



US00D799903S

(12) **United States Design Patent**
Hume

(10) **Patent No.:** **US D799,903 S**

(45) **Date of Patent:** **** Oct. 17, 2017**

(54) **FACETED GLASSWARE**

(71) Applicant: **True Fabrications, Inc.**, Seattle, WA (US)

(72) Inventor: **Ryan William Hume**, Seattle, WA (US)

(73) Assignee: **TRUE FABRICATIONS, INC.**, Seattle, WA (US)

(**) Term: **15 Years**

(21) Appl. No.: **29/596,965**

(22) Filed: **Mar. 13, 2017**

Related U.S. Application Data

(62) Division of application No. 29/544,709, filed on Nov. 5, 2015, now Pat. No. Des. 789,747.

(51) **LOC (10) Cl.** **07-01**

(52) **U.S. Cl.**
USPC **D7/598; D7/300; D7/316**

(58) **Field of Classification Search**

USPC D7/507, 509, 523, 524, 525, 526, 527, D7/528, 530, 531, 532, 533, 536, 537, D7/503, 510, 514, 515, 512, 608, 300, D7/598, 316; 220/592.16, 502.17, 220/495.03, 740; D3/202; D30/130, D30/121; 206/307, 217, 509; D9/904, D9/903, 651; D11/90, 164, 146, 143, D11/144, 145; D6/403
CPC A47G 19/22; A47G 19/2205; A47G 19/2227; A47G 23/0233; A45F 3/20; B65D 1/265

See application file for complete search history.

(56) **References Cited**

U.S. PATENT DOCUMENTS

648,182 A * 4/1900 Webb B65D 3/08 229/106
1,659,383 A * 2/1928 Schott B01L 3/08 215/371

D81,167 S * 5/1930 Teague D9/566
D289,142 S * 4/1987 Bijaoui D9/439
D369,758 S * 5/1996 Remidio D11/90
D372,427 S * 8/1996 Jago D9/500
D466,042 S * 11/2002 Cohen D11/90
D477,227 S * 7/2003 Goswell D9/529
D485,420 S * 1/2004 Cannon D11/90
D501,694 S * 2/2005 Cannon D11/90
D502,886 S * 3/2005 Vroomen D11/90
D513,393 S * 1/2006 Voorn D11/90
D521,370 S * 5/2006 Beutler D9/414

(Continued)

Primary Examiner — Marianne Pandozzi

Assistant Examiner — Jae Liang

(74) *Attorney, Agent, or Firm* — Vicky Kaur Bajwa

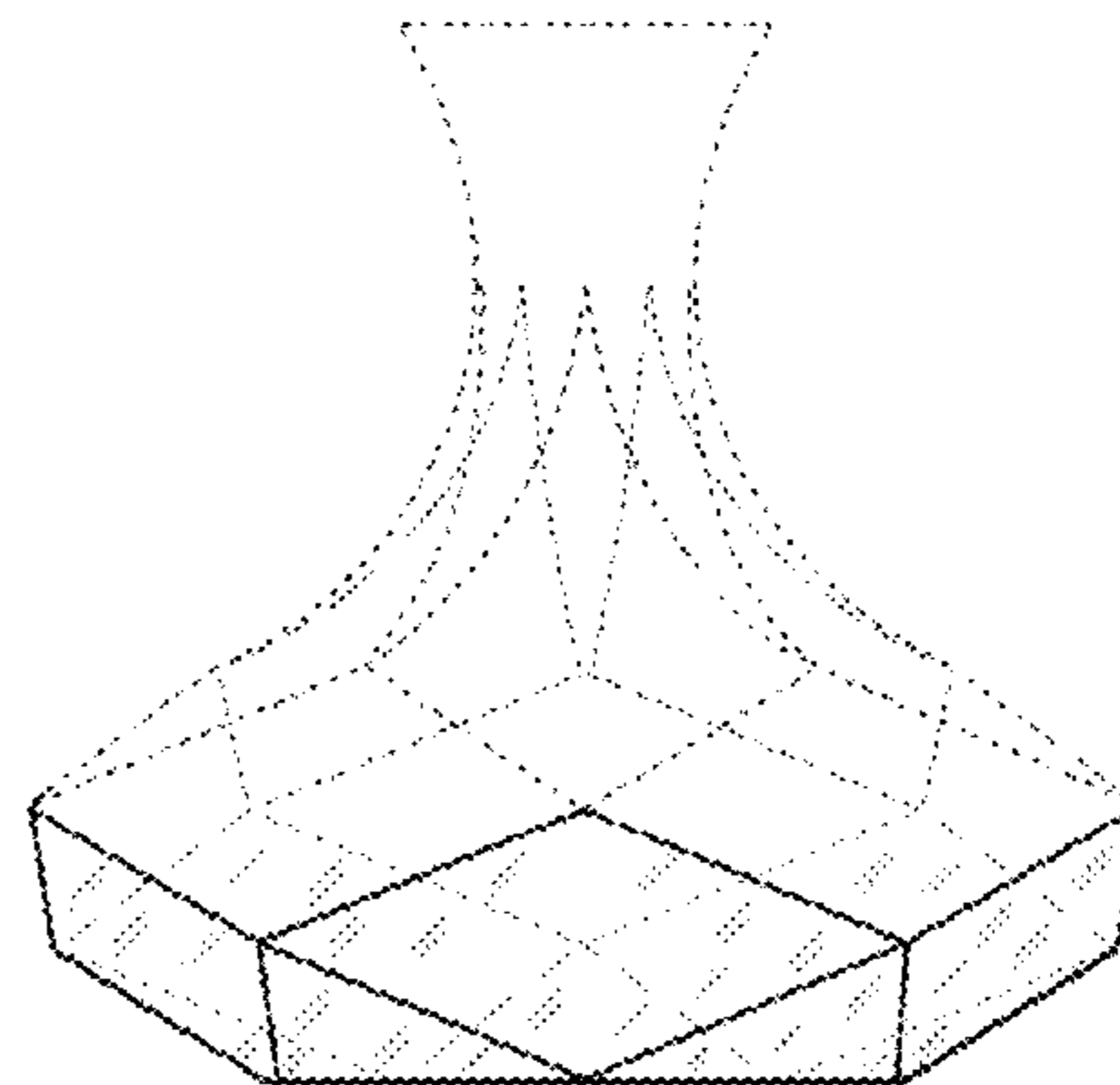
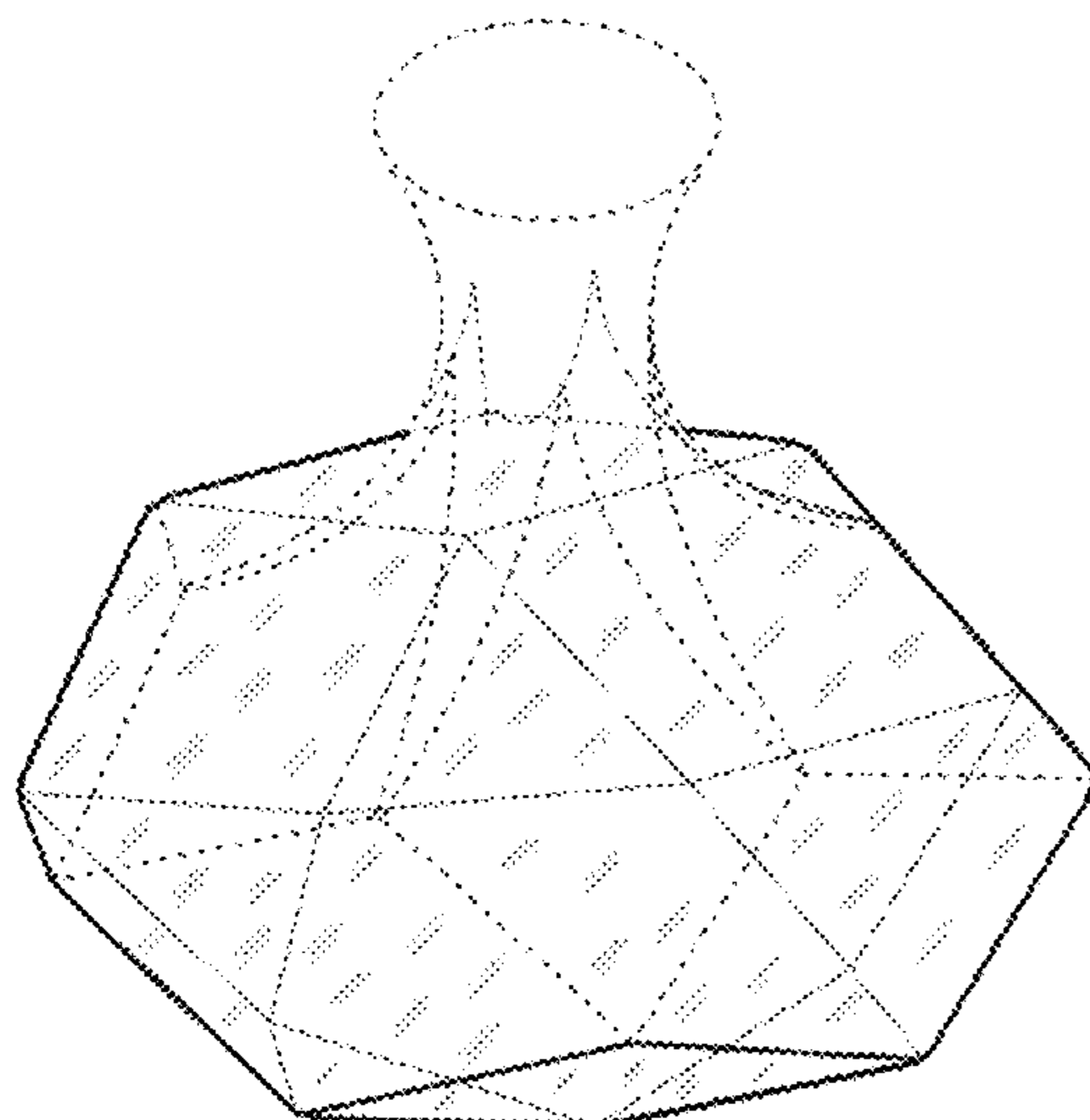
(57) **CLAIM**

The ornamental design for a faceted glassware, as shown and described.

DESCRIPTION

FIG. 1 is a top perspective view of a faceted glassware showing my new design;
FIG. 2 is a front elevational view of the faceted glassware of FIG. 1;
FIG. 3 is a rear elevational view of the faceted glassware of FIG. 1;
FIG. 4 is a right side elevational view of the faceted glassware of FIG. 1;
FIG. 5 is a left side elevational view of the faceted glassware of FIG. 1;
FIG. 6 is a top view of the faceted glassware of FIG. 1; and, FIG. 7 is a bottom view of the faceted glassware of FIG. 1. The broken lines in the drawing depict portions of the faceted glassware that form no part of the claimed design.

1 Claim, 4 Drawing Sheets



(56)

References Cited

U.S. PATENT DOCUMENTS

D525,559	S *	7/2006	Aoyagi	D11/90
D546,228	S *	7/2007	Cohen	D11/90
D601,029	S *	9/2009	Wagner	D9/535
D632,027	S *	2/2011	Johnston	D30/121
D666,119	S *	8/2012	Liberman	D11/90
D708,789	S *	7/2014	Schlatter	D28/87
D714,653	S *	10/2014	Tussy	D9/651
D727,670	S *	4/2015	Rokos	D7/300
D732,889	S *	6/2015	Eyal	D7/396.2
D734,674	S *	7/2015	Tussy	D9/651
D734,894	S *	7/2015	Schlatter	D28/76
D737,689	S *	9/2015	Monteparo	D9/435
D751,863	S *	3/2016	Eyal	D7/507
D752,291	S *	3/2016	Schlatter	D28/87
D760,545	S *	7/2016	Kayiwa	D7/514
D767,442	S *	9/2016	Berdan	D11/90
D769,769	S *	10/2016	Hasenfeld	D11/90
D774,833	S *	12/2016	Likar	D7/558
2011/0266248	A1 *	11/2011	Popiel	B65D 1/0223 215/316

* cited by examiner

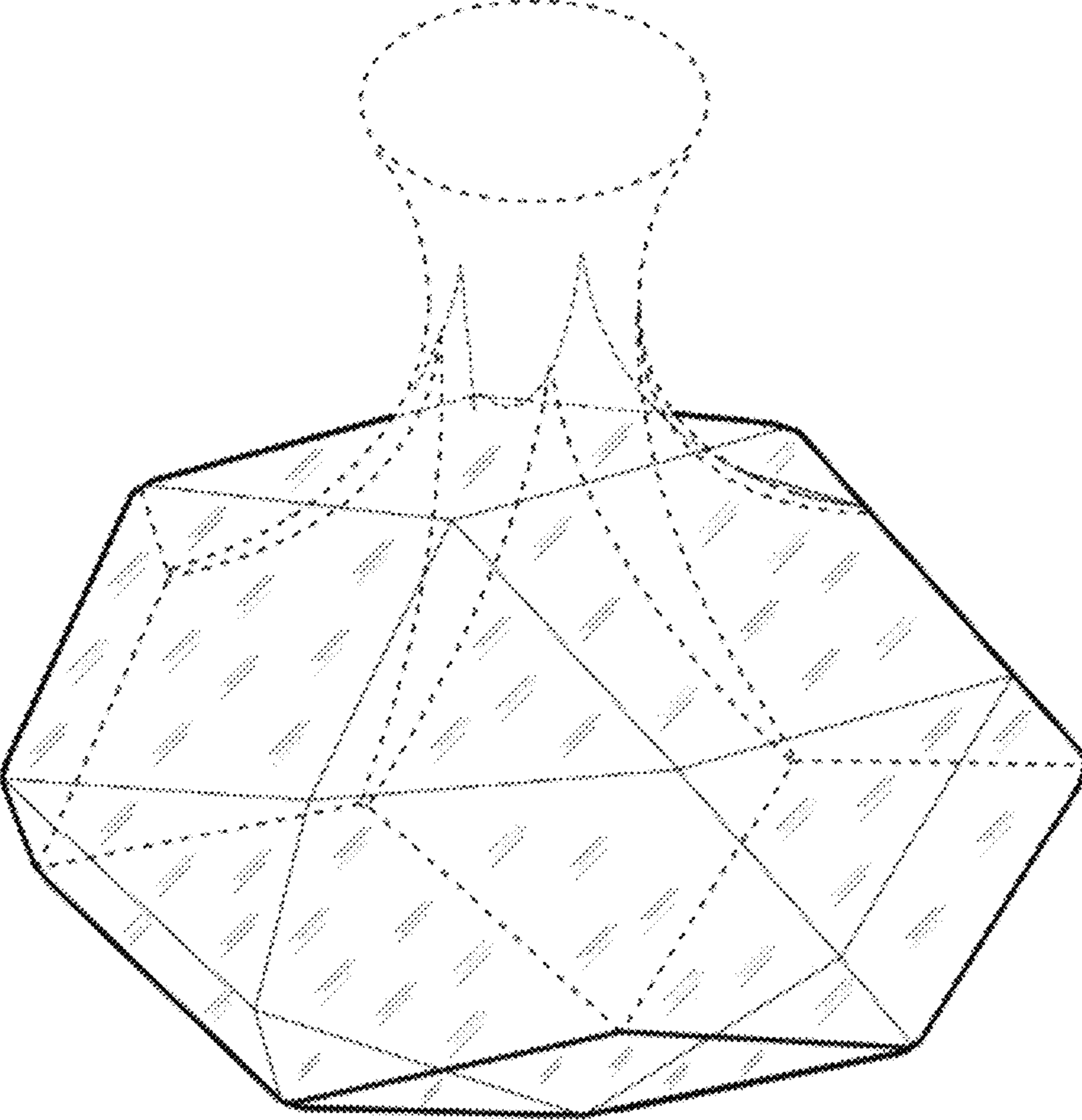


FIG. 1

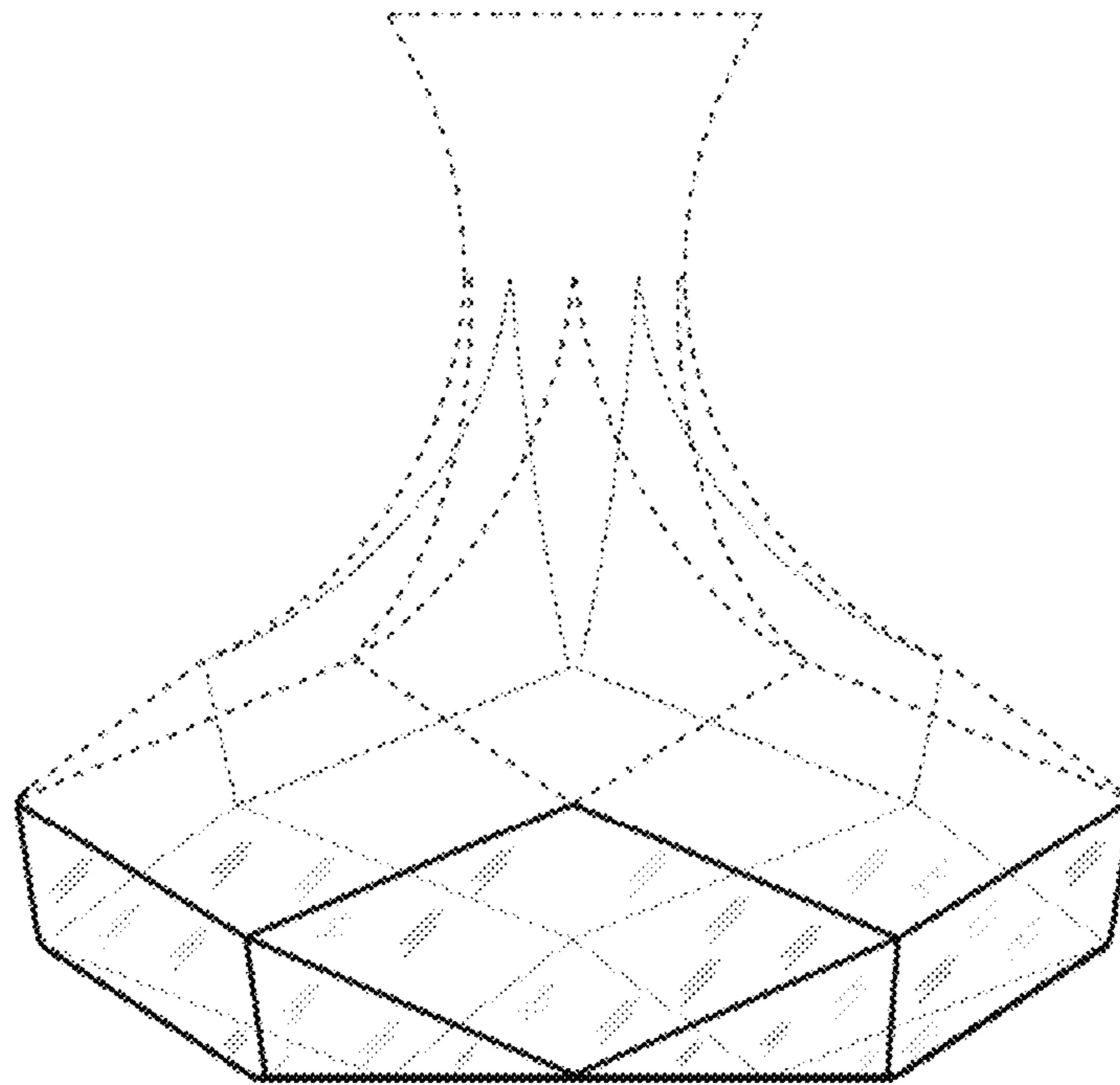


FIG. 2

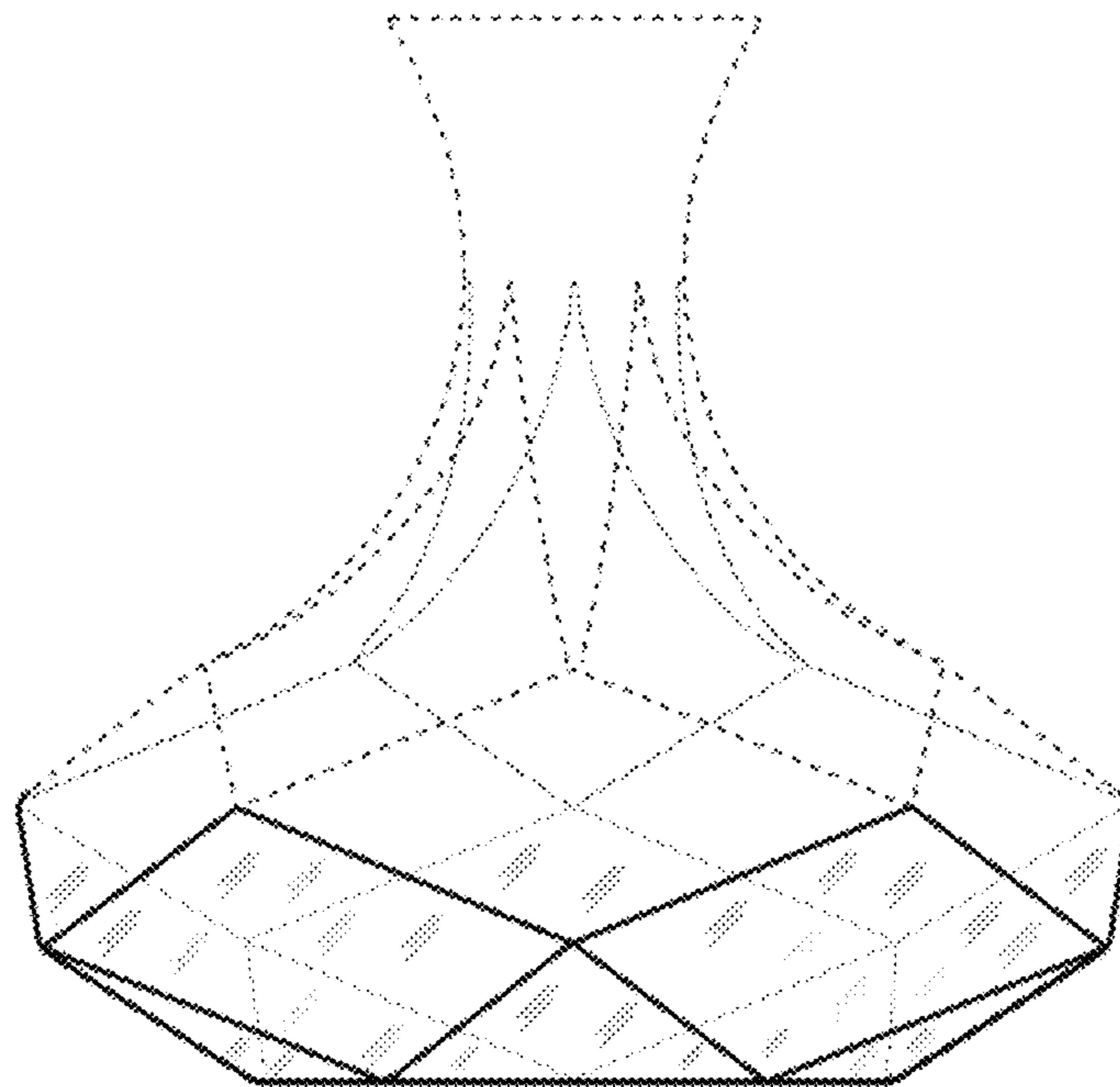


FIG. 3

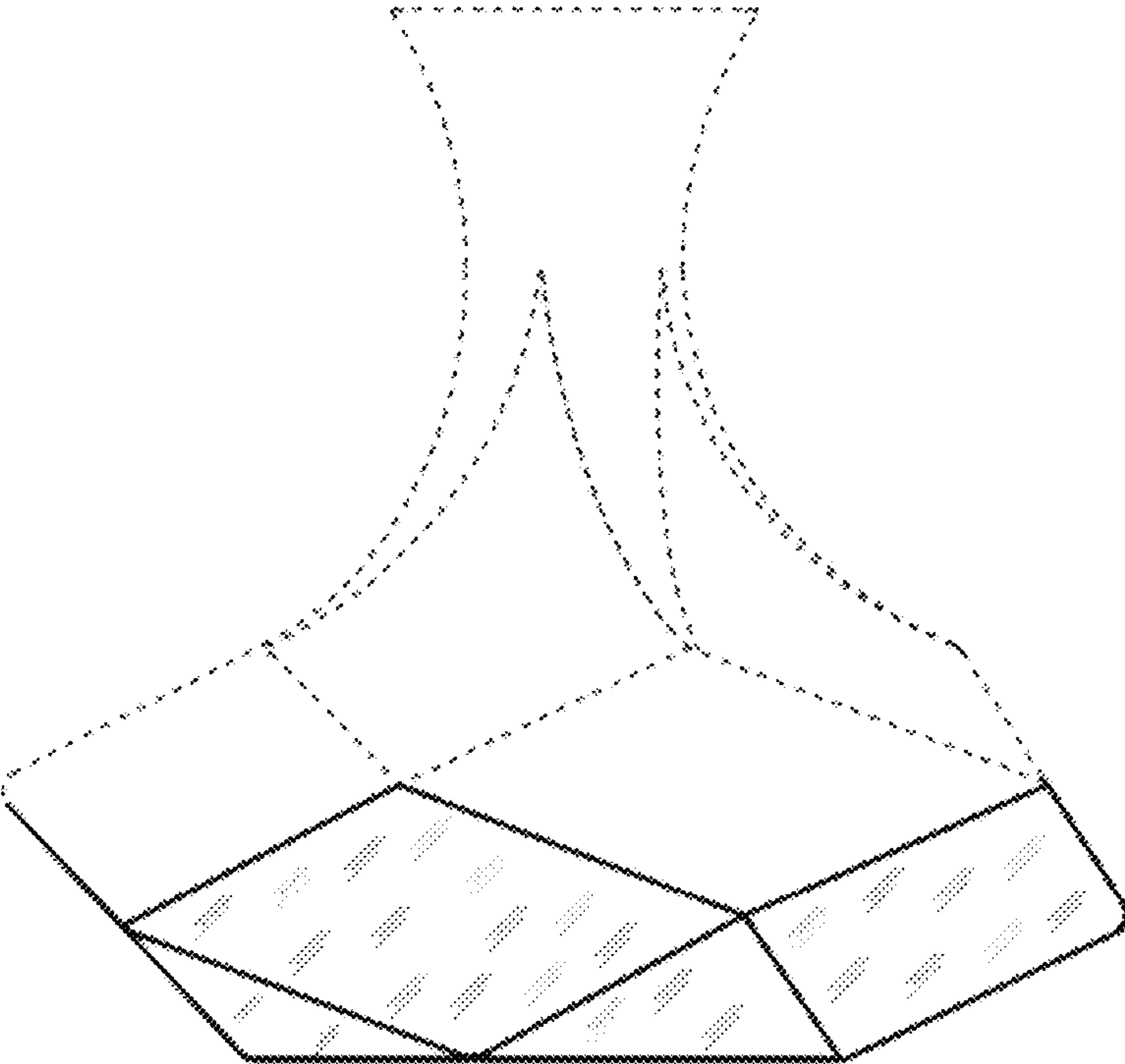


FIG. 4

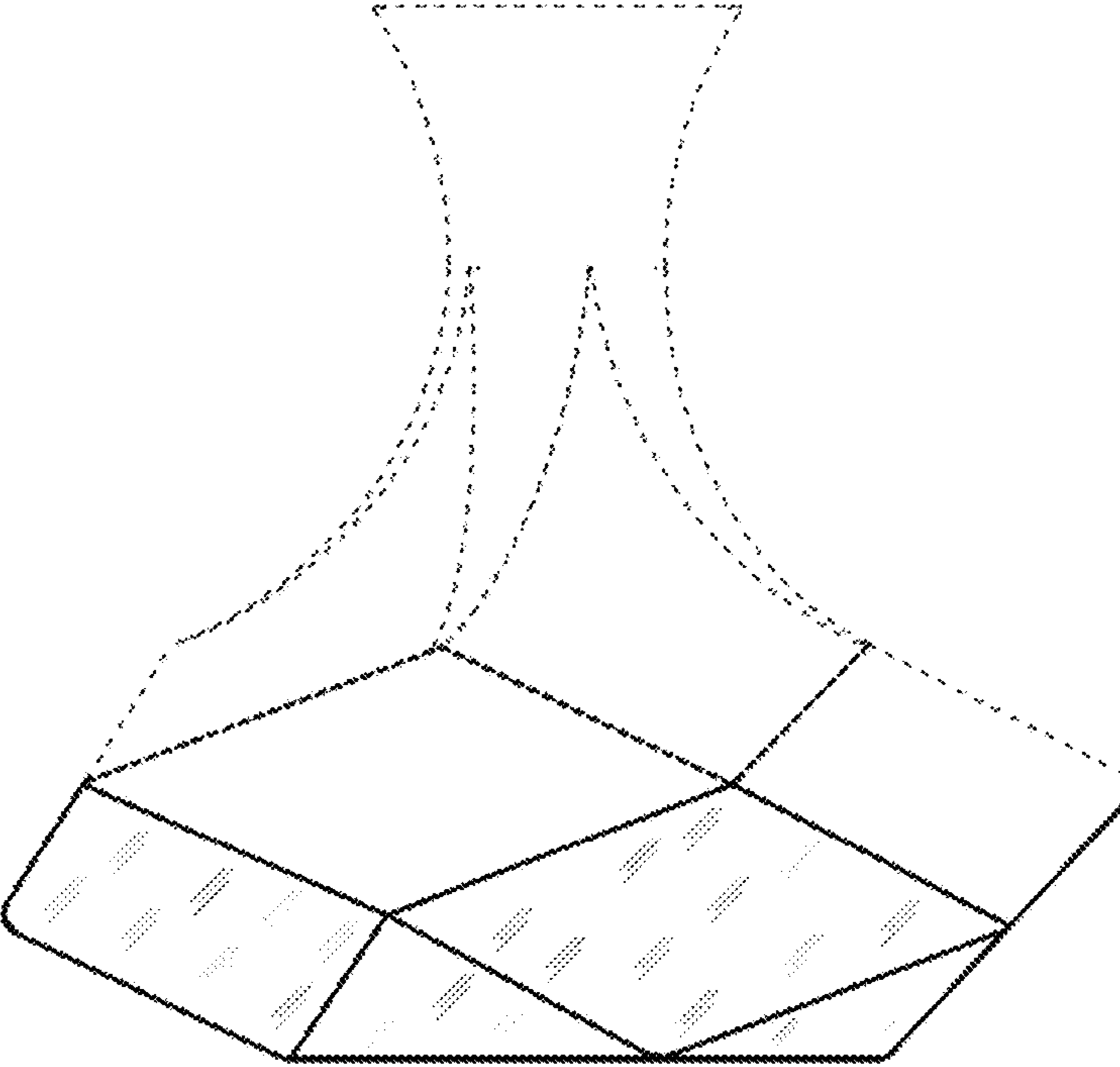


FIG. 5

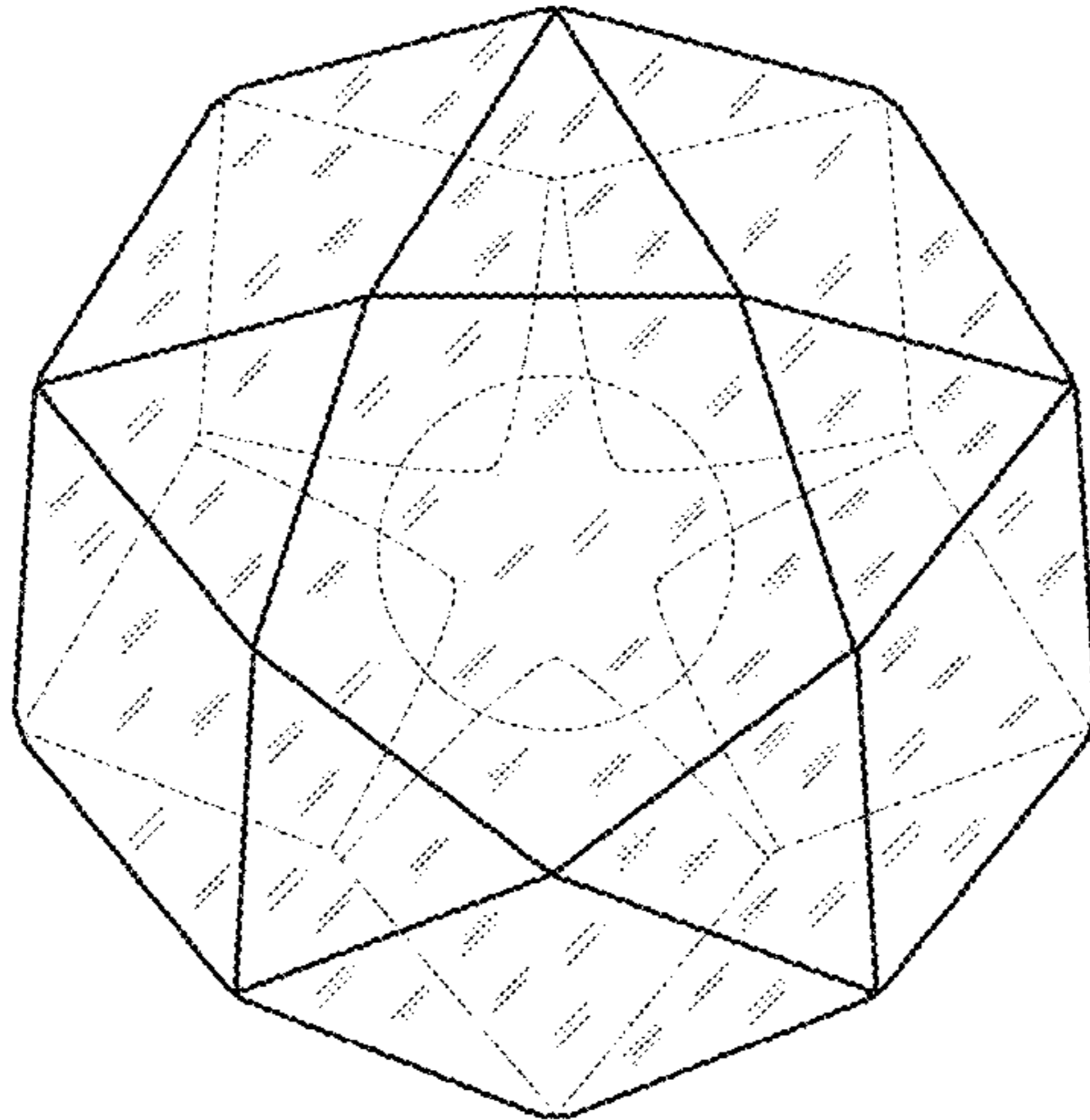


FIG. 6

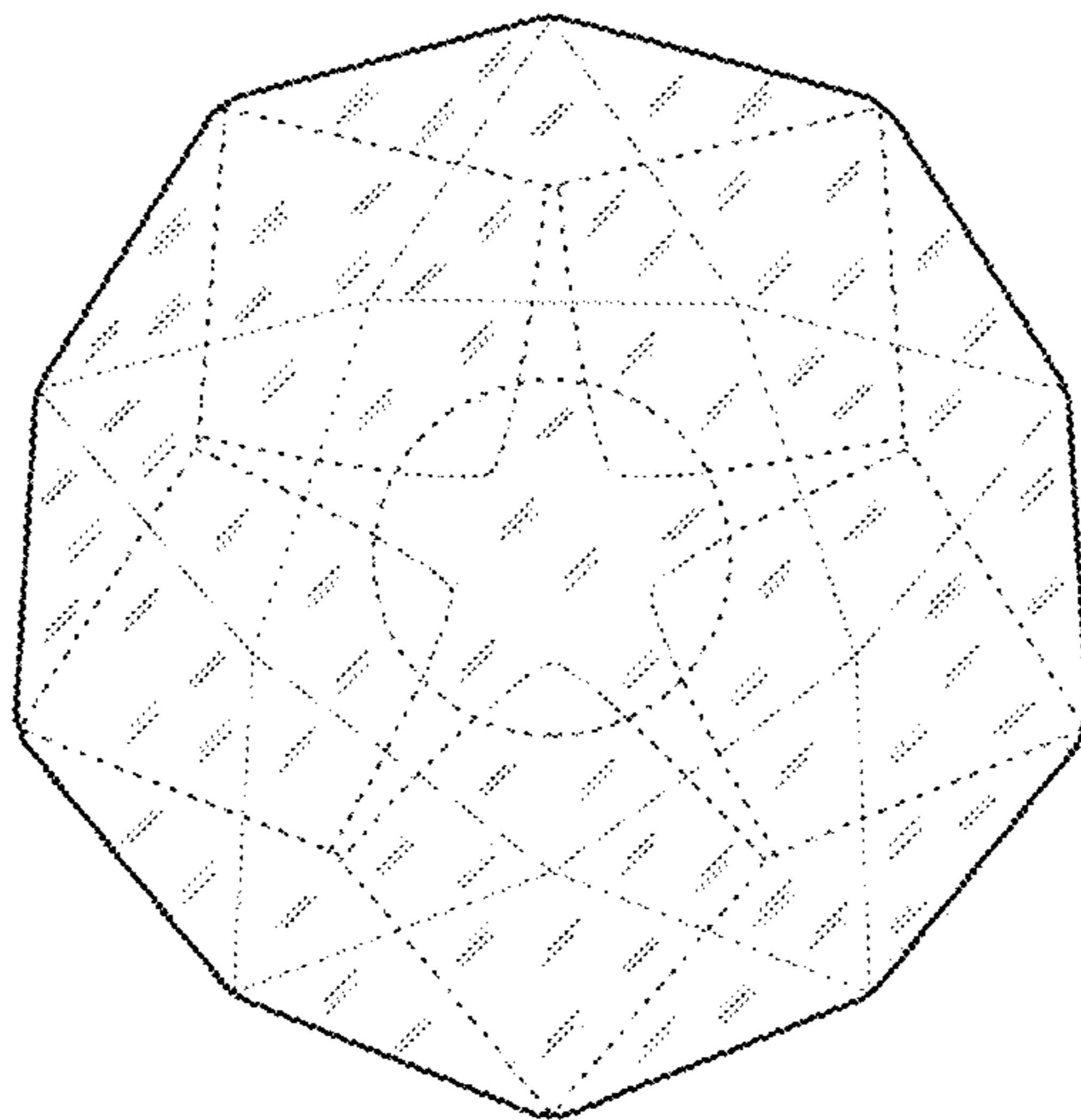


FIG. 7