



US00D799895S

(12) **United States Design Patent**  
**Westrick**

(10) **Patent No.:** **US D799,895 S**

(45) **Date of Patent:** **\*\* Oct. 17, 2017**

(54) **BOTTLE POURER**

(71) Applicant: **True Fabrications, Inc.**, Seattle, WA (US)

(72) Inventor: **Amy Jo Westrick**, Seattle, WA (US)

(73) Assignee: **TRUE FABRICATIONS, INC.**, Seattle, WA (US)

(\*\*) Term: **15 Years**

(21) Appl. No.: **29/586,195**

(22) Filed: **Dec. 1, 2016**

(51) **LOC (10) Cl.** ..... **07-99**

(52) **U.S. Cl.**  
USPC ..... **D7/398**; D9/440

(58) **Field of Classification Search**  
USPC ..... D6/556; D11/143, 152; D34/1, 2; D99/5, 19  
CPC ..... A47J 36/14  
See application file for complete search history.

(56) **References Cited**

**U.S. PATENT DOCUMENTS**

D243,357 S	*	2/1977	Gross	.....	D11/152
D359,683 S	*	6/1995	Beach	.....	D9/434
D399,451 S	*	10/1998	Durbin	.....	D11/152
D489,642 S	*	5/2004	Brumlow	.....	D11/143
D528,417 S	*	9/2006	Matsuda	.....	D9/439
D529,799 S	*	10/2006	Jensen	.....	D7/397
D580,756 S	*	11/2008	Seebold	.....	D9/439
D587,166 S	*	2/2009	White	.....	D11/152
D669,814 S	*	10/2012	Plucinski	.....	D11/152

D717,200 S	*	11/2014	Thuma	.....	D11/152
D717,201 S	*	11/2014	Thuma	.....	D11/152
D730,607 S	*	5/2015	Compton	.....	D34/2

\* cited by examiner

*Primary Examiner* — Daniel Bui

*Assistant Examiner* — Andrew Kerr

(74) *Attorney, Agent, or Firm* — Vicky Kaur Bajwa

(57) **CLAIM**

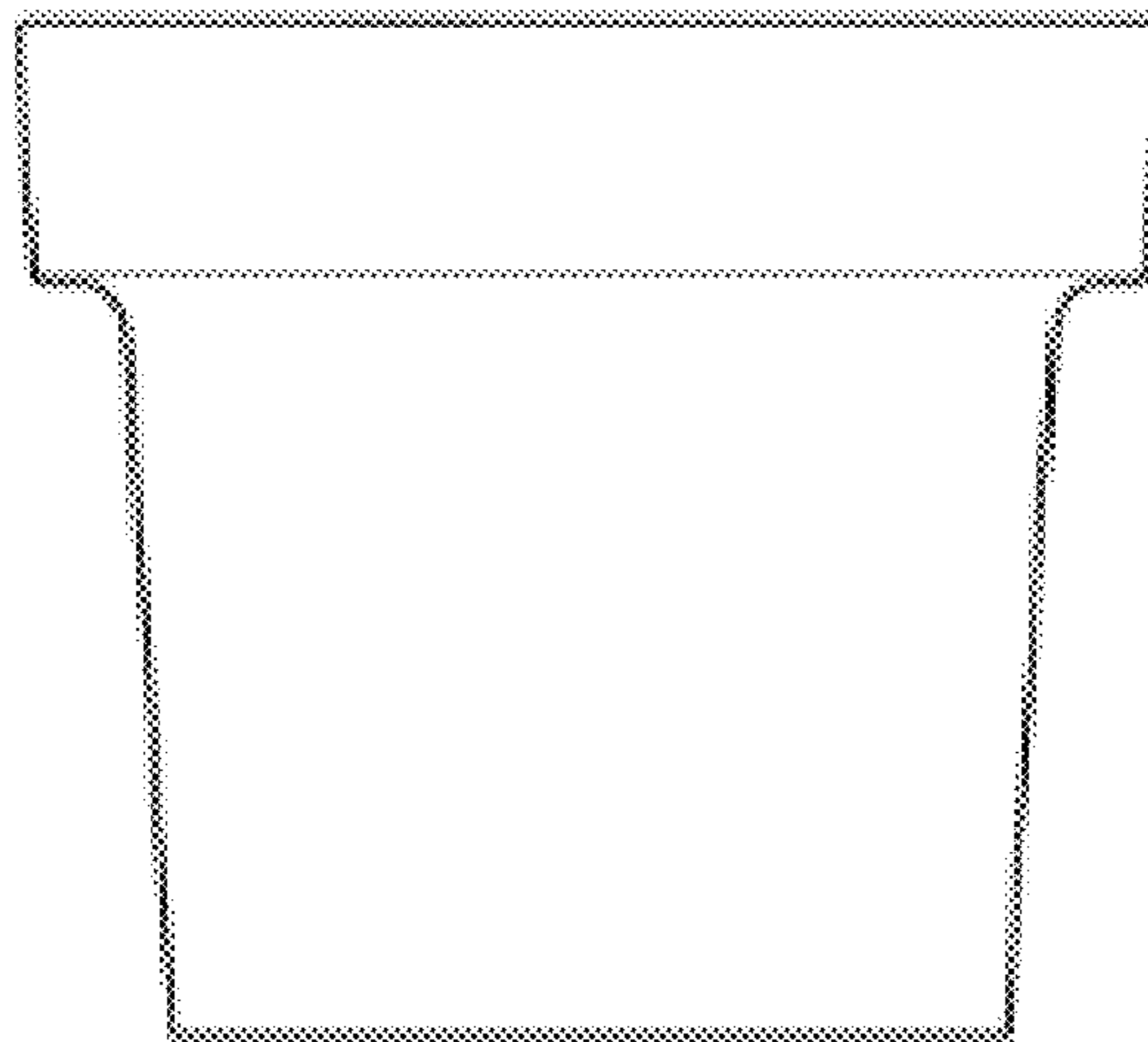
The ornamental design for a bottle pourer, as shown and described.

**DESCRIPTION**

FIG. 1 is a front elevation view of a bottle pourer showing our new design; the rear being a mirror image thereof; FIG. 2 is a left side elevation view of the bottle pourer of FIG. 1; the right side being a mirror image thereof; FIG. 3 is a bottom view of the bottle pourer of FIG. 1; FIG. 4 is a top view of the bottle pourer of FIG. 1; FIG. 5 is a top perspective view of the bottle pourer of FIG. 1; FIG. 6 is a bottom perspective view of the bottle pourer of FIG. 1; FIG. 7 is a front elevation view of an exemplary embodiment of the bottle pourer; the rear being a mirror image thereof; FIG. 8 is a left side elevation view of the bottle pourer of FIG. 7; the right side being a mirror image thereof; FIG. 9 is a bottom view of the bottle pourer of FIG. 7; and, FIG. 10 is a top is top perspective view of the bottle pourer of FIG. 7.

The broken lines illustrate environmental structure and form no part of the claimed design.

**1 Claim, 2 Drawing Sheets**



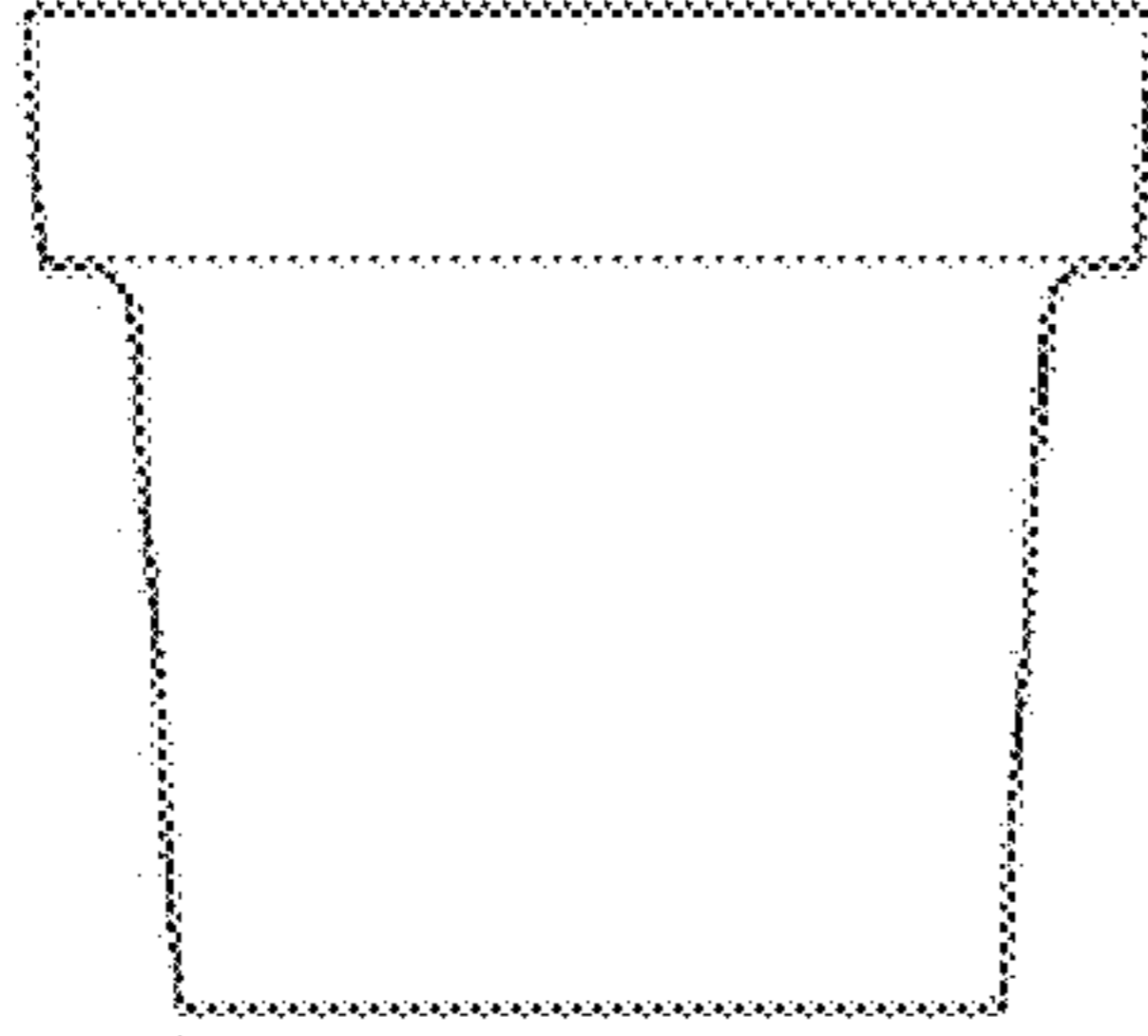


FIG. 1

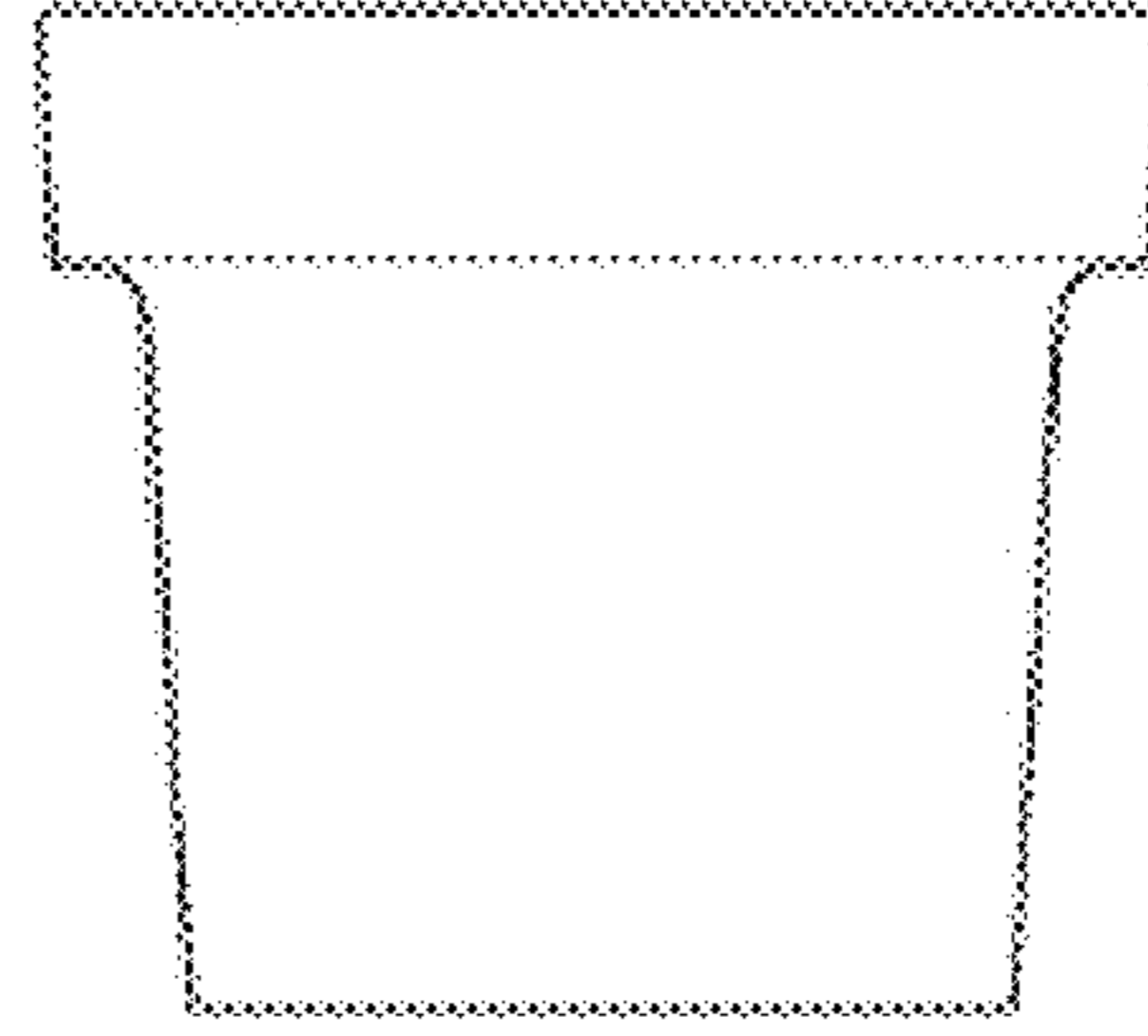


FIG. 2

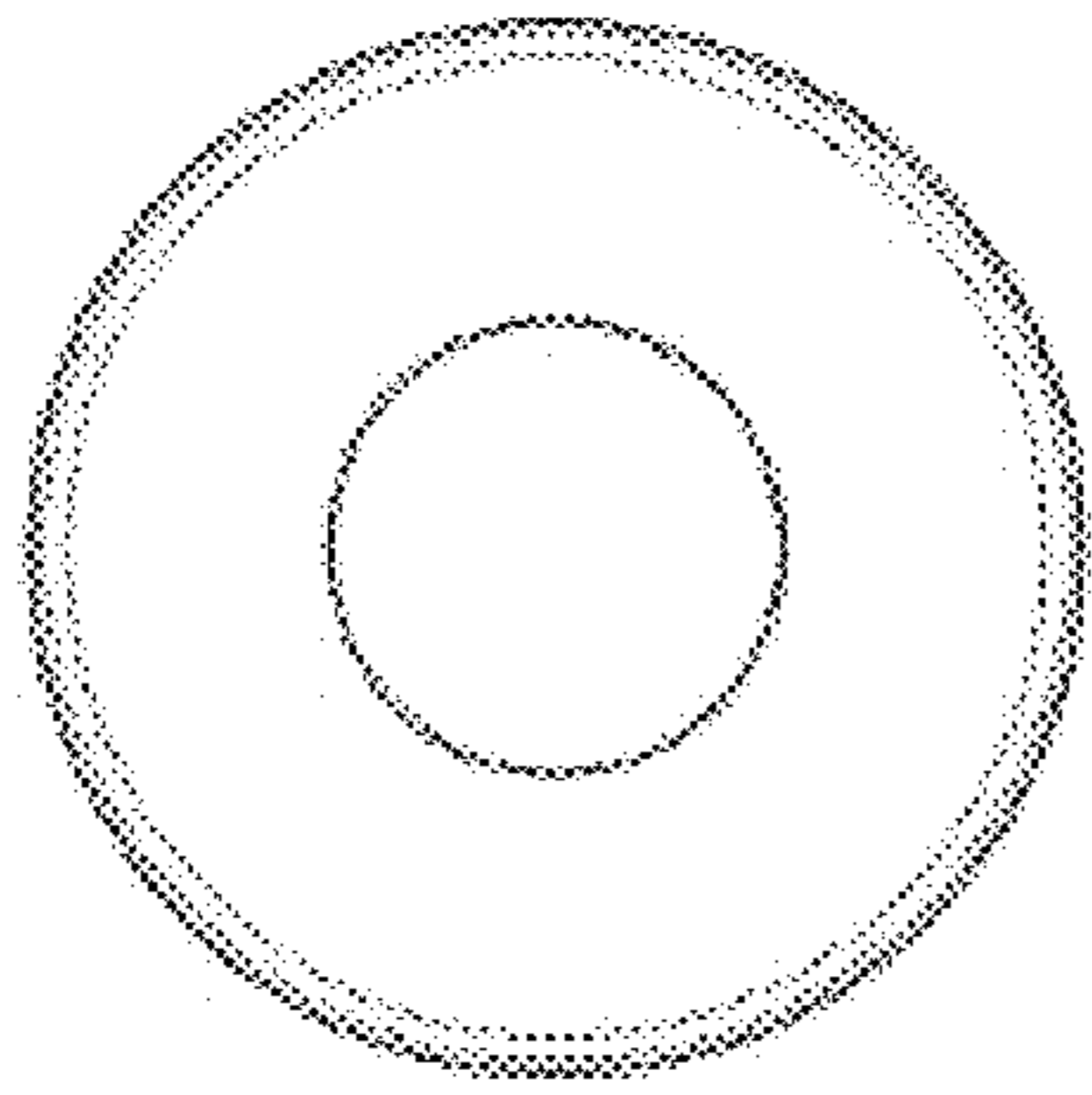


FIG. 3

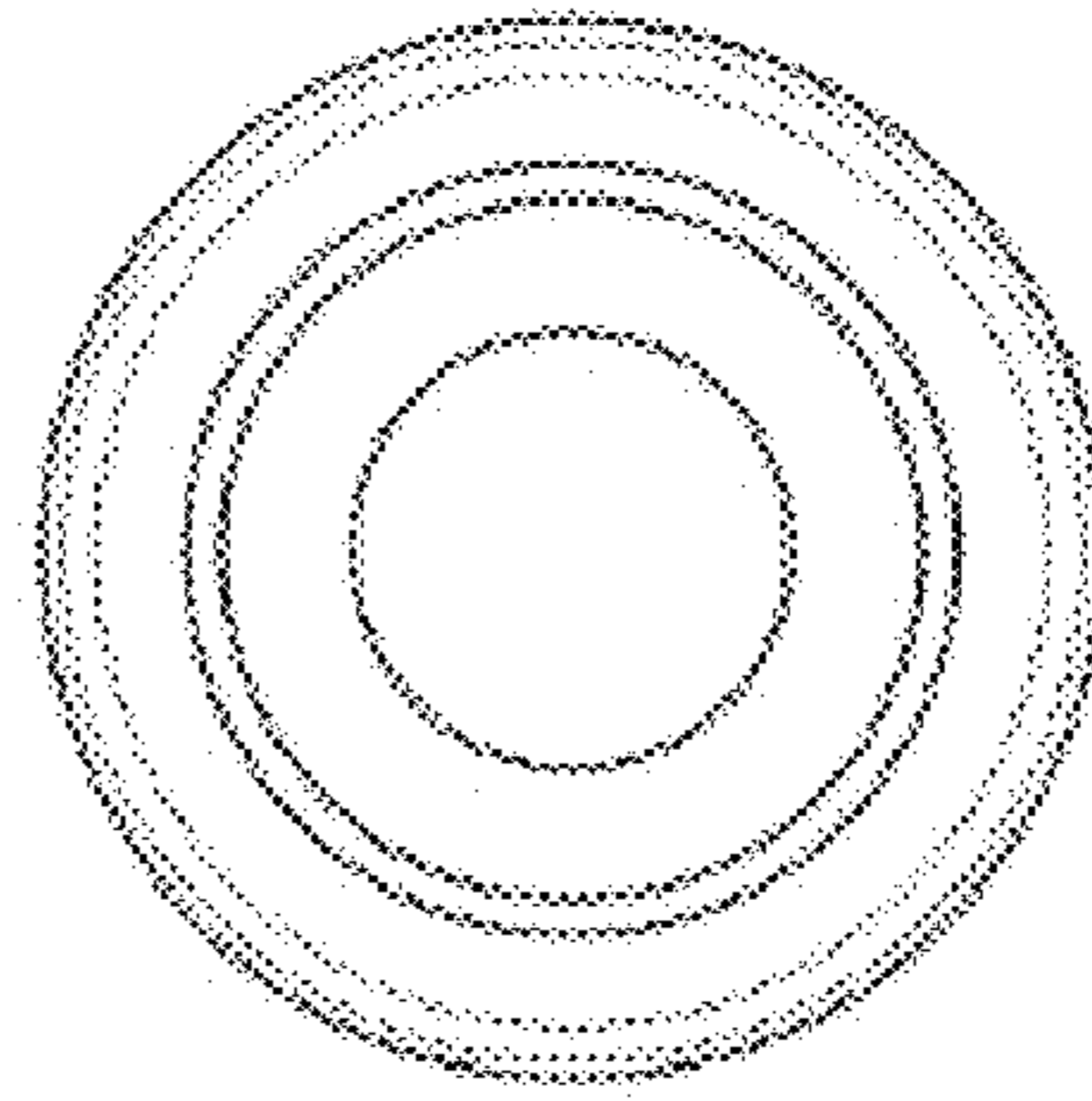


FIG. 4

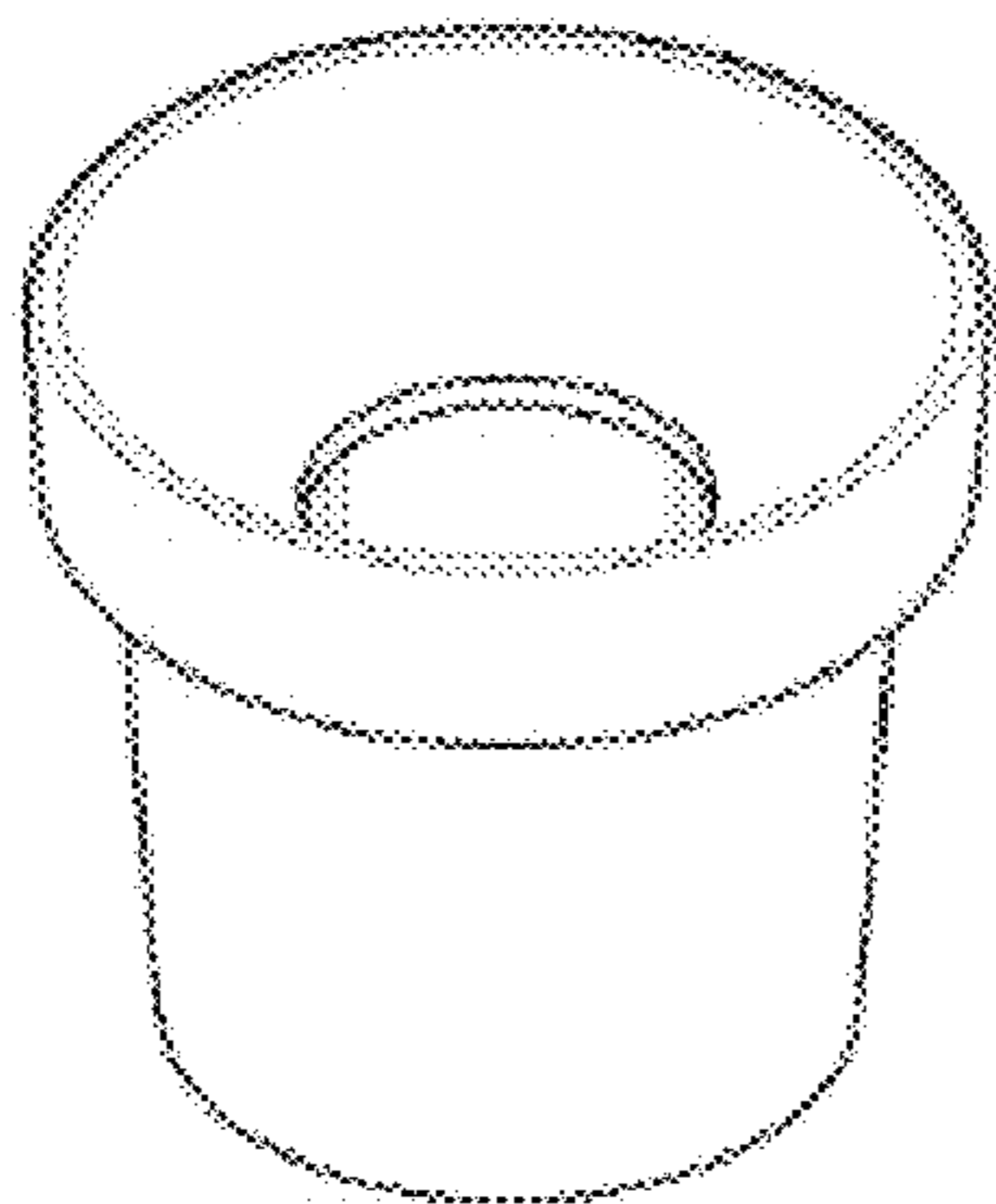


FIG. 5

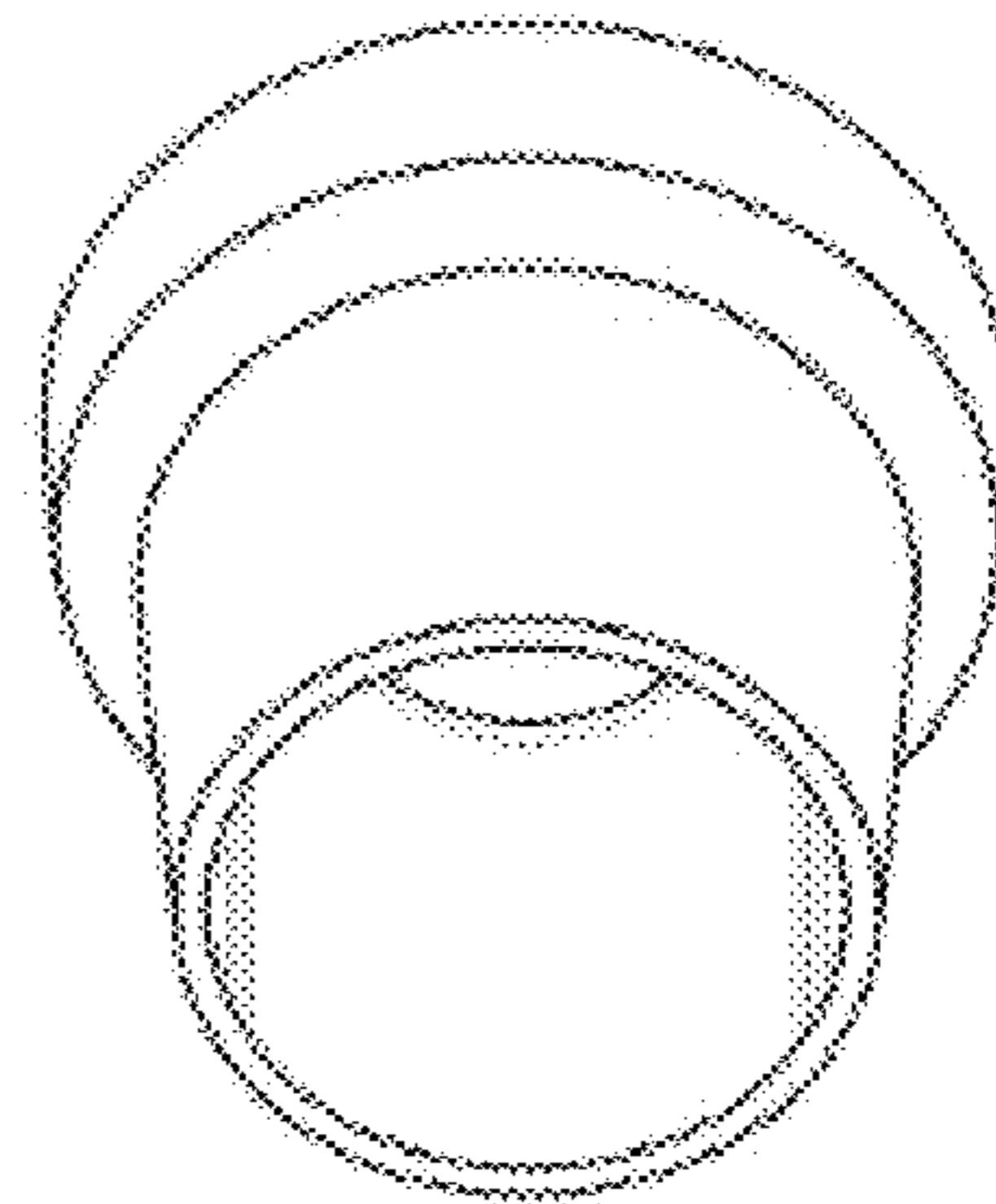


FIG. 6

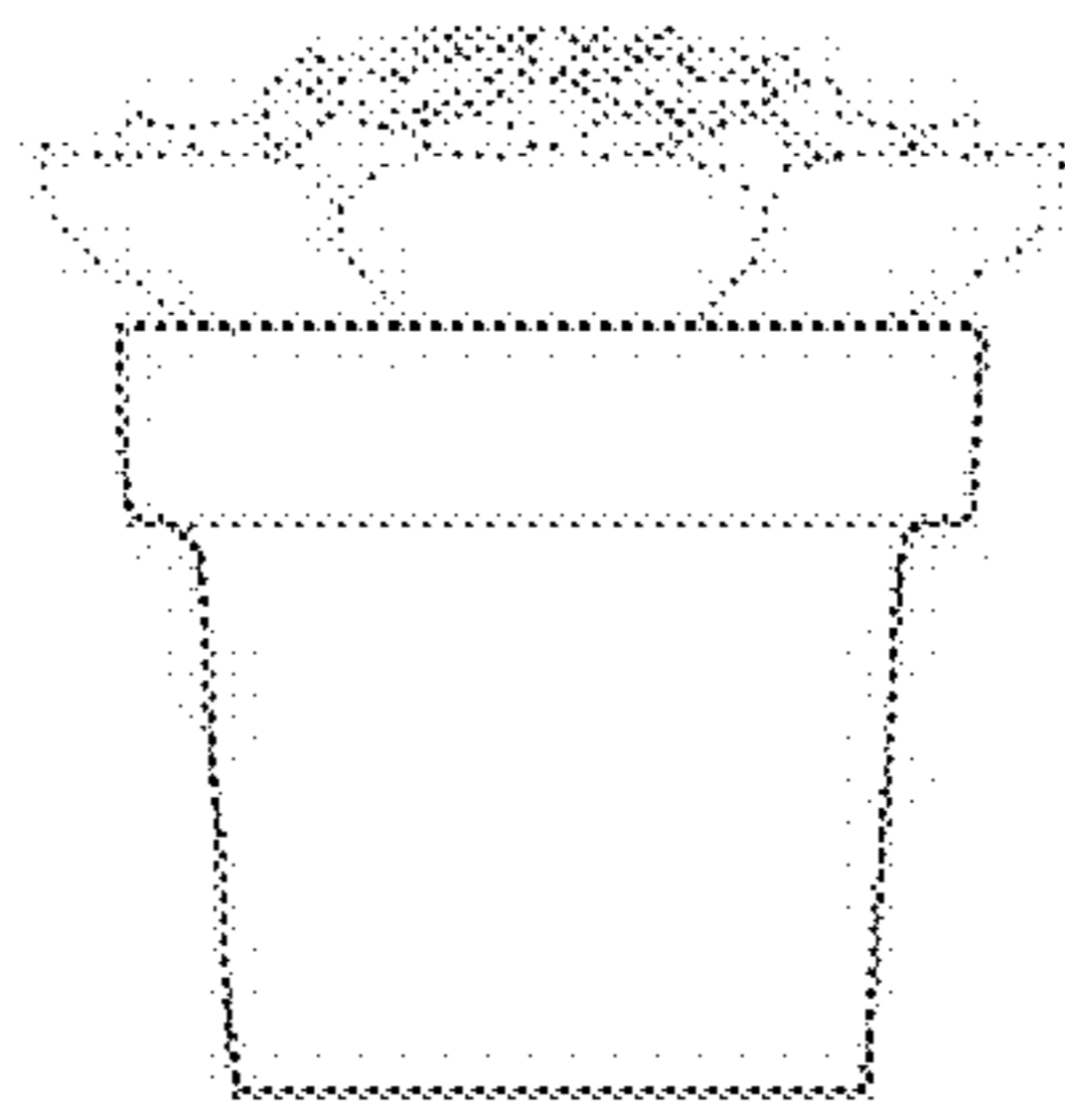


FIG. 7

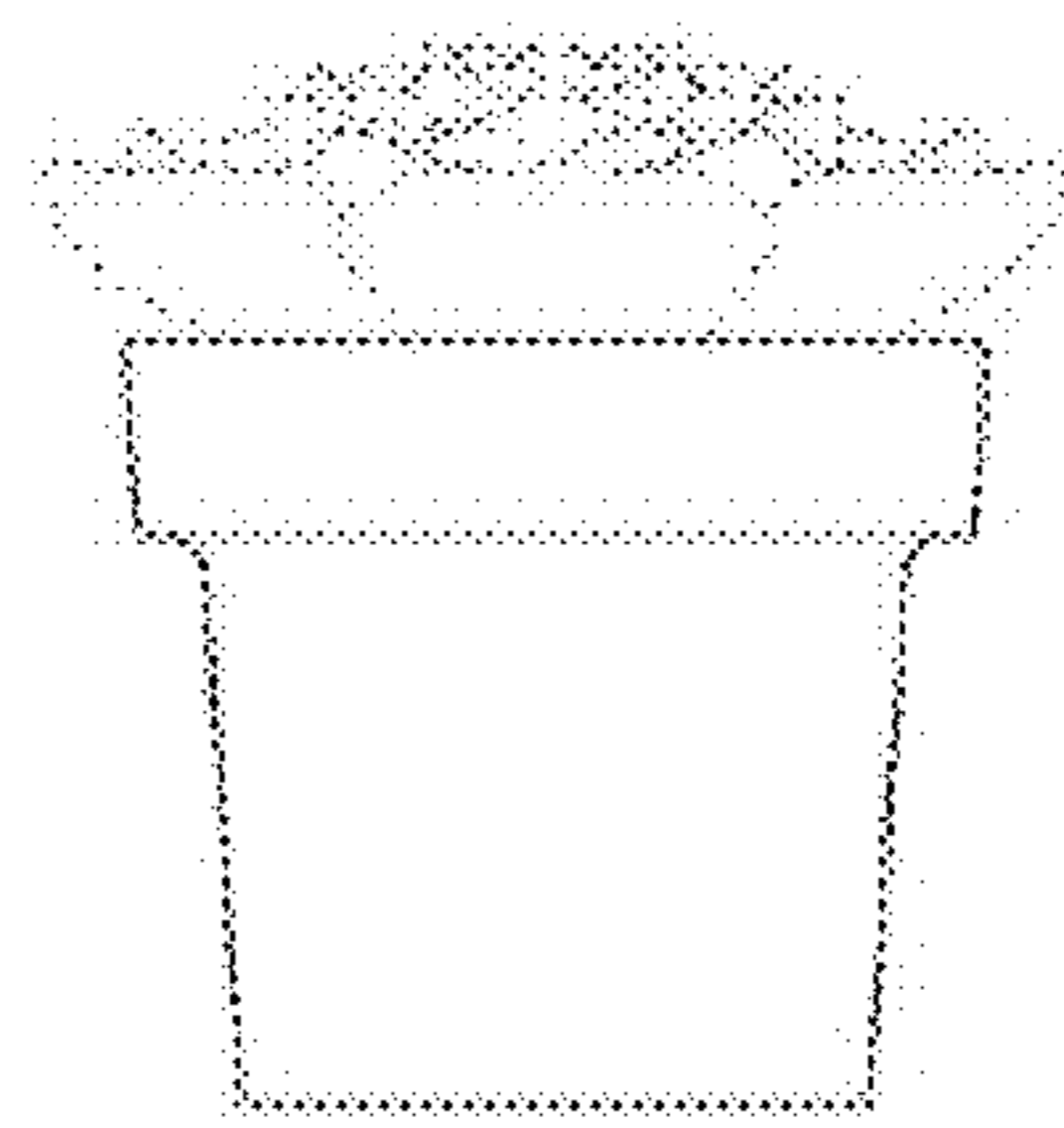


FIG. 8

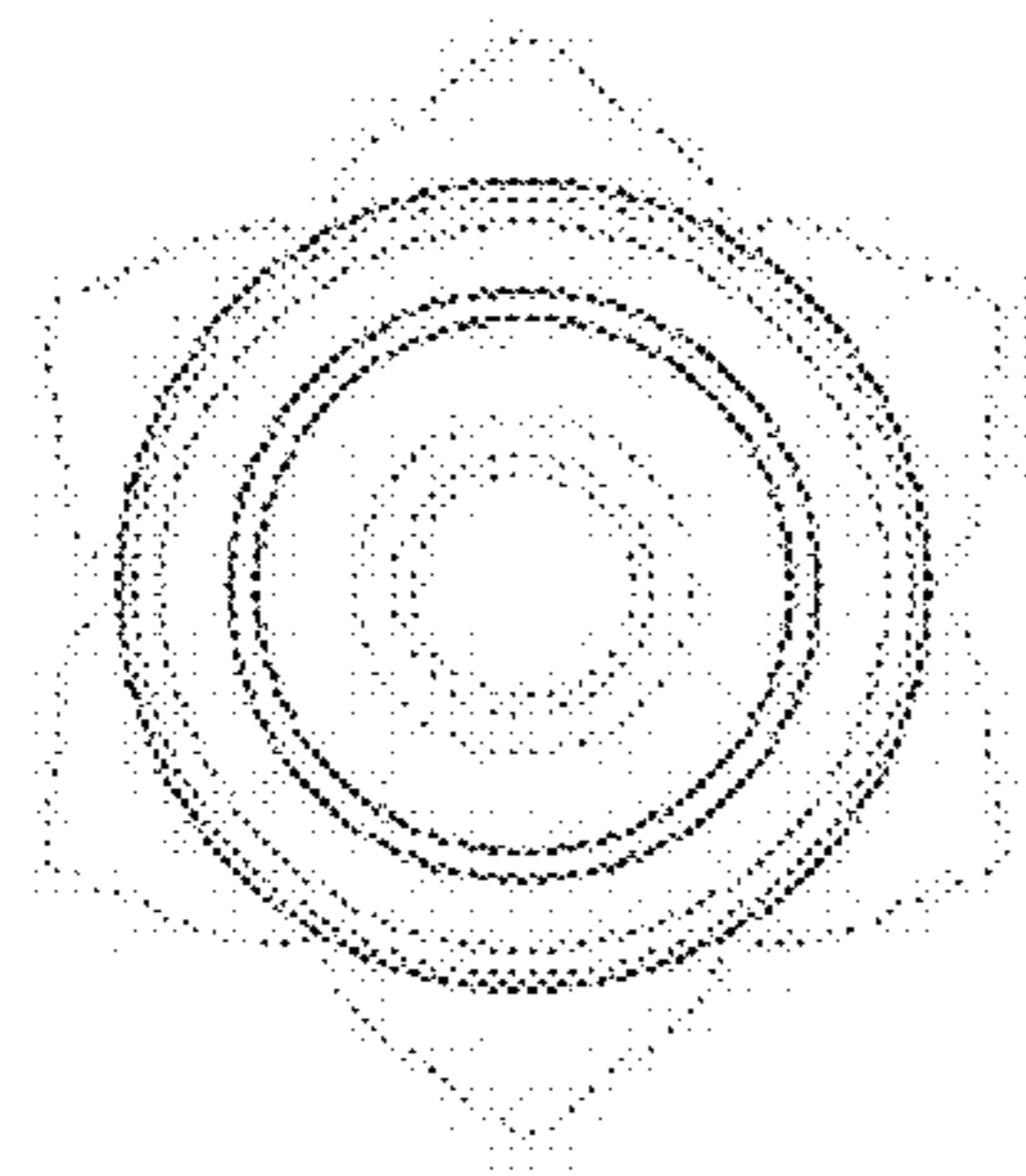


FIG. 9

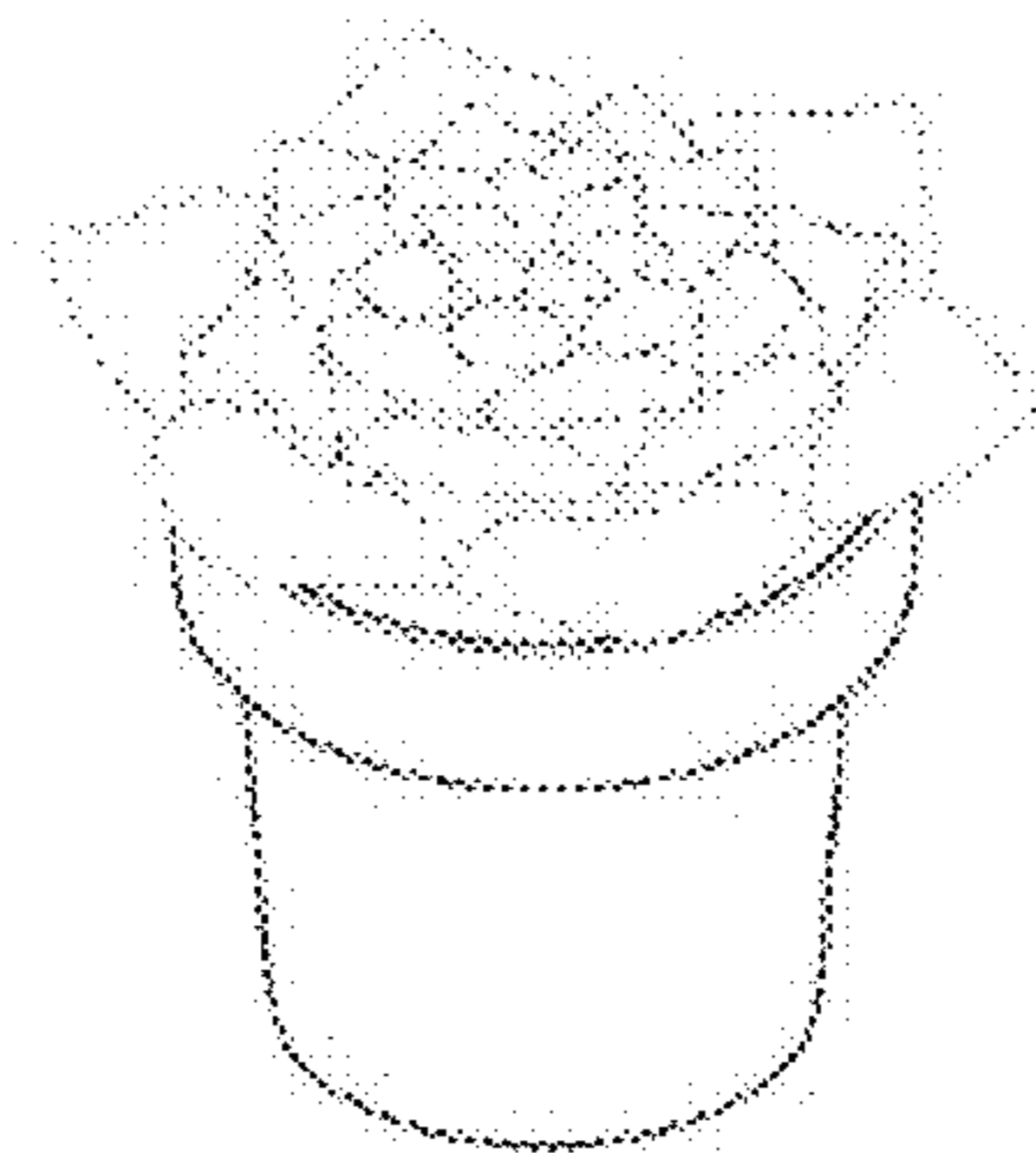


FIG. 10