

US00D799891S

(12) **United States Design Patent** (10) **Patent No.:** **US D799,891 S**  
**Lecoutre et al.** (45) **Date of Patent:** **\*\* Oct. 17, 2017**

(54) **BLENDER**

(71) Applicant: **NOVIS AG**, Luxembourg (LU)

(72) Inventors: **Kévin Lecoutre**, Biel/Bienne (CH);  
**Luigi Laflamme**, Biel/Bienne (CH)

(\*\*) Term: **15 Years**

(21) Appl. No.: **35/500,572**

(22) Filed: **Jan. 8, 2016**

(80) **Hague Agreement Data**

Int. Filing Date: **Jan. 8, 2016**

Int. Reg. No.: **DM/089112**

Int. Reg. Date: **Jan. 8, 2016**

Int. Reg. Pub. Date: **Feb. 5, 2016**

(51) **LOC (10) Cl.** ..... **31-00**

(52) **U.S. Cl.**  
USPC ..... **D7/378**

(58) **Field of Classification Search**

USPC ..... D7/372, 376-386, 412-413, 669, 679,  
D7/693-694

CPC ..... A47J 43/046; A47J 43/0465; A47J 43/06;  
A47J 43/0716; A47J 43/0722; B01F  
7/162; B01F 3/12

See application file for complete search history.

(56) **References Cited**

U.S. PATENT DOCUMENTS

D450,978 S \* 11/2001 Smith ..... D7/378  
D466,760 S \* 12/2002 Baerenrodt ..... D7/378

D611,760 S \* 3/2010 Ball ..... D7/378  
D625,144 S \* 10/2010 Moore ..... D7/376  
D638,256 S \* 5/2011 Wu ..... D7/376  
D642,858 S \* 8/2011 Lazzer ..... D7/376  
D647,357 S \* 10/2011 Audette ..... D7/376  
D654,305 S \* 2/2012 Gursel ..... D7/376  
D677,976 S \* 3/2013 Palermo ..... D7/376  
D731,234 S \* 6/2015 Weaden ..... D7/376  
D745,317 S \* 12/2015 Dichraff ..... D7/376  
D747,135 S \* 1/2016 Ha ..... D7/376

\* cited by examiner

*Primary Examiner* — Sheryl Lane

*Assistant Examiner* — Nicole Shiflet

(74) *Attorney, Agent, or Firm* — Ewers & Hasselmann  
PLLC

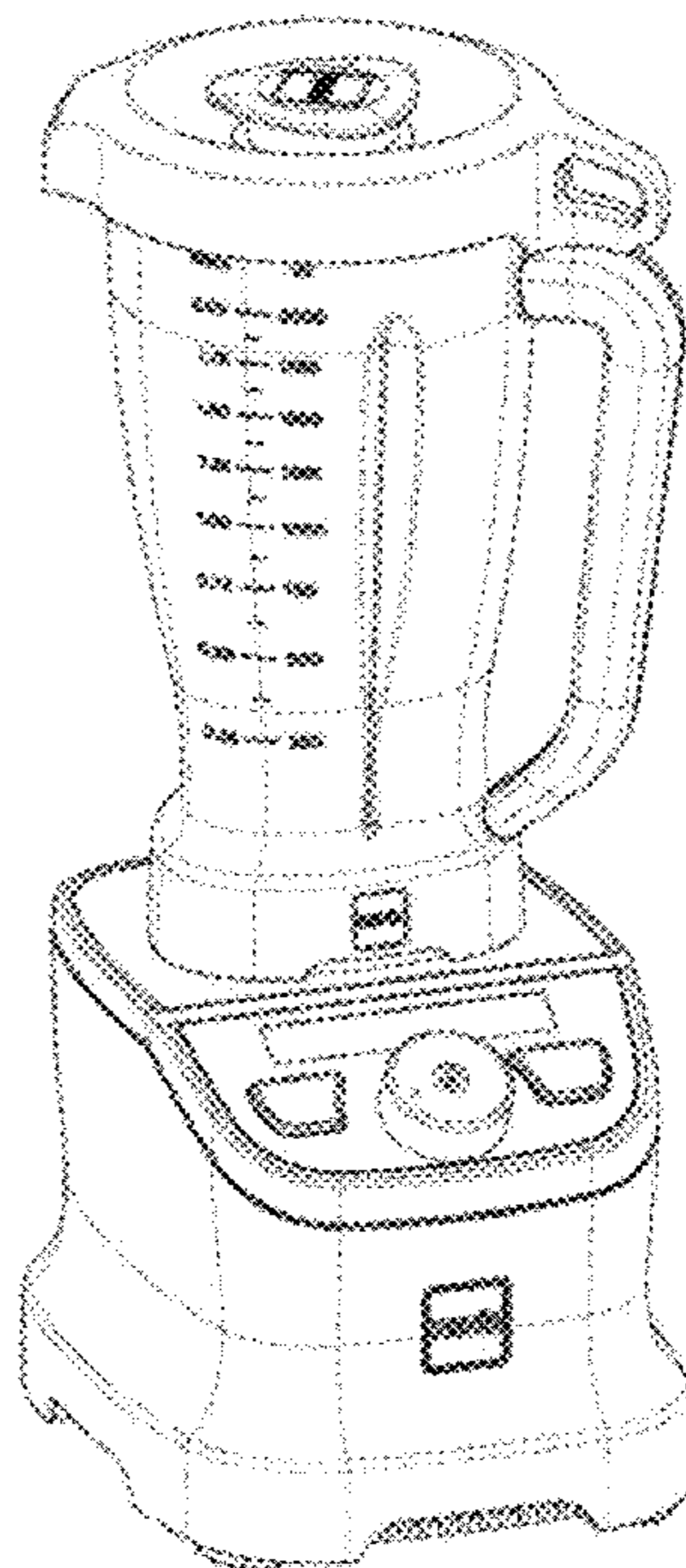
(57) **CLAIM**

The ornamental design for a blender, as shown and described.

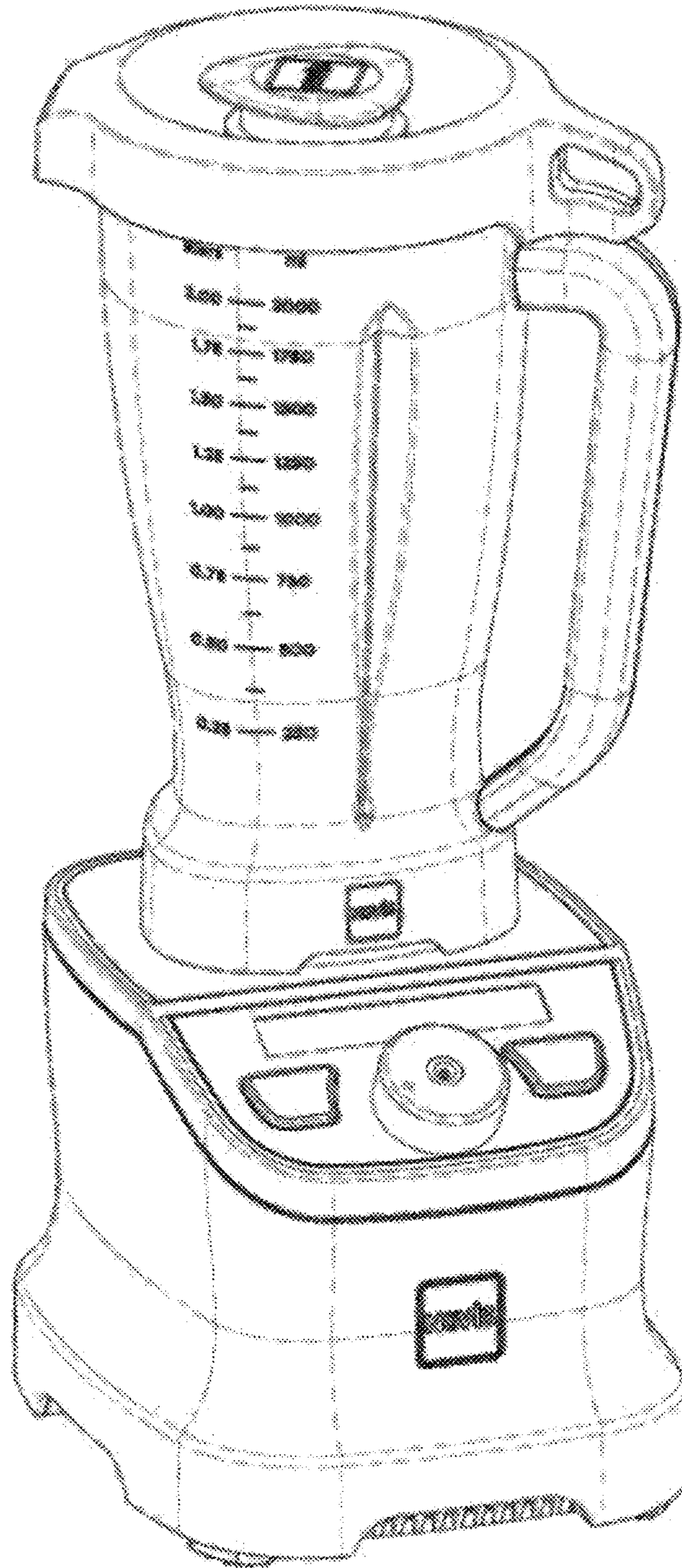
**DESCRIPTION**

1. Blender
- 1.1: Perspective view of a blender;
- 1.2: Front elevation view of the blender;
- 1.3: Rear elevation view of the blender;
- 1.4: Left side elevation view of the blender;
- 1.5: Right side elevation view of the blender; and,
- 1.6: Top plan view of the blender.

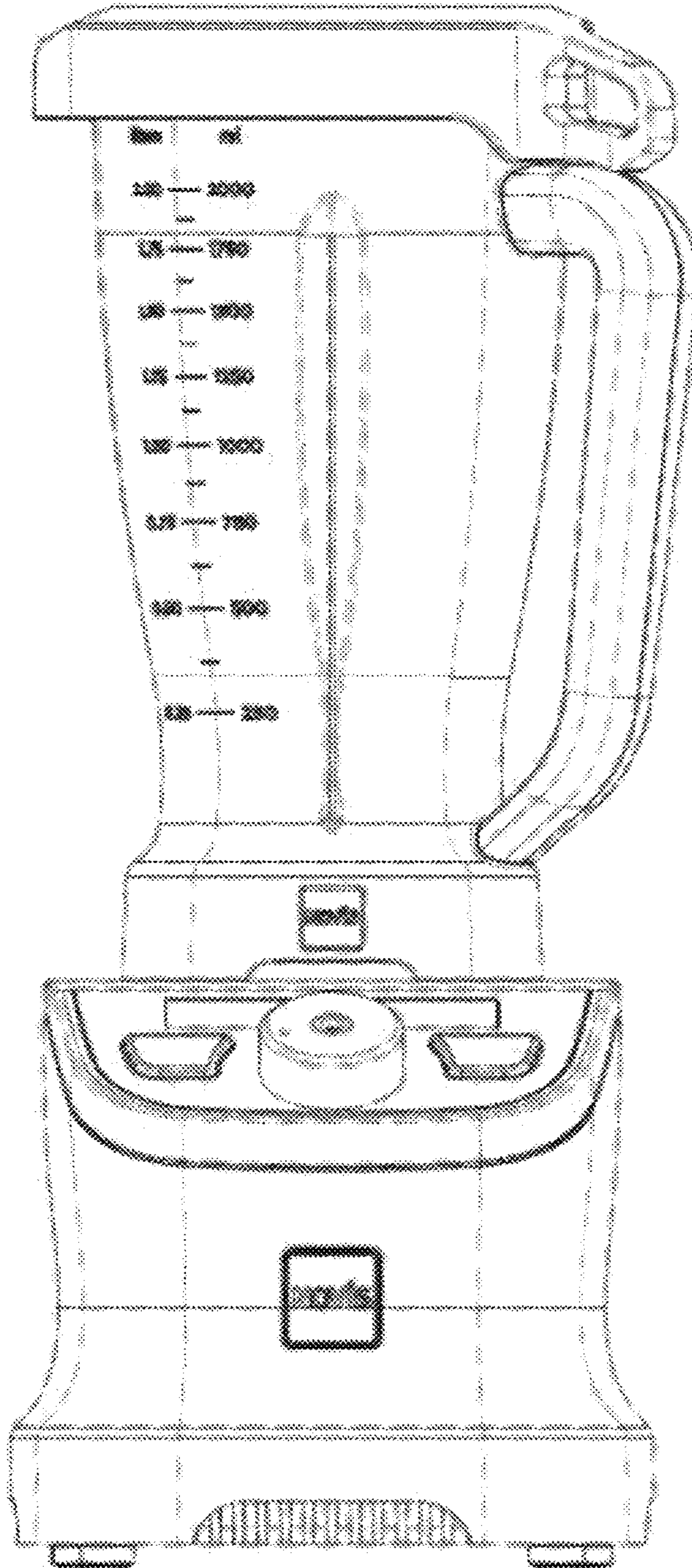
**1 Claim, 6 Drawing Sheets**



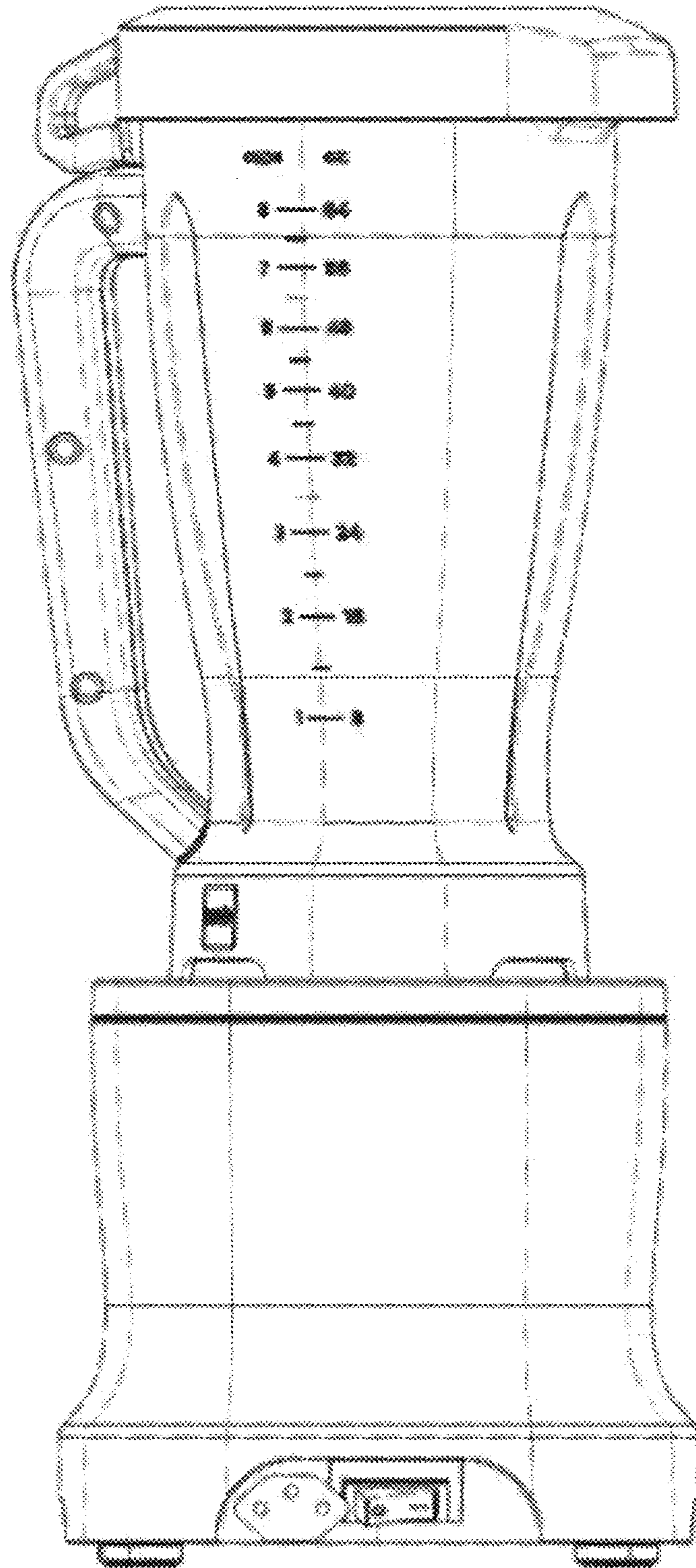
**1.1**



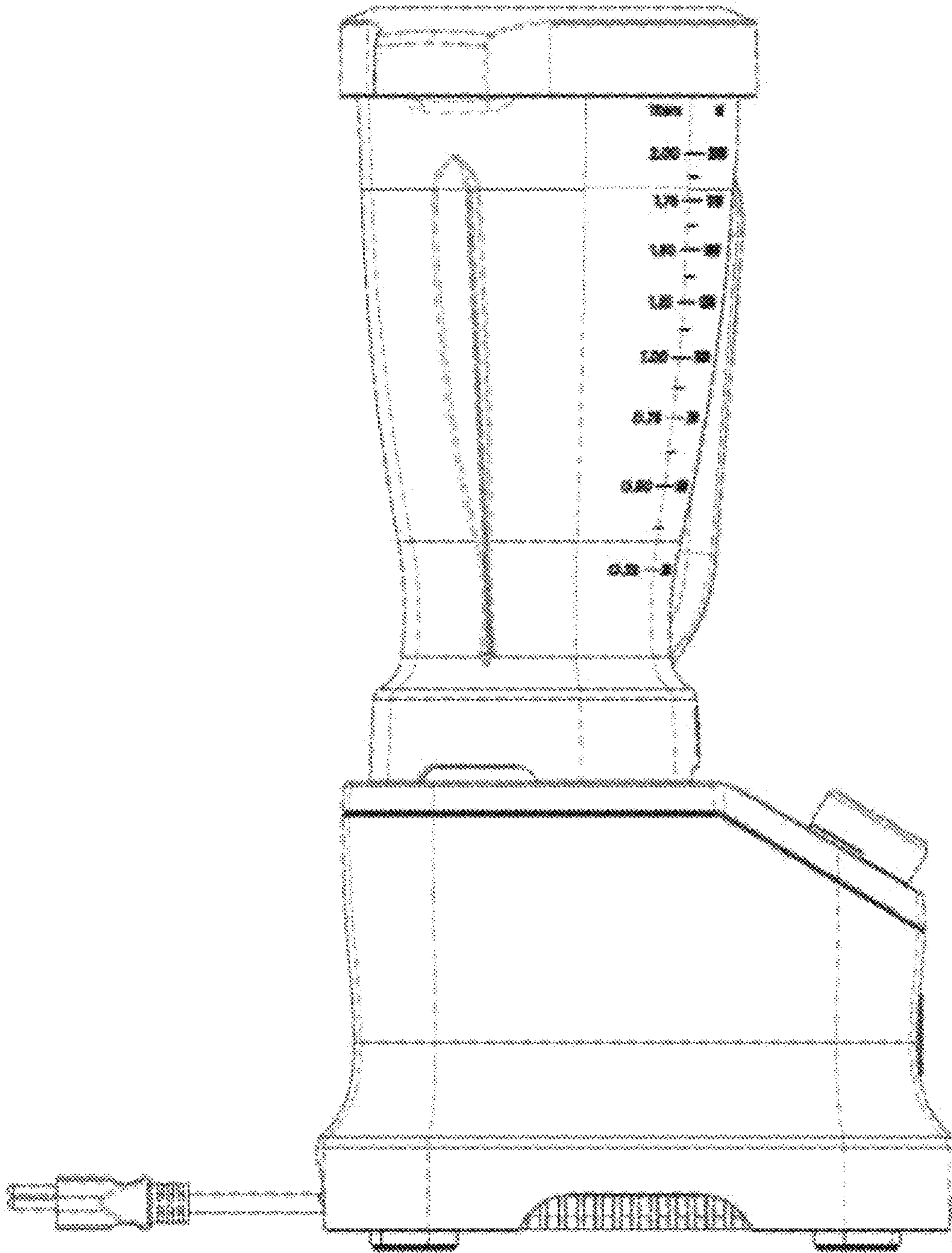
# 1.2



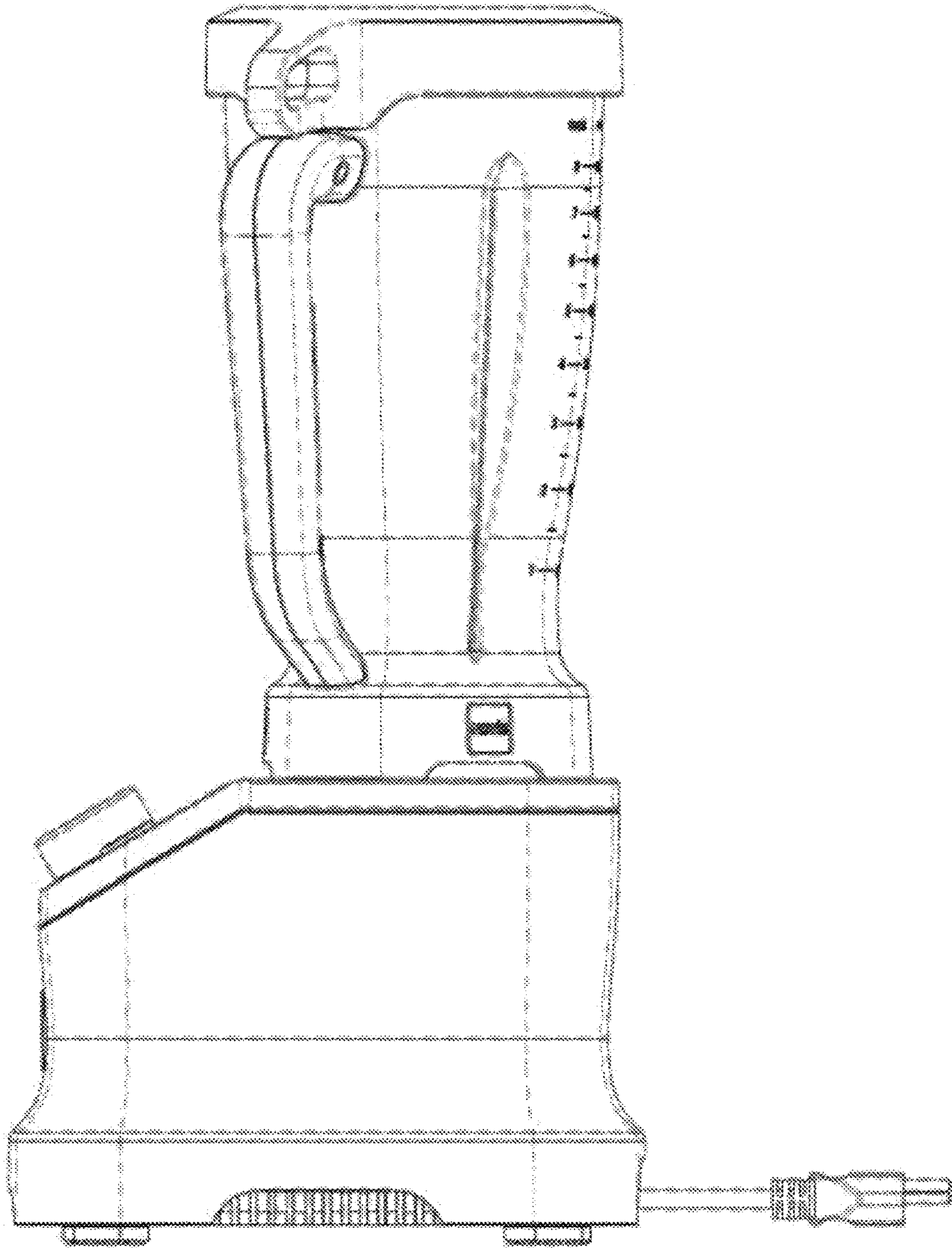
# 1.3



1.4



1.5



**1.6**

