



US00D799889S

(12) **United States Design Patent**
McClory et al.

(10) **Patent No.:** **US D799,889 S**

(45) **Date of Patent:** **** Oct. 17, 2017**

(54) **BAFFLE FOR FOOD WASTE DISPOSER**

(71) Applicant: **Emerson Electric Co.**, St. Louis, MO (US)

(72) Inventors: **Kevin P. McClory**, Racine, WI (US);
Elroy R. Firkus, Milwaukee, WI (US);
Eric Albert Sillies, Cincinnati, OH (US);
Aldo Javier Barreto, Amelia, OH (US)

(73) Assignee: **Emerson Electric Co.**, St. Louis, MO (US)

(**) Term: **15 Years**

(21) Appl. No.: **29/585,391**

(22) Filed: **Nov. 23, 2016**

(51) **LOC (10) Cl.** **31-00**

(52) **U.S. Cl.**
USPC **D7/375; D7/376; D7/378; D7/387; D7/412**

(58) **Field of Classification Search**

USPC D7/372, 375-387, 412-413, 602, 629,
D7/665-666, 669, 679, 693-694;
D23/261; D30/121, 158
CPC A21C 1/02; A21C 1/04; A23N 1/00; A23N
1/02; A47J 43/04; A47J 43/25; A47J
43/27; A47J 43/042; A47J 43/044; A47J
43/046; A47J 43/075; A47J 43/0722;
A47J 43/0727; A47J 43/0766; A61J 9/04;
B01F 3/00; B01F 3/0807; B01F 3/0853;
B01F 13/0059; B01F 13/0064; B01F
15/00006; B02C 1/08; B02C 2/04; B02C
4/42; B02C 4/142; B02C 4/143; B02C
4/423; B02C 13/1835; B02C 23/00; B28C
5/10; B28C 5/12; B28C 5/14; B28C 5/16;
E03C 1/2665

See application file for complete search history.

(56) **References Cited**

U.S. PATENT DOCUMENTS

2,980,351	A *	4/1961	Greene	E03C 1/2665	241/46.015
3,432,108	A *	3/1969	Enright	B02C 23/00	241/100
3,524,596	A *	8/1970	Smith	E03C 1/2665	241/46.016
4,818,114	A *	4/1989	Ghavi	A47J 43/27	215/11.1
D339,429	S *	9/1993	Reid	D30/121	
D374,150	S *	10/1996	Lillelund	D7/387	
D465,697	S *	11/2002	Renz	D7/376	
D539,078	S *	3/2007	Anderson	D7/375	
D581,724	S *	12/2008	Pan	D23/261	
D599,444	S *	9/2009	Jones	D23/261	
8,016,142	B2 *	9/2011	Renz	A61J 9/04	215/11.1
D665,953	S *	8/2012	Leary	A01K 13/001	D30/158
8,408,418	B2 *	4/2013	Kuzelka	B01F 15/00006	220/600

* cited by examiner

Primary Examiner — Ricky Pham

(74) *Attorney, Agent, or Firm* — Harness, Dickey & Pierce, P.L.C.

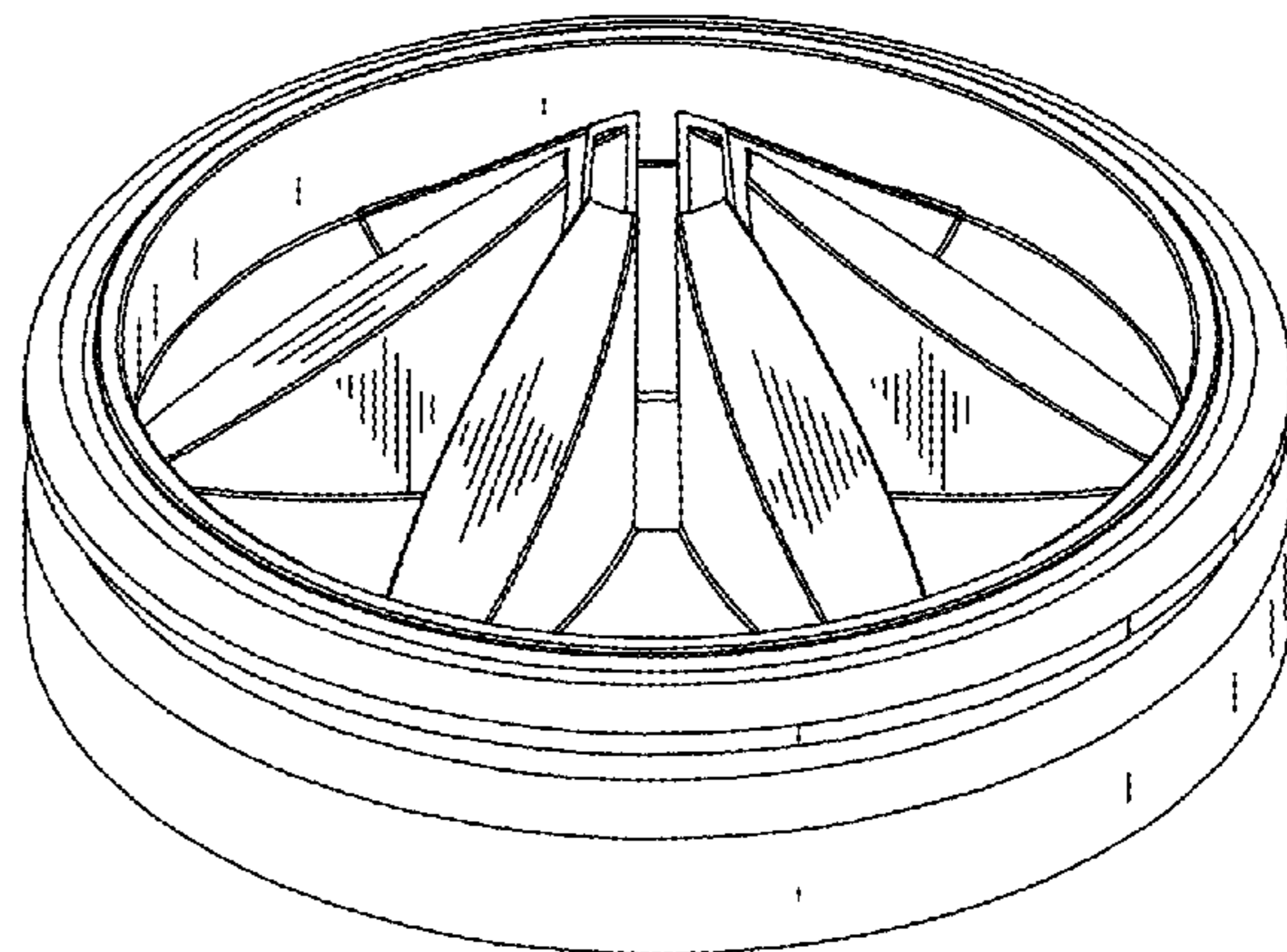
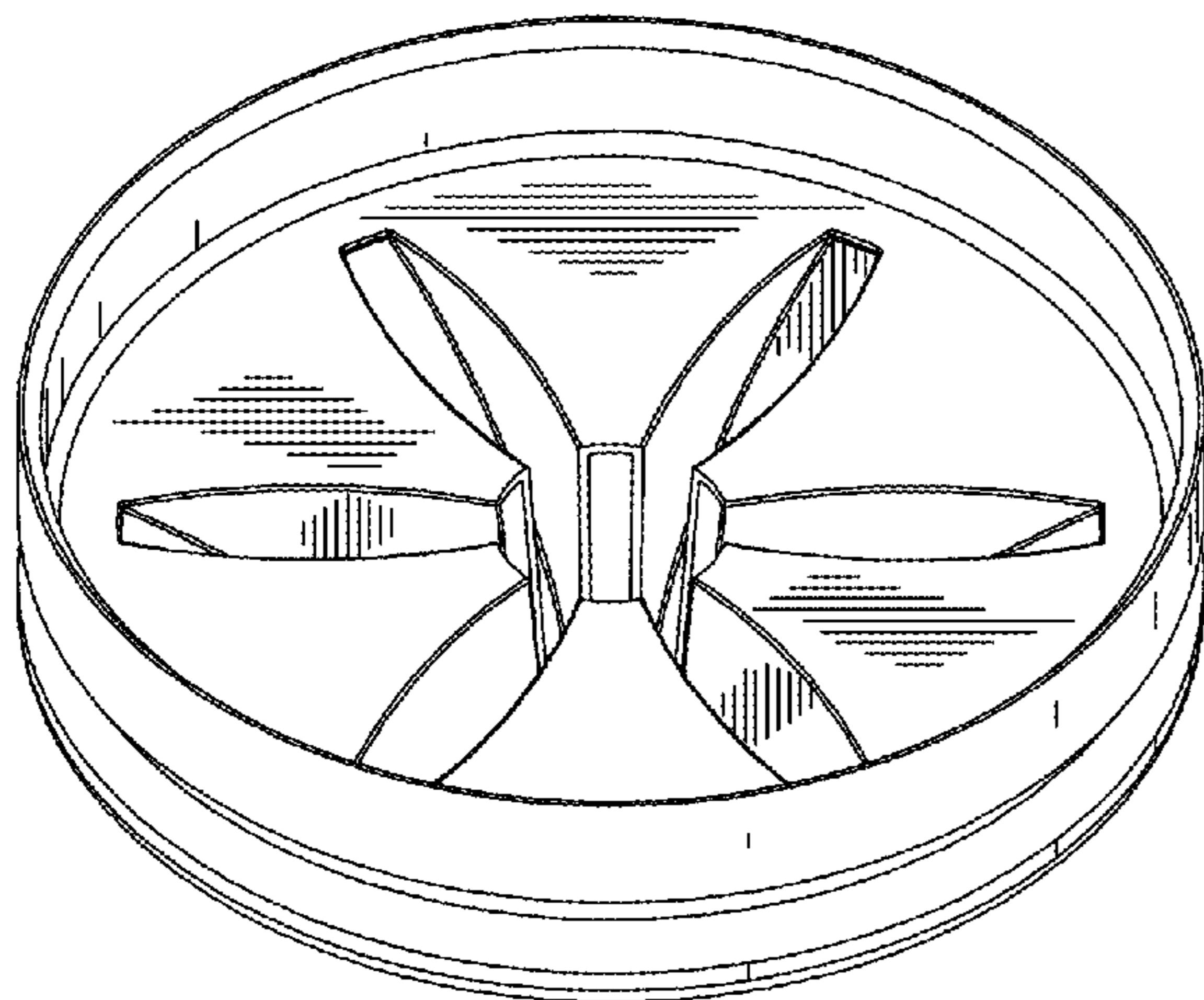
(57) **CLAIM**

The ornamental design for a baffle for food waste disposer, as shown and described.

DESCRIPTION

FIG. 1 is a top perspective view;
FIG. 2 is a bottom perspective view;
FIG. 3 is a top view;
FIG. 4 is a bottom view;
FIG. 5 is a left side view;
FIG. 6 is a right side view;
FIG. 7 is a front side view; and,
FIG. 8 is a rear side view.

1 Claim, 4 Drawing Sheets



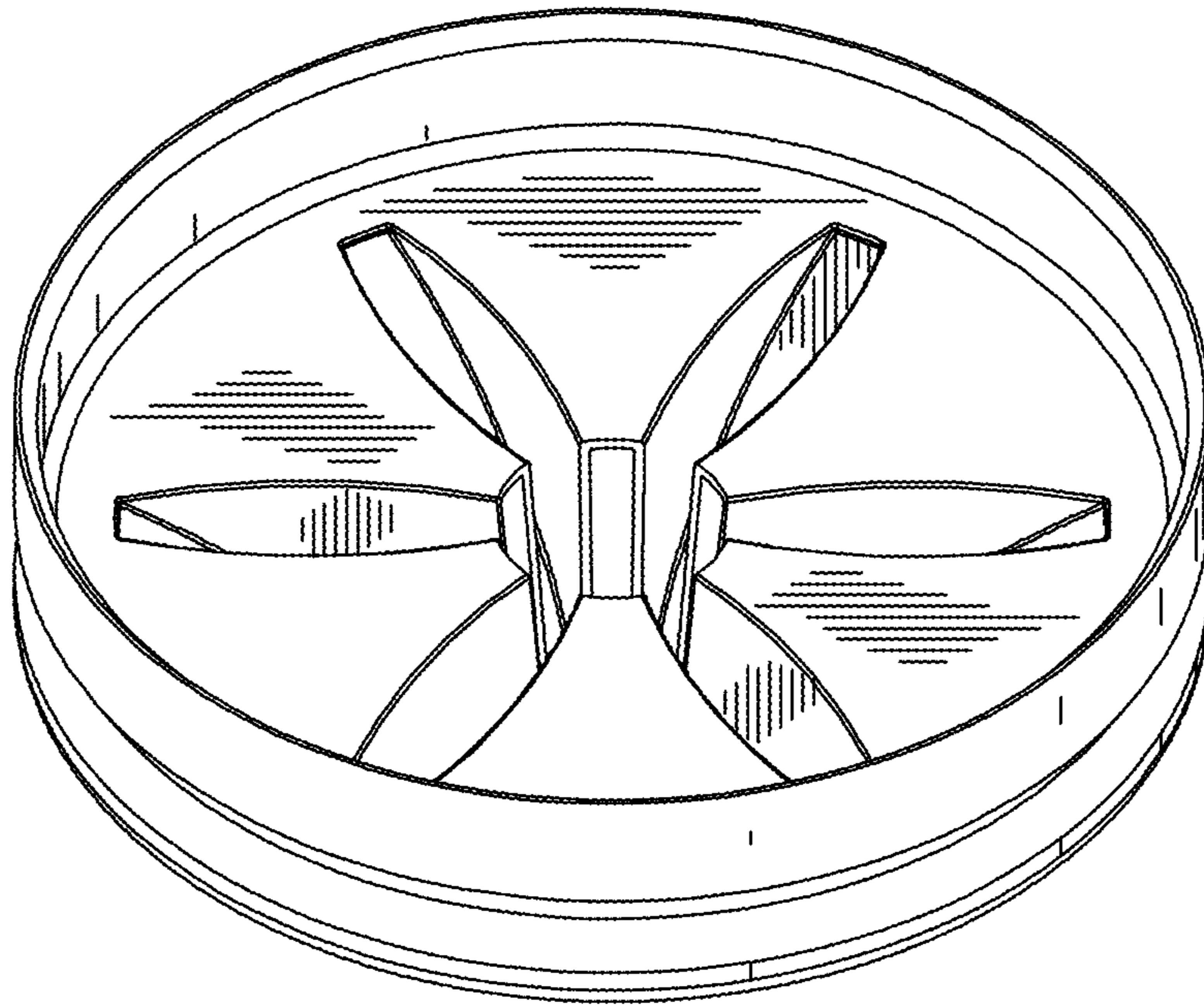


FIG 1

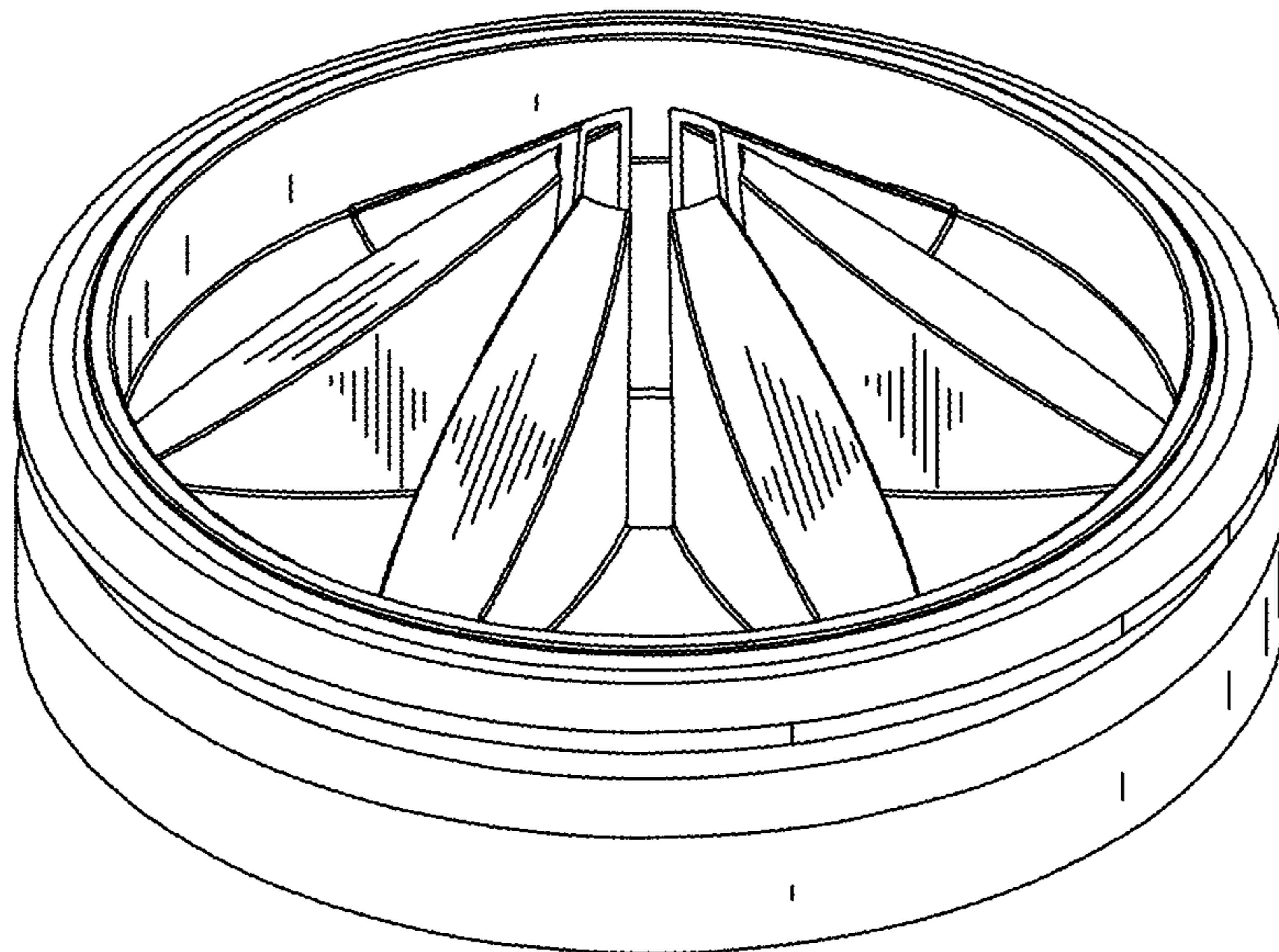


FIG 2

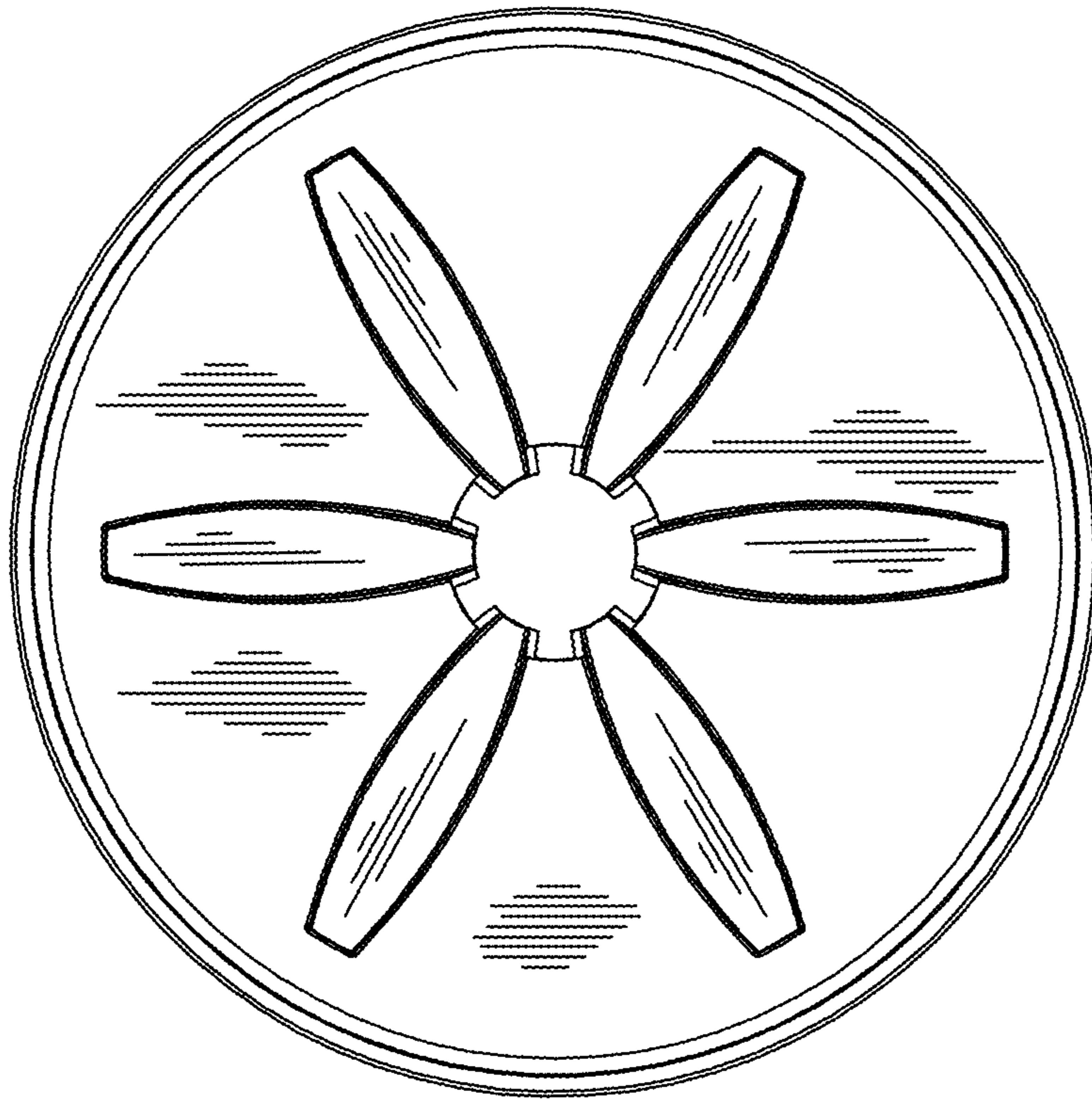


FIG 3

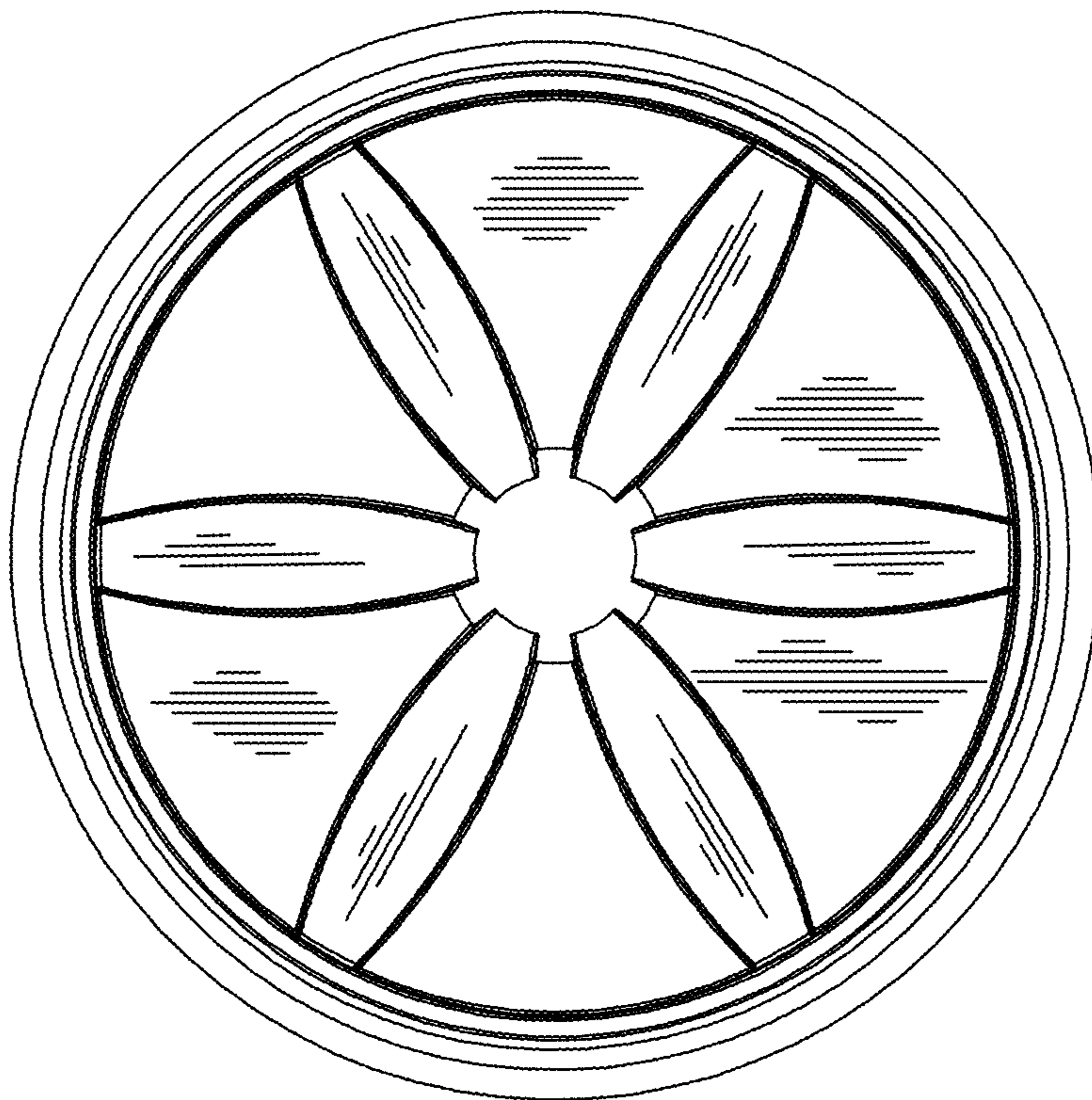


FIG 4

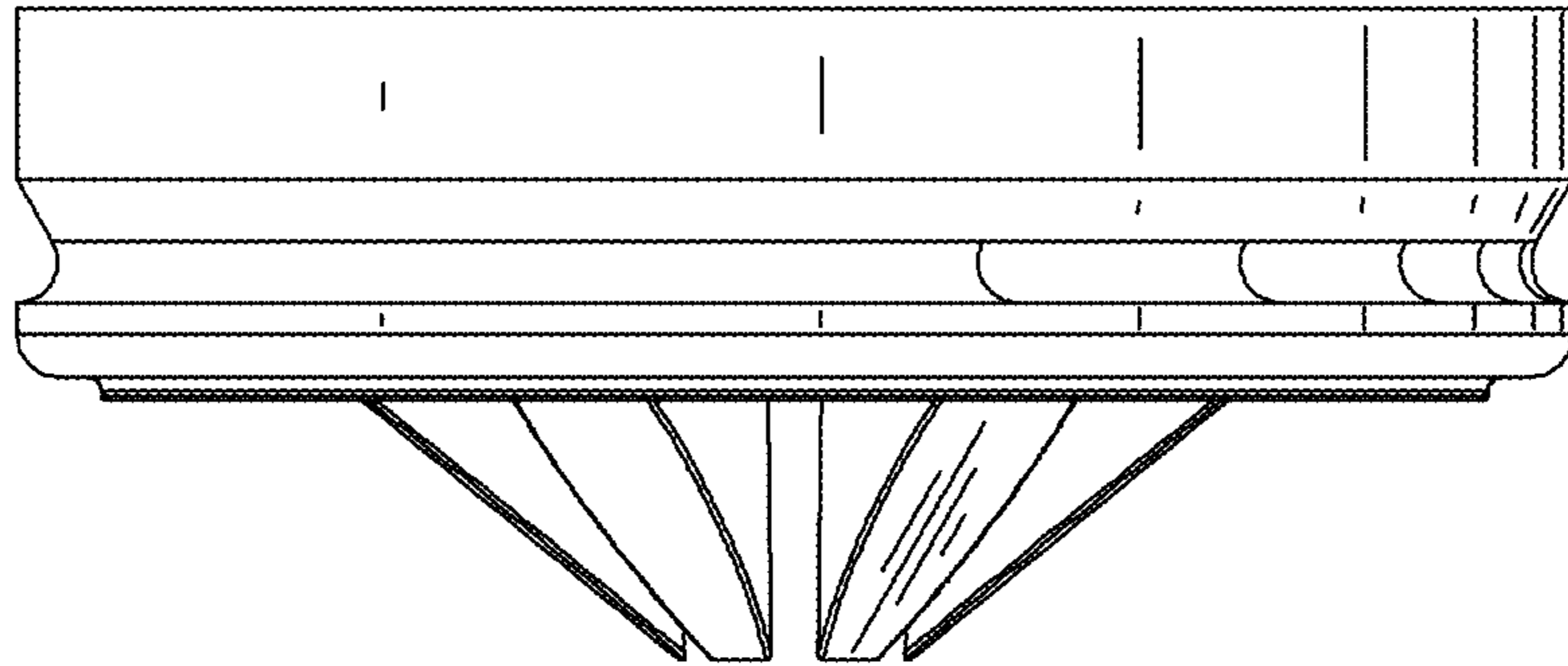


FIG 5

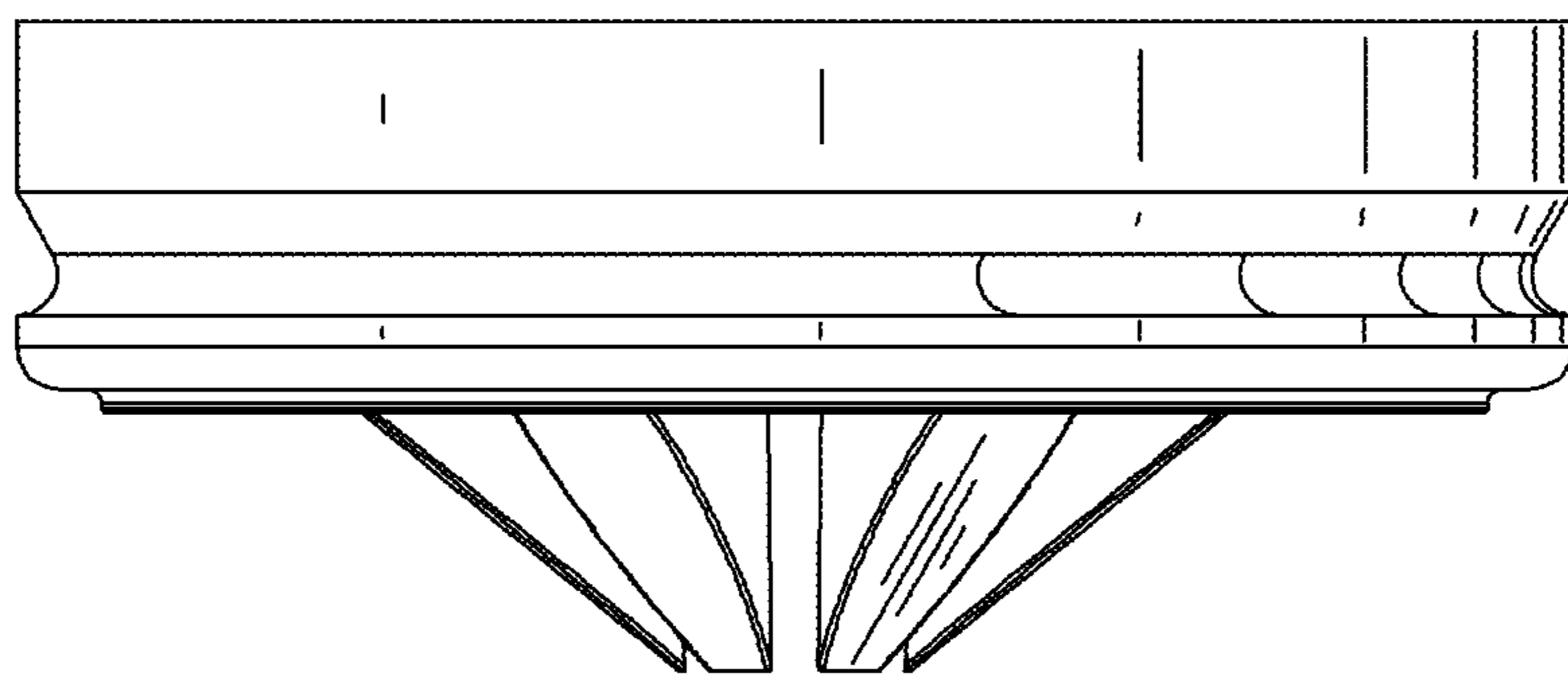


FIG 6

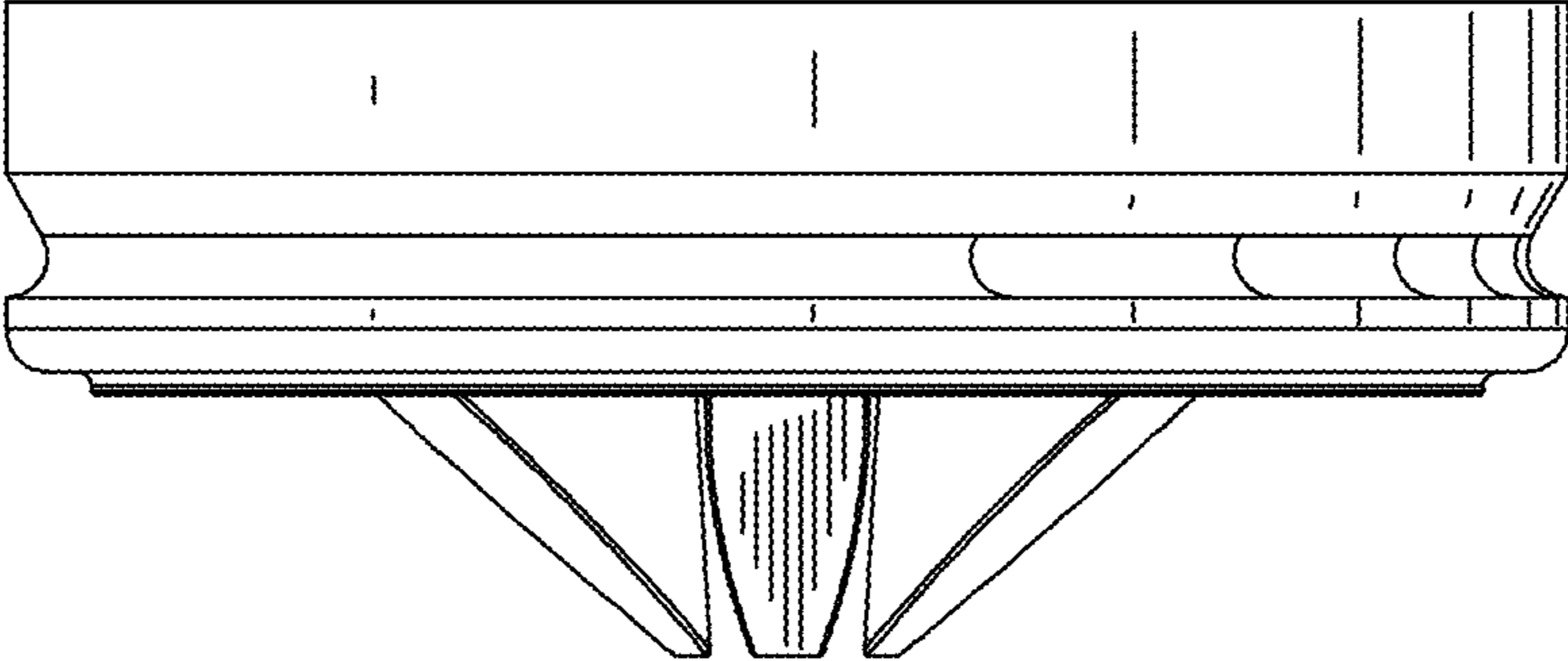


FIG 7

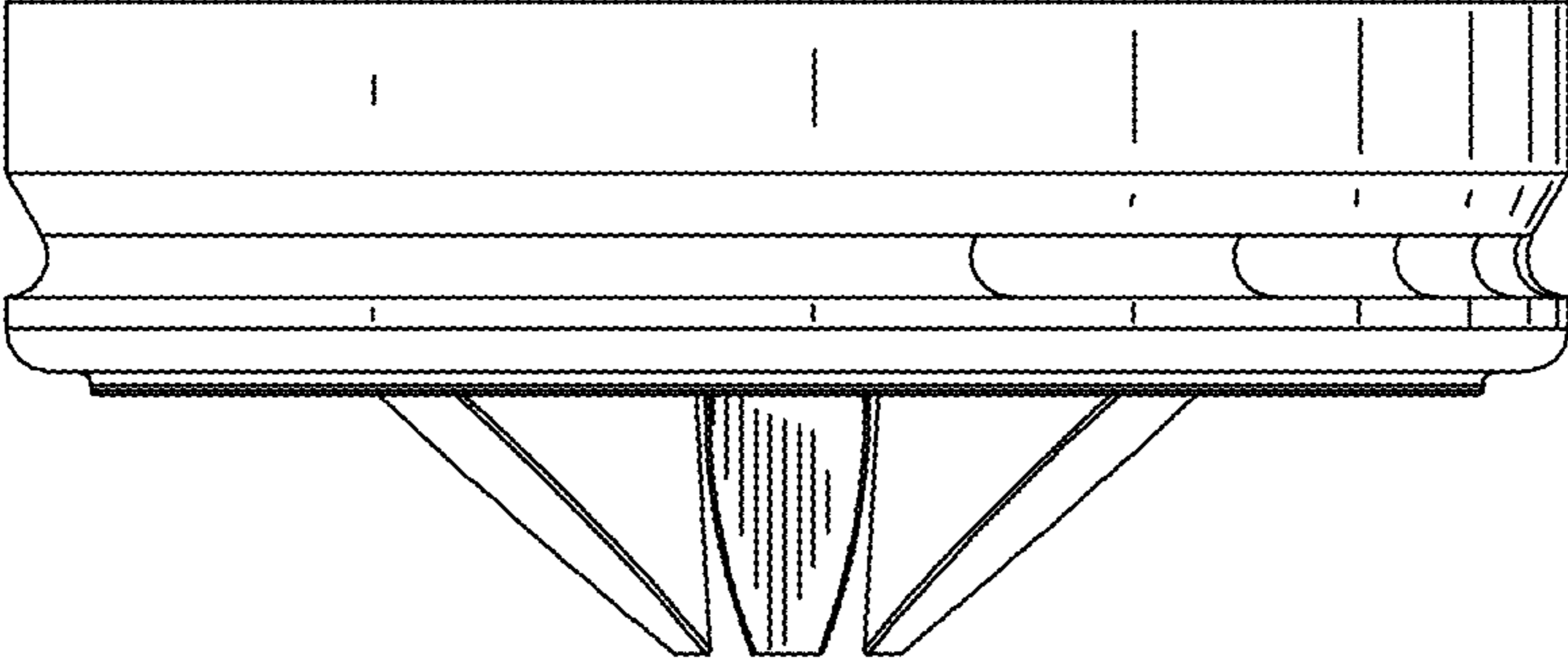


FIG 8