

US00D799886S

(12) **United States Design Patent**
Davenport

(10) **Patent No.:** **US D799,886 S**

(45) **Date of Patent:** **** Oct. 17, 2017**

(54) **COOKTOP**

(71) Applicant: **BREVILLE PTY LIMITED**,
Alexandria, New South Wales (AU)

(72) Inventor: **David Davenport**, Alexandria (AU)

(73) Assignee: **BREVILLE PTY LIMITED**,
Alexandria, New South Wales (AU)

(**) Term: **15 Years**

(21) Appl. No.: **29/533,480**

(22) Filed: **Jul. 17, 2015**

(51) **LOC (10) Cl.** **07-02**

(52) **U.S. Cl.**
USPC **D7/352**; D7/362

(58) **Field of Classification Search**
USPC D7/323, 328-330, 337, 347, 352-364,
D7/367, 402, 409-411
CPC . A21B 5/023; A47J 27/60; A47J 27/62; A47J
37/04; A47J 37/06; A47J 37/067; A47J
37/0605; A47J 37/0611; A47J 37/0623;
A47J 37/0629; A47J 37/0676; A47J
2037/06; A47J 2037/0611; A61F 7/007;
F24C 15/10; F24C 15/102; H05B 6/02;
H05B 6/062

See application file for complete search history.

(56) **References Cited**

U.S. PATENT DOCUMENTS

4,640,284 A * 2/1987 Ruderian A61F 7/007
126/204
D289,847 S * 5/1987 Okamoto D7/363
D501,117 S * 1/2005 Bassill D7/367

D580,701 S * 11/2008 Wojcik D7/367
D621,205 S * 8/2010 Yeung D7/367
D643,674 S * 8/2011 Lee D7/362
D644,867 S * 9/2011 Janvier D7/362
D731,227 S * 6/2015 Marsh-Croft D7/352
D746,097 S * 12/2015 Davenport D7/352
D755,560 S * 5/2016 Day D7/352
D790,910 S * 7/2017 Hosoda D7/362

* cited by examiner

Primary Examiner — Ricky Pham

(74) *Attorney, Agent, or Firm* — Moser Taboada

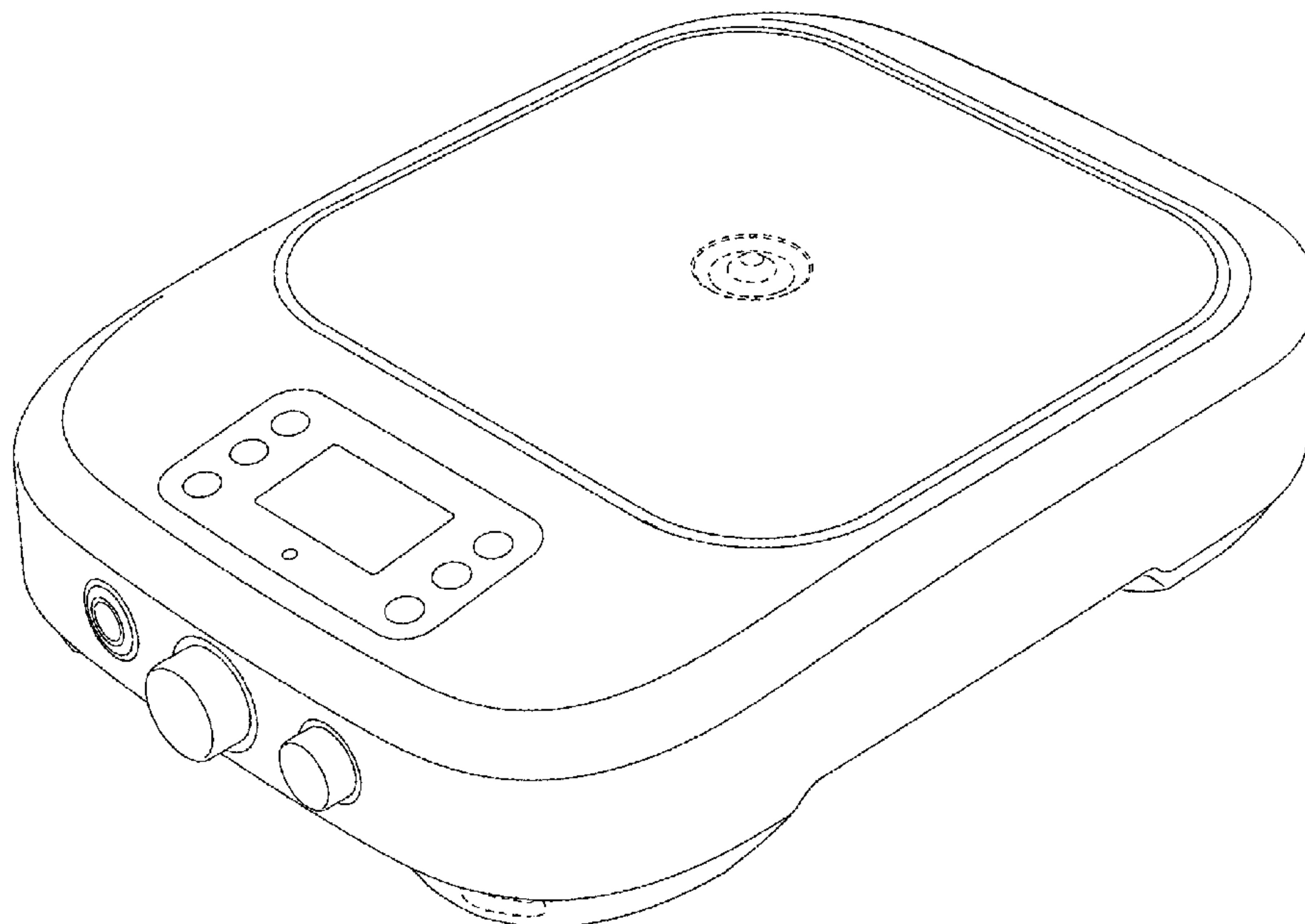
(57) **CLAIM**

The ornamental design for a cooktop, as shown and described.

DESCRIPTION

FIG. 1 is a left side view of a cooktop, embodying the new ornamental design;
FIG. 2 is a top view of the cooktop shown in FIG. 1, embodying the new ornamental design;
FIG. 3 is a right side view of the cooktop shown in FIG. 1, embodying the new ornamental design;
FIG. 4 is a front view of the cooktop shown in FIG. 1, embodying the new ornamental design;
FIG. 5 is a back view of the cooktop shown in FIG. 1, embodying the new ornamental design;
FIG. 6 is a bottom view of the cooktop shown in FIG. 1, embodying the new ornamental design;
FIG. 7 is a front perspective view of the cooktop shown in FIG. 1, embodying the new ornamental design; and,
FIG. 8 is a back perspective view of the cooktop shown in FIG. 1, embodying the new ornamental design.
The dashed lines in FIGS. 1-8 illustrate features that form no part of the claimed design.

1 Claim, 8 Drawing Sheets



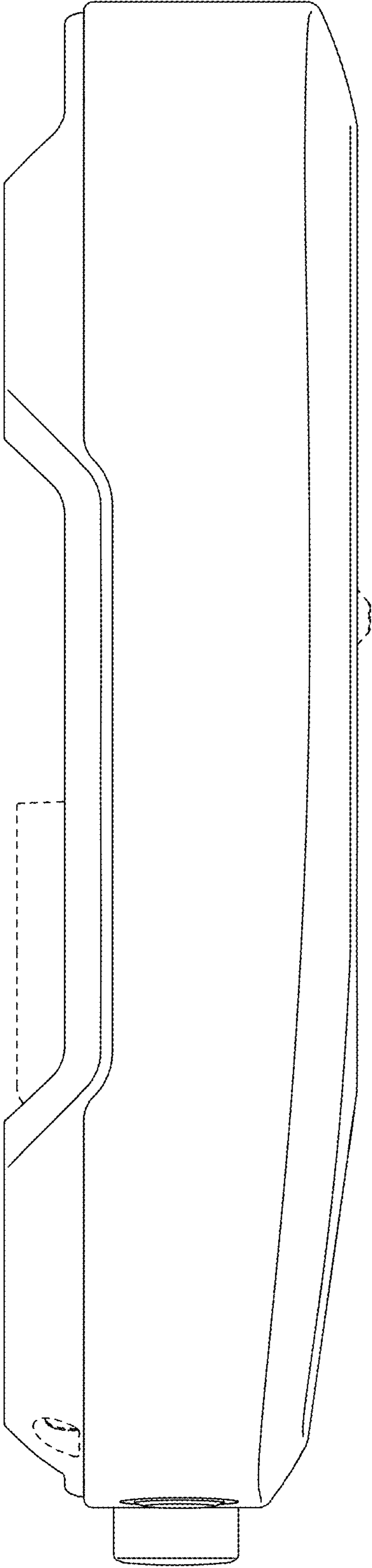


FIG. 1

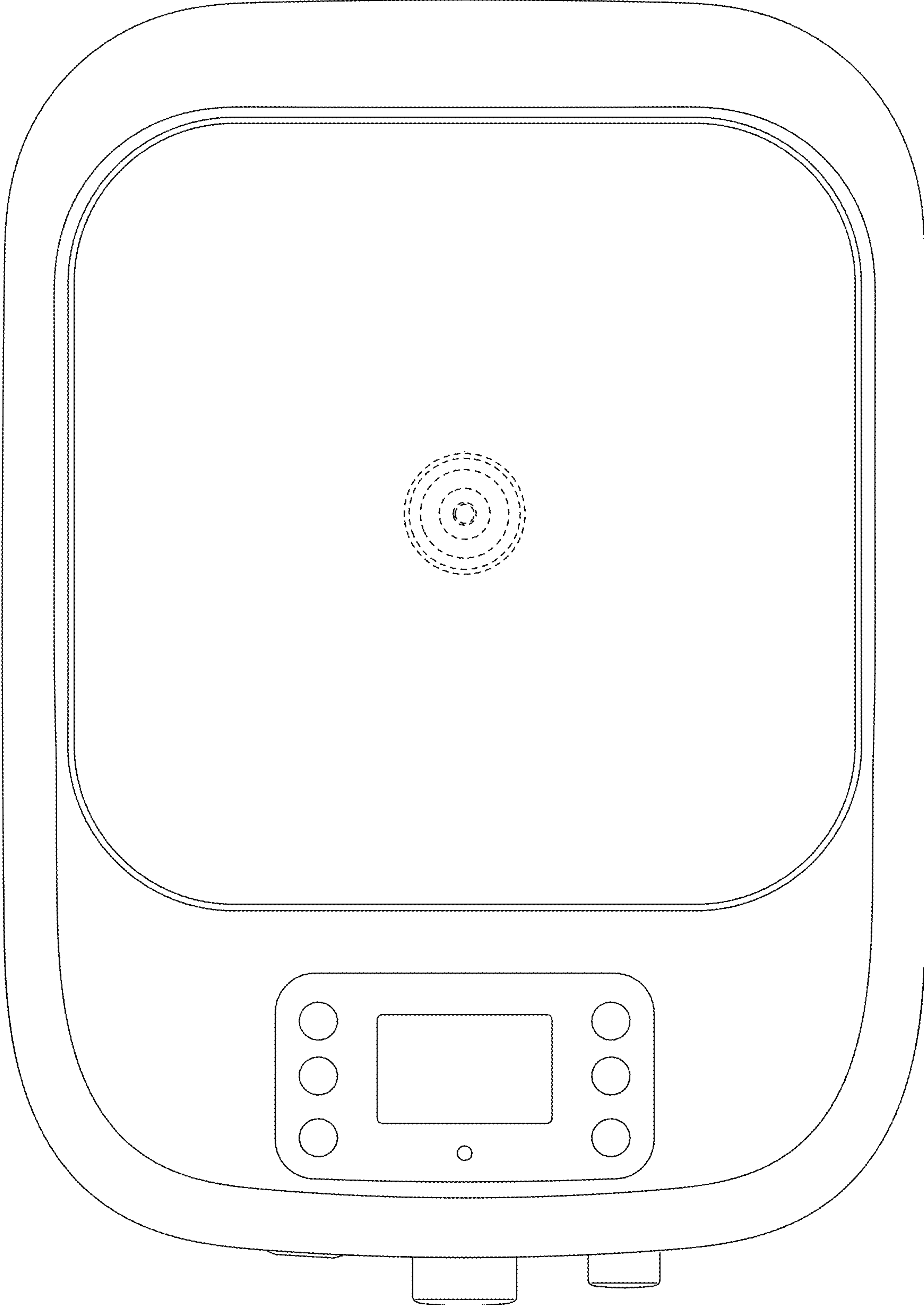


FIG. 2

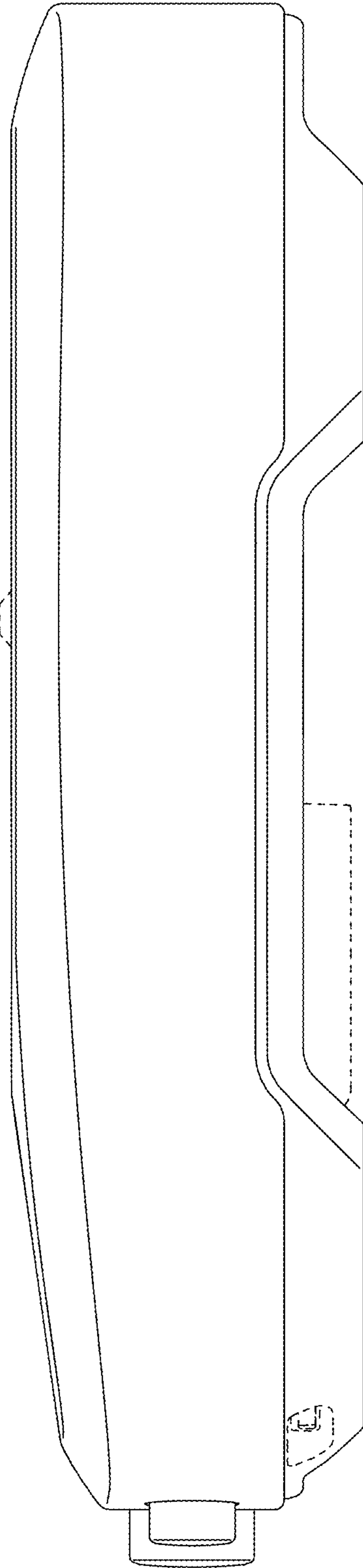


FIG. 3

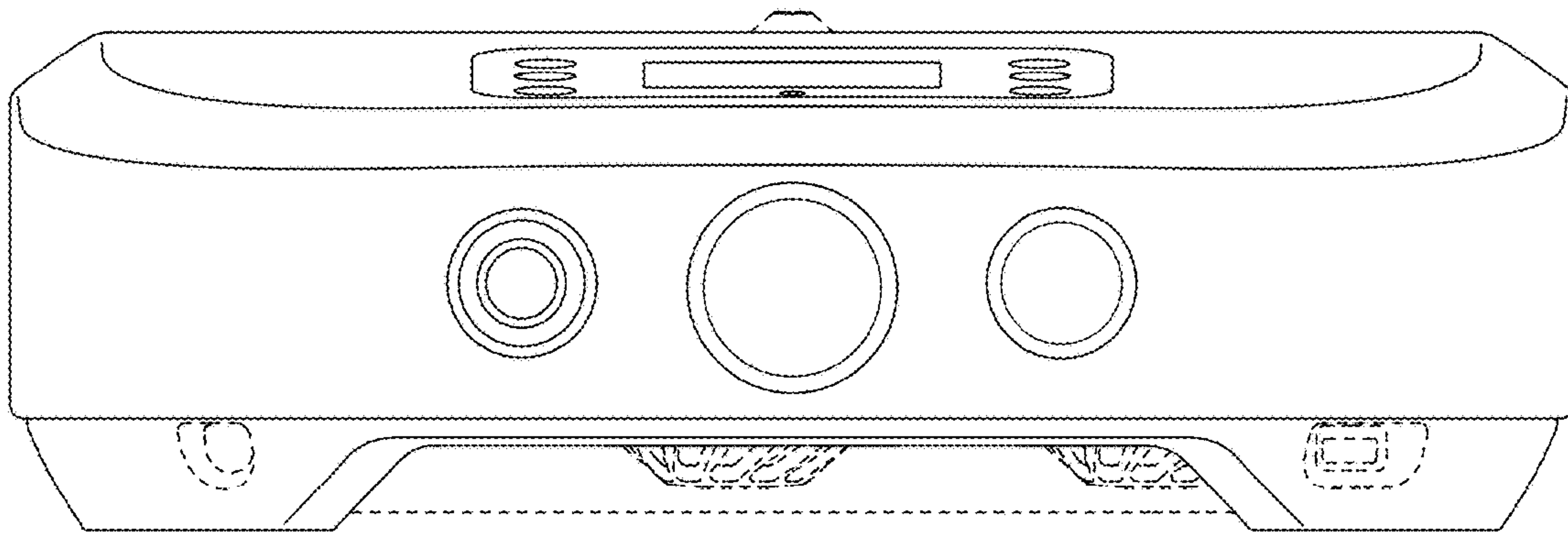


FIG. 4

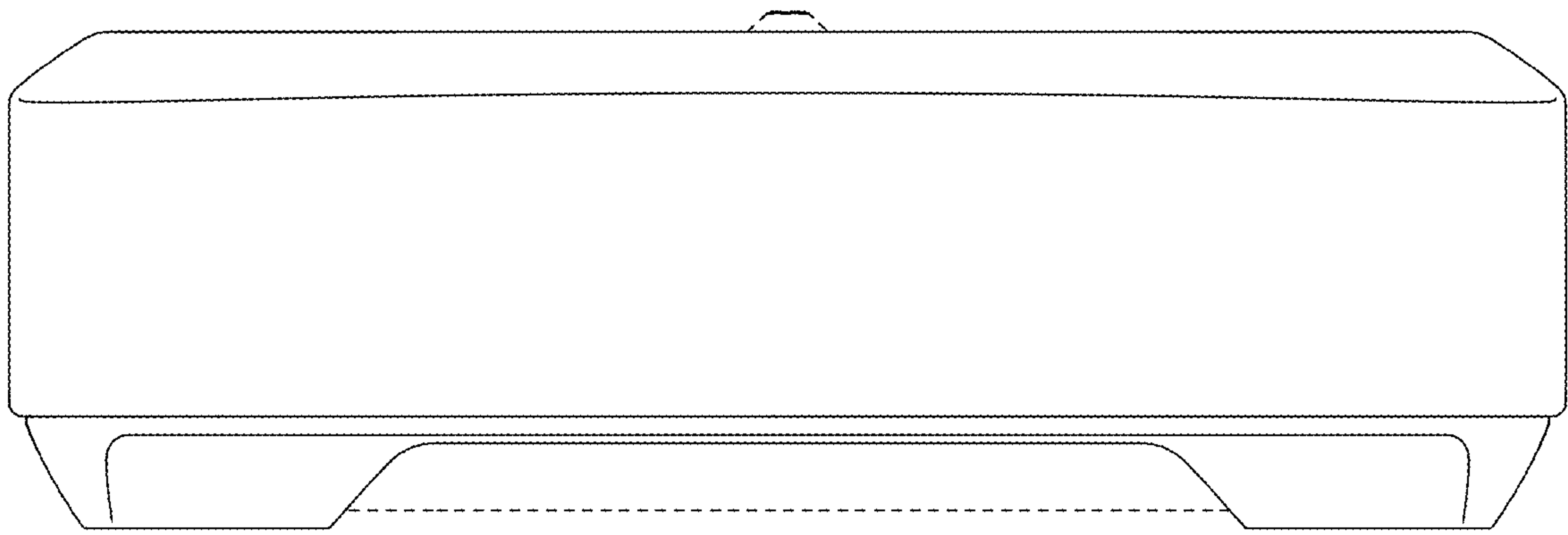


FIG. 5

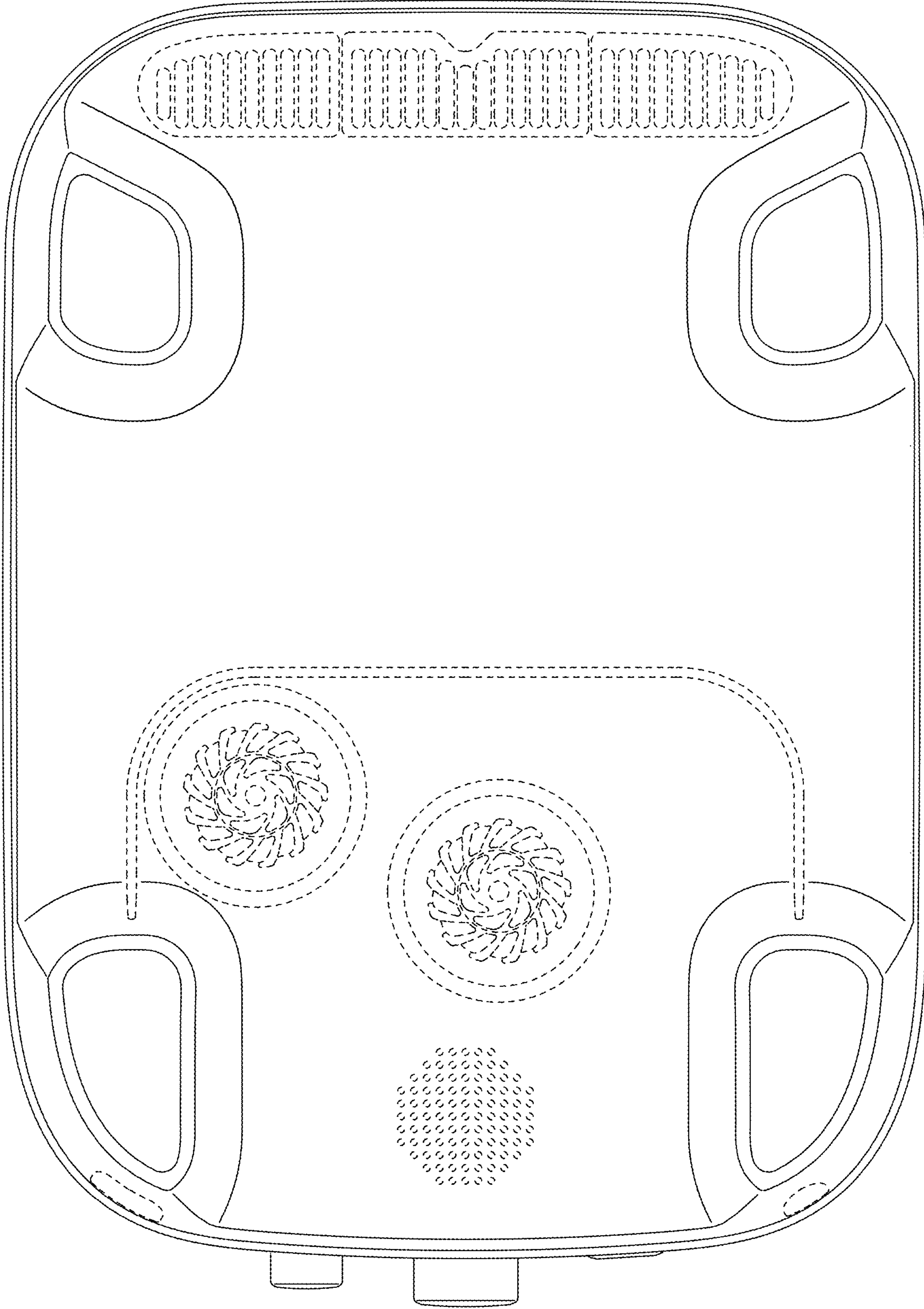


FIG. 6

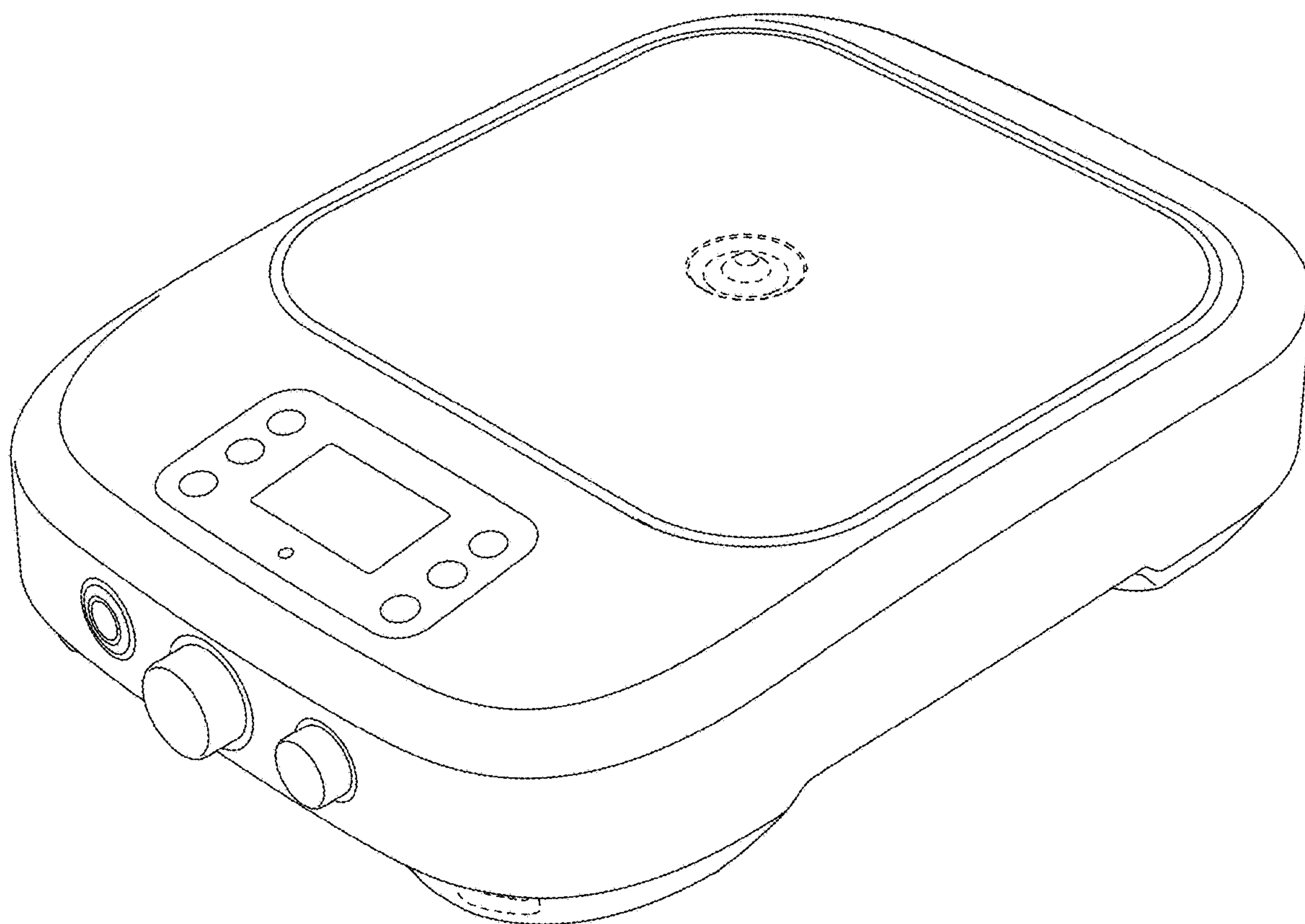


FIG. 7

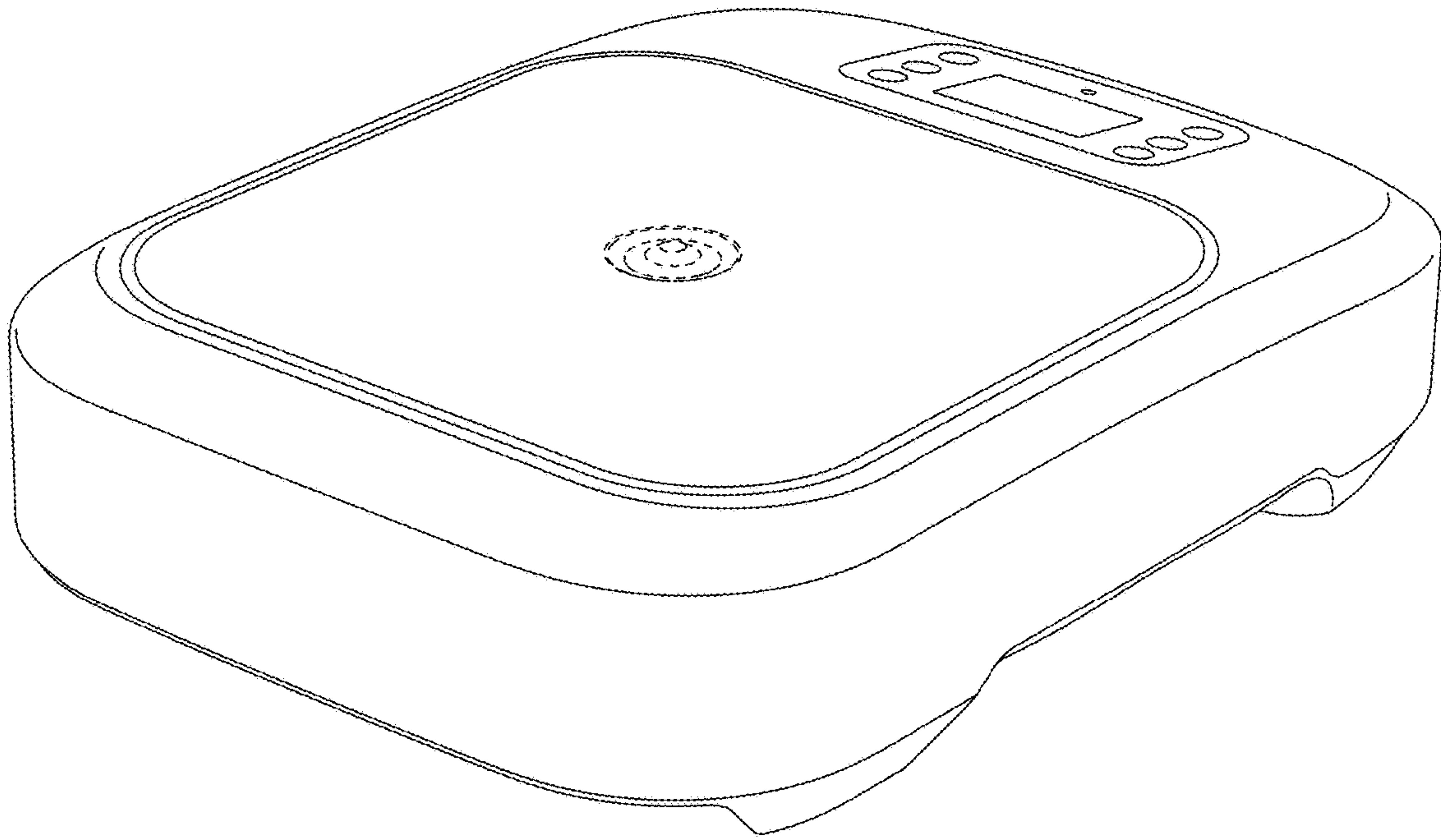


FIG. 8