



US00D799885S

(12) **United States Design Patent**
Torchon

(10) **Patent No.:** **US D799,885 S**

(45) **Date of Patent:** **** Oct. 17, 2017**

(54) **COMBINATION BARBECUE GRILL, COOK TOP AND OVEN**

(71) Applicant: **Jacqueline Torchon**, Wellington, FL (US)

(72) Inventor: **Jacqueline Torchon**, Wellington, FL (US)

(**) Term: **15 Years**

(21) Appl. No.: **29/505,989**

(22) Filed: **May 12, 2016**

(51) **LOC (10) Cl.** **07-02**

(52) **U.S. Cl.**
USPC **D7/334**

(58) **Field of Classification Search**
USPC D7/213, 323, 324, 329, 330, 332, 334, D7/337, 339, 340, 346, 347, 362, 367
CPC G05D 7/00; F24F 13/07; F24C 5/00; F24C 5/20; F24C 3/00; F24C 3/10; F24C 3/12; F24C 15/06; F24C 15/10; F24C 15/16; F24C 15/20; F24B 3/00; F23N 5/22; B60H 3/00; B32B 15/04; A62C 3/00; A47J 43/18; A47J 33/00; A47J 37/07-37/0713; A47J 37/0731-37/074; A47J 2037/0777; A47J 37/0781
See application file for complete search history.

(56) **References Cited**

U.S. PATENT DOCUMENTS

3,797,375	A	3/1974	Cerola	
3,982,096	A	9/1976	Dills	
D462,227	S *	9/2002	Alden	D7/334
D584,562	S *	1/2009	Chau	D7/334
D635,814	S *	4/2011	Leavens	D7/334
8,118,020	B2	2/2012	Rummel et al.	
D712,191	S *	9/2014	Chung	D7/334
D717,097	S *	11/2014	Lin	D7/334

D723,321	S *	3/2015	Chung	D7/334
D723,322	S *	3/2015	Strauch	D7/334
D723,860	S *	3/2015	Chung	D7/334
D732,874	S *	6/2015	Chung	D7/334
D736,026	S *	8/2015	Kam et al.	D7/334
D737,092	S *	8/2015	Lin	D7/334
D747,911	S *	1/2016	Sheppard	D34/14
D769,668	S *	10/2016	Lally	D7/334
D773,879	S *	12/2016	Magee	D7/334
D776,476	S *	1/2017	Euwer	D7/334
2008/0121118	A1 *	5/2008	Sikes	A47J 37/07 99/447
2008/0229937	A1 *	9/2008	Stephen et al.	A47J 37/07 99/421 R
2010/0132689	A1 *	6/2010	Contarino, Jr.	A47J 37/067 126/25 B
2011/0219958	A1 *	9/2011	Noble	A23B 4/044 99/473

(Continued)

Primary Examiner — Manpreet Matharu

Assistant Examiner — Suzanne Tisdell

(74) *Attorney, Agent, or Firm* — Paul R. Martin

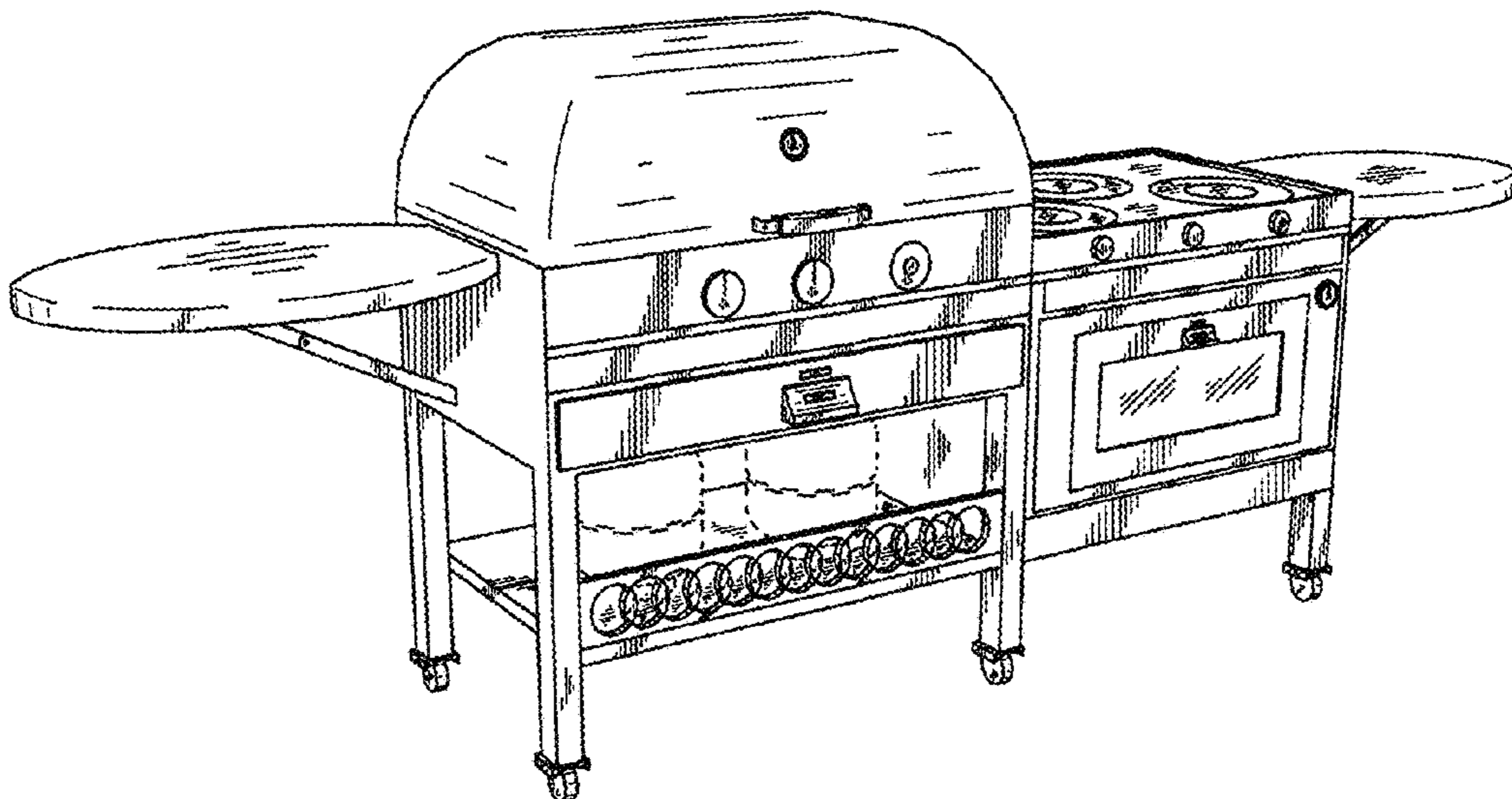
(57) **CLAIM**

The ornamental design for a combination barbecue grill, cook top, and oven, as shown and described.

DESCRIPTION

FIG. 1 is a perspective view of the combination barbecue grill, cook top, and oven of my new design. FIG. 2. Is a front elevational view thereof. FIG. 3 is a back elevational view thereof. FIG. 4 is a right side elevational view thereof. FIG. 5 is a left side elevational view thereof. FIG. 6 is a bottom plan view thereof; and, FIG. 7 is a top plan view thereof. The broken line figures in FIG. 1, depicting propane tanks, are environmental elements and form no part of my new design.

1 Claim, 5 Drawing Sheets



(56)

References Cited

U.S. PATENT DOCUMENTS

2013/0112088 A1* 5/2013 May A47J 37/07
99/421 H
2014/0318524 A1* 10/2014 Measom A47J 37/0704
126/25 R
2015/0004297 A1* 1/2015 Pothetes A47J 37/00
426/523
2016/0208837 A1* 7/2016 Chang F16B 5/02
2016/0360924 A1* 12/2016 Bruin-Slot A47J 37/0786

* cited by examiner

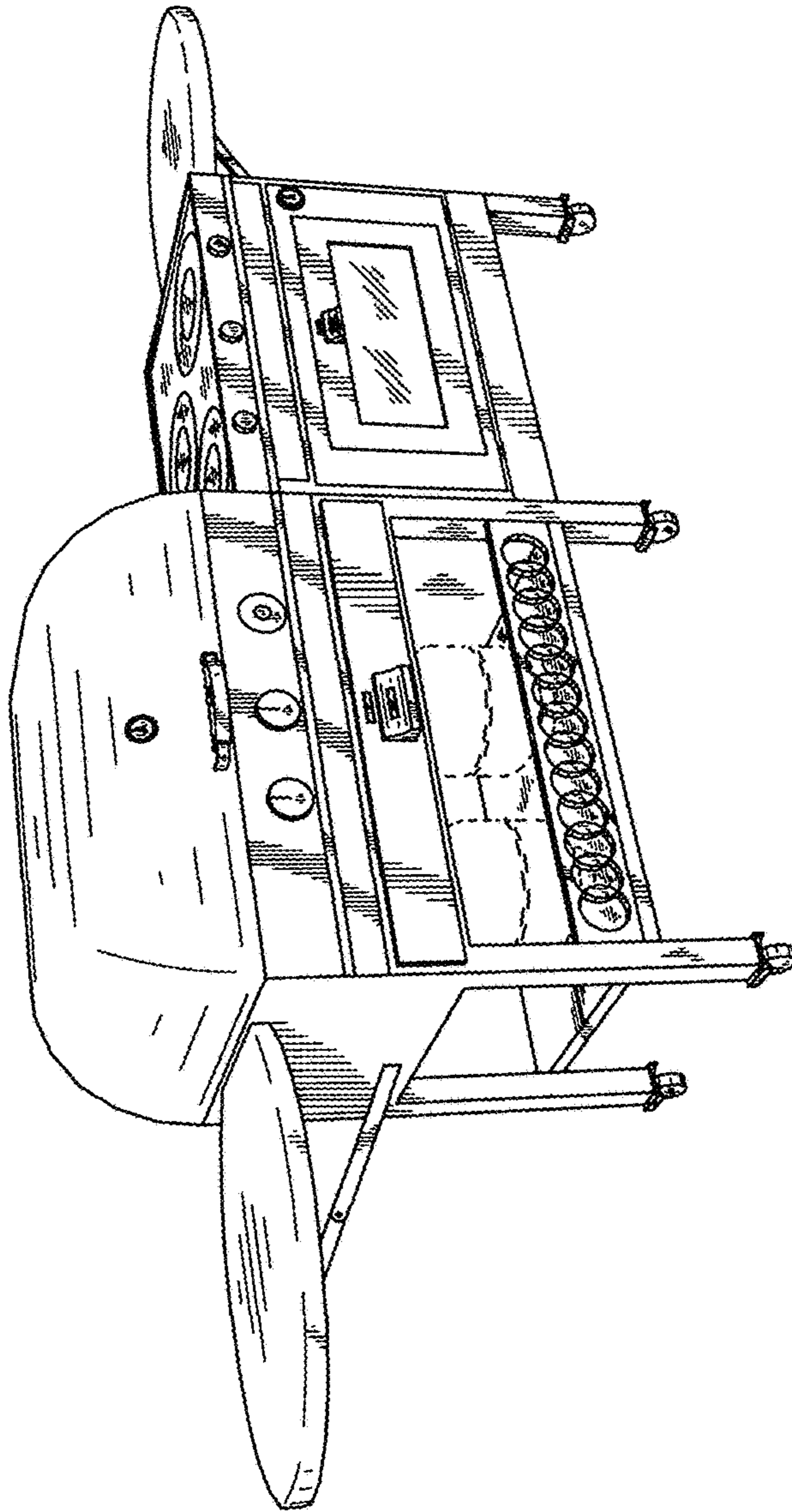


FIG.1

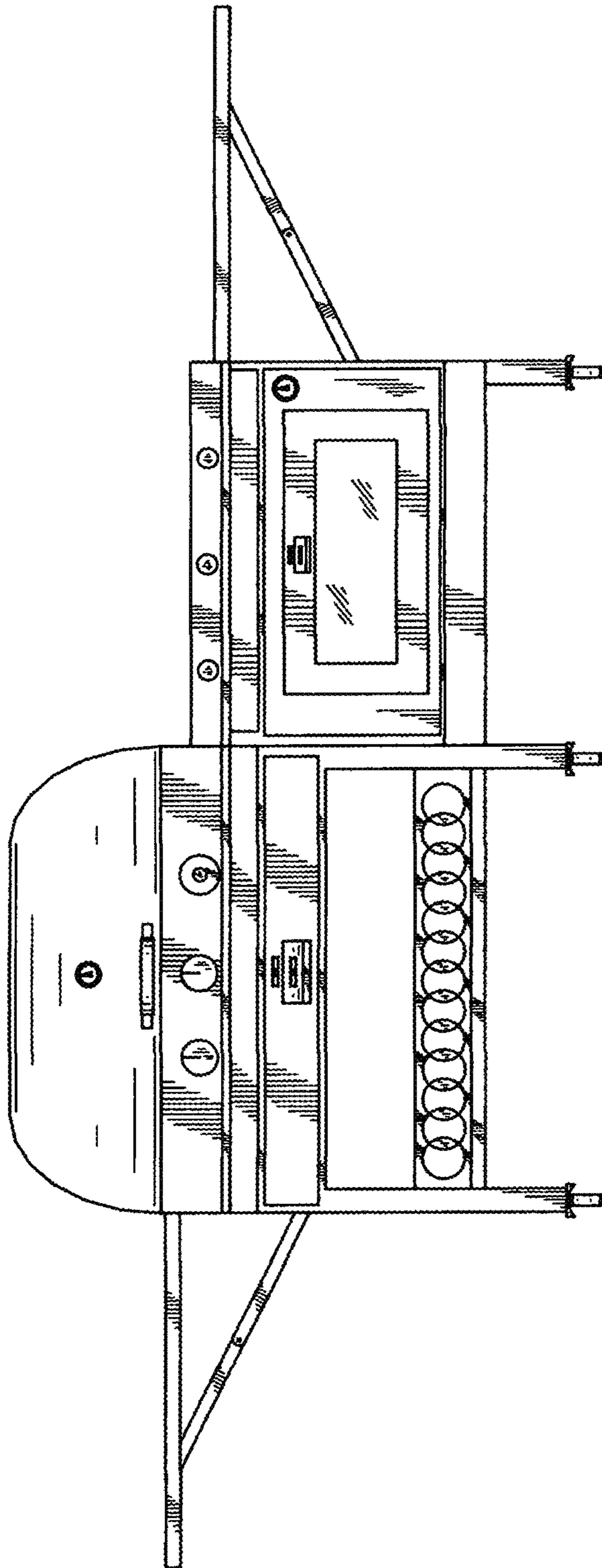


FIG. 2

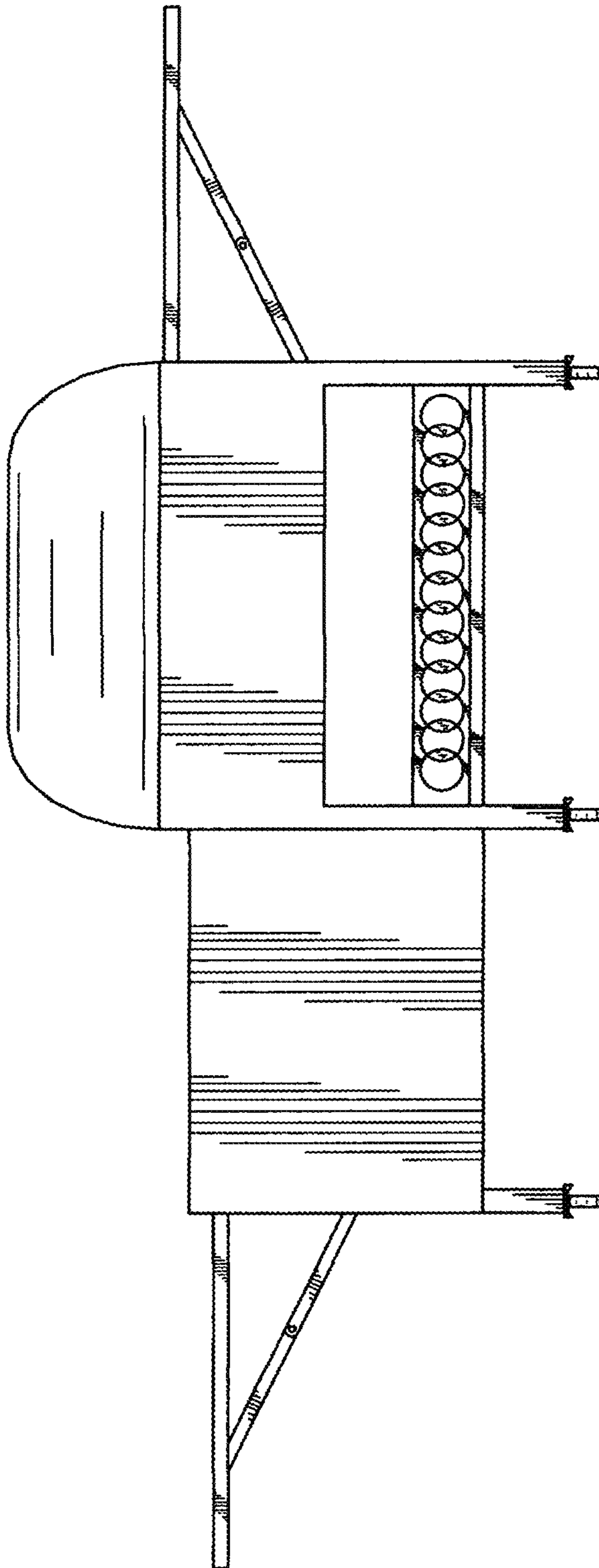


FIG. 3

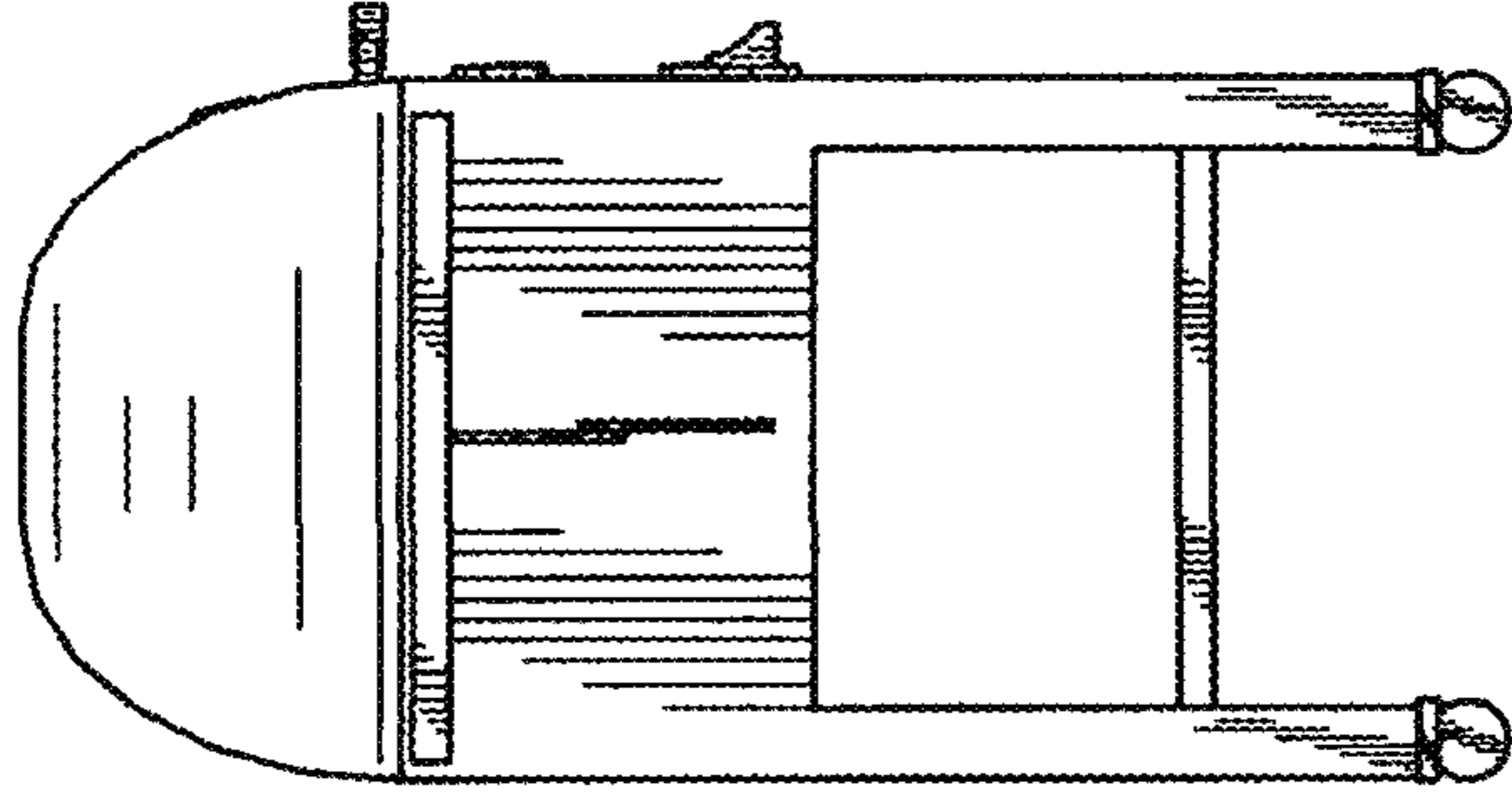


FIG. 5

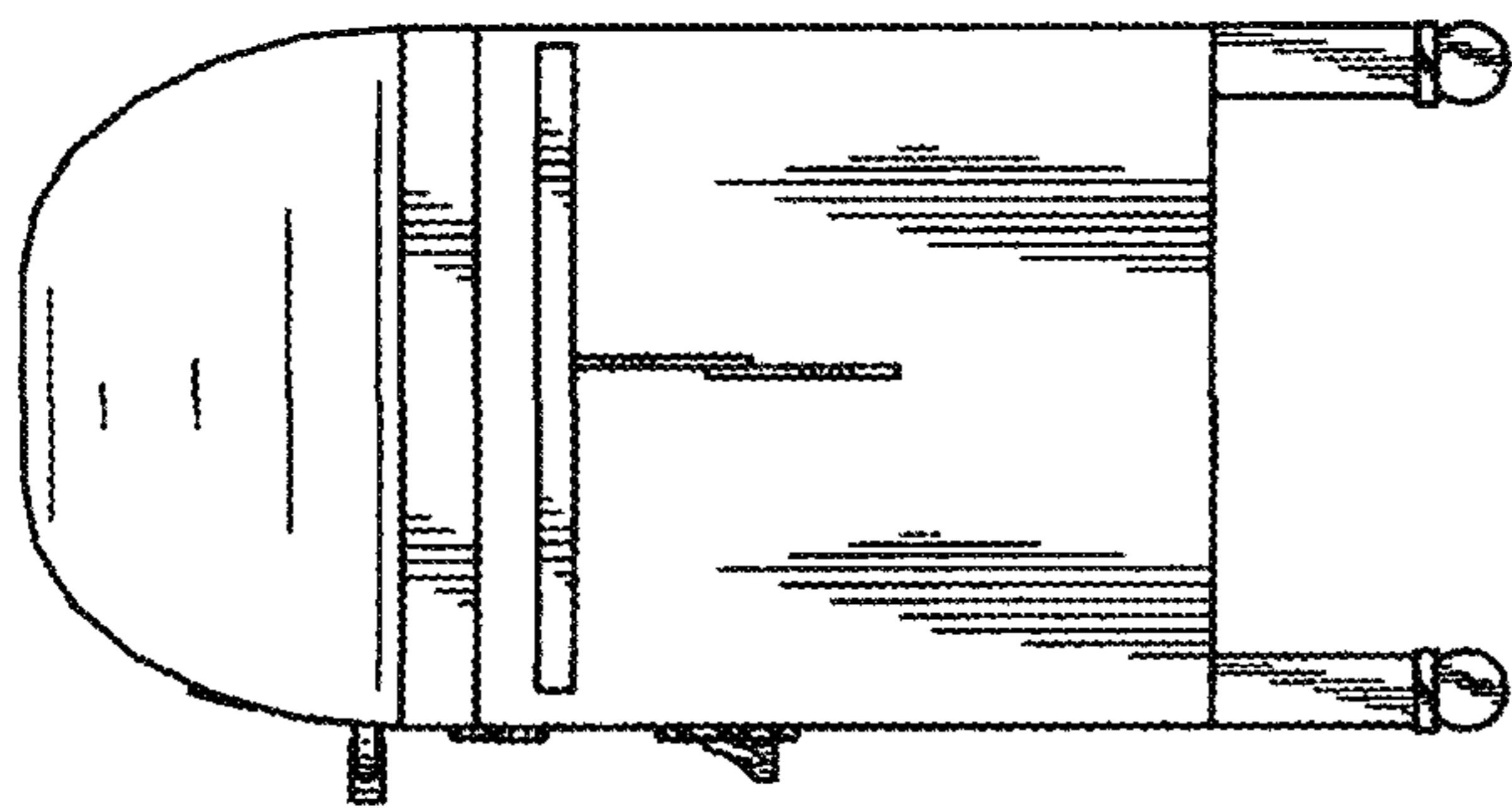


FIG. 4

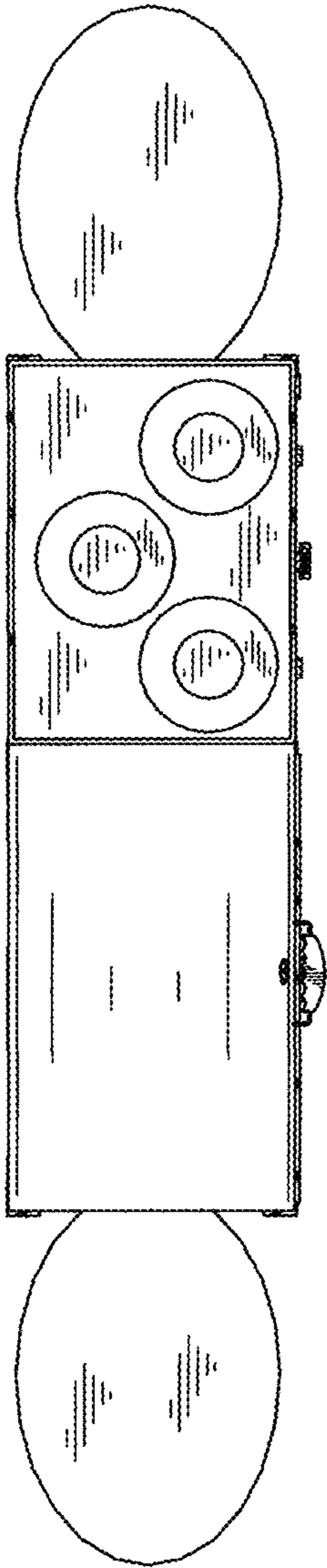


FIG. 6

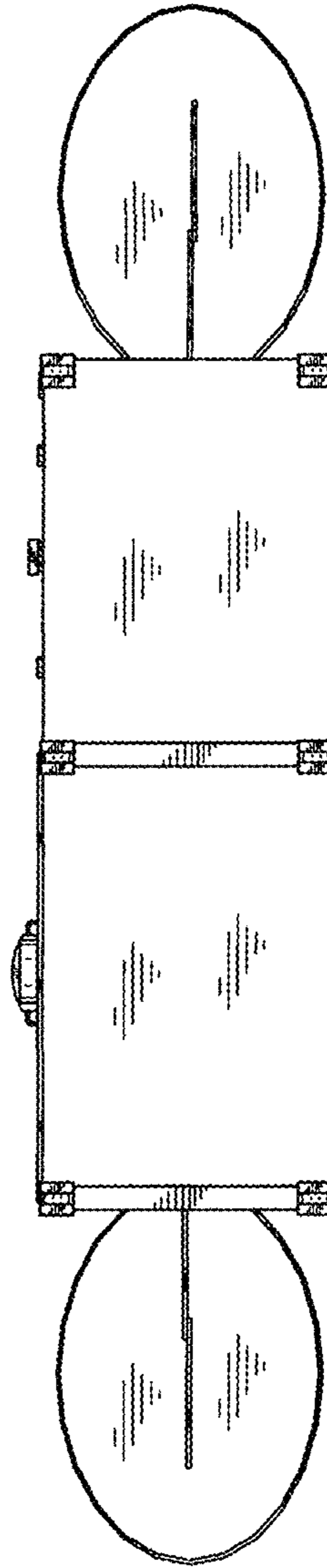


FIG. 7