



US00D799884S

(12) **United States Design Patent**
Rose et al.

(10) **Patent No.:** **US D799,884 S**

(45) **Date of Patent:** **** *Oct. 17, 2017**

(54) **TOASTER**

(71) Applicant: **Williams-Sonoma, Inc.**, San Francisco, CA (US)

(72) Inventors: **Phillip John Patrick Rose**, San Francisco, CA (US); **Mihai Hoge**, Atlanta, GA (US)

(73) Assignee: **Williams-Sonoma, Inc.**, San Francisco, CA (US)

(*) Notice: This patent is subject to a terminal disclaimer.

(**) Term: **15 Years**

(21) Appl. No.: **29/572,092**

(22) Filed: **Jul. 25, 2016**

(51) **LOC (10) Cl.** **07-02**

(52) **U.S. Cl.**
USPC **D7/330**

(58) **Field of Classification Search**

USPC D7/323, 328-330, 390
CPC ... A21B 2/00; A47J 37/00; A47J 37/06; A47J 37/0611; A47J 37/08; A47J 37/0807; A47J 37/0814; A47J 37/0835; A47J 37/0842; A47J 37/085; A47J 37/0864; A47J 37/0878; A47J 37/0885; A47J 37/0892; F24C 15/10; F24C 15/102
See application file for complete search history.

(56) **References Cited**

U.S. PATENT DOCUMENTS

D472,421 S * 4/2003 To D7/330
D503,581 S * 4/2005 Wong D7/330

D510,676 S * 10/2005 Picozza D7/330
D553,421 S * 10/2007 Kim D7/330
D554,932 S * 11/2007 Kim D7/330
D554,933 S * 11/2007 Kim D7/330
D567,570 S * 4/2008 O'Loughlin D7/330
D640,893 S * 7/2011 Lindquist D7/330
D644,473 S * 9/2011 Pantaleo D7/330
D702,074 S * 4/2014 De'Longhi D7/330
D746,093 S * 12/2015 Bazzicalupo D7/330
D761,610 S * 7/2016 Carpenter D7/330
D777,501 S * 1/2017 Lee D7/330

* cited by examiner

Primary Examiner — Ricky Pham

(74) *Attorney, Agent, or Firm* — Cook Alex Ltd.; R. Blake Johnston

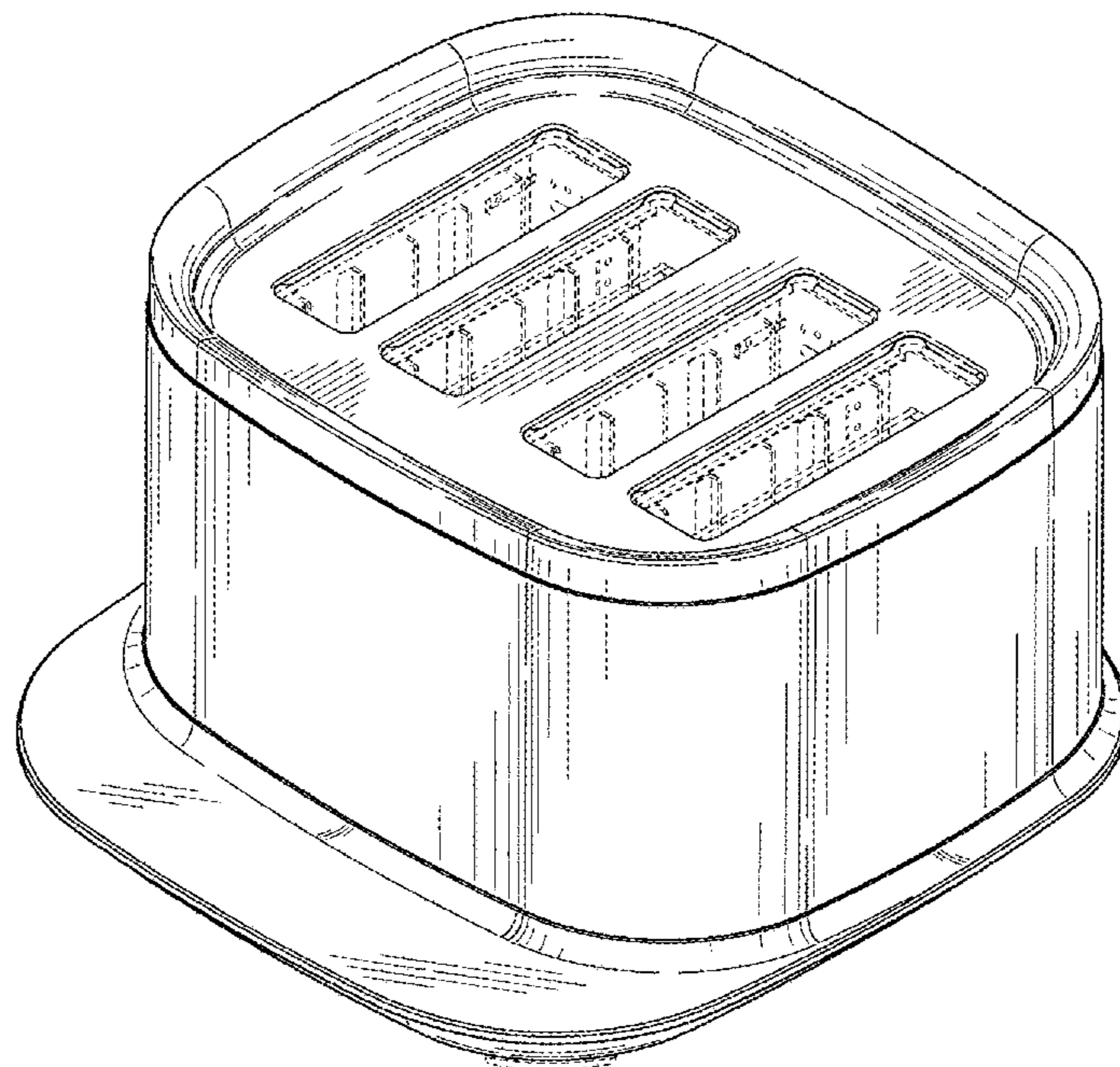
(57) **CLAIM**

The ornamental design for a toaster, as shown and described.

DESCRIPTION

FIG. 1 is a perspective view of the toaster;
FIG. 2 is a front elevational view of the toaster;
FIG. 3 is a rear elevational view of the toaster;
FIG. 4 is a left side elevational view of the toaster;
FIG. 5 is a right side elevational view of the toaster;
FIG. 6 is a top plan view of the toaster; and,
FIG. 7 is a bottom plan view of the toaster.
The broken lines shown in the drawings are for illustrative purposes only and form no part of the claimed design.

1 Claim, 5 Drawing Sheets



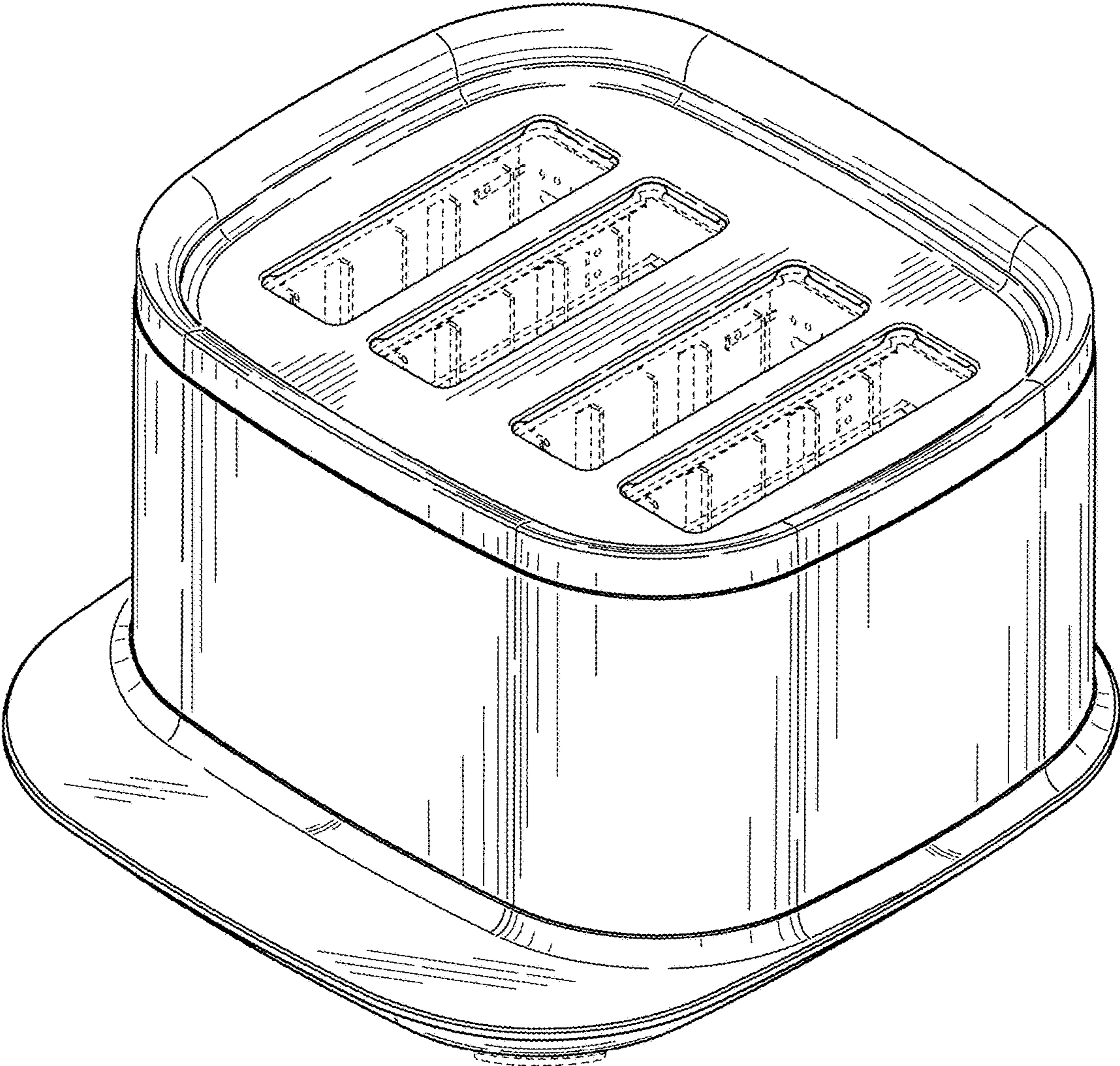


FIG. 1

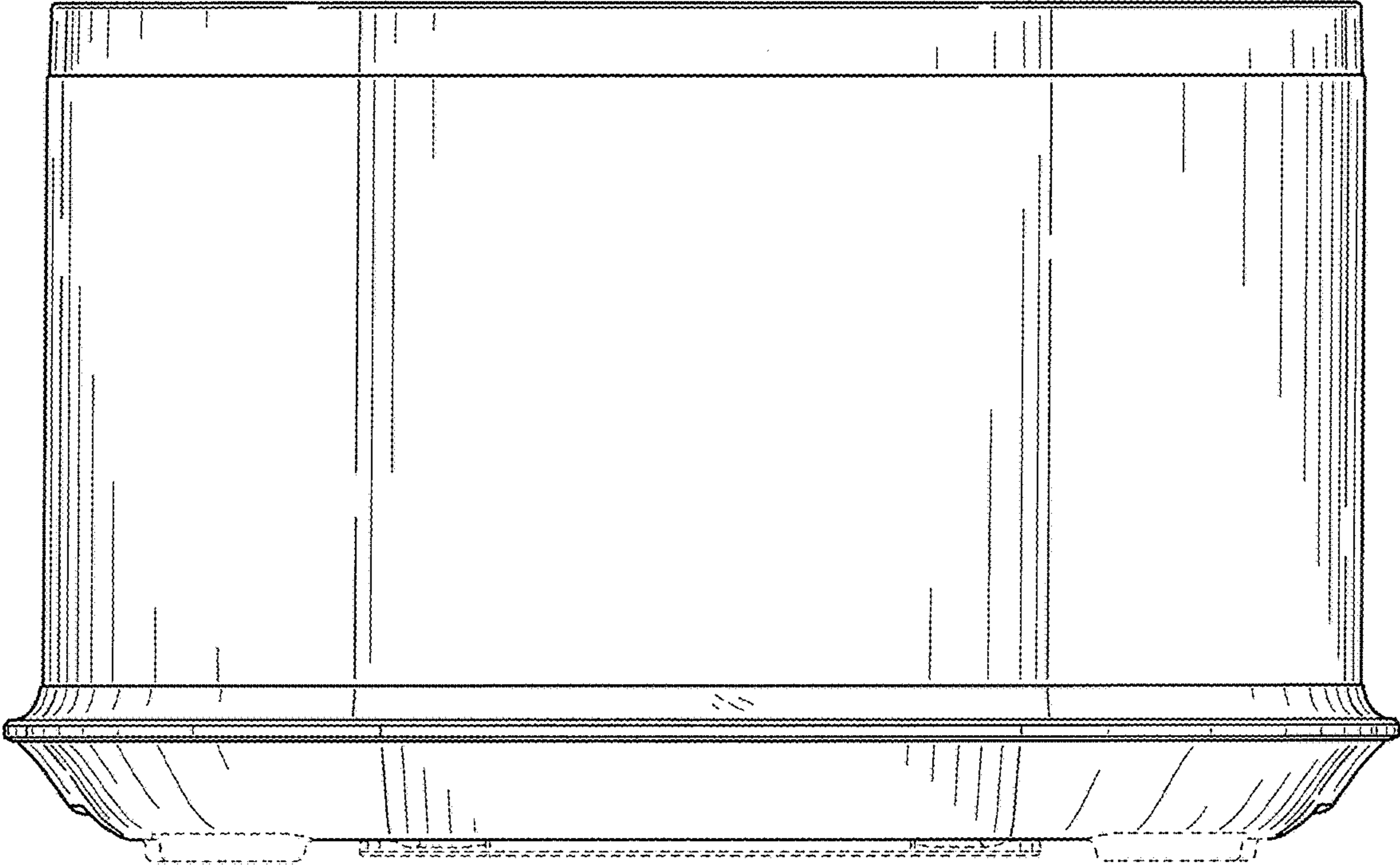


FIG. 2

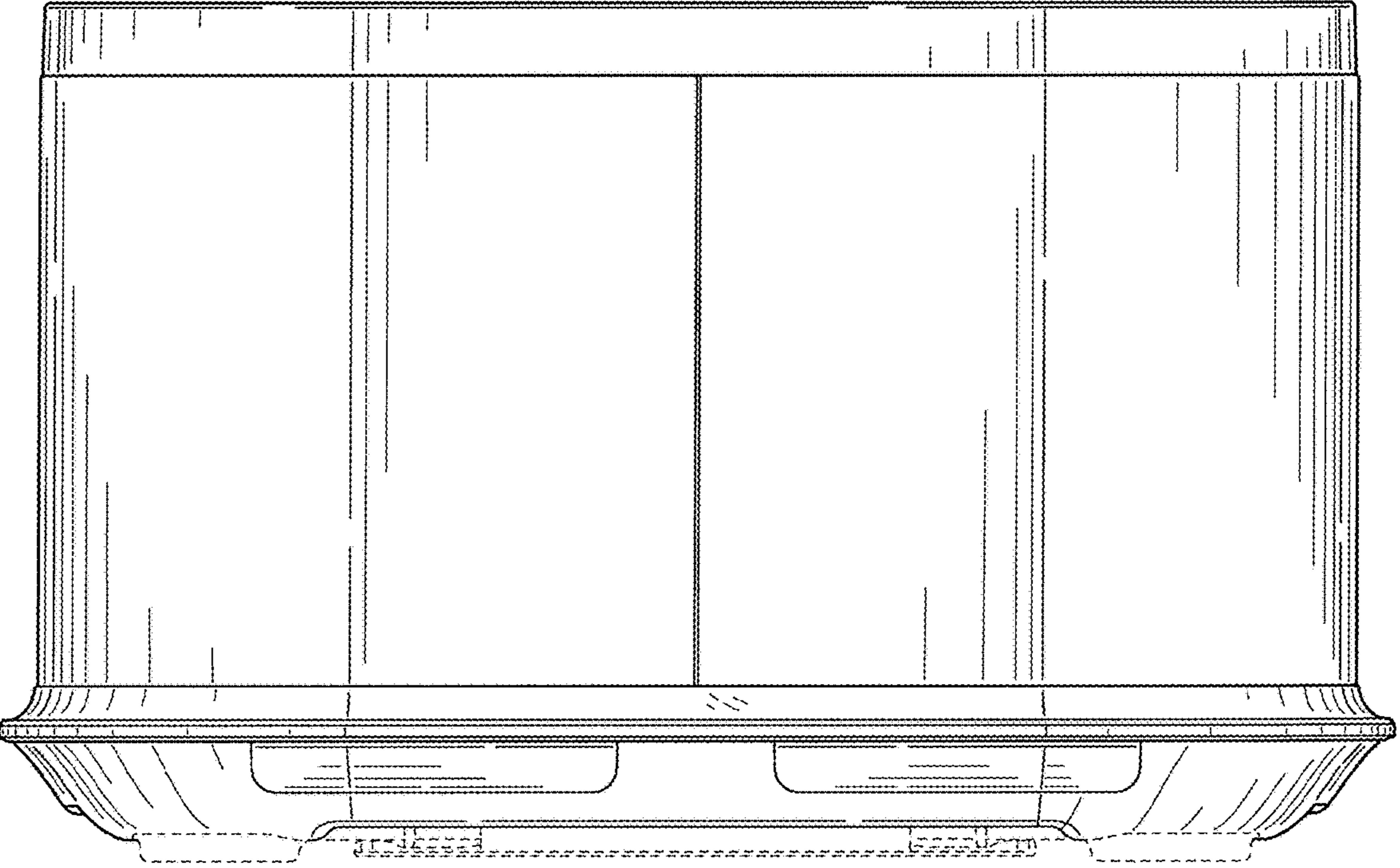


FIG. 3

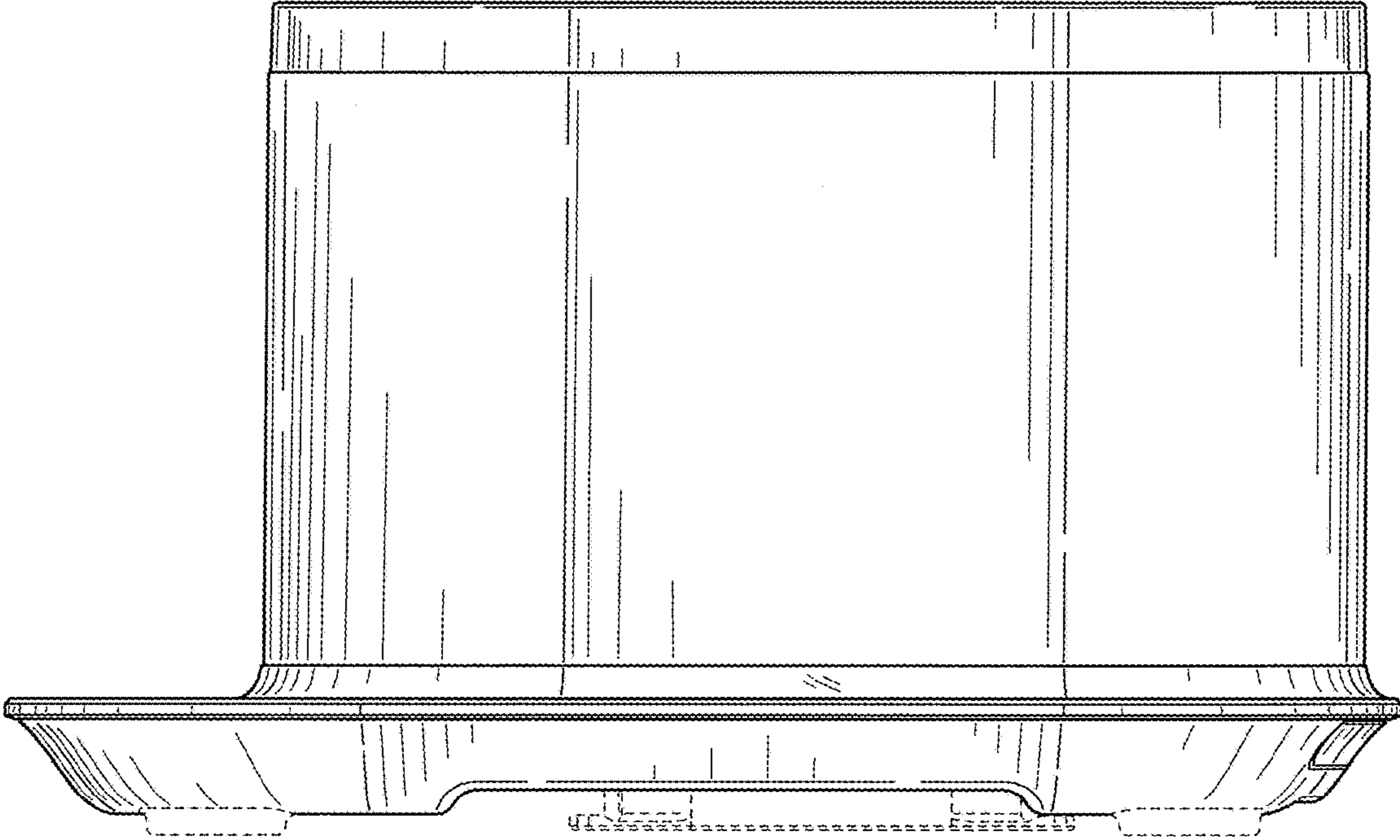


FIG. 4

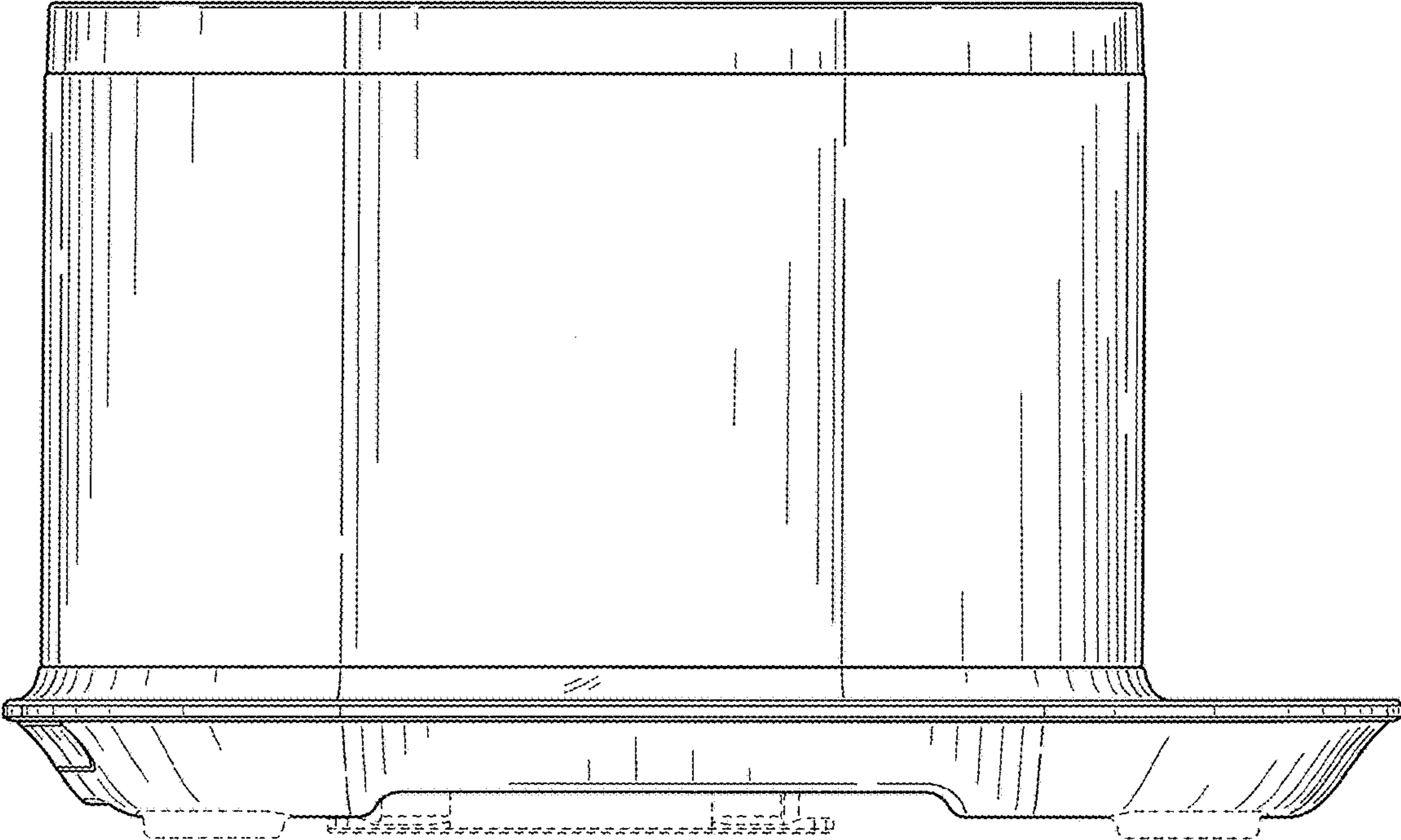


FIG. 5

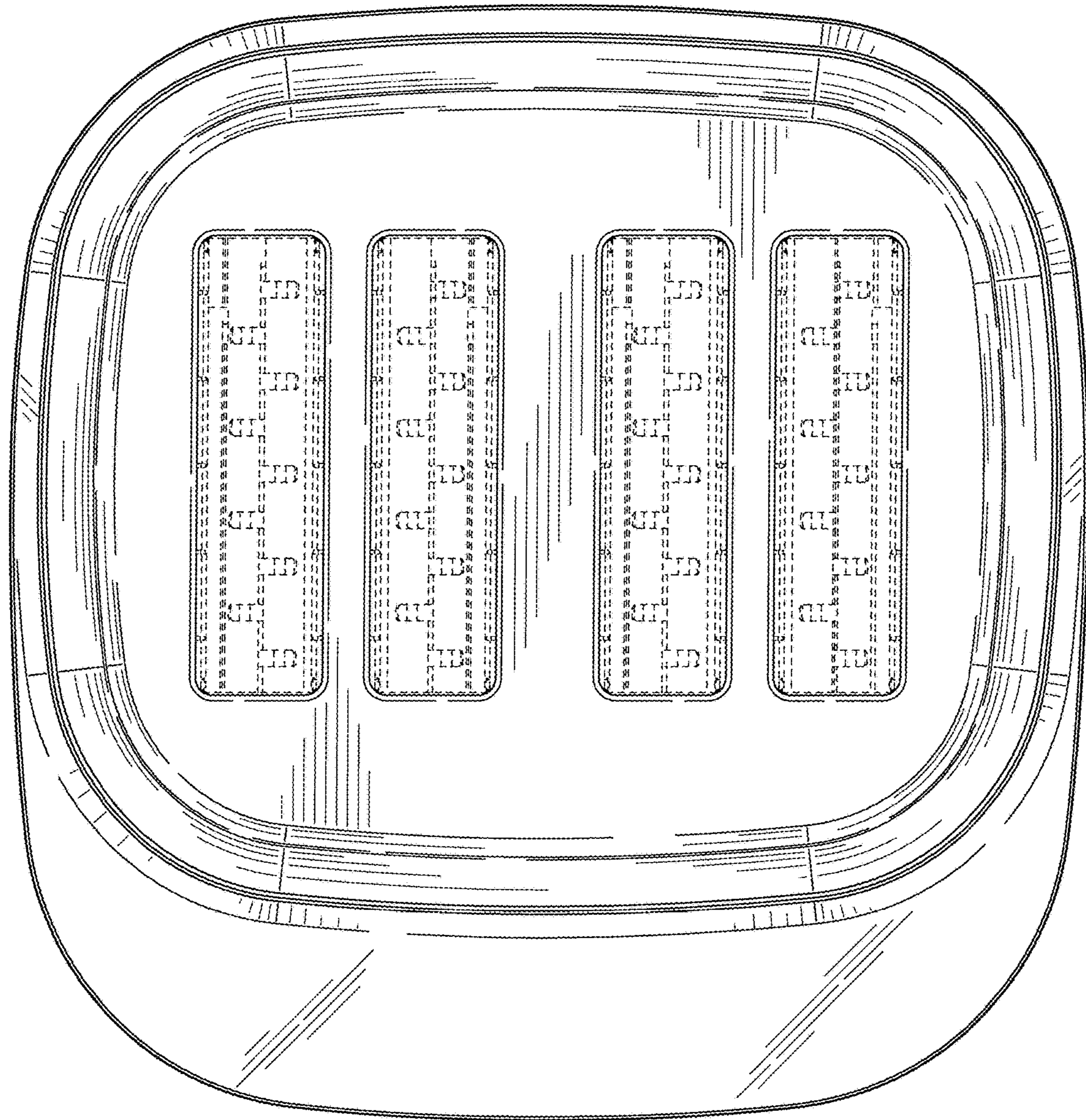


FIG. 6

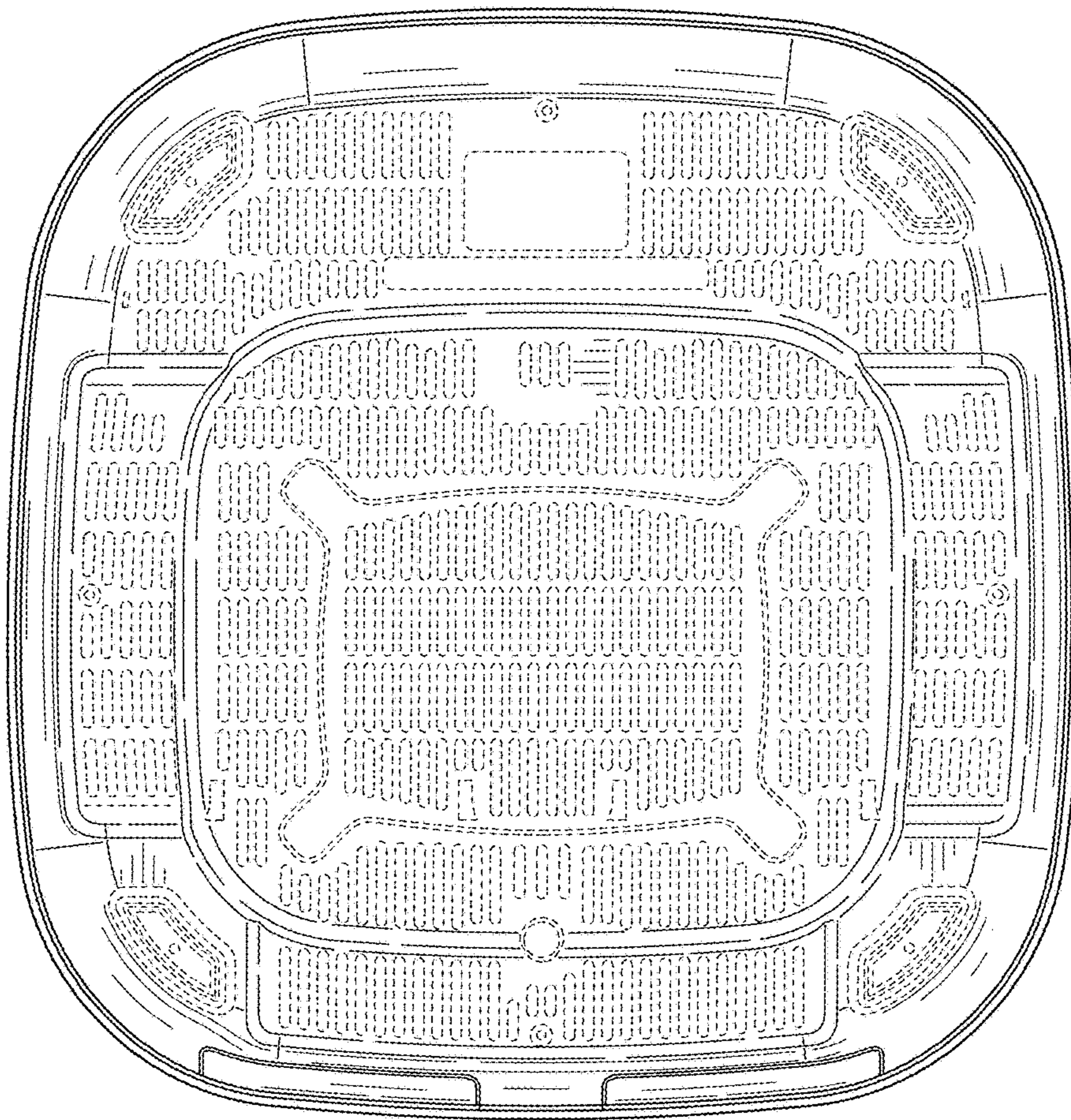


FIG. 7