



US00D799883S

(12) **United States Design Patent** (10) **Patent No.:** **US D799,883 S**
Bond et al. (45) **Date of Patent:** **** Oct. 17, 2017**

(54) **KETTLE POPPER**
(71) Applicant: **Nostalgia Products LLC**, Green Bay, WI (US)
(72) Inventors: **Gregg Bond**, Beverly Hills, CA (US); **Edward E. Boughton, III**, Ventura, CA (US)
(73) Assignee: **NOSTALGIA PRODUCTS LLC**, Green Bay, WI (US)
(**) Term: **15 Years**
(21) Appl. No.: **29/550,997**
(22) Filed: **Jan. 8, 2016**
(51) **LOC (10) Cl.** **31-00**
(52) **U.S. Cl.**
USPC **D7/325; D7/354**
(58) **Field of Classification Search**
USPC D7/323, 324, 325, 337, 346, 347, 378, D7/384; D20/1; 219/400
CPC A23L 7/139; A23L 7/148; A23L 7/174; A23L 7/187; A23L 7/191
See application file for complete search history.

D592,903 S * 5/2009 Olson D7/376
D595,087 S * 6/2009 Metaxatos D7/412
D628,847 S * 12/2010 Liu D7/325

(Continued)

Primary Examiner — Caron D Veynar
Assistant Examiner — Mehri Bajoul
(74) *Attorney, Agent, or Firm* — Blakely Sokoloff Taylor & Zafman LLP

(57) **CLAIM**

The ornamental design for kettle popper, as shown and described.

DESCRIPTION

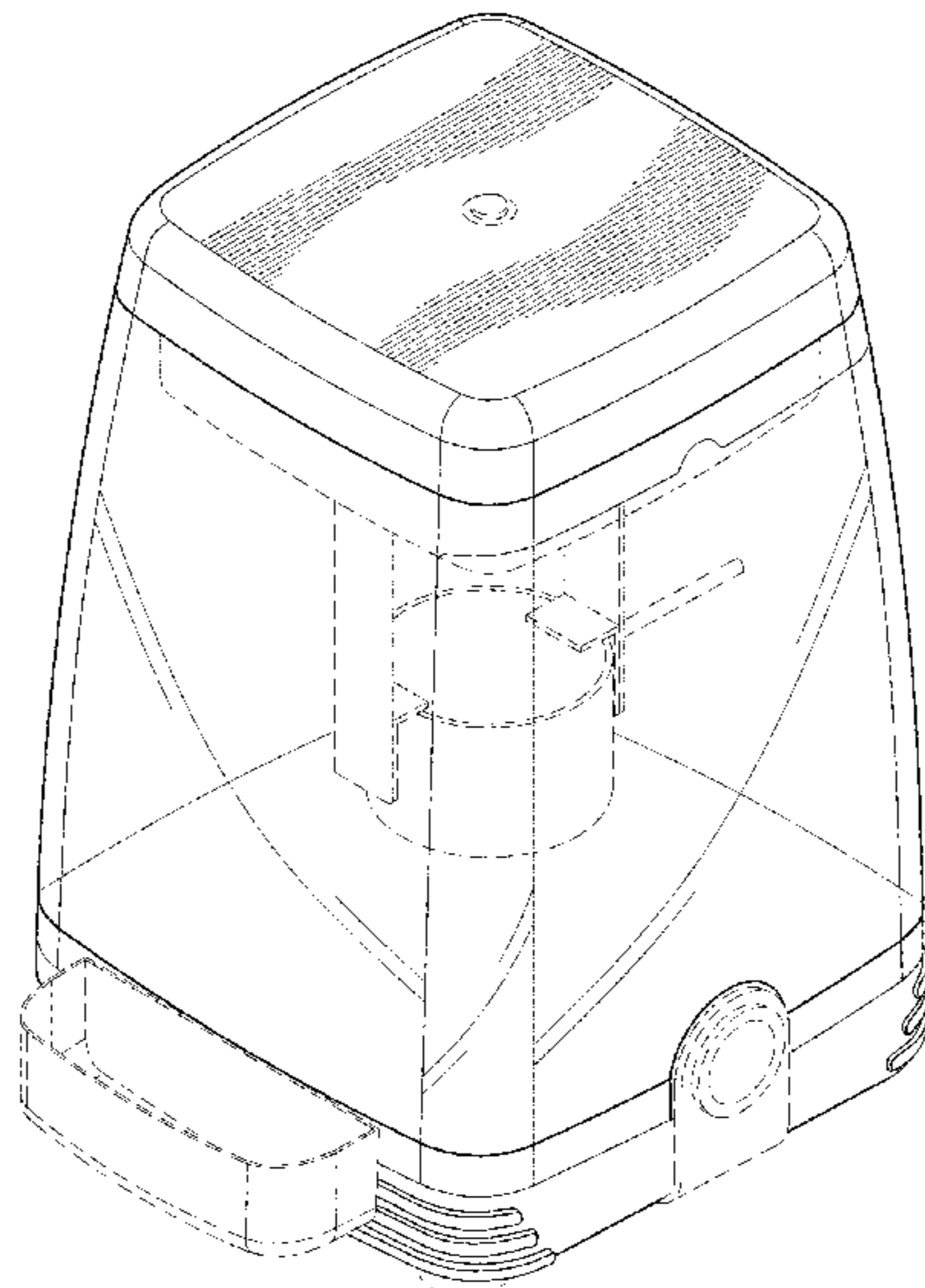
FIG. 1 is a front, side perspective view of our new design; FIG. 2 is a front elevation view thereof; FIG. 3 is a rear elevation view thereof; FIG. 4 is a left side elevation view thereof; FIG. 5 is a right side elevation view thereof; FIG. 6 is a top plan view thereof; FIG. 7 is a bottom plan view thereof; FIG. 8 is a front, side perspective view of an alternate embodiment thereof; FIG. 9 is a front elevation view of the alternate embodiment thereof; FIG. 10 is a rear elevation view of an alternate embodiment thereof; FIG. 11 is a left side elevation view of an alternate embodiment thereof; FIG. 12 is a right side elevation view of an alternate embodiment thereof; FIG. 13 is a top plan view of the alternate embodiment thereof; and, FIG. 14 is a bottom plan view of the alternate embodiment thereof.
The broken lines shown in the drawings represent portions of the kettle popper that form no part of the claimed design.

(56) **References Cited**

U.S. PATENT DOCUMENTS

D260,649 S * 9/1981 Wondergem D7/325
D262,426 S * 12/1981 Bluestein D7/325
4,563,561 A * 1/1986 Vaeth A47J 36/027
219/732
D289,359 S * 4/1987 Vaeth D7/325
D389,891 S * 1/1998 Kawasaki D21/811
D421,284 S * 2/2000 Huang D21/811
D536,992 S * 2/2007 Garg D9/425
7,243,813 B2 * 7/2007 Krueger B65D 21/0219
220/571
D551,016 S * 9/2007 Bond D7/325
D552,405 S * 10/2007 Bond D7/325
D584,915 S * 1/2009 Brown D7/354

1 Claim, 14 Drawing Sheets



(56)

References Cited

U.S. PATENT DOCUMENTS

D632,123	S *	2/2011	Kauer	D7/325
D633,748	S *	3/2011	Haskin	D7/325
D645,292	S *	9/2011	Bond	D7/325
D653,498	S *	2/2012	Bond	D7/387
D677,969	S *	3/2013	Bond	D7/325
D682,004	S *	5/2013	Kauer	D7/325
D722,245	S *	2/2015	Mao	D7/325
D770,225	S *	11/2016	McConnell	D7/376
D777,505	S *	1/2017	Carpenter	D7/354
2009/0126579	A1 *	5/2009	Cretors	A23L 7/187 99/323.11
2015/0082992	A1 *	3/2015	Johnson	A23L 7/187 99/323.5

* cited by examiner

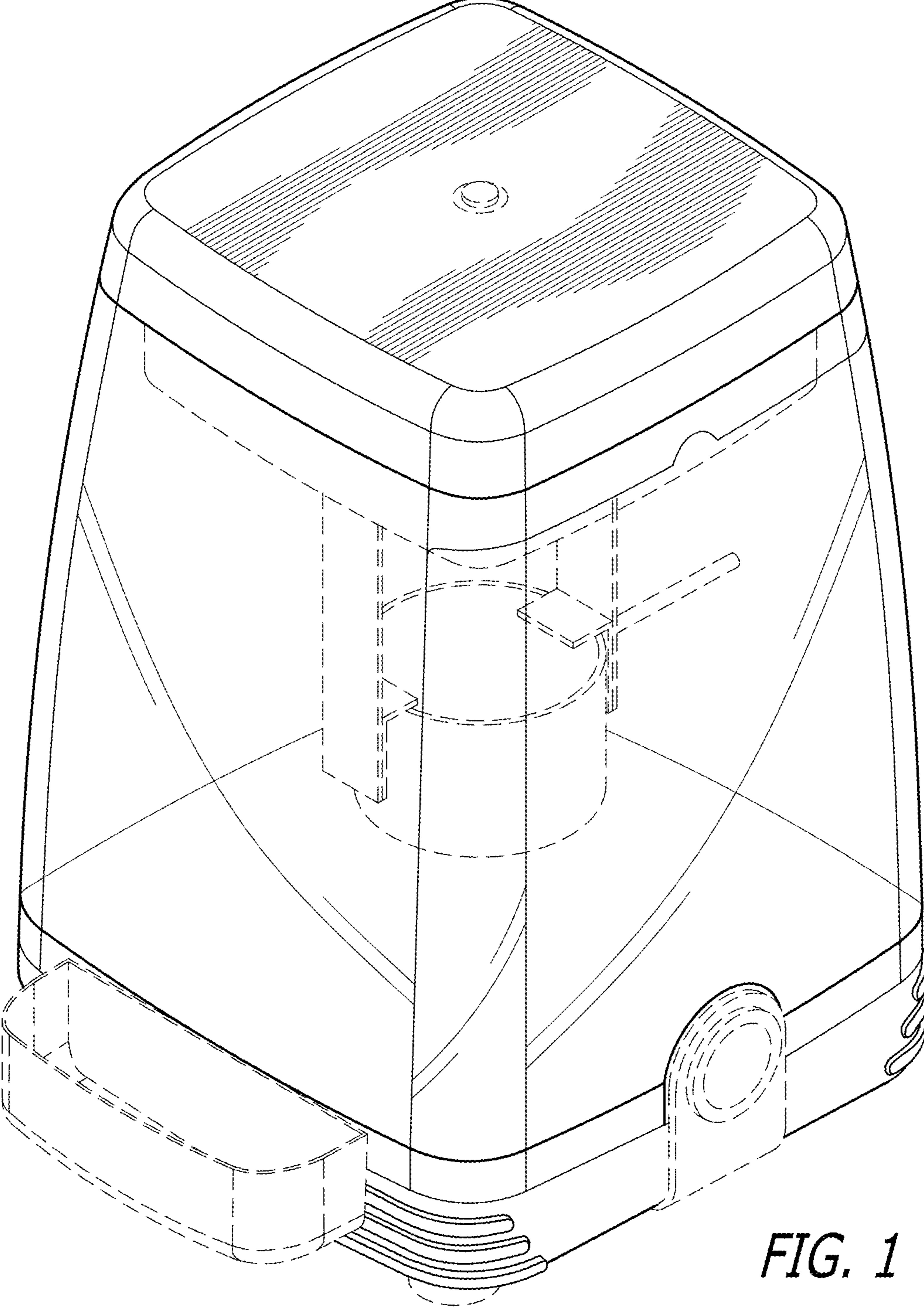


FIG. 1

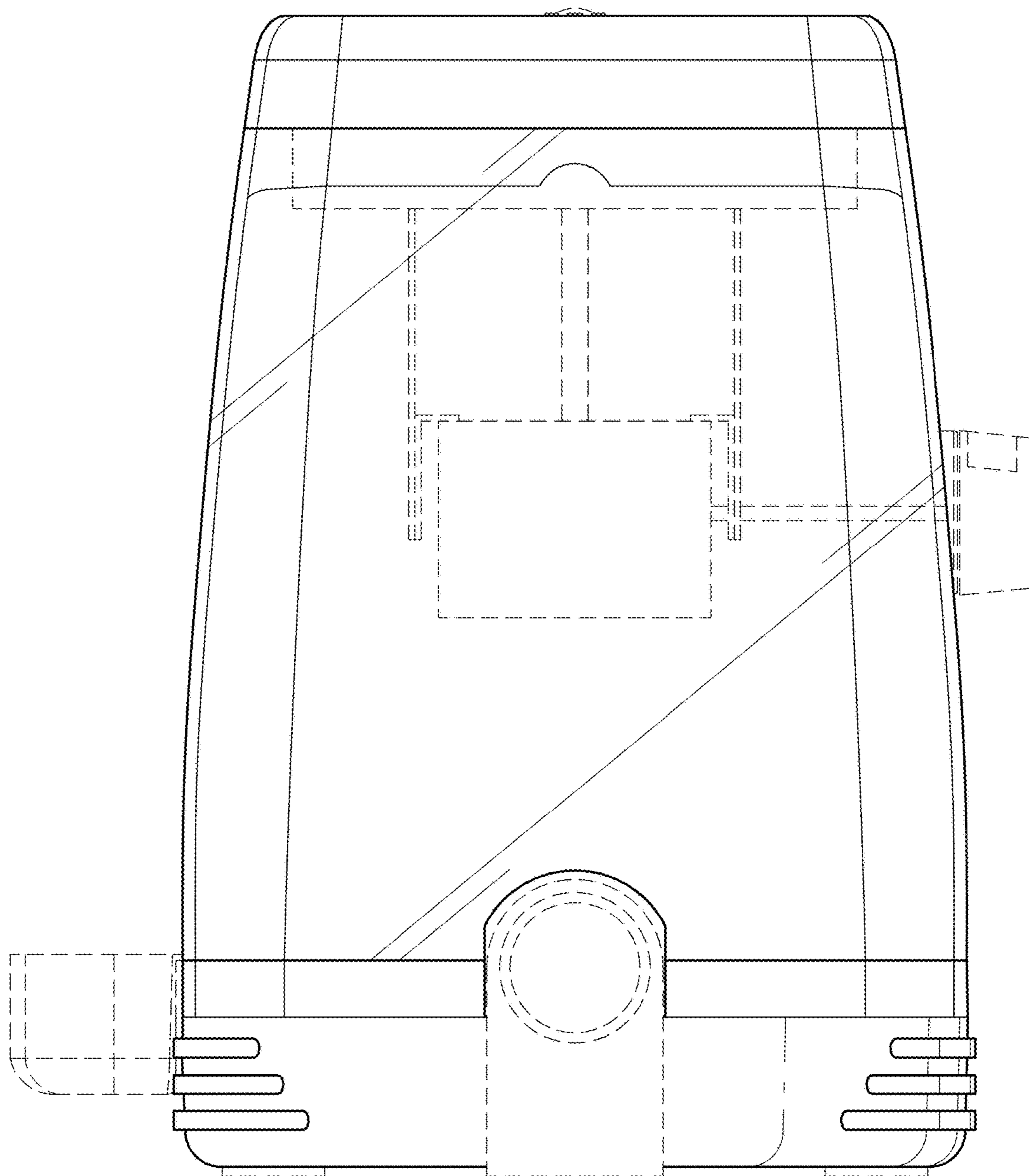


FIG. 2

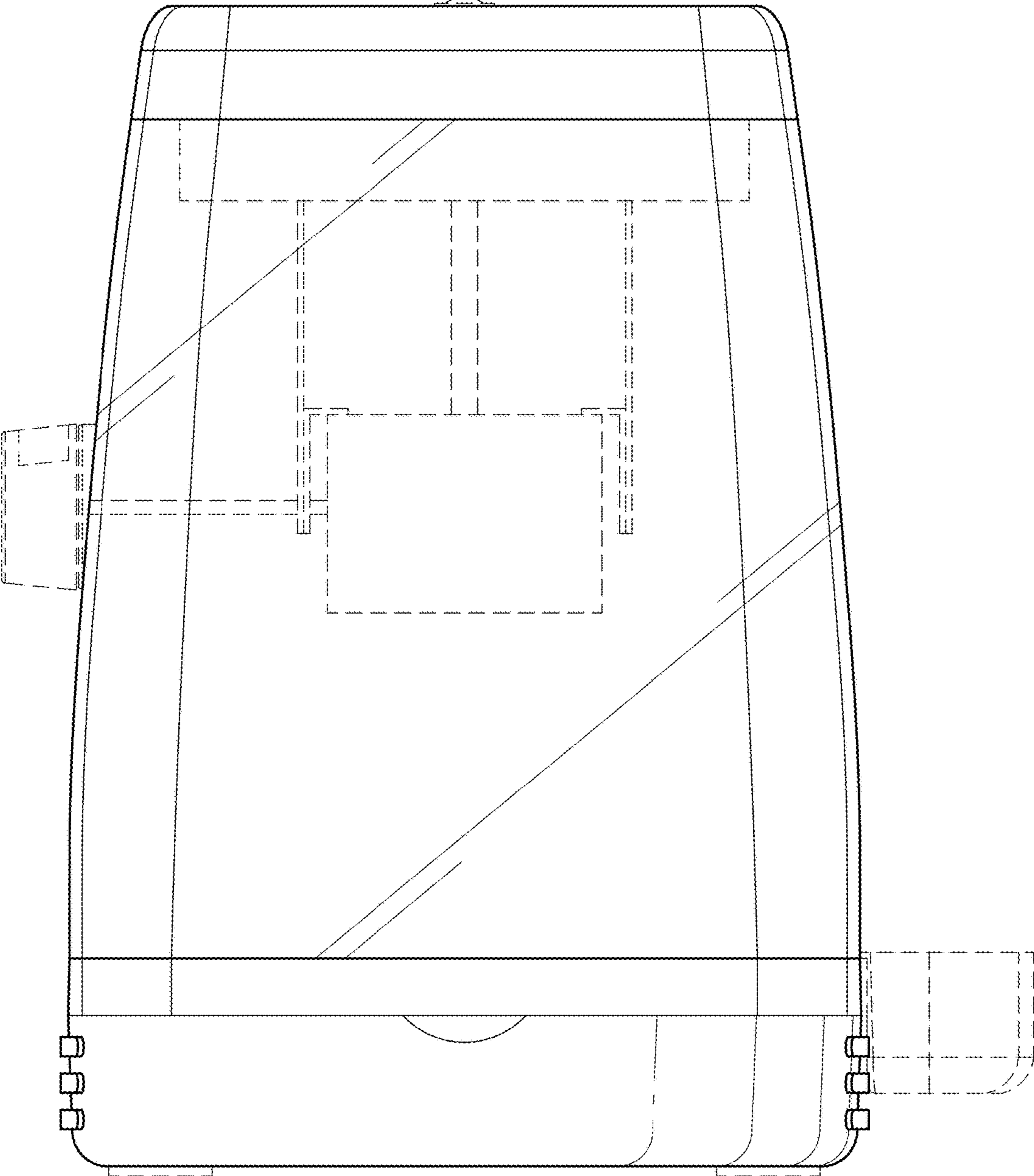


FIG. 3

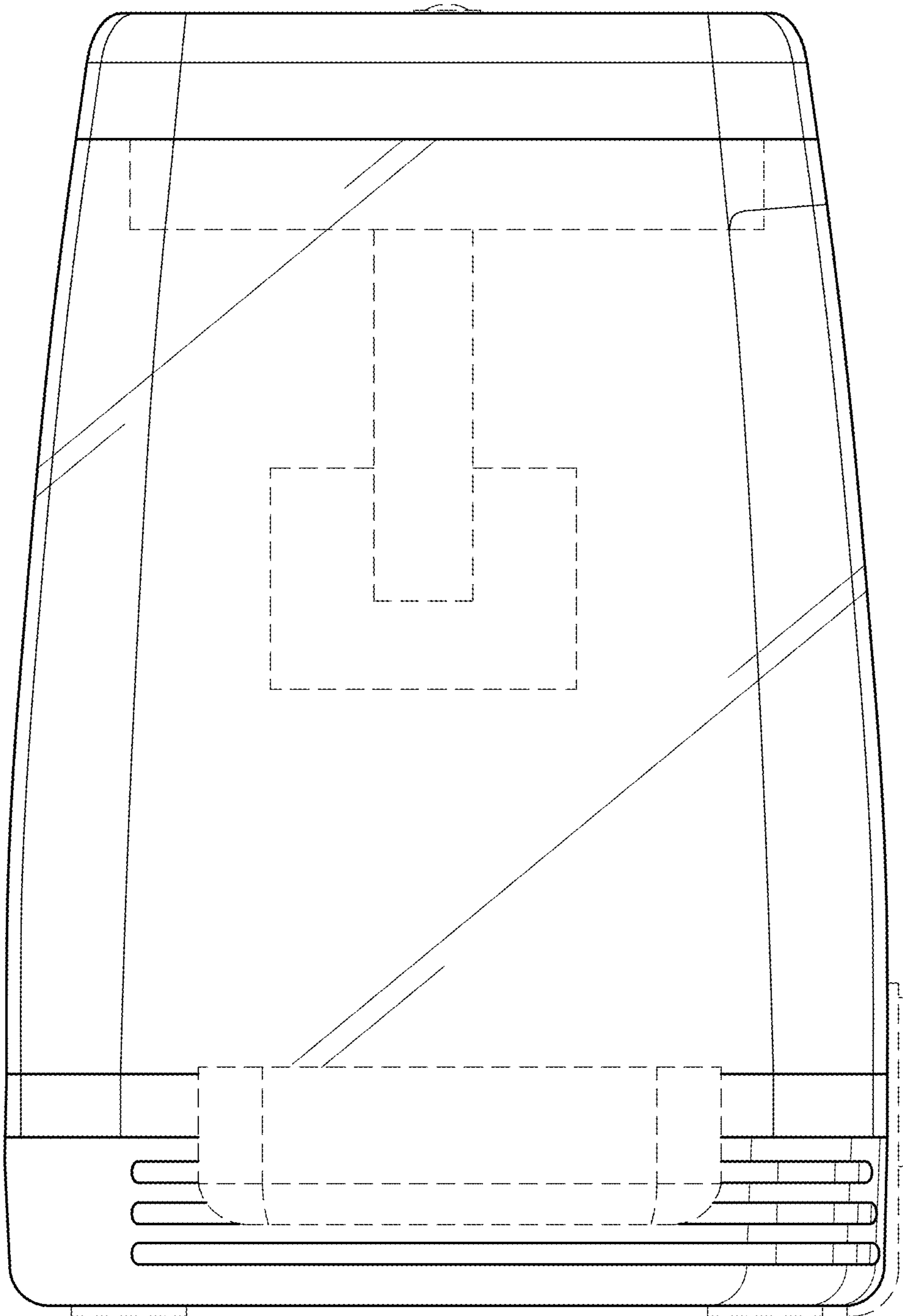


FIG. 4

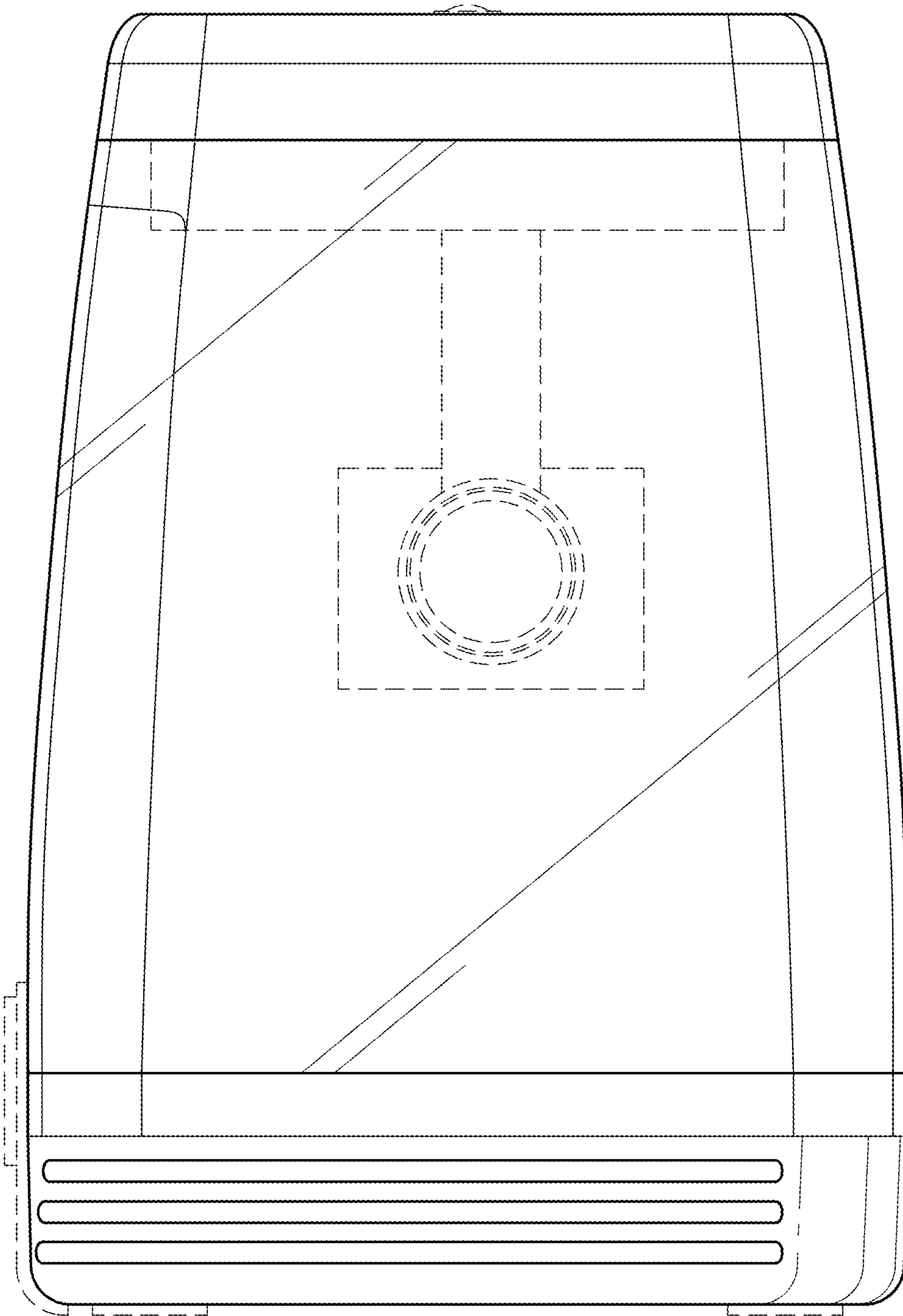


FIG. 5

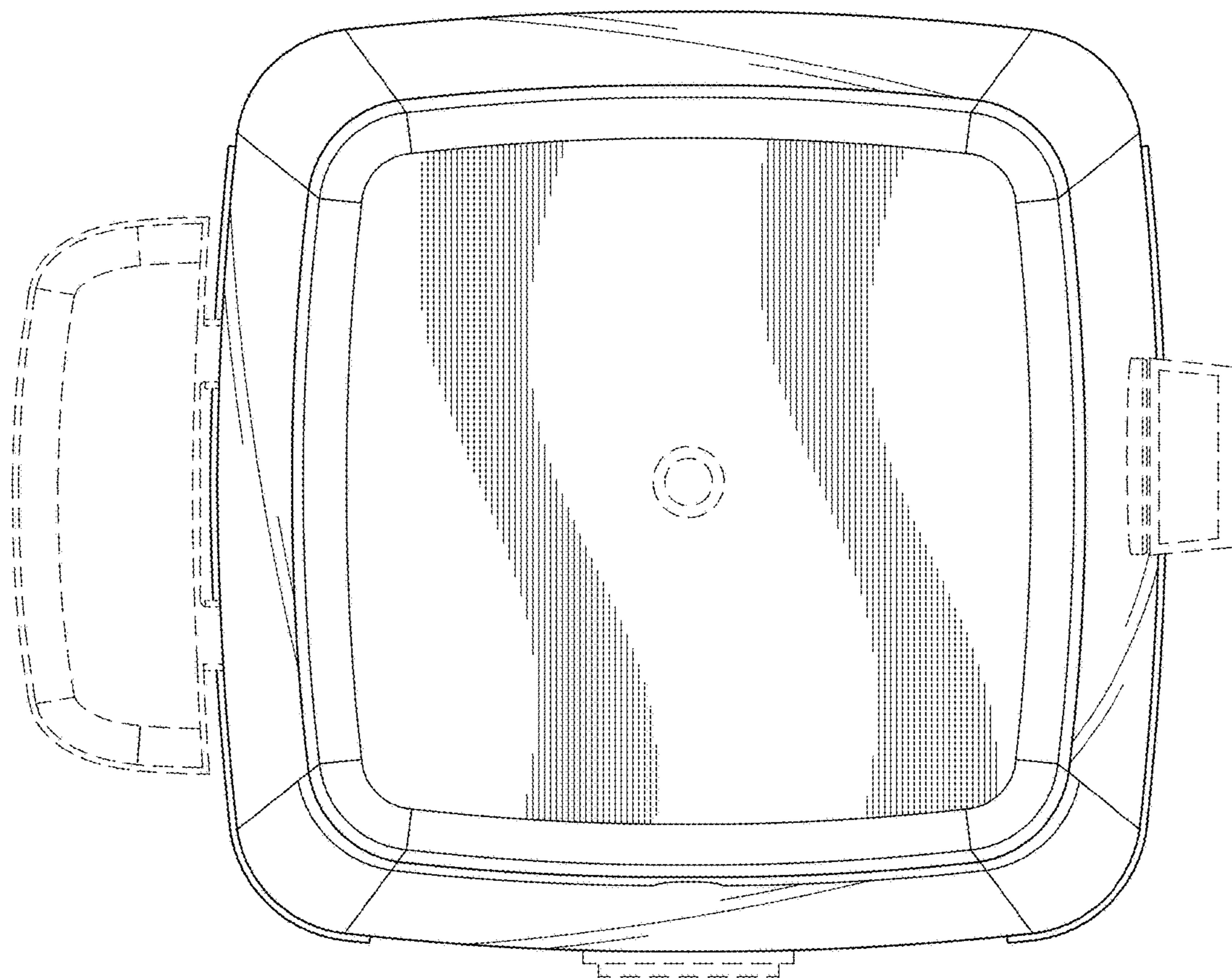


FIG. 6

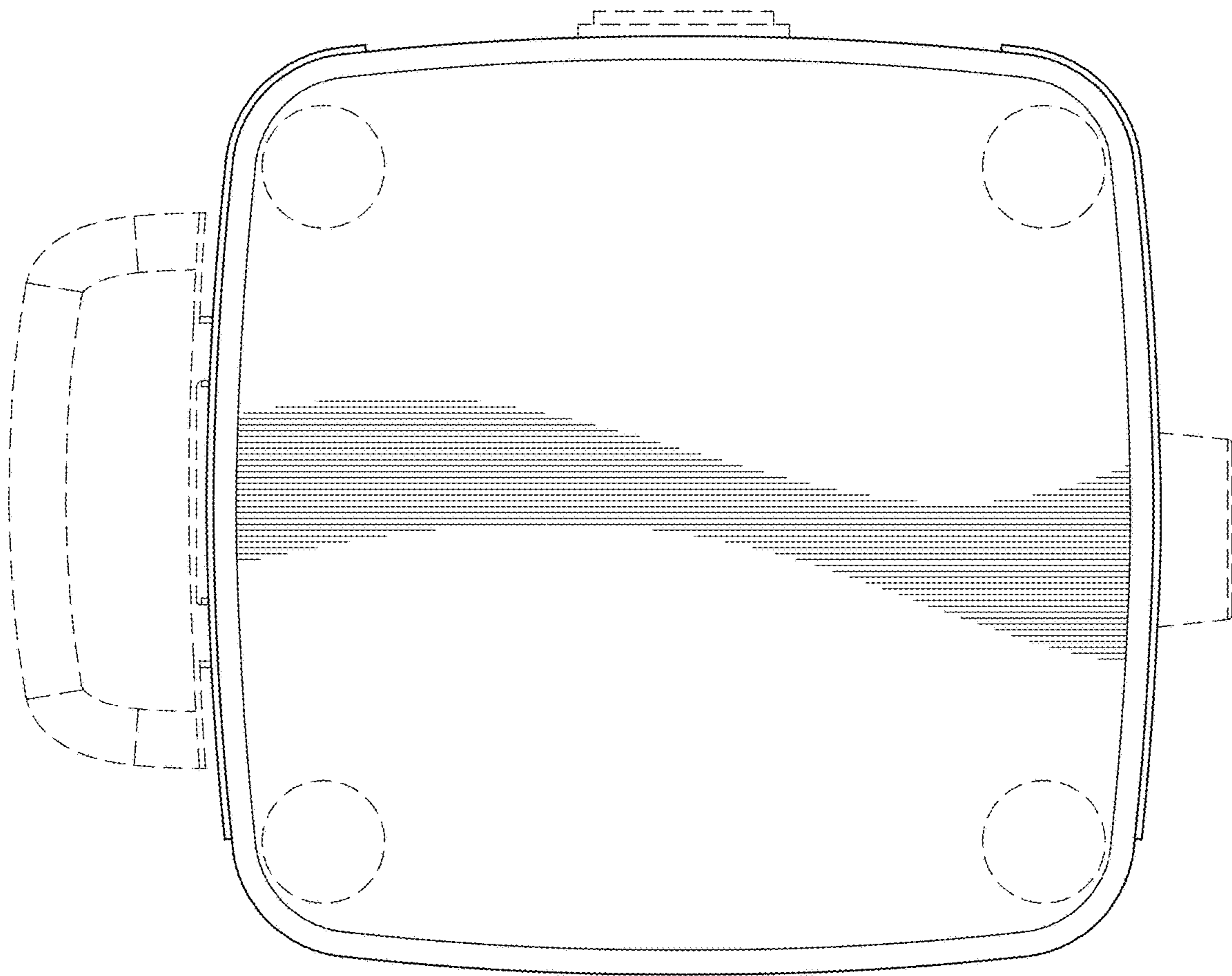
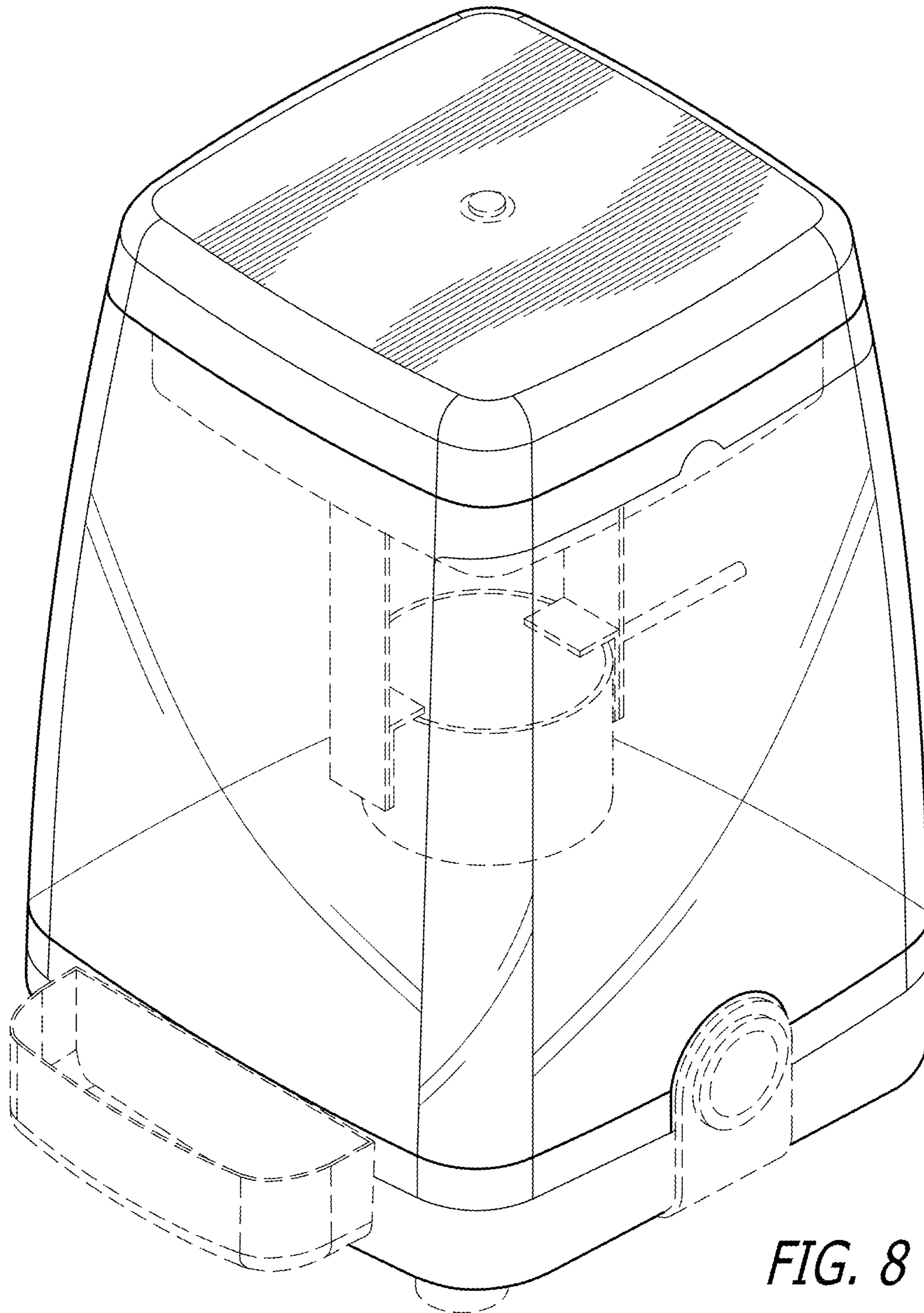


FIG. 7



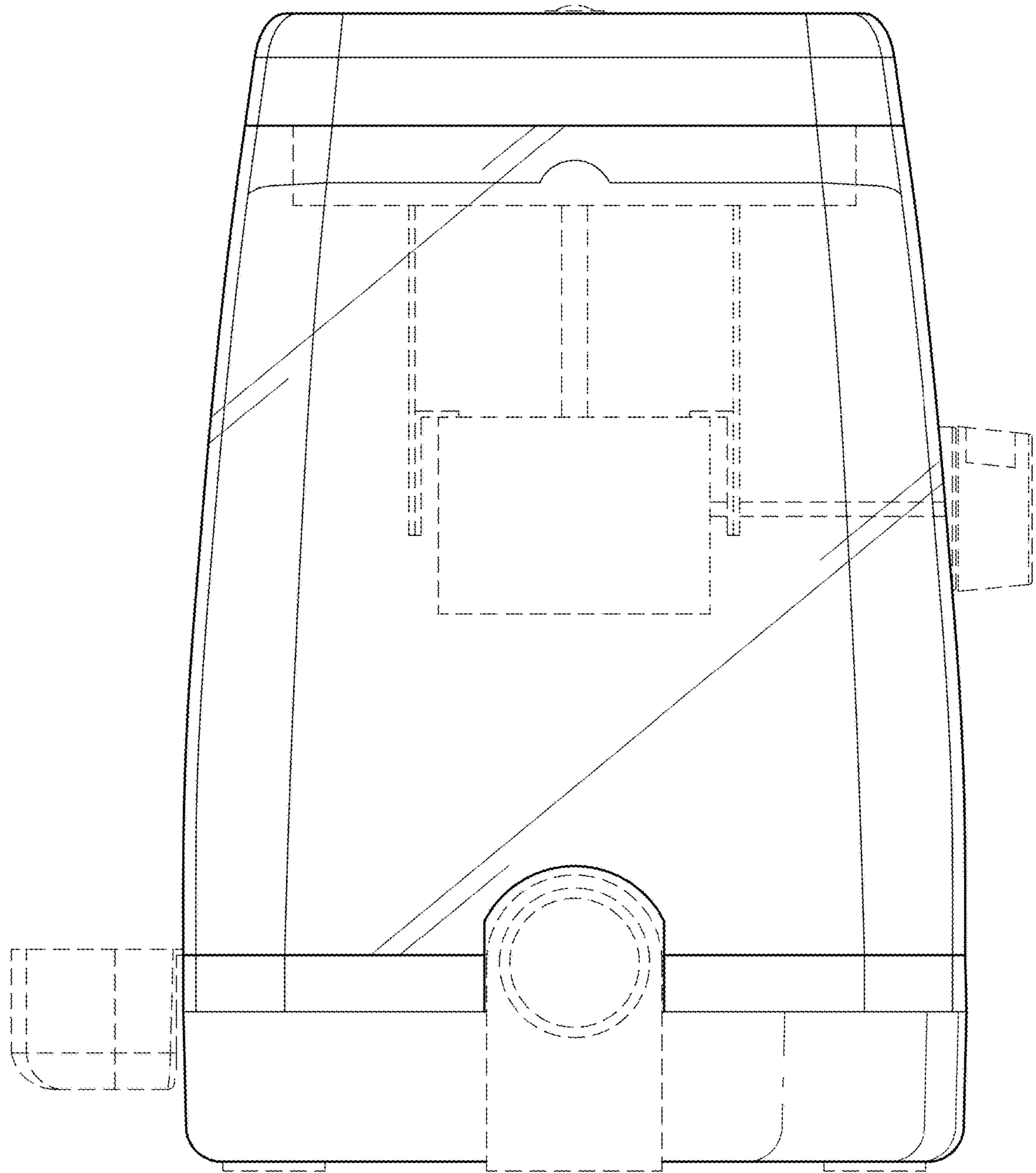


FIG. 9

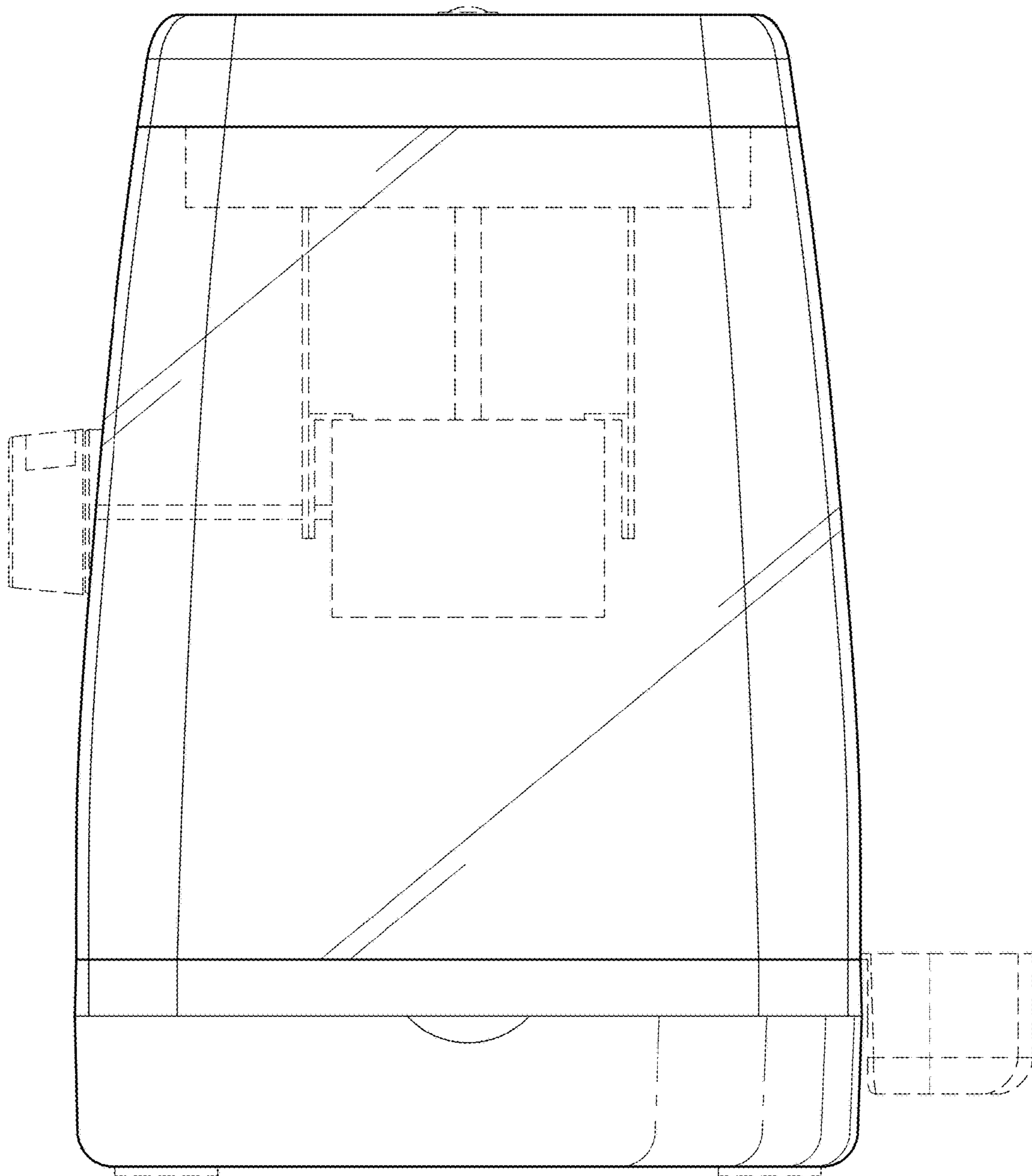


FIG. 10

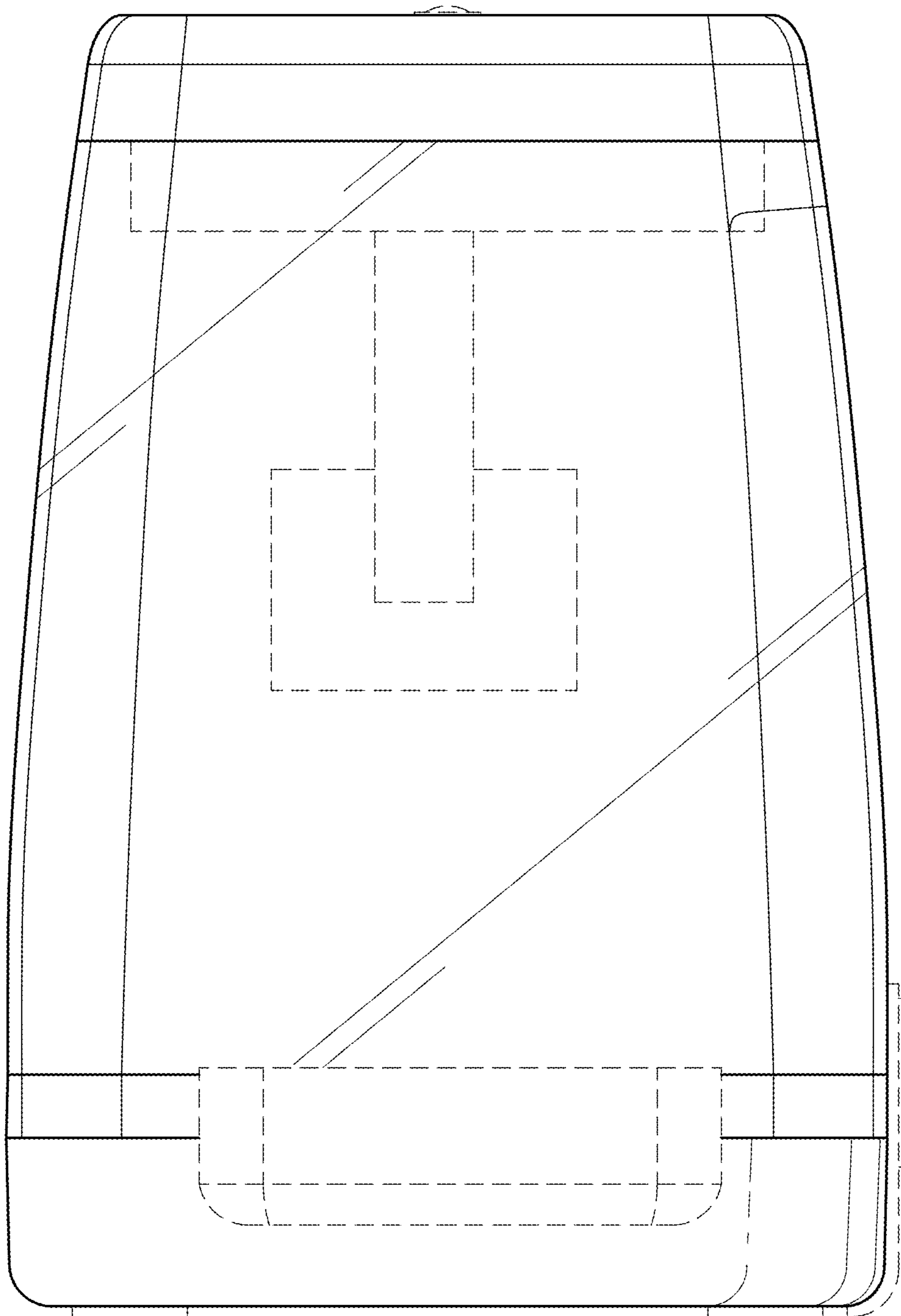


FIG. 11

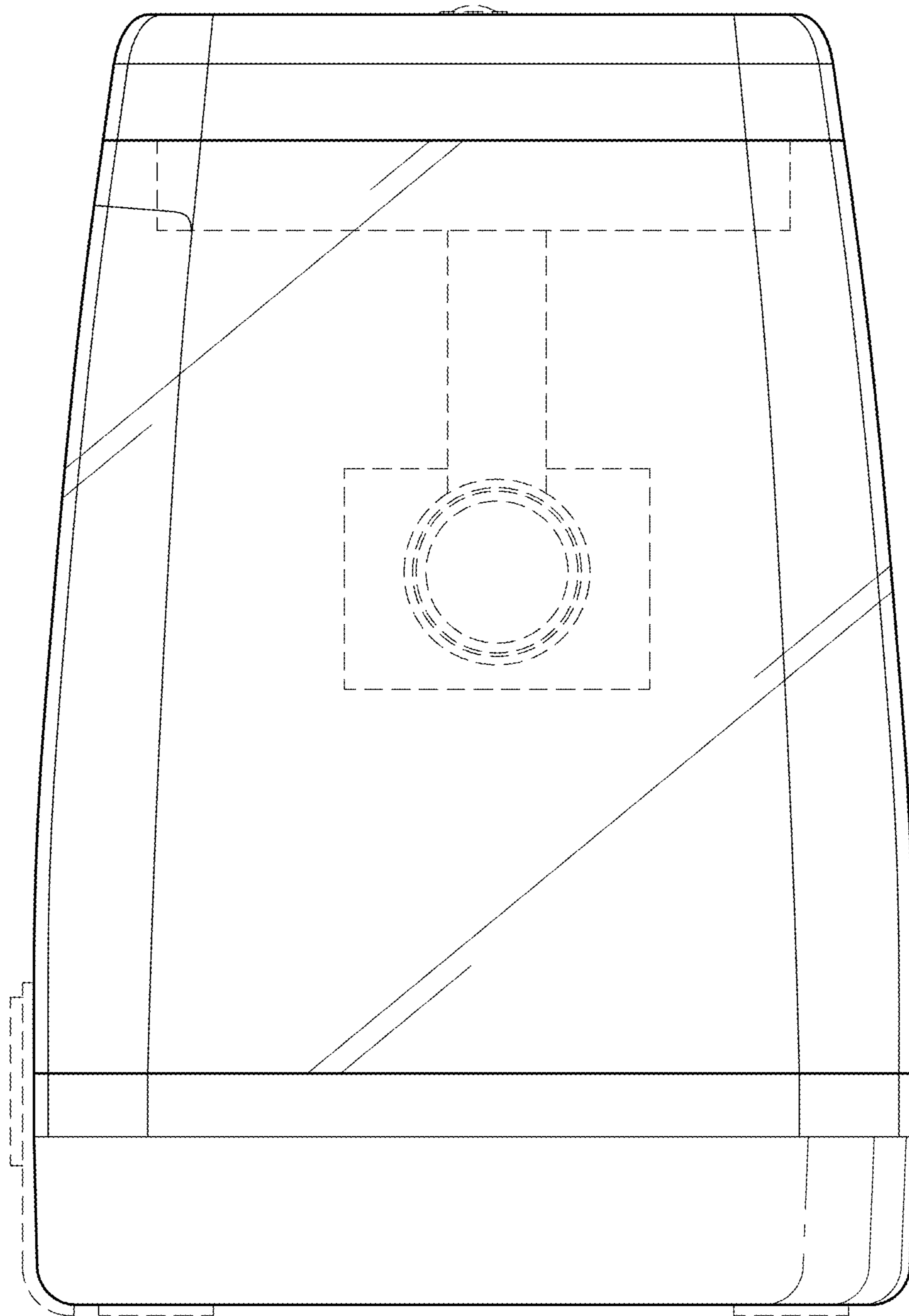


FIG. 12

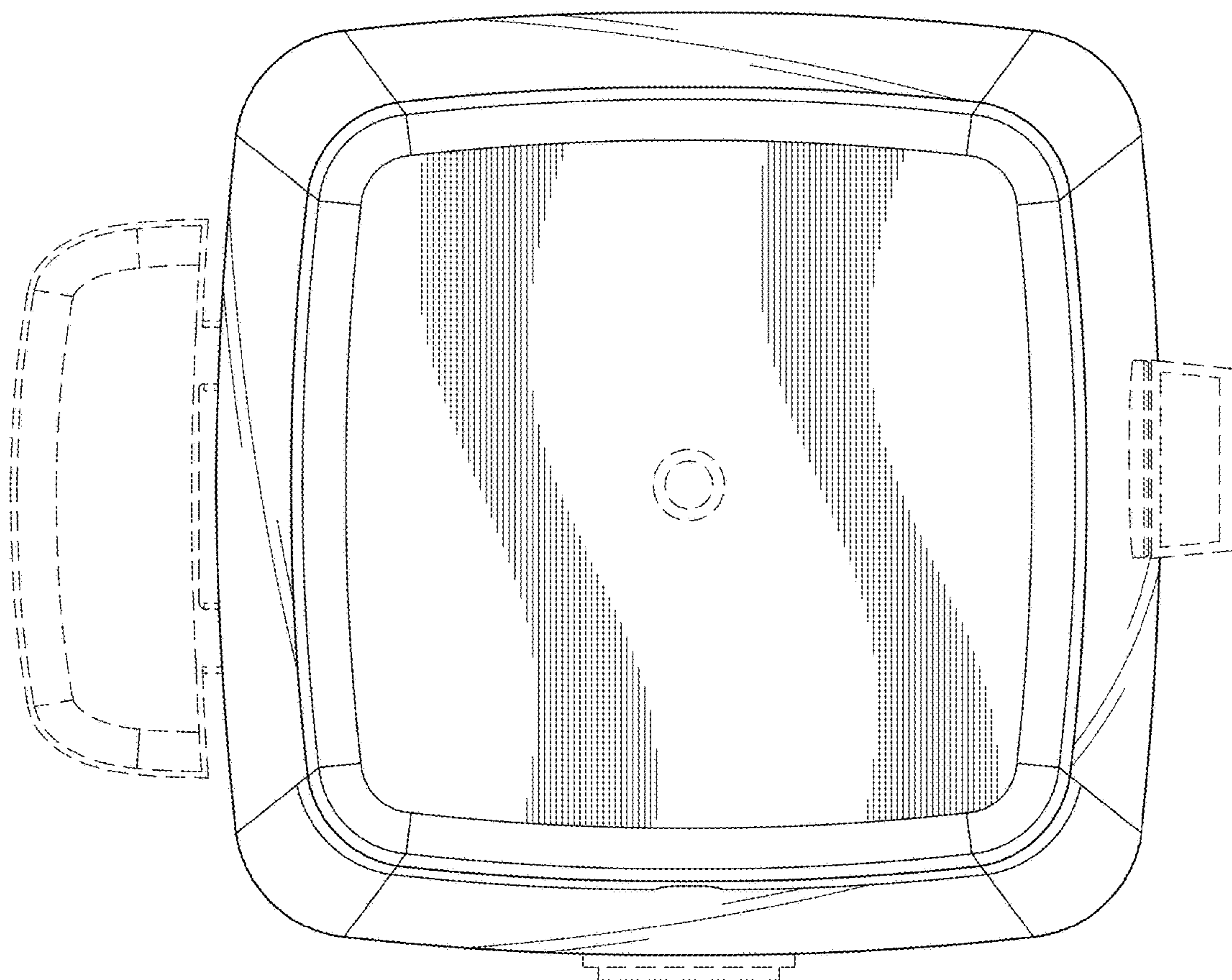


FIG. 13

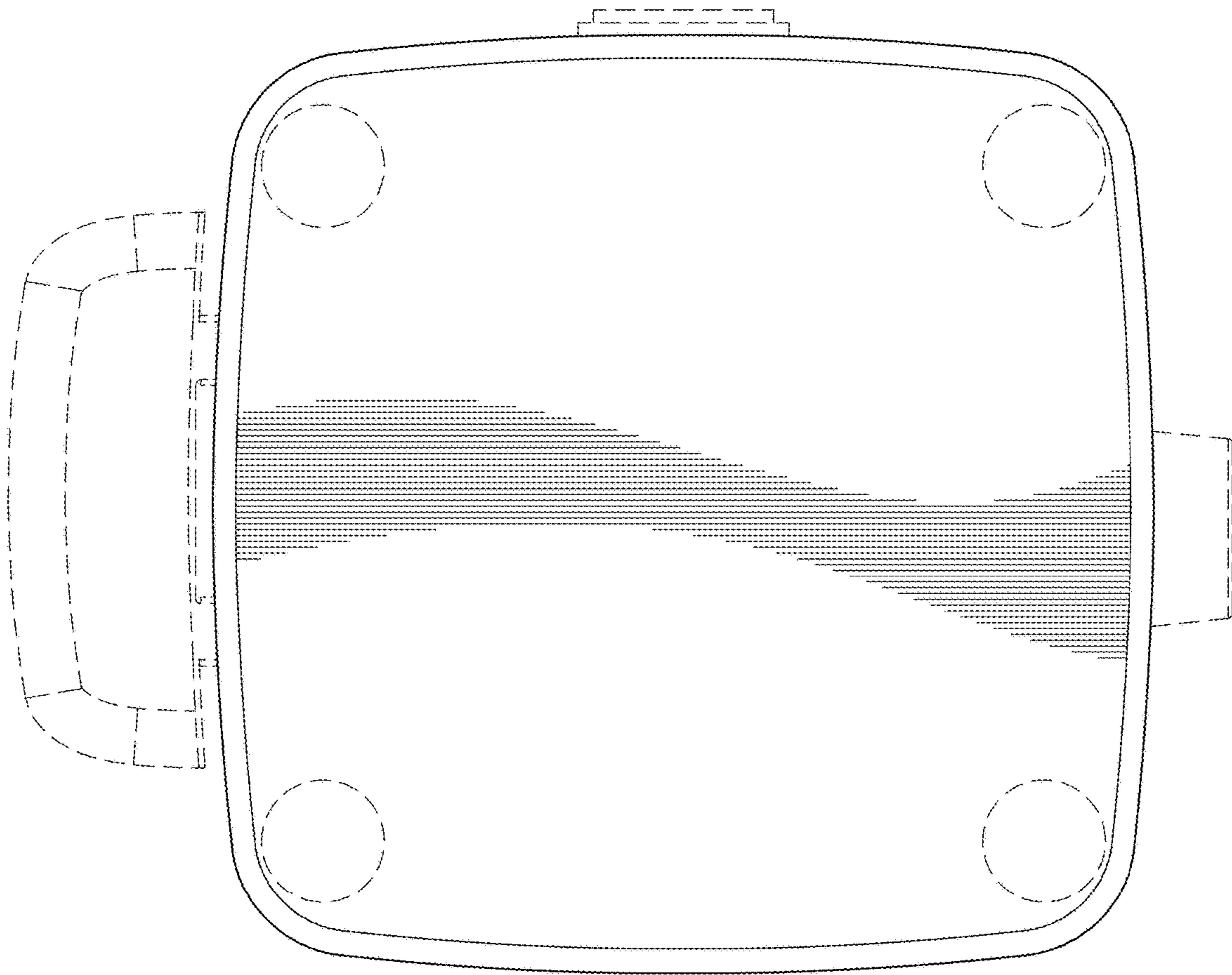


FIG. 14