



US00D799882S

(12) **United States Design Patent**
Sherwin

(10) **Patent No.:** **US D799,882 S**
(45) **Date of Patent:** **** Oct. 17, 2017**

(54) **SOLAR COOKING APPARATUS**

(71) Applicant: **Patrick Sherwin**, Cincinnati, OH (US)

(72) Inventor: **Patrick Sherwin**, Cincinnati, OH (US)

(73) Assignee: **Patrick Sherwin**, Cincinnati, OH (US)

(**) Term: **15 Years**

(21) Appl. No.: **29/529,987**

(22) Filed: **Jun. 11, 2015**

(51) **LOC (10) Cl.** **07-02**

(52) **U.S. Cl.**

USPC **D7/324; D7/354**

(58) **Field of Classification Search**

USPC ... D7/323-324, 328-330, 347, 350.1-350.4,
D7/390, 609

CPC ... A21B 2/00; A47J 37/00; A47J 37/06; A47J
37/0611; A47J 37/0688; A47J 37/08;
A47J 37/0807; A47J 37/0814; A47J
37/0835; A47J 37/0842; A47J 37/085;
A47J 37/0864; A47J 37/0871; A47J
37/0878; A47J 37/0885; A47J 37/0892;
F24C 15/10; F24C 15/102; F24J 2/02

See application file for complete search history.

(56) **References Cited**

U.S. PATENT DOCUMENTS

2,989,915 A * 6/1961 Lonzi A47J 37/0688
219/391
D256,656 S * 9/1980 Naccach D7/324
4,262,660 A * 4/1981 Ilich F24J 2/02
126/608

(Continued)

Primary Examiner — Ricky Pham

(74) *Attorney, Agent, or Firm* — Evergreen Valley Law
Group; Kanika Radhakrishnan

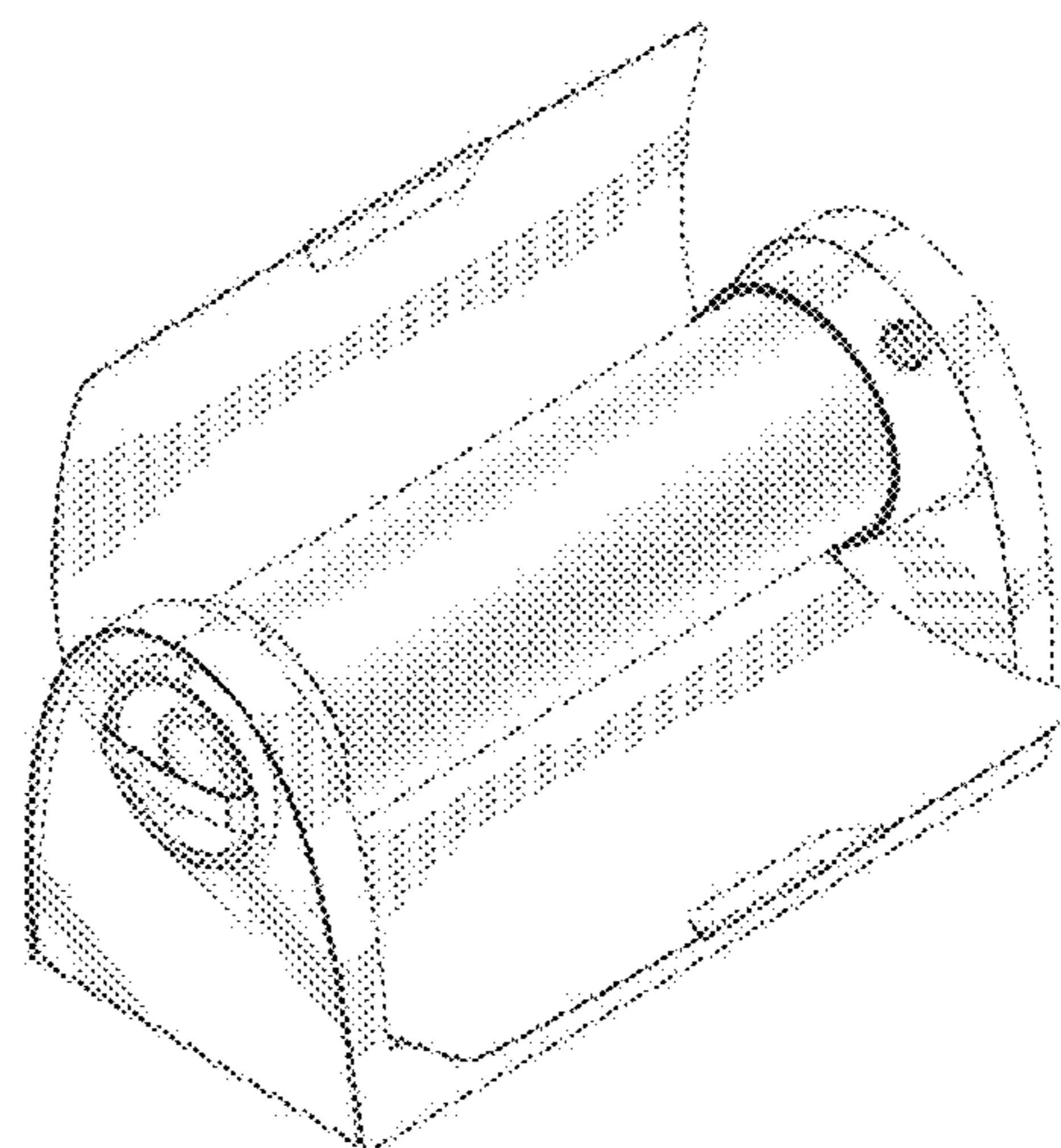
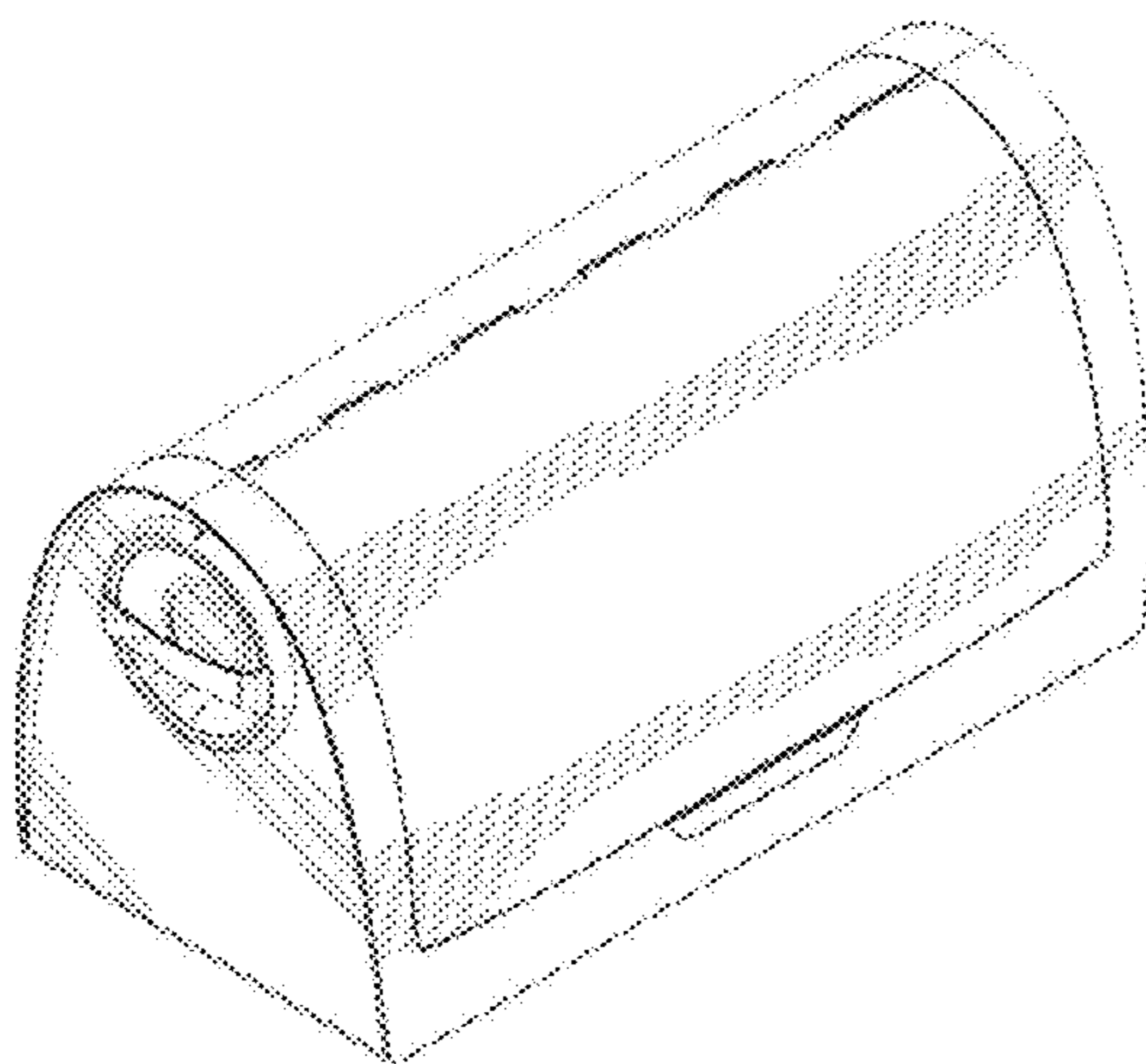
(57) **CLAIM**

The ornamental design for a solar cooking apparatus, as shown and described thereof.

DESCRIPTION

FIG. 1 illustrates the front view of the solar cooking apparatus according to the present invention; FIG. 2 illustrates the back view of the solar cooking apparatus according to the present invention; FIG. 3 illustrates the left side view of the solar cooking apparatus according to the present invention; FIG. 4 illustrates the right side view of the solar cooking apparatus according to the present invention; FIG. 5 illustrates the top view of the solar cooking apparatus according to the present invention; FIG. 6 illustrates the bottom view of the solar cooking apparatus according to the present invention; FIG. 7 illustrates the front view of the two open and rotating reflectors of the solar cooking apparatus according to the present invention; FIG. 8 illustrates the back view of the two open and rotating reflectors of the solar cooking apparatus according to the present invention; FIG. 9 illustrates the top view of the two open and rotating reflectors of the solar cooking apparatus in open position according to the present invention; FIG. 10 illustrates the bottom view of the two open and rotating reflectors of the solar cooking apparatus in open position according to the present invention; FIG. 11 illustrates the right side view of the two open and rotating reflectors of the solar cooking apparatus in open position according to the present invention; FIG. 12 illustrates the left side view of the two open and rotating reflectors of the solar cooking apparatus in open position according to the present invention; FIG. 13 illustrates the top perspective view of the solar cooking apparatus with the two rotating reflectors in a closed position according to the present invention; and, FIG. 14 illustrates the top perspective view of the solar cooking apparatus with the two rotating reflectors in an open position according to the present invention.

1 Claim, 14 Drawing Sheets



(56)

References Cited

U.S. PATENT DOCUMENTS

4,442,828 A * 4/1984 Takeuchi F24J 2/02
126/681
D413,040 S * 8/1999 Lawrence D7/350.4
D422,172 S * 4/2000 Hsu D7/337
D433,867 S * 11/2000 Hsu D7/350.4
D438,421 S * 3/2001 Su D7/350.1
D442,016 S * 5/2001 Park D7/347
D451,333 S * 12/2001 Hsu D7/350.4
6,707,009 B1 * 3/2004 Ancona A47J 37/0871
219/386
D560,978 S * 2/2008 Daams D7/609
D703,993 S * 5/2014 Garman D7/350.1

* cited by examiner

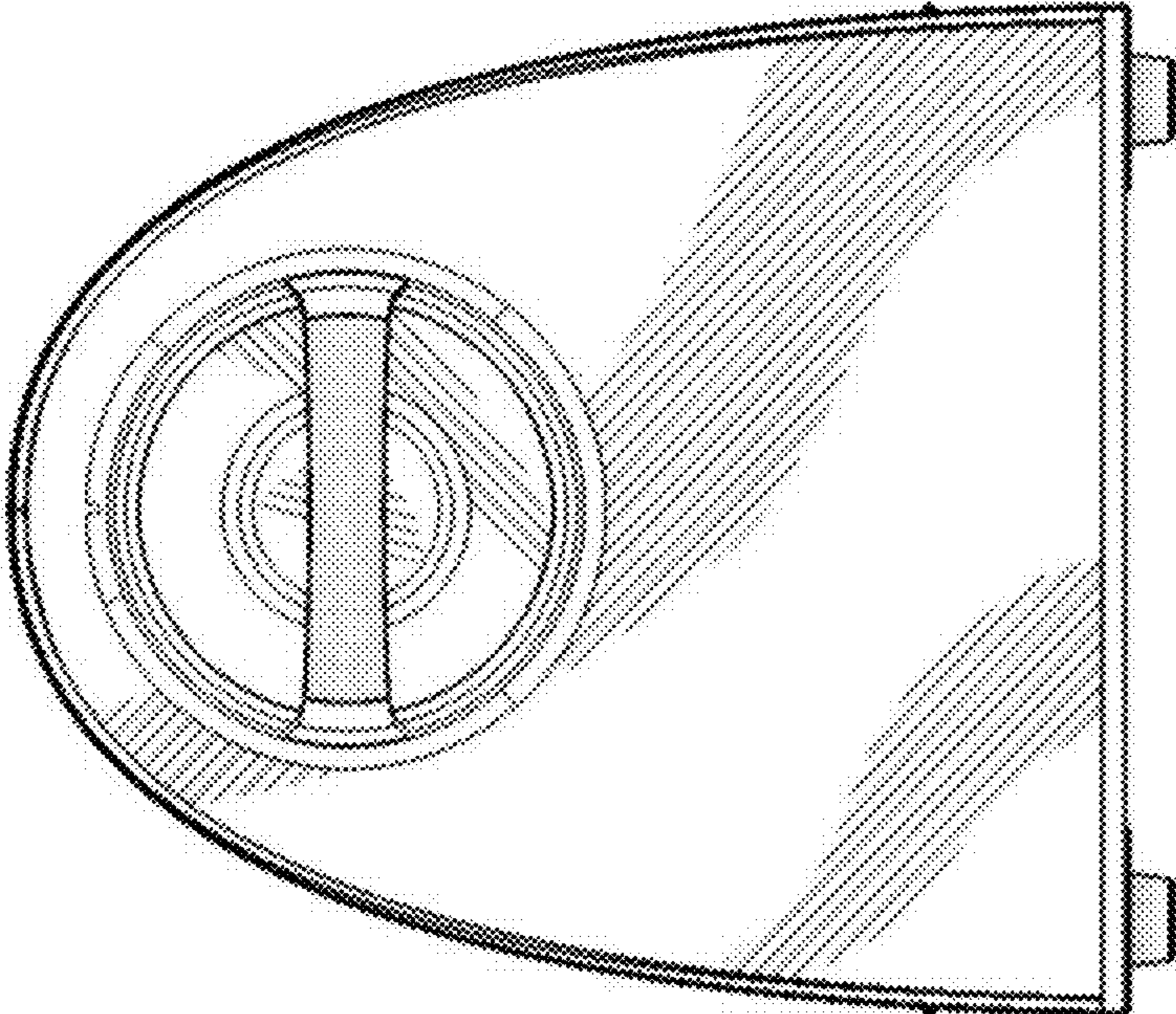


FIG. 1

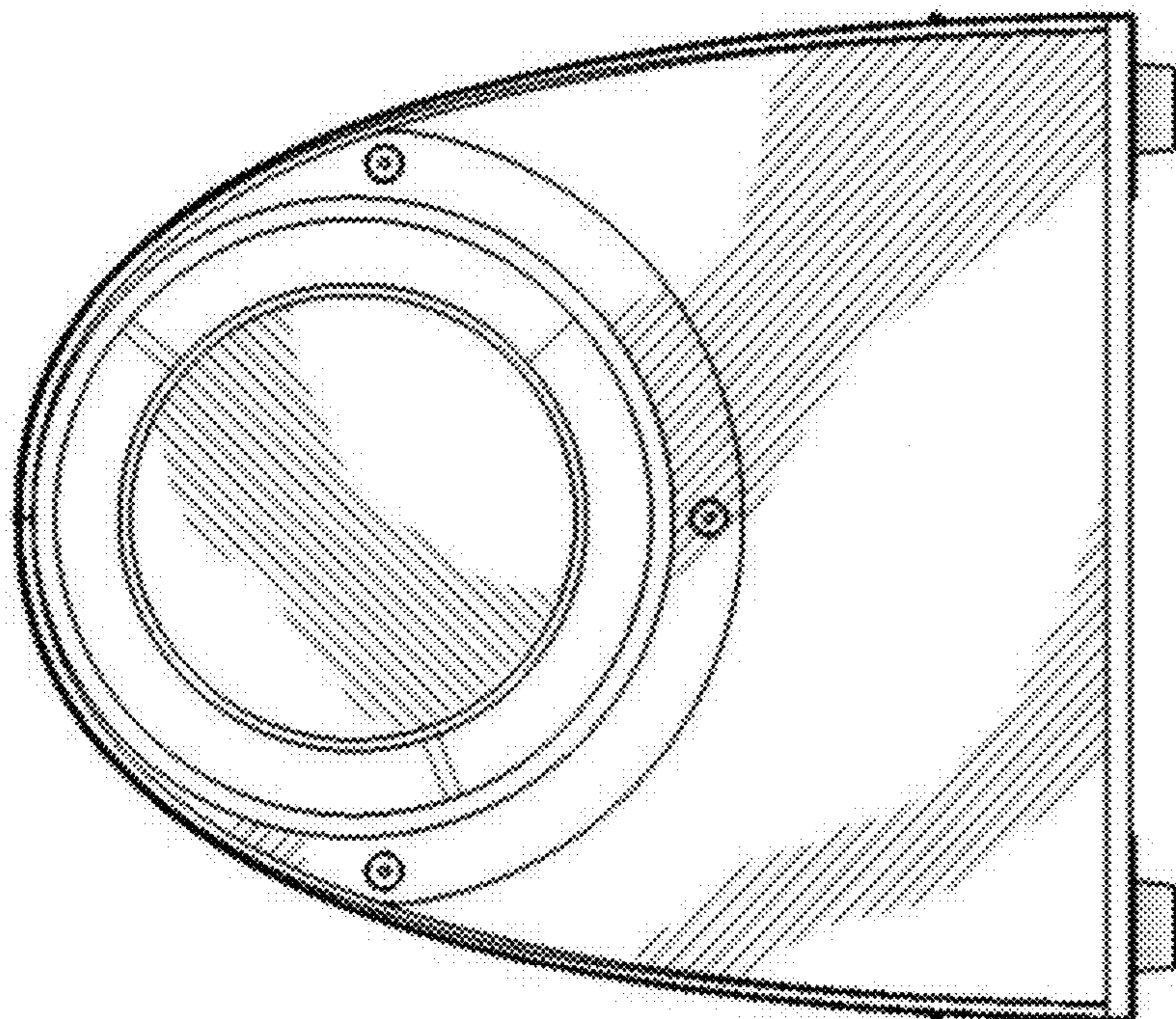


FIG. 2

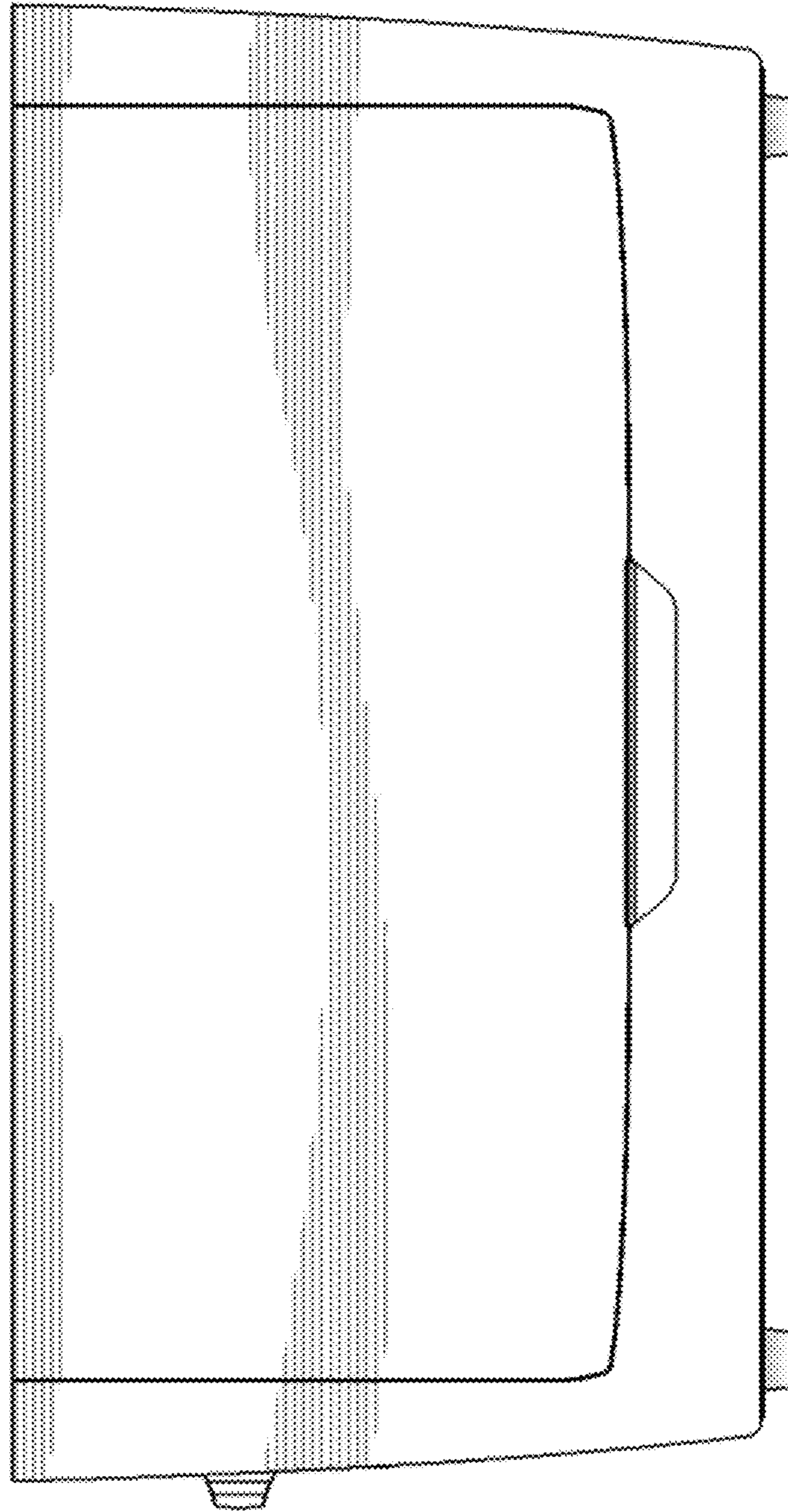


FIG. 3

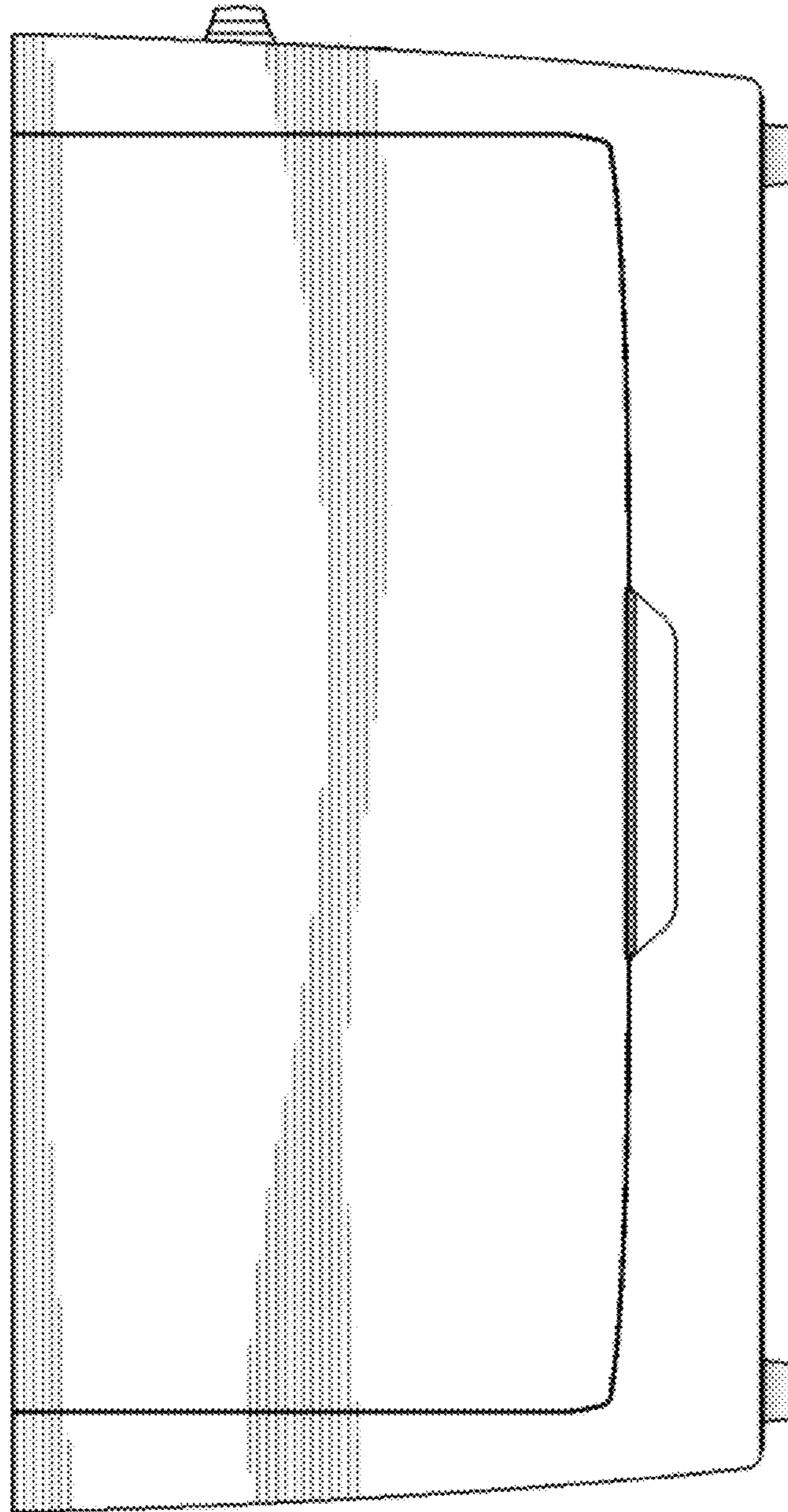


FIG. 4

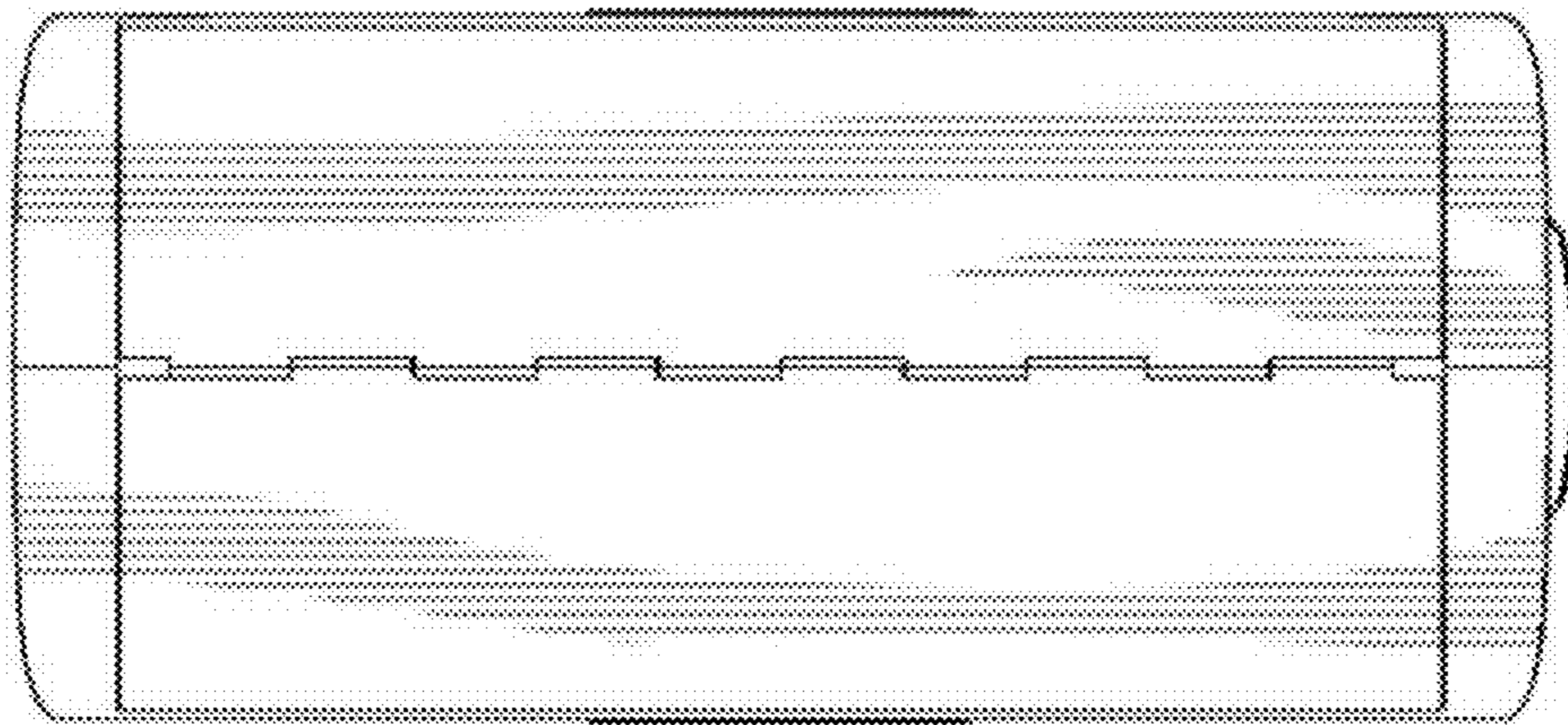


FIG. 5

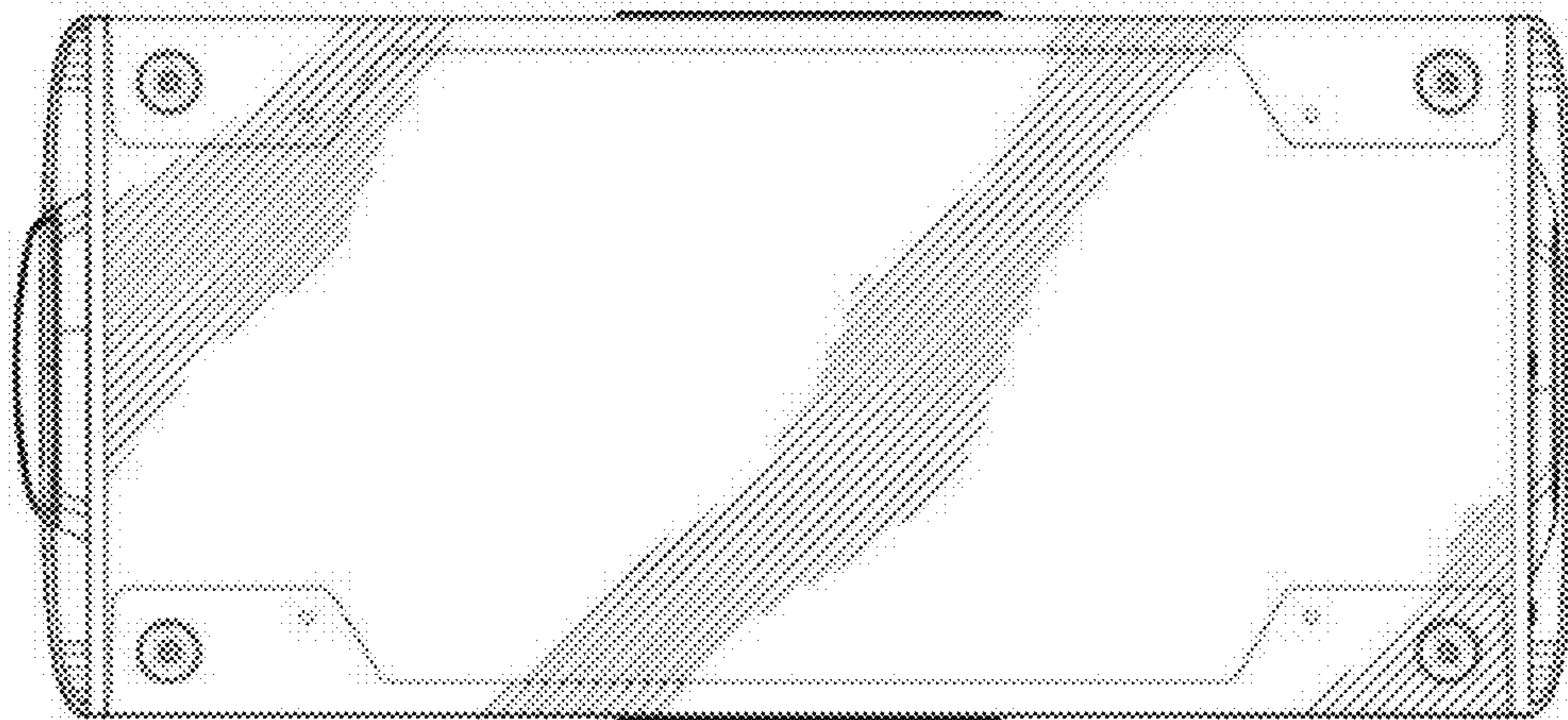


FIG. 6

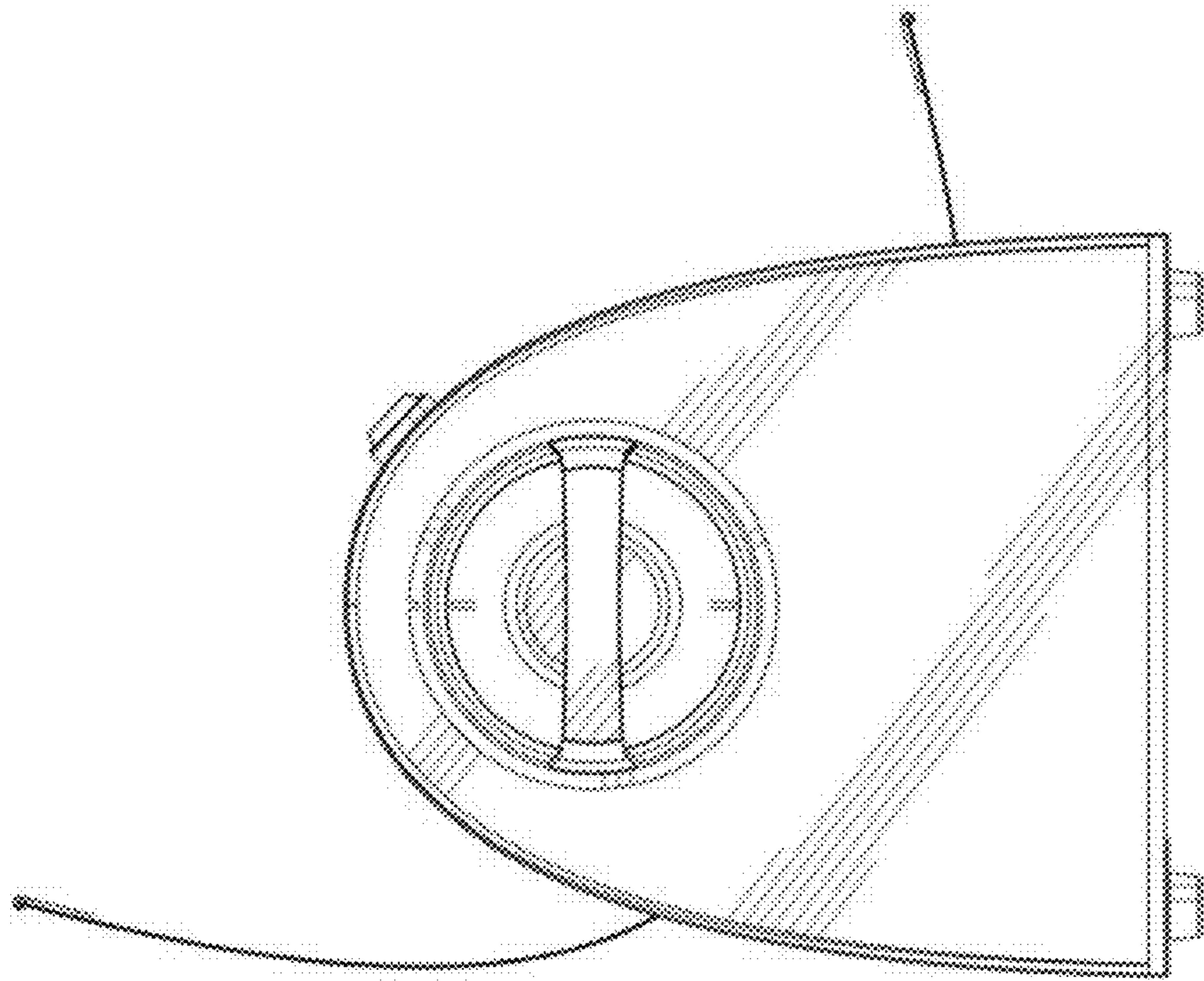


FIG. 7

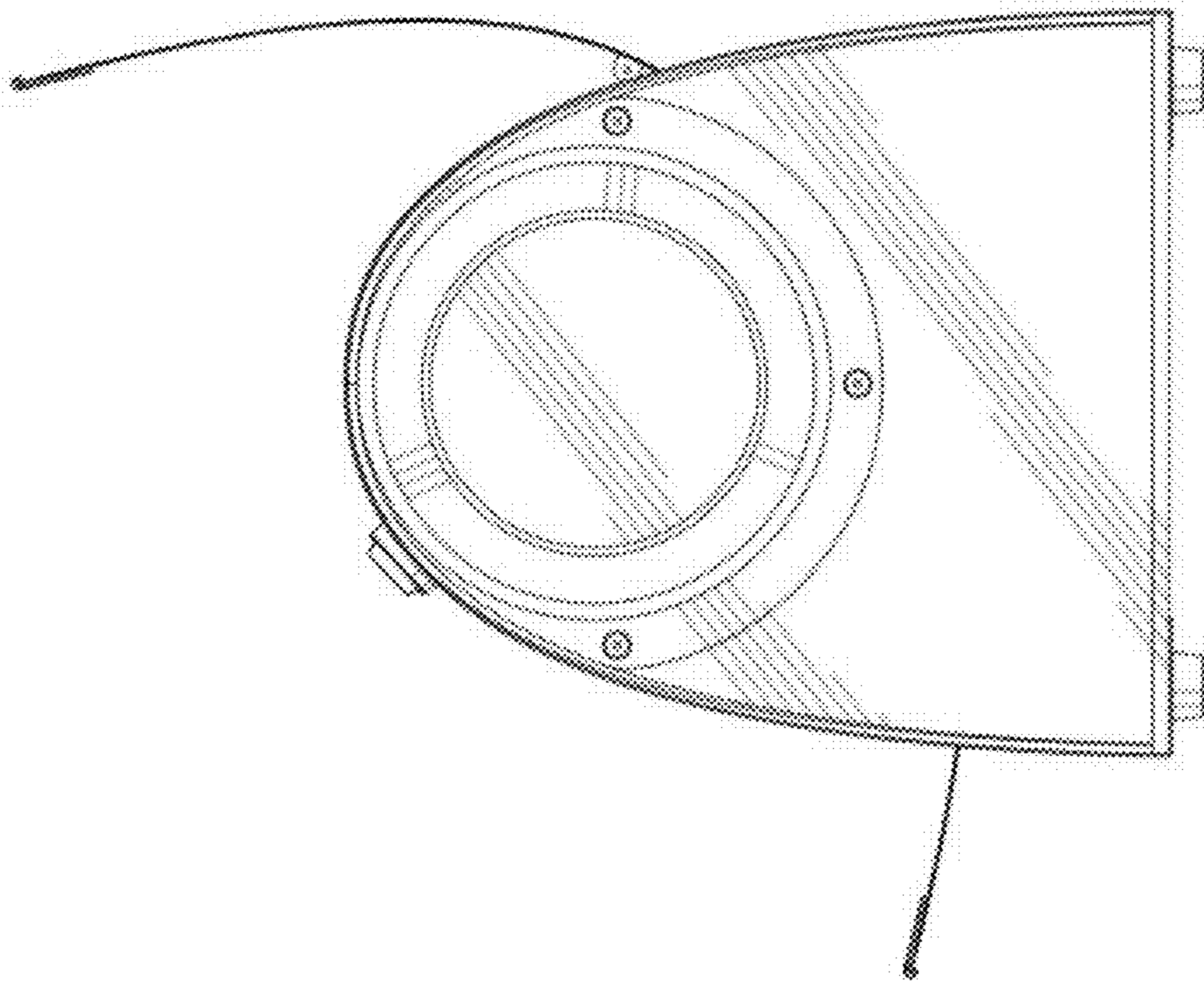


FIG. 8

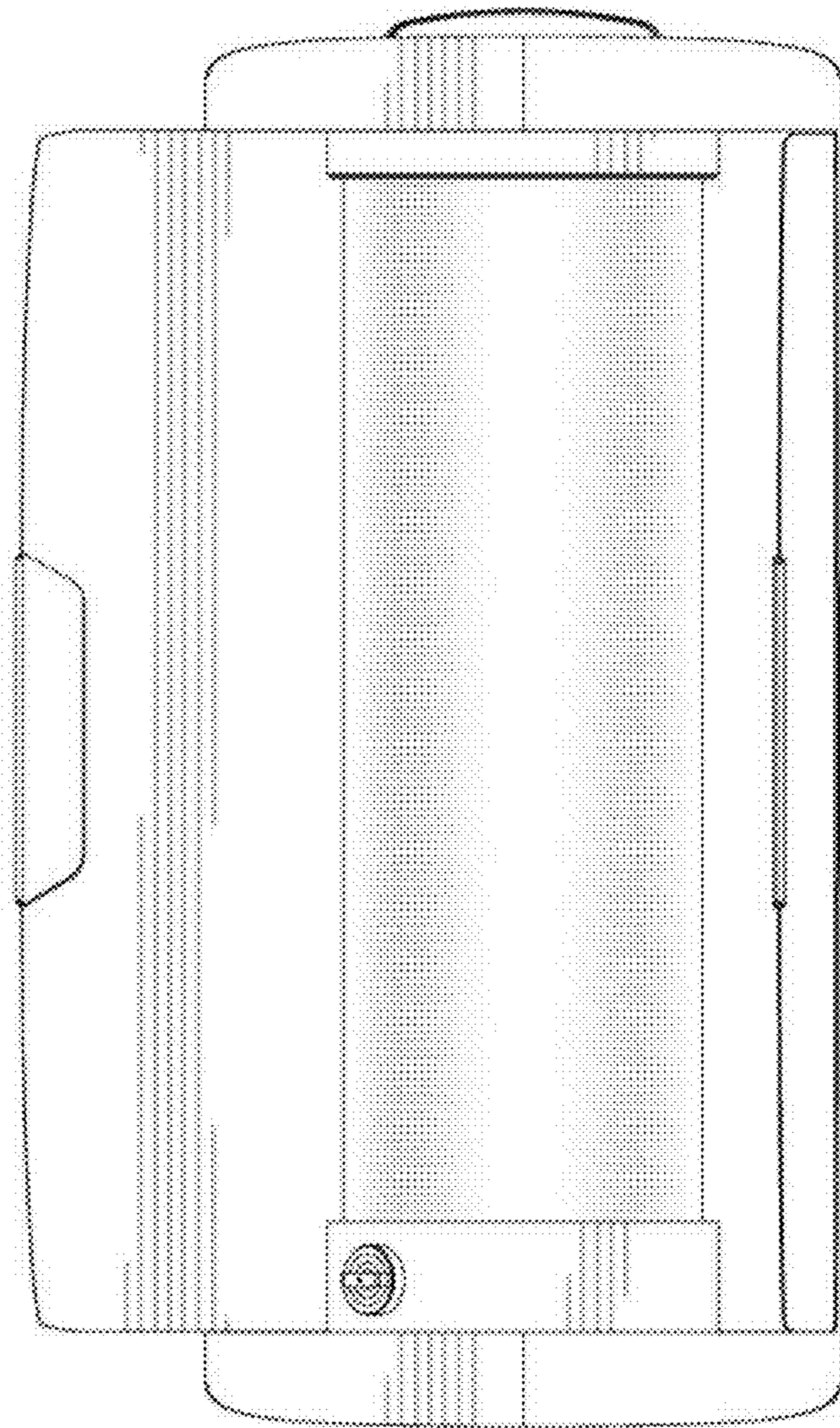


FIG. 9

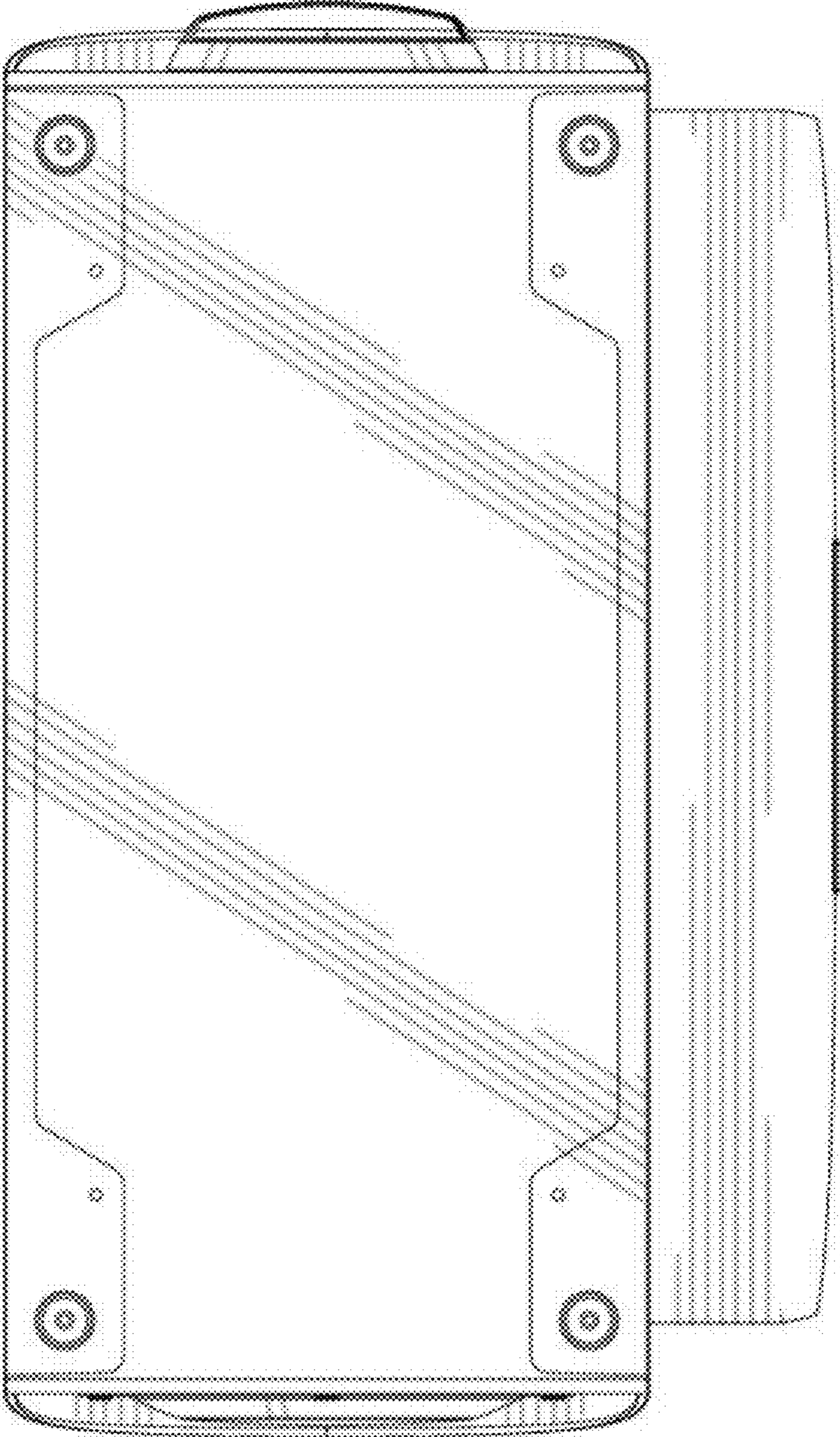


FIG. 10

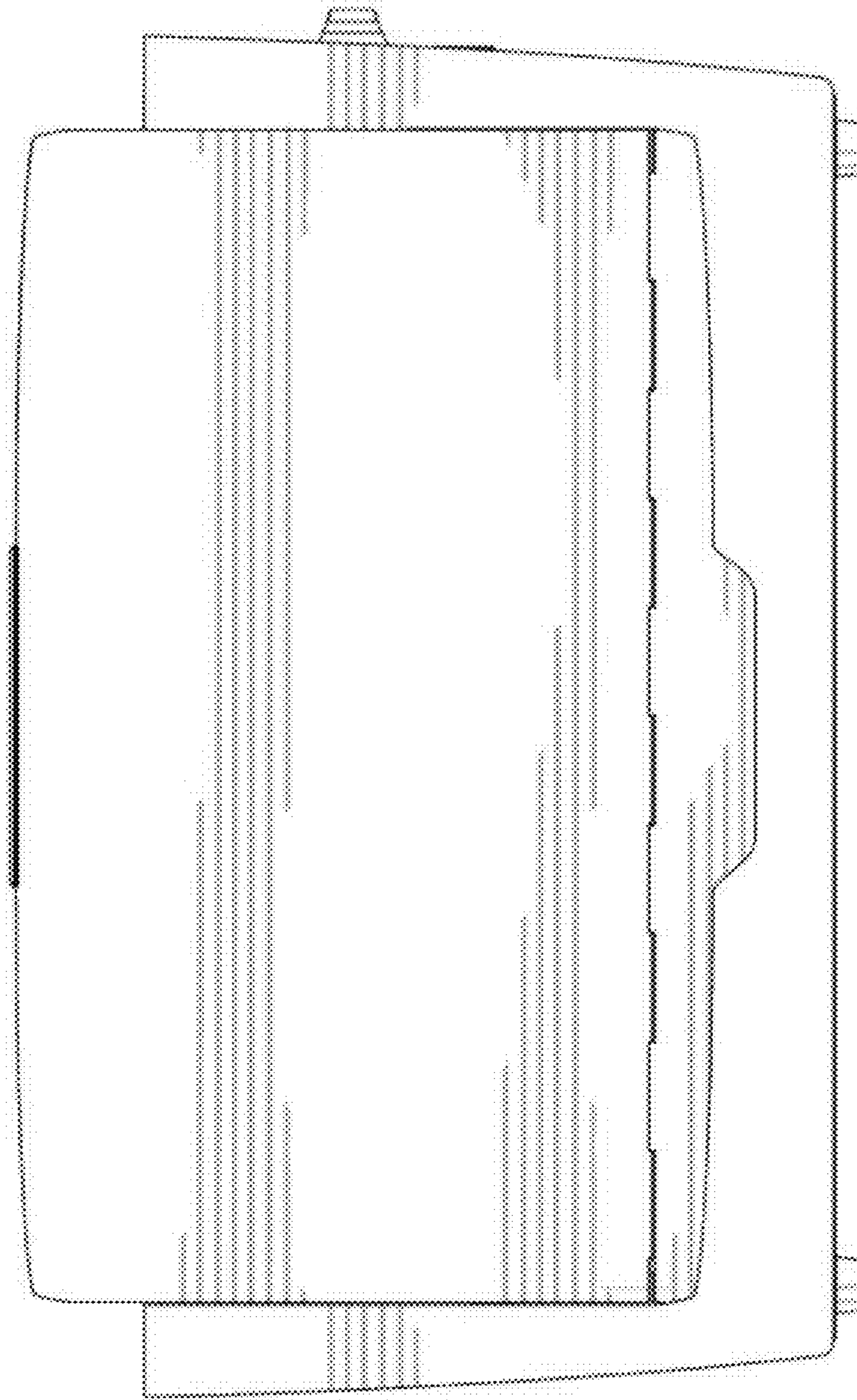


FIG. 11

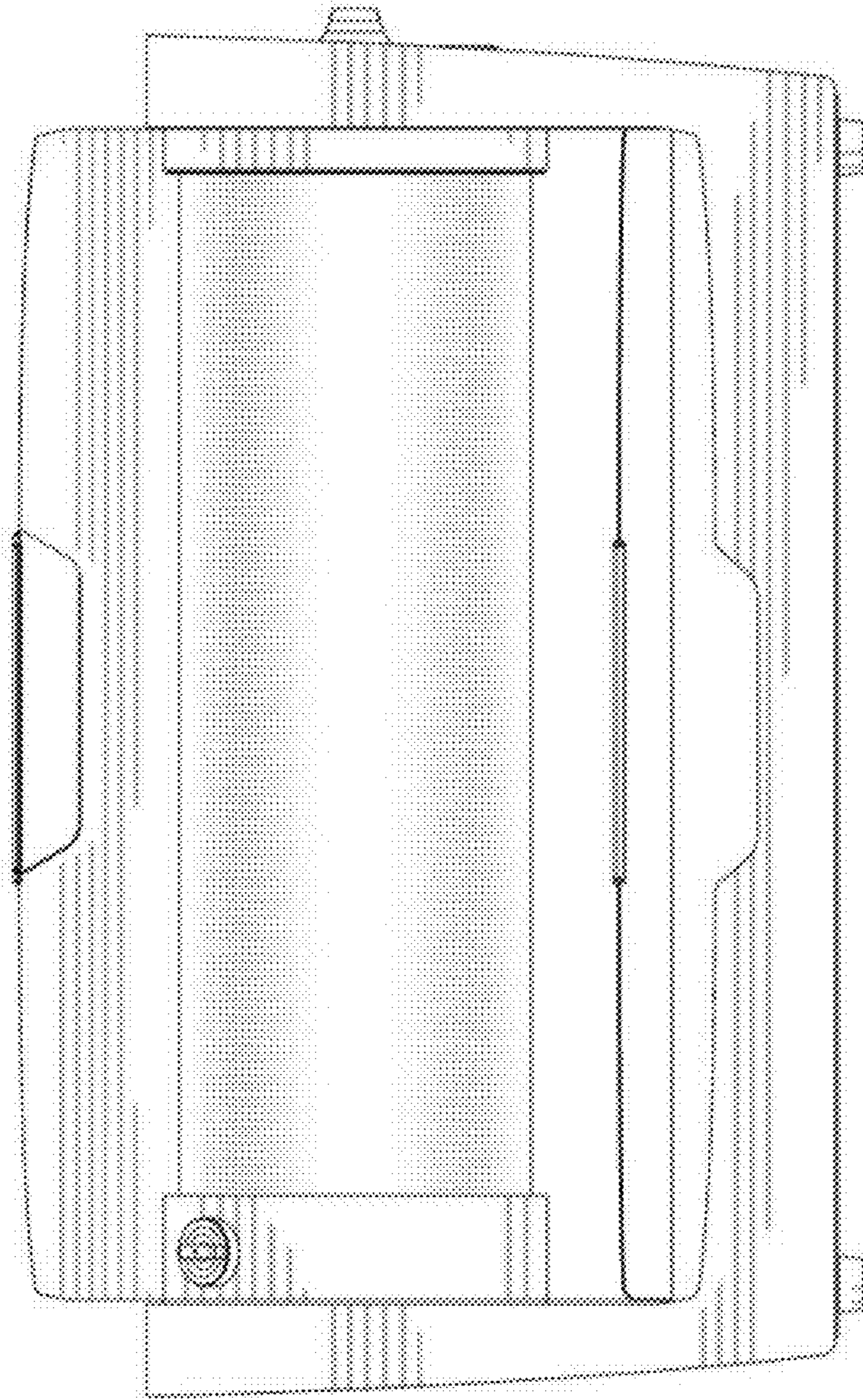


FIG. 12

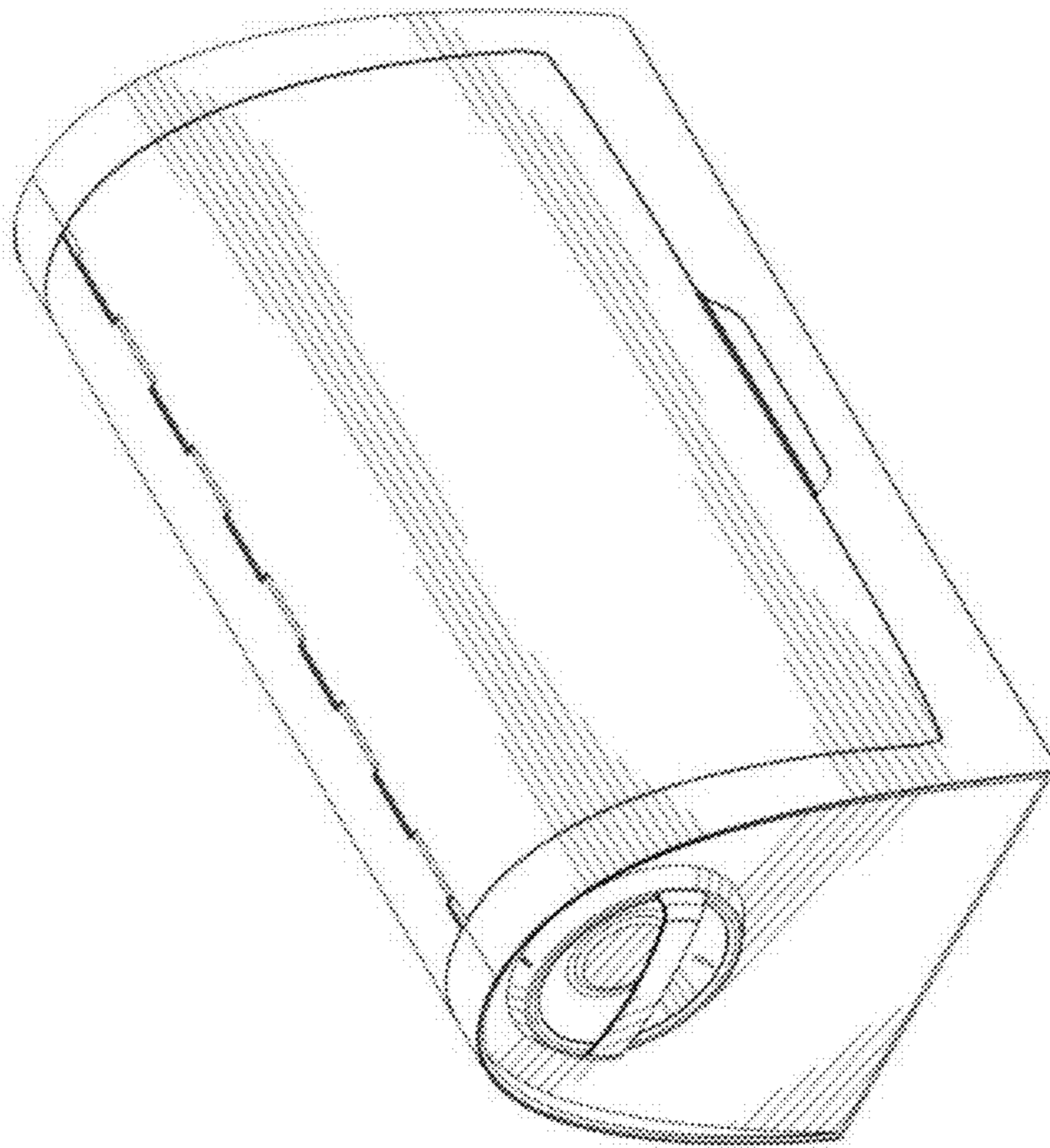


FIG. 13

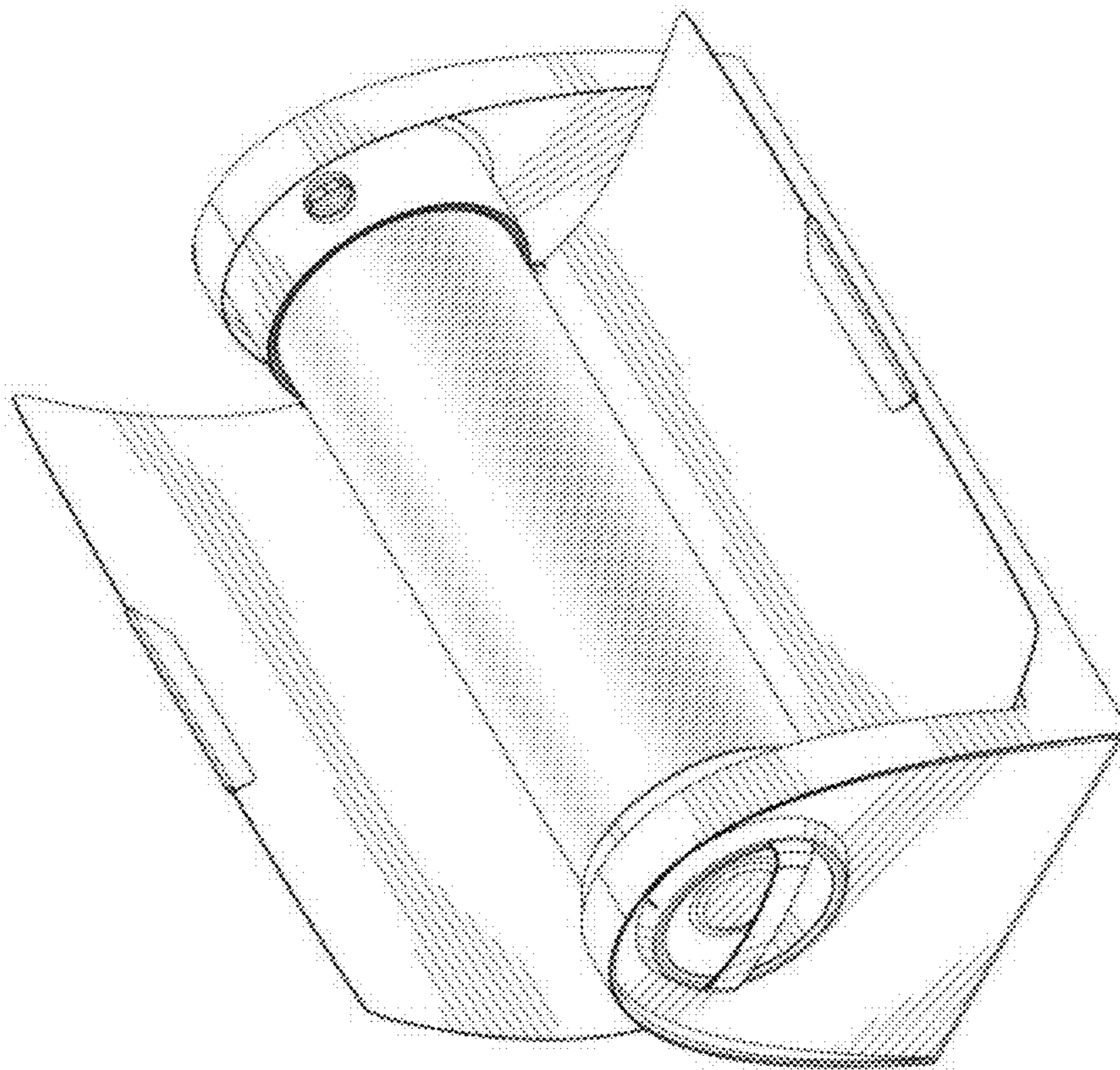


FIG. 14