



US00D799881S

(12) **United States Design Patent**
Bond et al.

(10) **Patent No.:** **US D799,881 S**

(45) **Date of Patent:** **** Oct. 17, 2017**

(54) **COTTON CANDY MACHINE**

(71) Applicant: **Nostalgia Products LLC**, Green Bay, WI (US)

(72) Inventors: **Gregg Bond**, Beverly Hills, CA (US);
Edward E. Boughton, III, Ventura, CA (US)

(73) Assignee: **NOSTALGIA PRODUCTS LLC**, Green Bay, WI (US)

(**) Term: **15 Years**

(21) Appl. No.: **29/550,987**

(22) Filed: **Jan. 8, 2016**

(51) **LOC (10) Cl.** **31-00**

(52) **U.S. Cl.**
USPC **D7/323; D7/325**

(58) **Field of Classification Search**
USPC D7/323, 324, 325, 337, 346-347, 376,
D7/378, 384, 668-669, 688;
D21/523-525; 425/9
CPC .. A23G 3/0087; A23G 3/0051; A23G 3/0044;
A23G 3/001; A23G 3/10
See application file for complete search history.

(56) **References Cited**

U.S. PATENT DOCUMENTS

4,793,782 A *	12/1988	Sullivan	A23G 3/10 264/8
D306,389 S *	3/1990	Nasui	D7/354
5,145,687 A *	9/1992	Parker	A23G 3/10 425/131.5
5,498,144 A *	3/1996	Francis	D01D 5/18 425/196

(Continued)

Primary Examiner — Caron D Veynar
Assistant Examiner — Mehri Bajoul

(74) *Attorney, Agent, or Firm* — Blakely Sokoloff Taylor & Zafman LLP

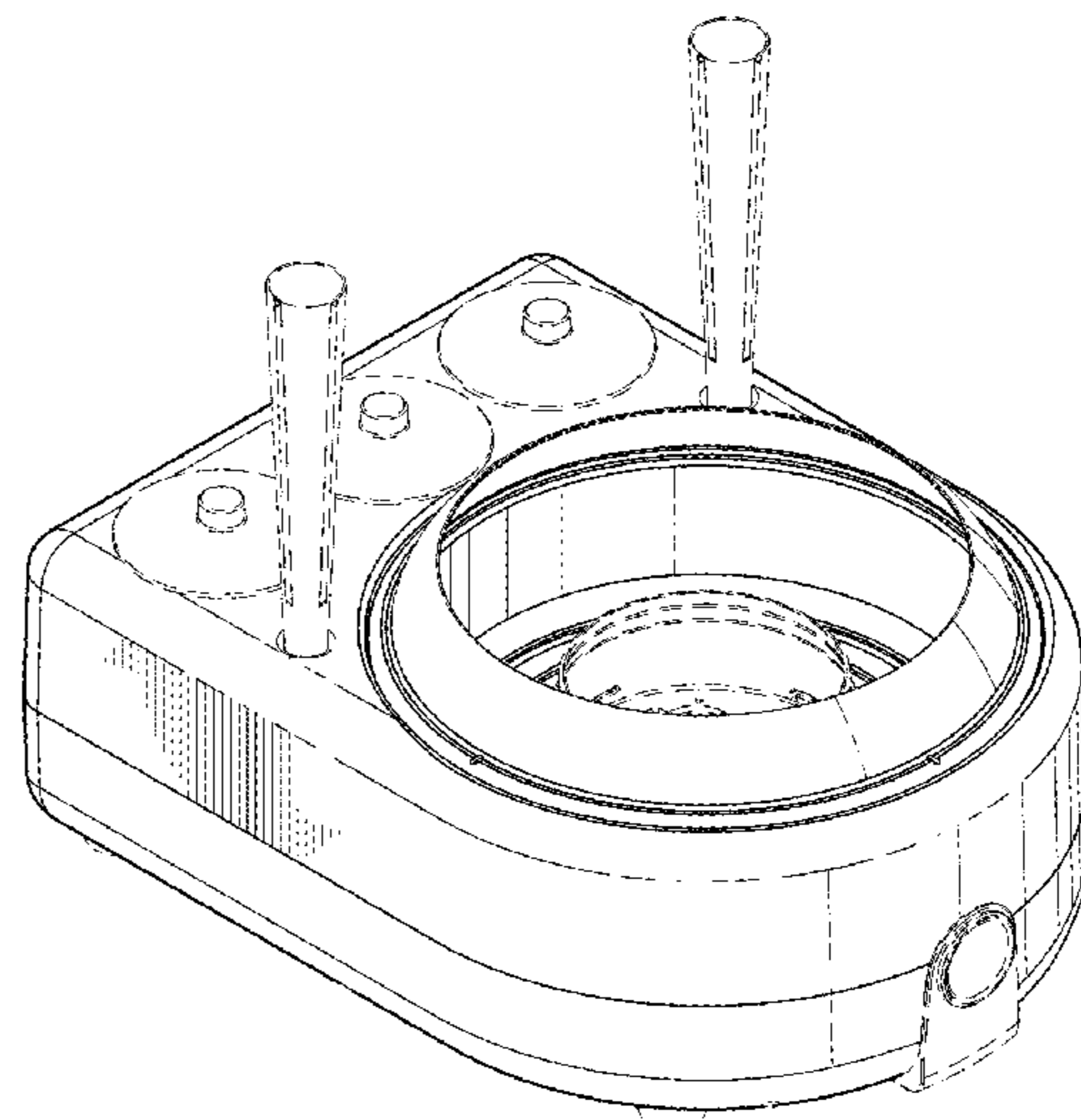
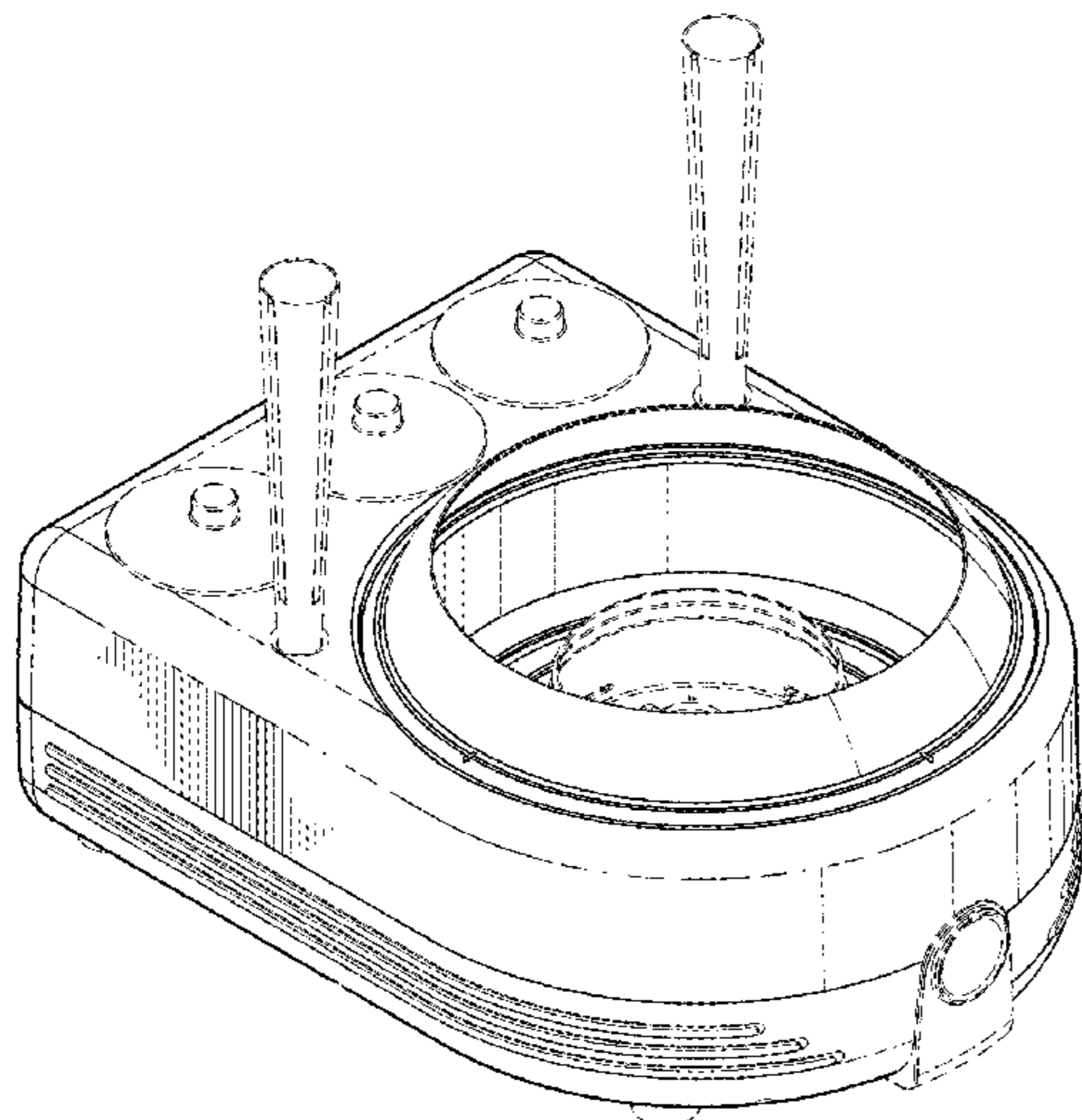
(57) **CLAIM**

The ornamental design for cotton candy machine, as shown and described.

DESCRIPTION

FIG. 1 is a front, left side perspective view of our new design.
 FIG. 2 is a front, right side perspective view thereof.
 FIG. 3 is a bottom, left side perspective view thereof.
 FIG. 4 is a bottom, right side perspective view thereof.
 FIG. 5 is a top plan view thereof.
 FIG. 6 is a bottom plan view thereof.
 FIG. 7 is a left side elevation view thereof.
 FIG. 8 is a right side elevation view thereof.
 FIG. 9 is a front elevation view thereof.
 FIG. 10 is a rear elevation view thereof.
 FIG. 11 is a front, left side perspective view of an alternate embodiment of our new design.
 FIG. 12 is a front, right side perspective view of the alternate embodiment.
 FIG. 13 is a bottom, left side perspective view of the alternate embodiment.
 FIG. 14 is a bottom, right side perspective view of the alternate embodiment.
 FIG. 15 is a top plan view of the alternate embodiment.
 FIG. 16 is a bottom plan view of the alternate embodiment.
 FIG. 17 is a left side elevation view of the alternate embodiment.
 FIG. 18 is a right side elevation view of the alternate embodiment.
 FIG. 19 is a front elevation view of the alternate embodiment; and,
 FIG. 20 is a rear elevation view of the alternate embodiment.
 In the drawings, the broken lines depict portions of the cotton candy machine which form no part of the claimed design.

1 Claim, 10 Drawing Sheets



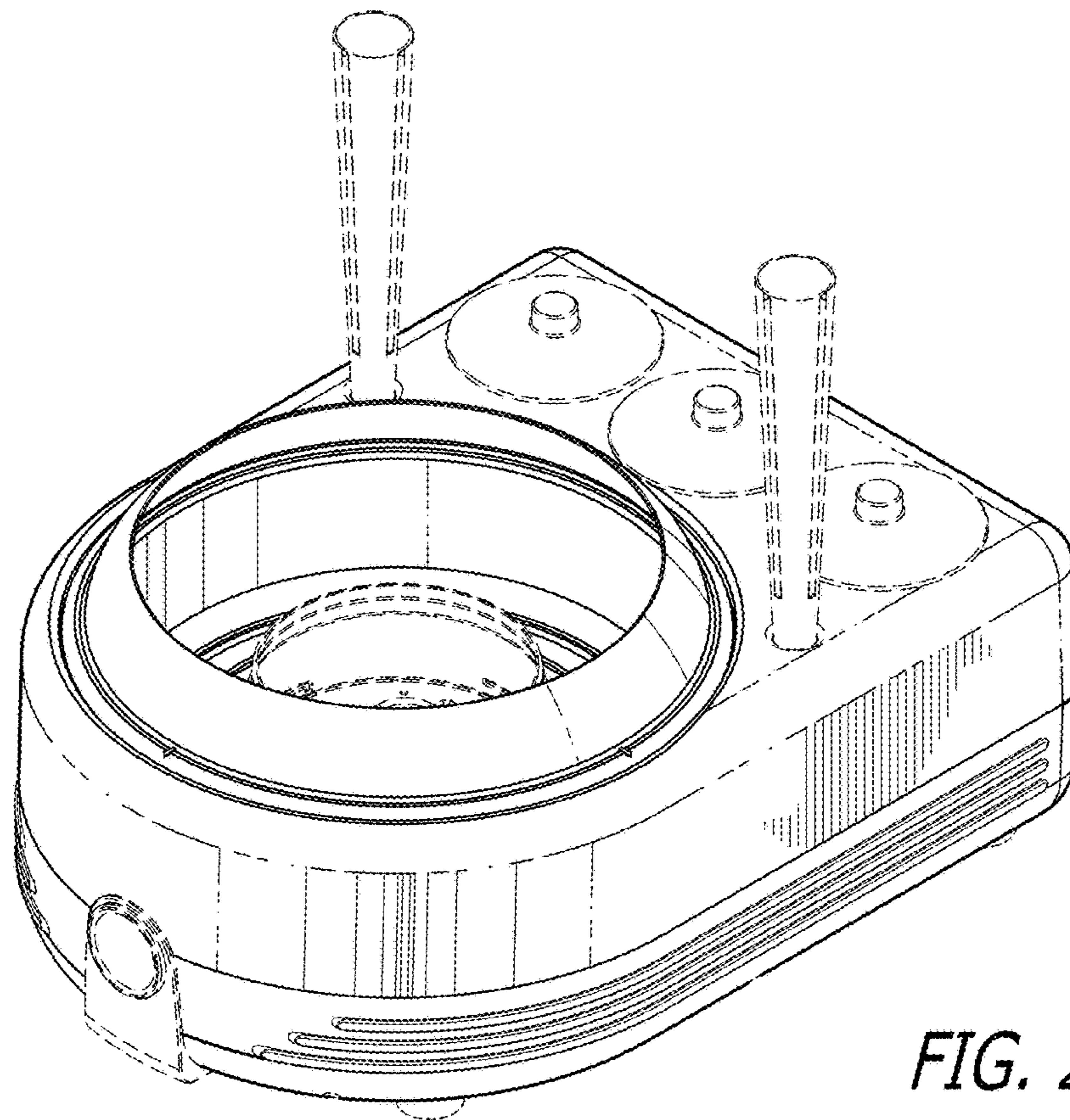
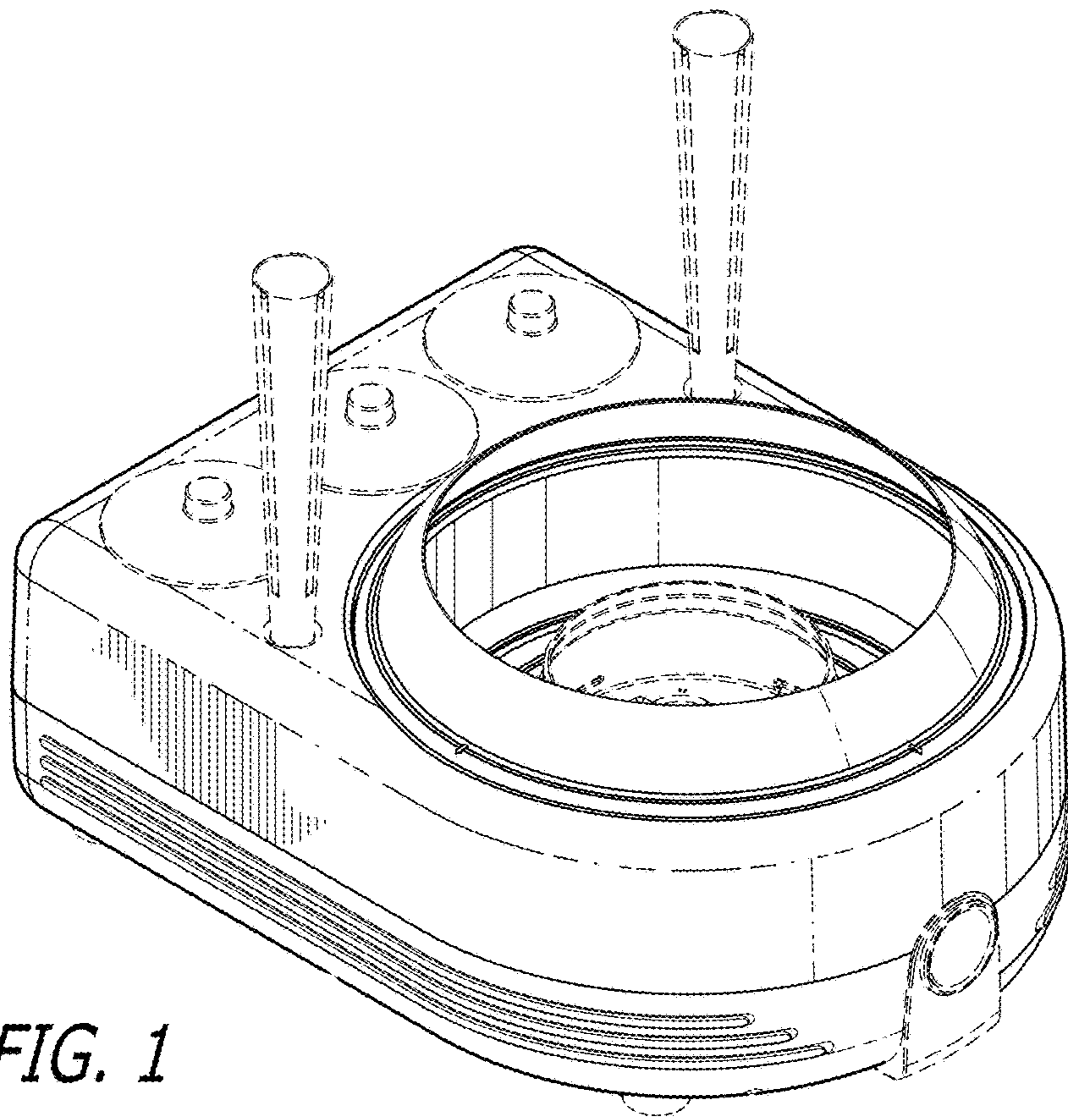
(56)

References Cited

U.S. PATENT DOCUMENTS

D465,966	S *	11/2002	Daftari	D7/368
D489,505	S *	5/2004	Bond	D34/14
D552,405	S *	10/2007	Bond	D7/325
D641,197	S *	7/2011	Borin	D7/326
8,376,064	B1 *	2/2013	Swegle	A23G 3/10
				173/164
D712,699	S *	9/2014	Bond	D7/402
9,004,893	B2 *	4/2015	Bond	A23G 3/0051
				425/192 R
D734,637	S *	7/2015	Benoit	D7/376
D757,485	S *	5/2016	Benoit	D7/376
2004/0185131	A1 *	9/2004	Weiss	A23G 3/10
				425/8
2005/0011366	A1 *	1/2005	Kowalski	A23G 3/10
				99/331
2006/0042472	A1 *	3/2006	Shore	A23L 7/187
				99/323.5
2007/0031527	A1 *	2/2007	Koike	A23G 3/10
				425/9
2013/0202726	A1 *	8/2013	Bond	A23G 3/10
				425/9
2016/0353778	A1 *	12/2016	Montoya	A47J 37/0664

* cited by examiner



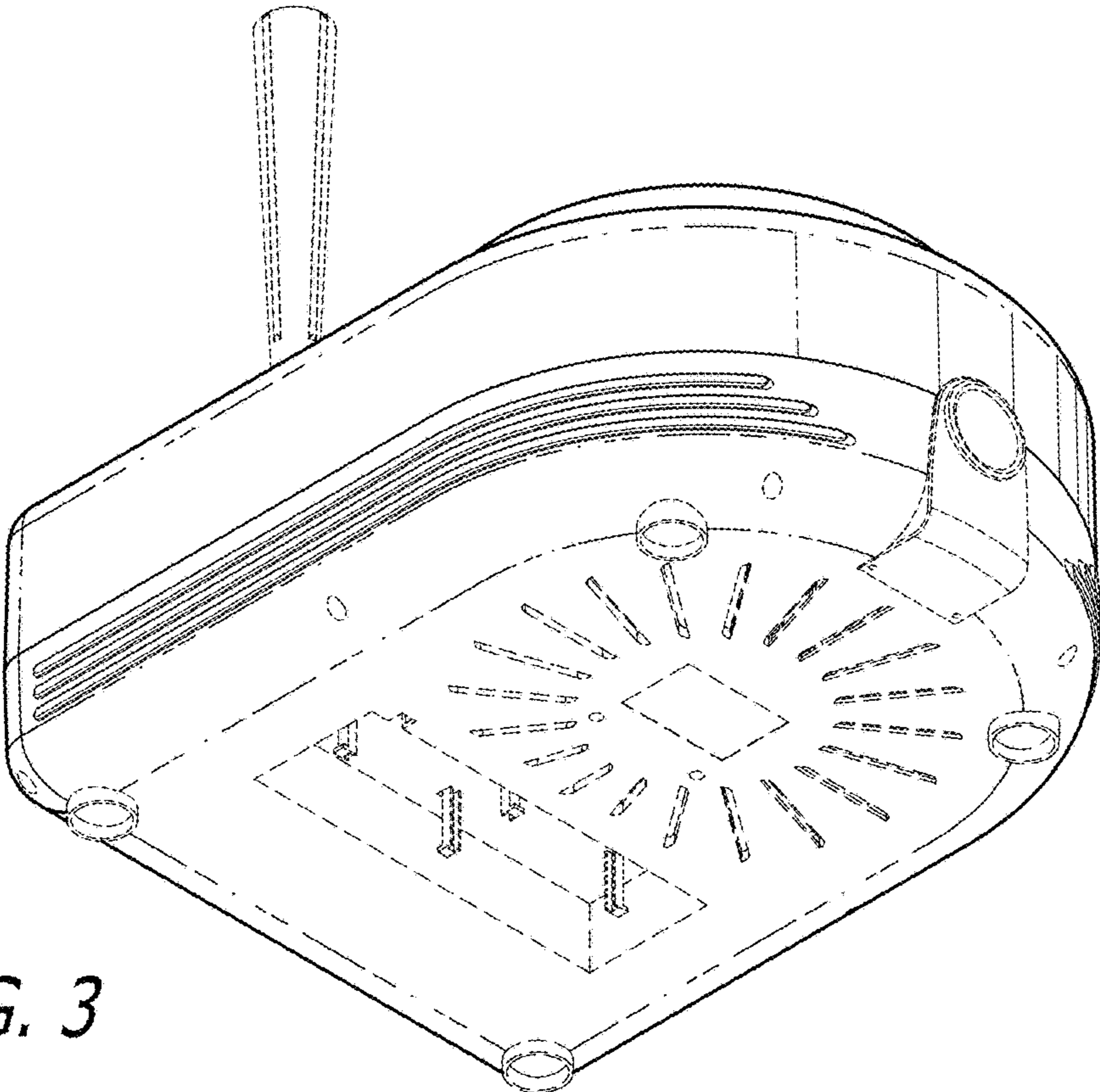


FIG. 3

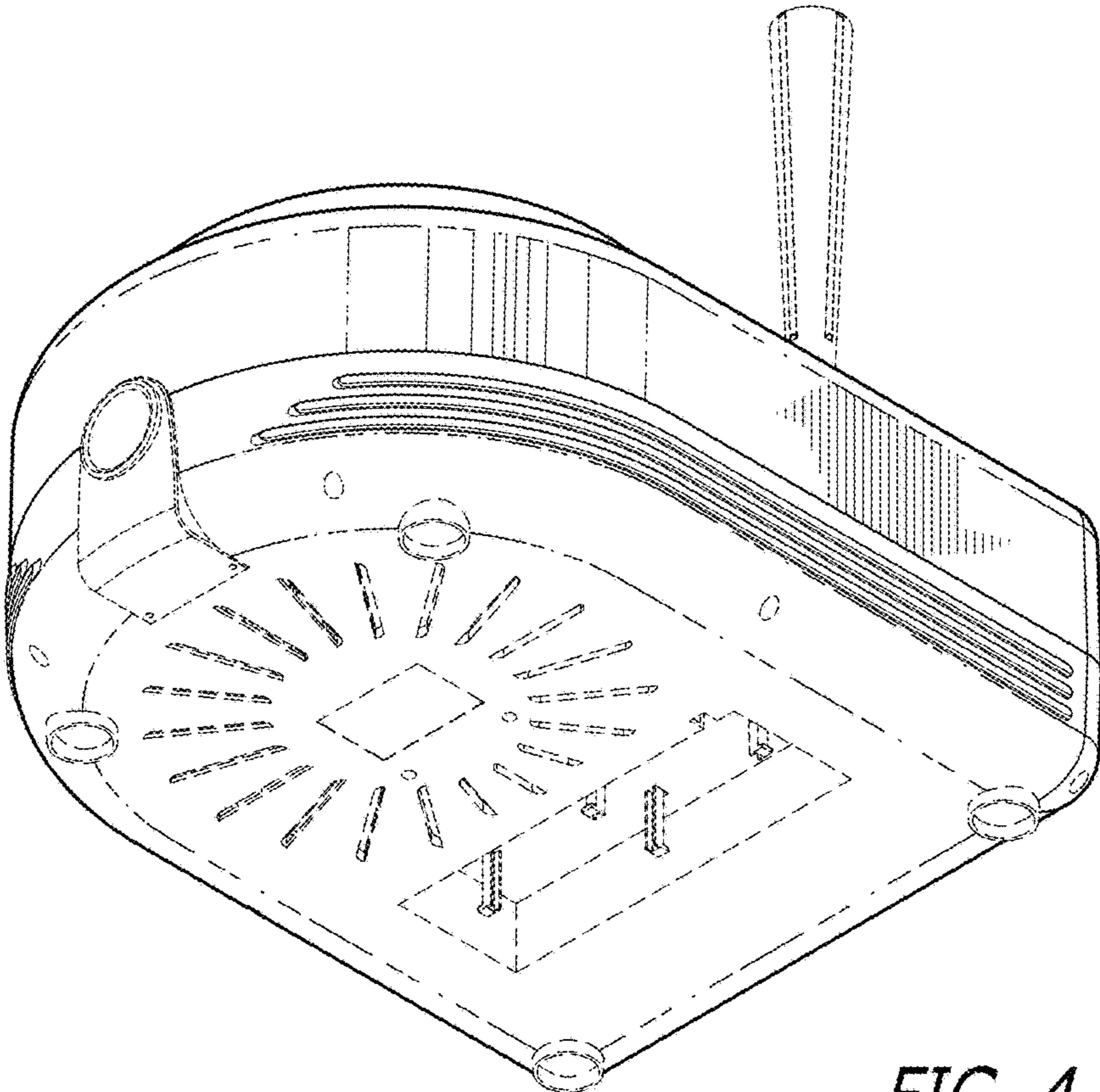


FIG. 4

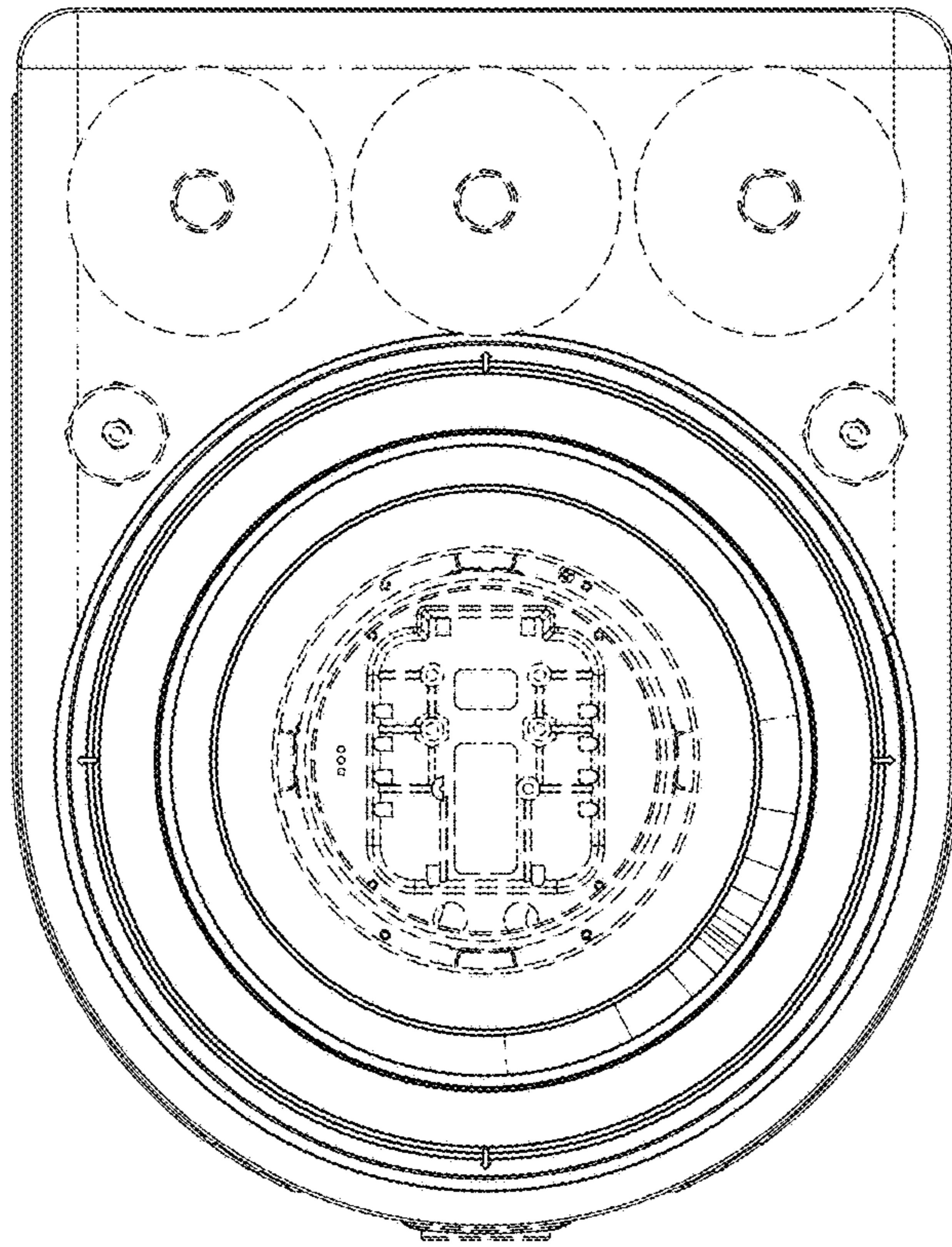


FIG. 5

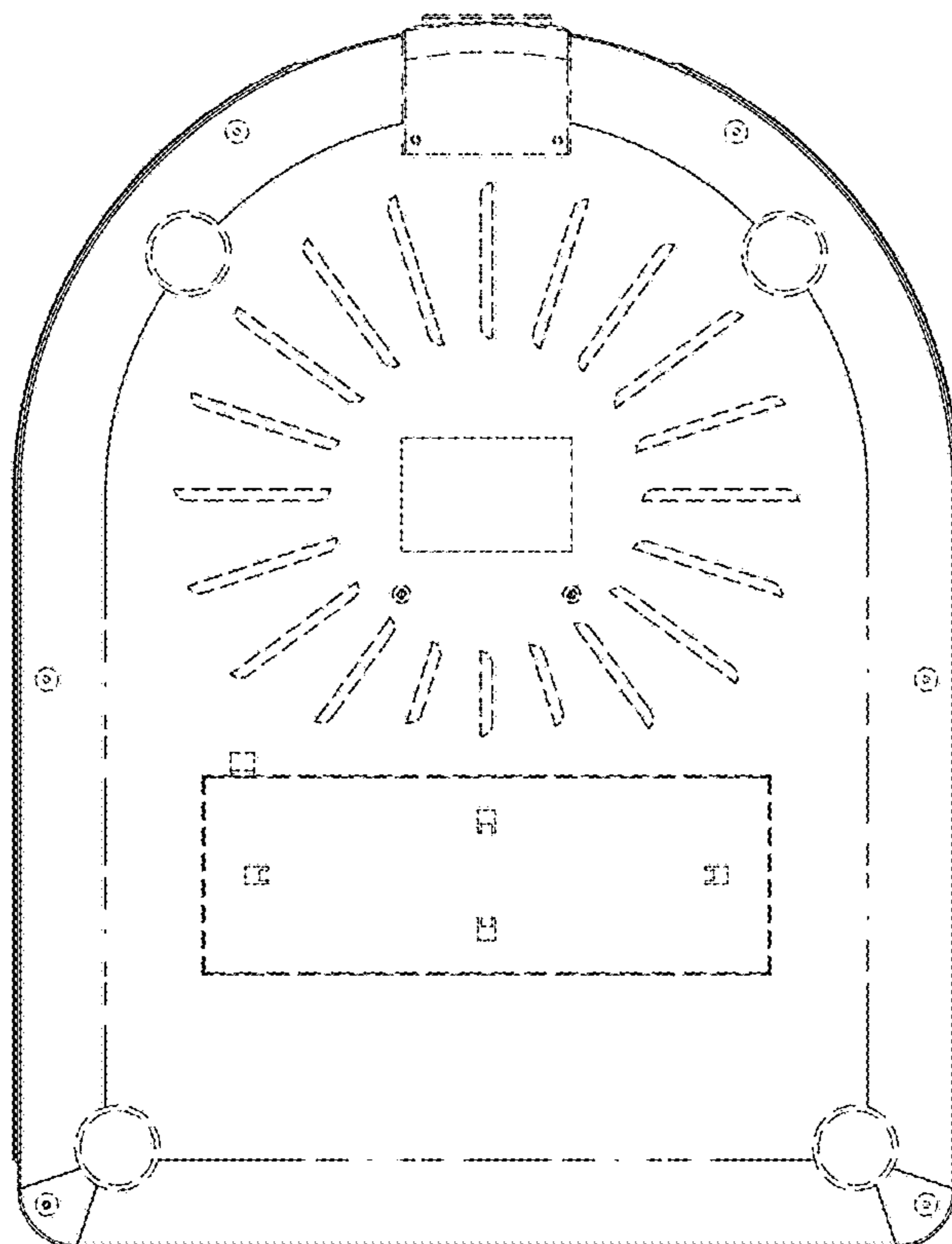


FIG. 6

FIG. 7

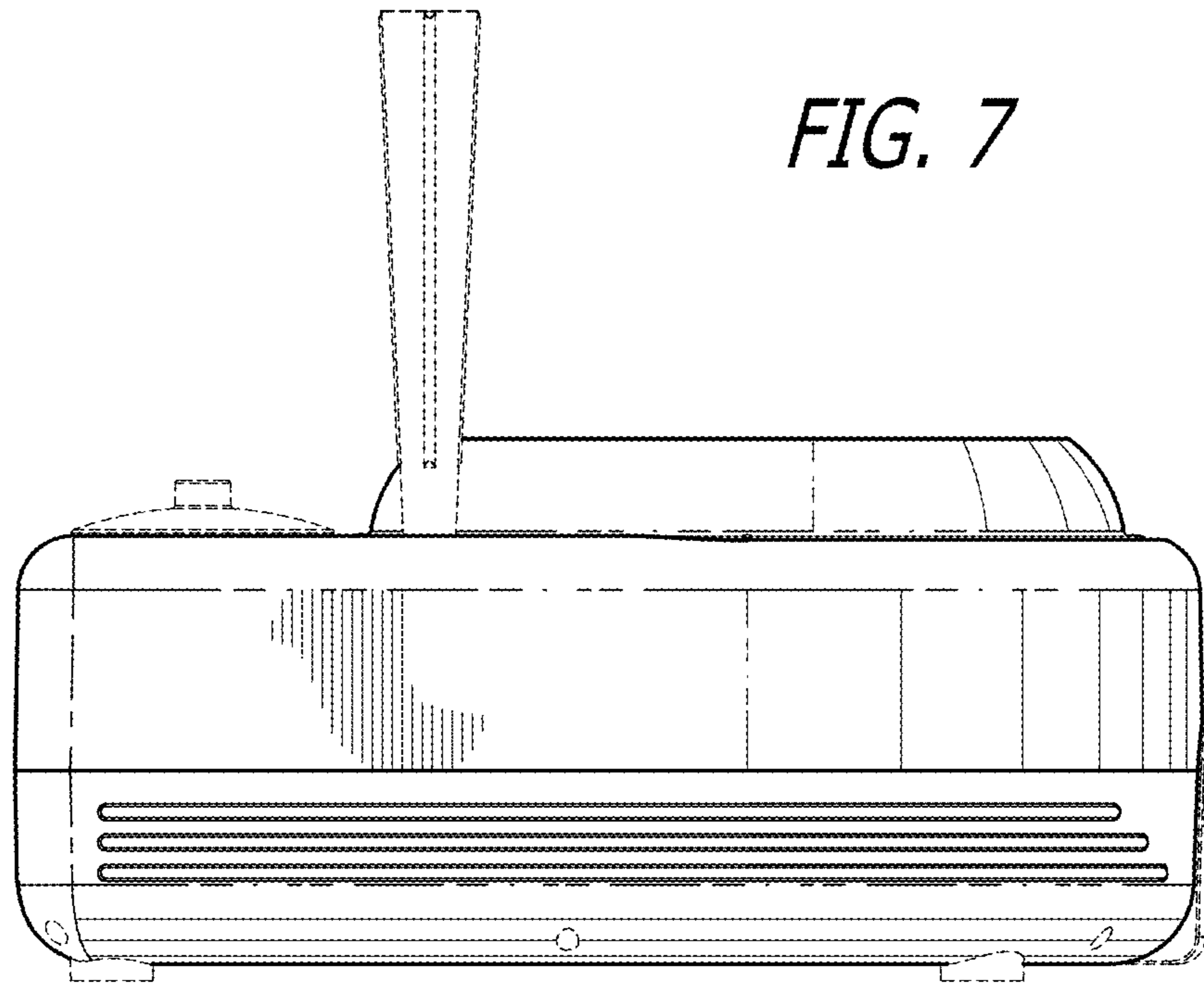


FIG. 8

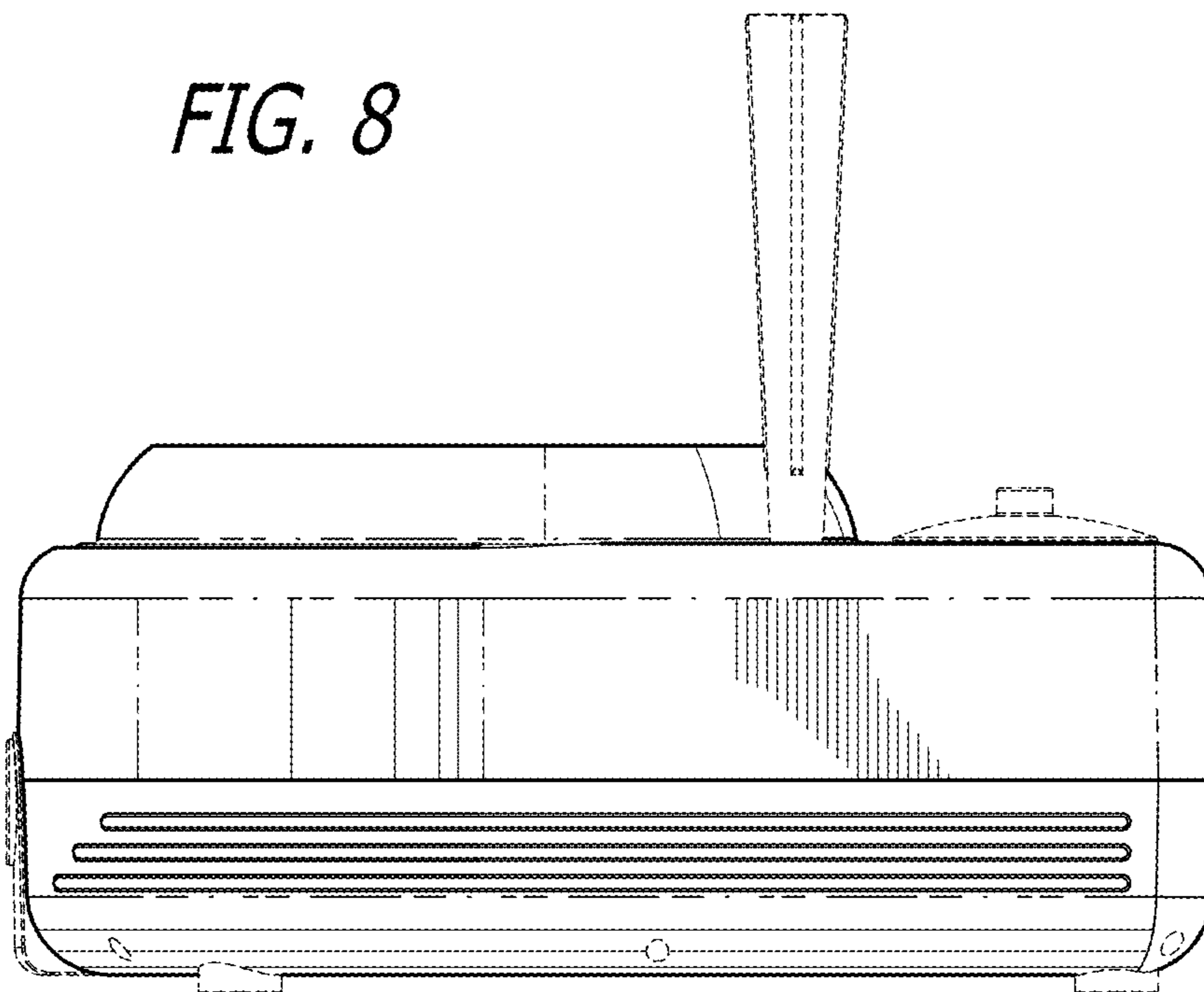


FIG. 9

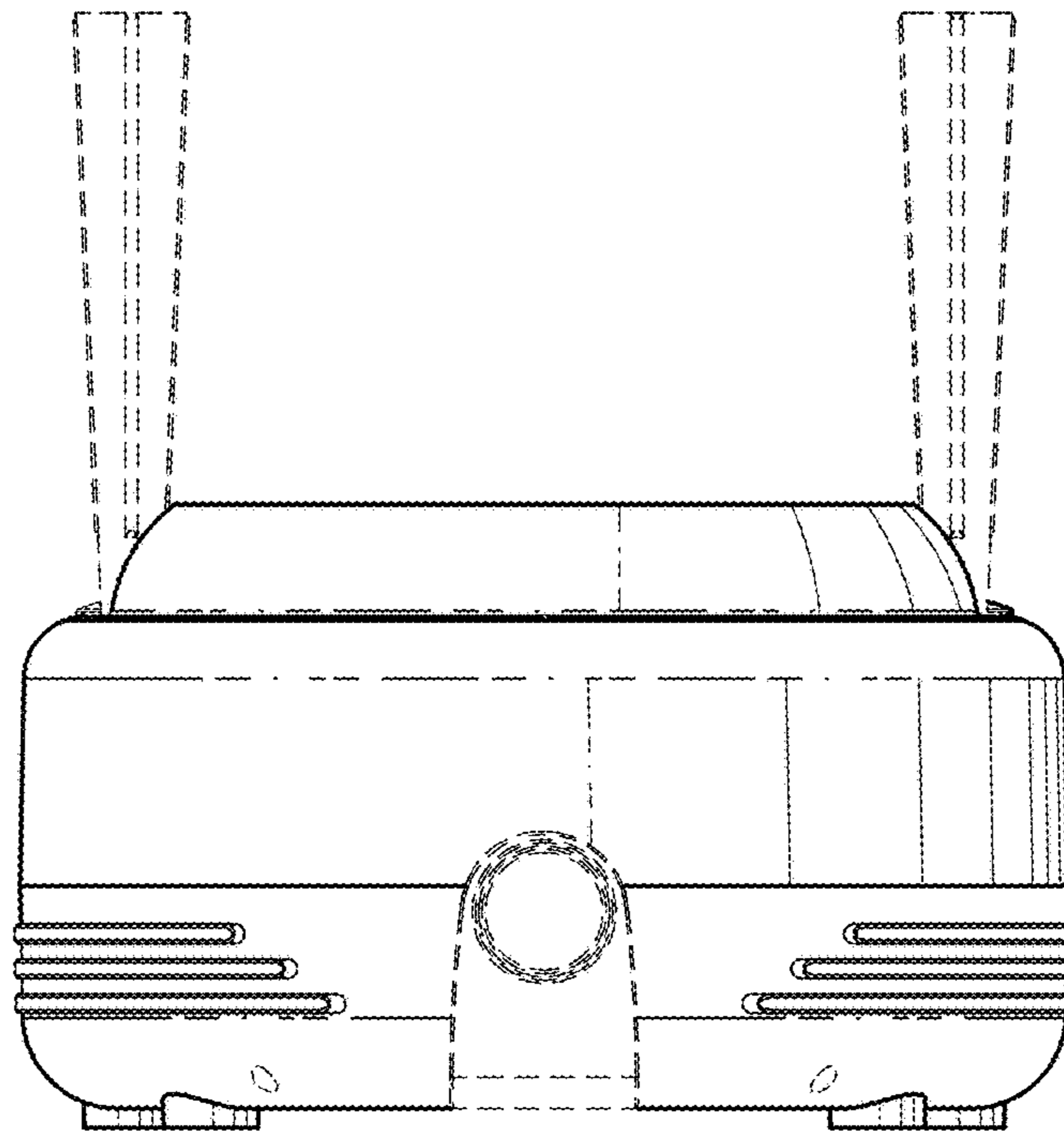
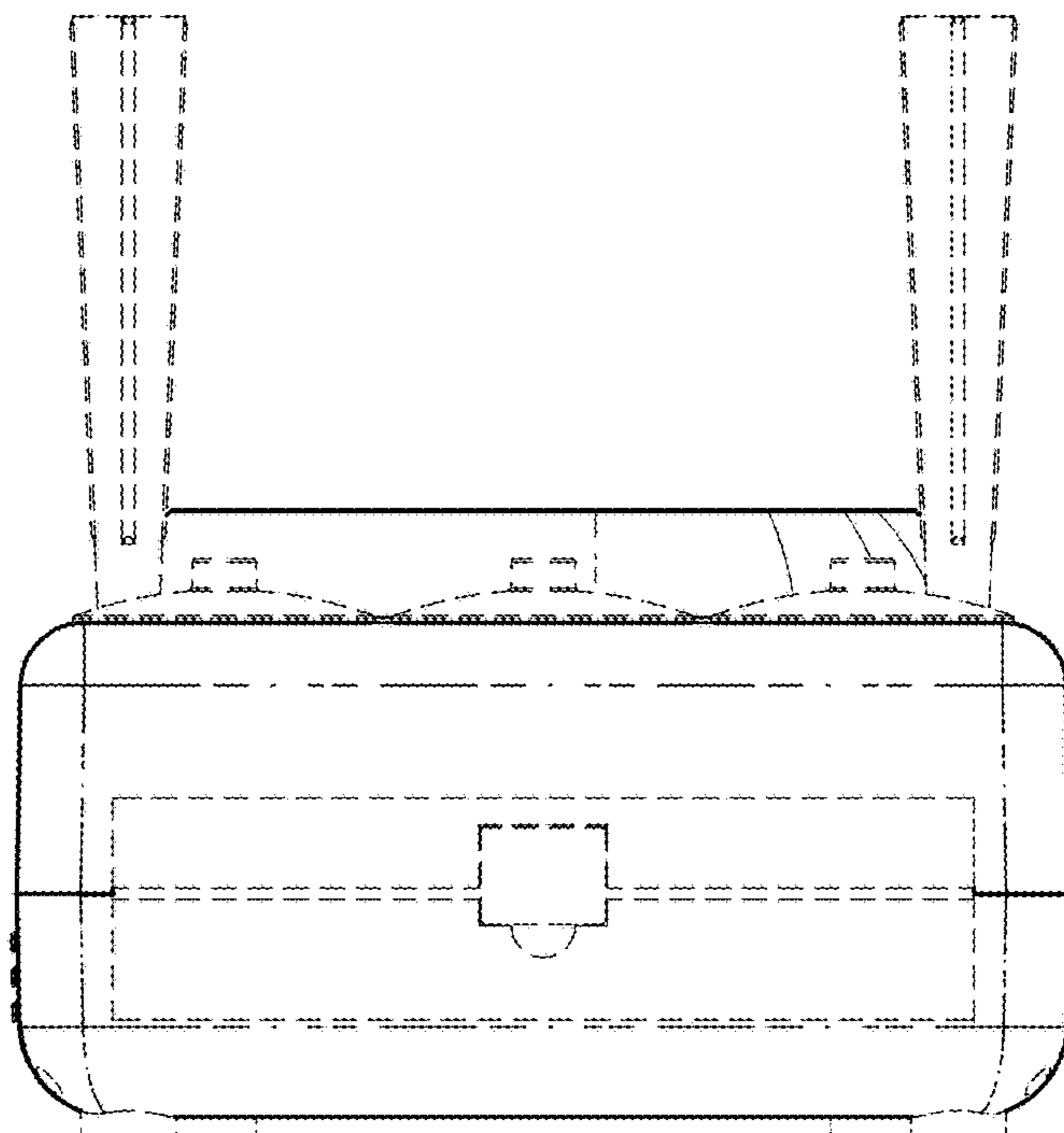


FIG. 10



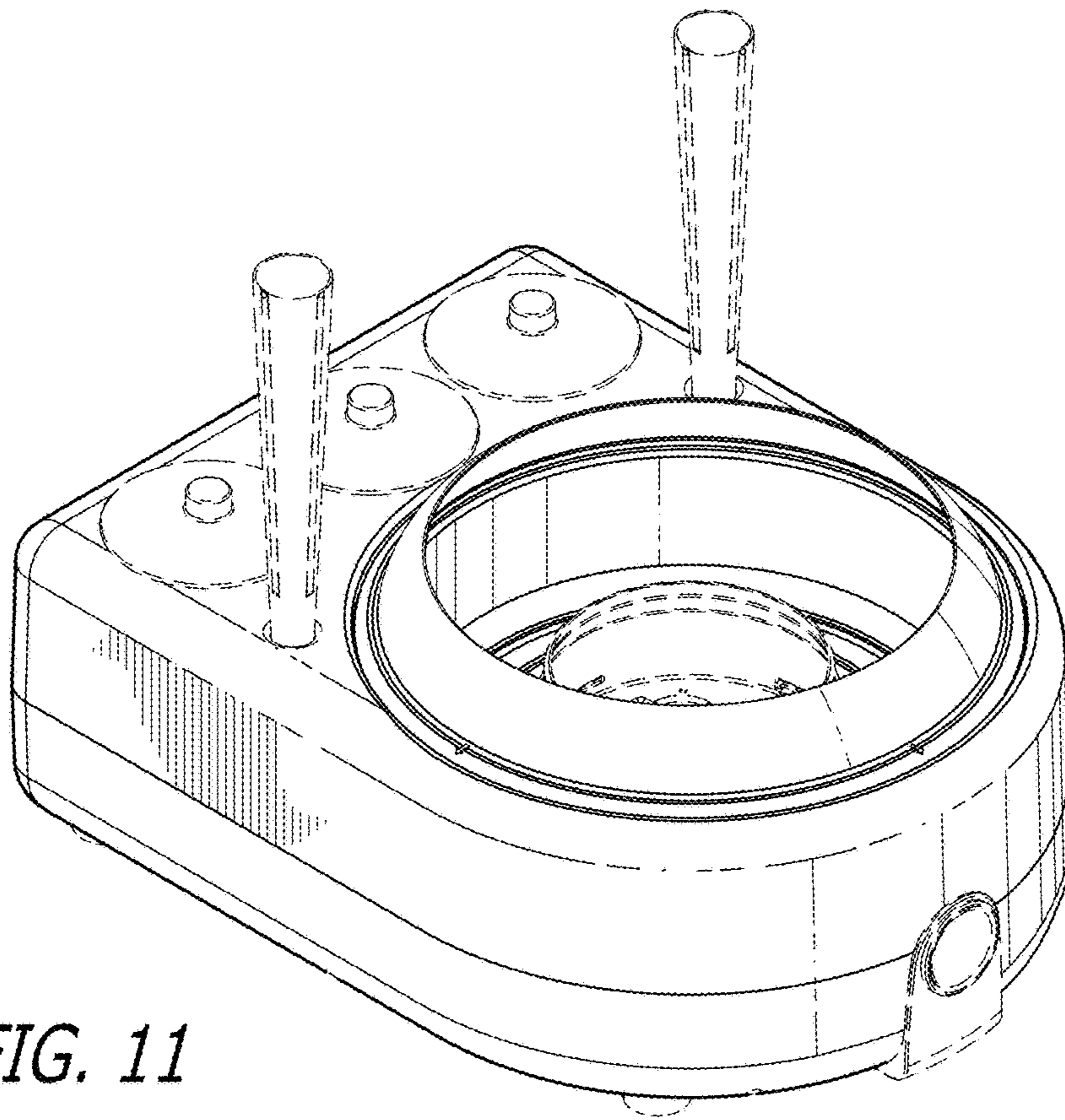


FIG. 11

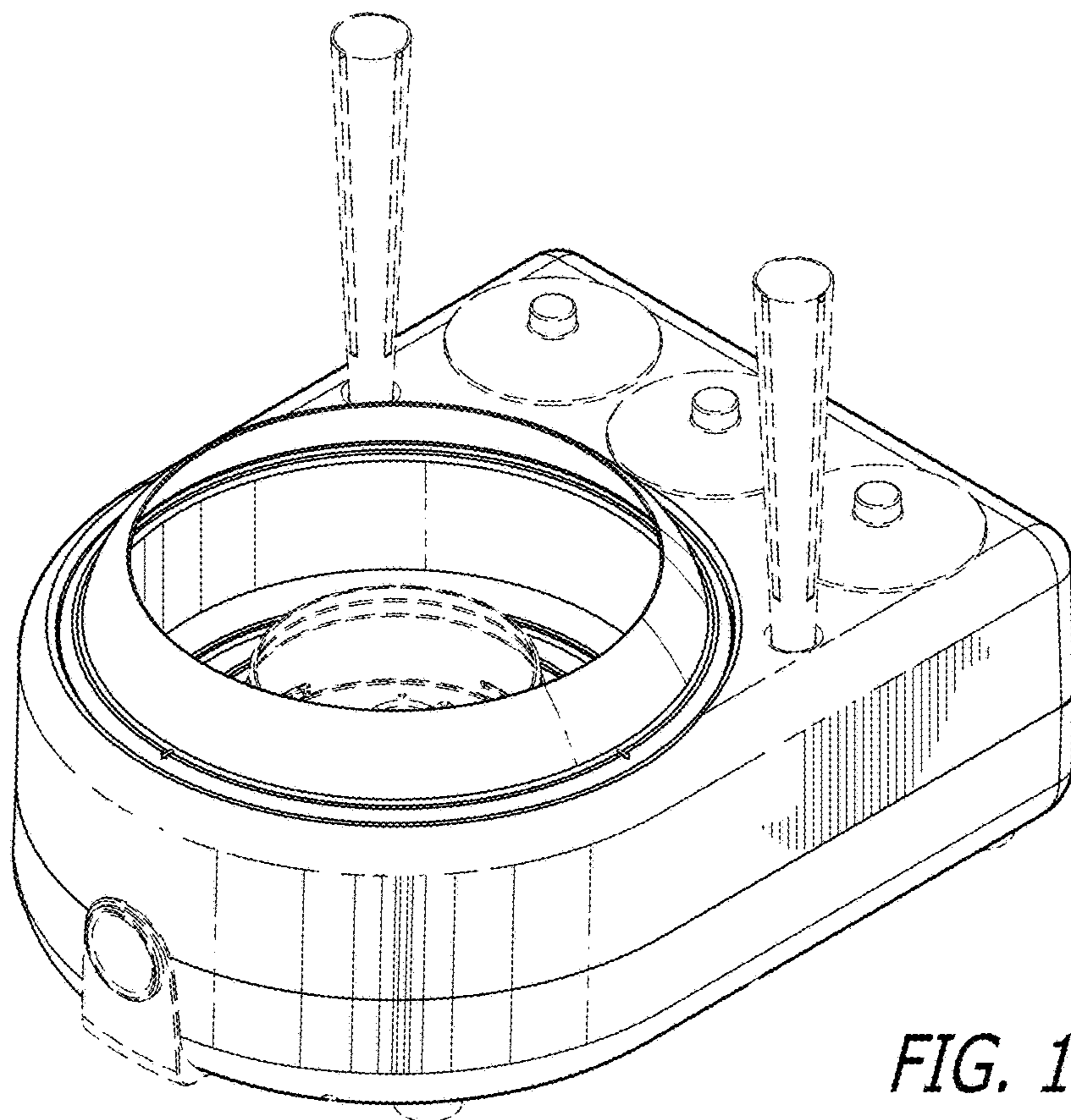


FIG. 12

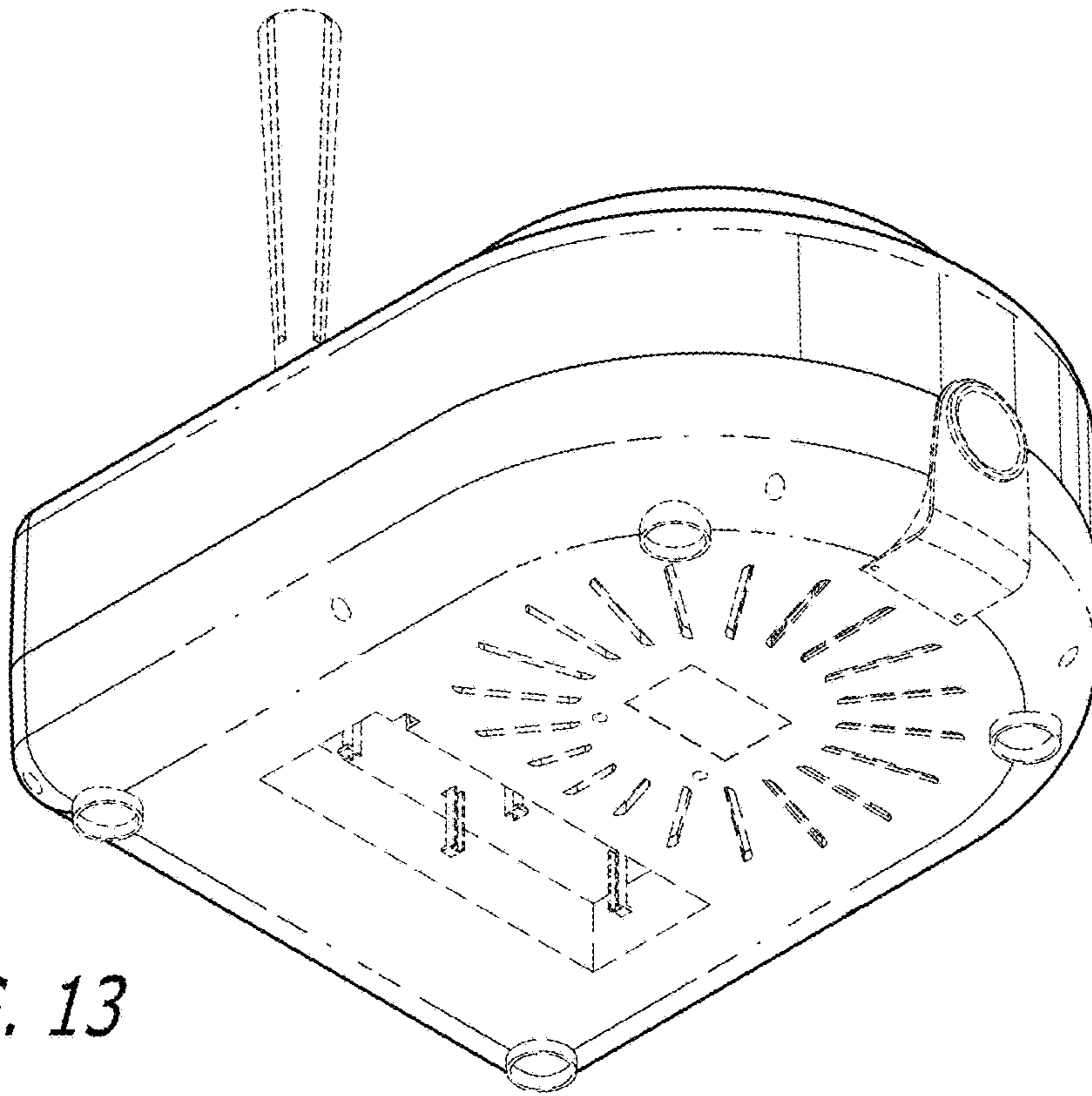


FIG. 13

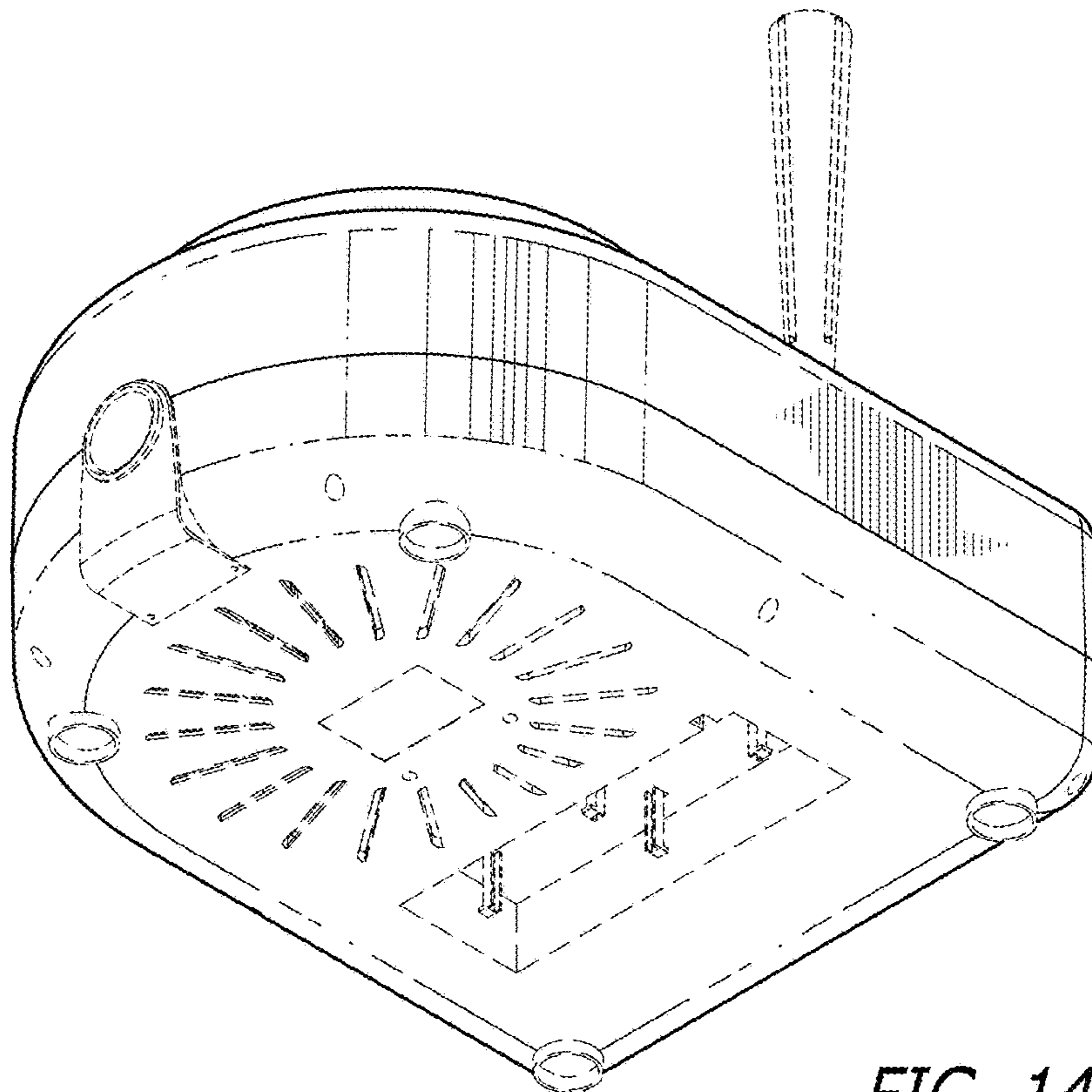


FIG. 14

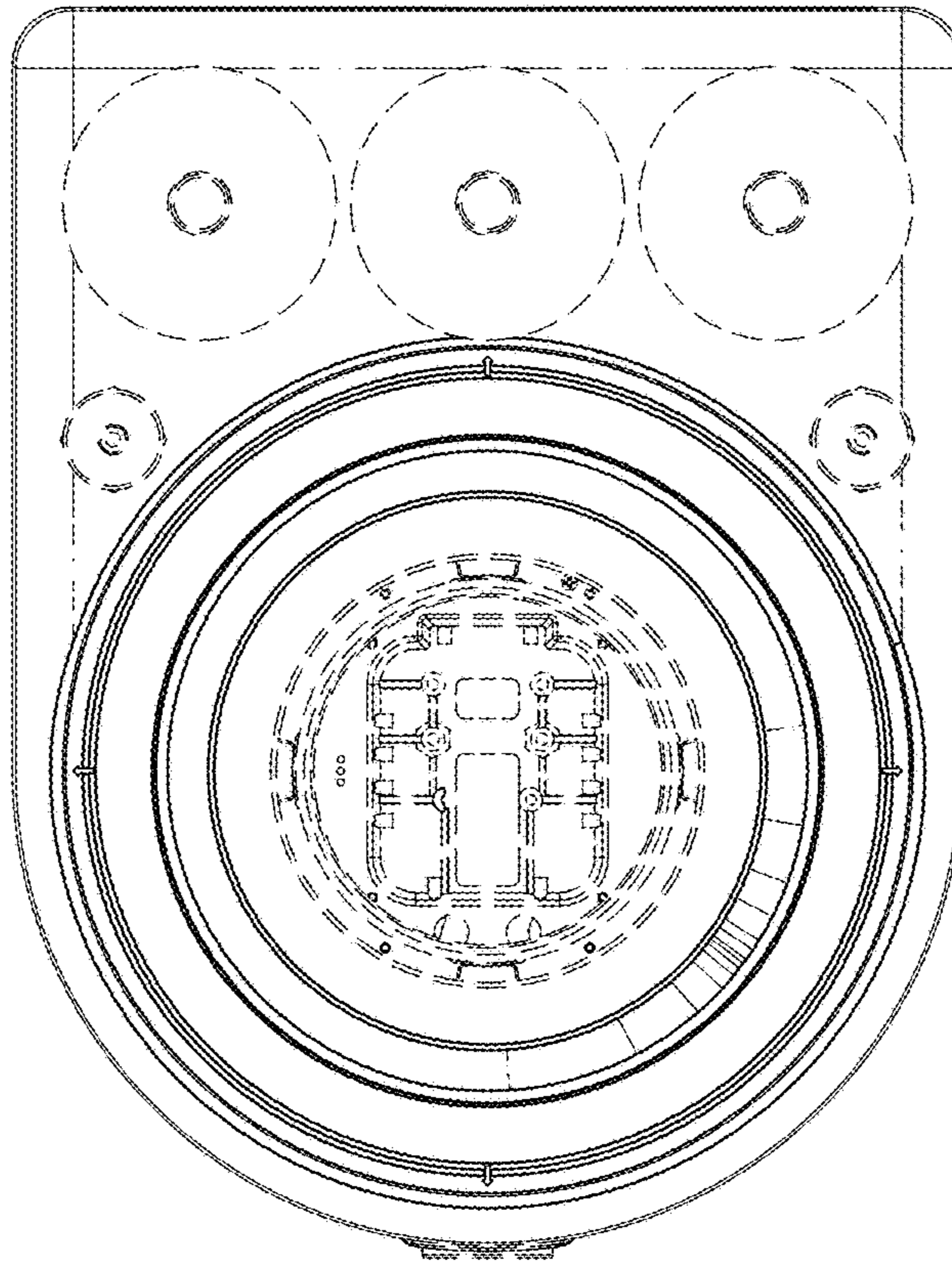


FIG. 15

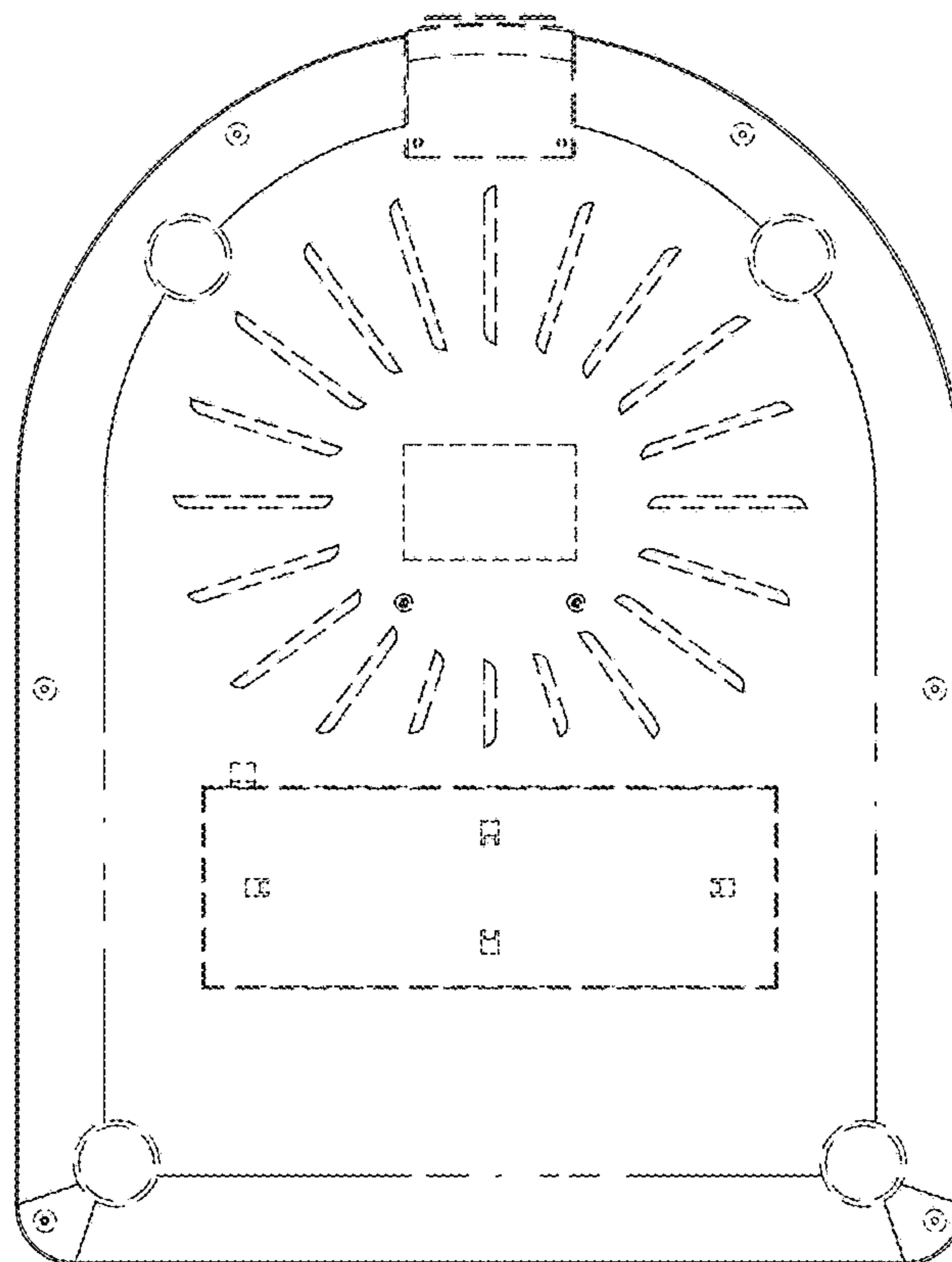


FIG. 16

FIG. 17

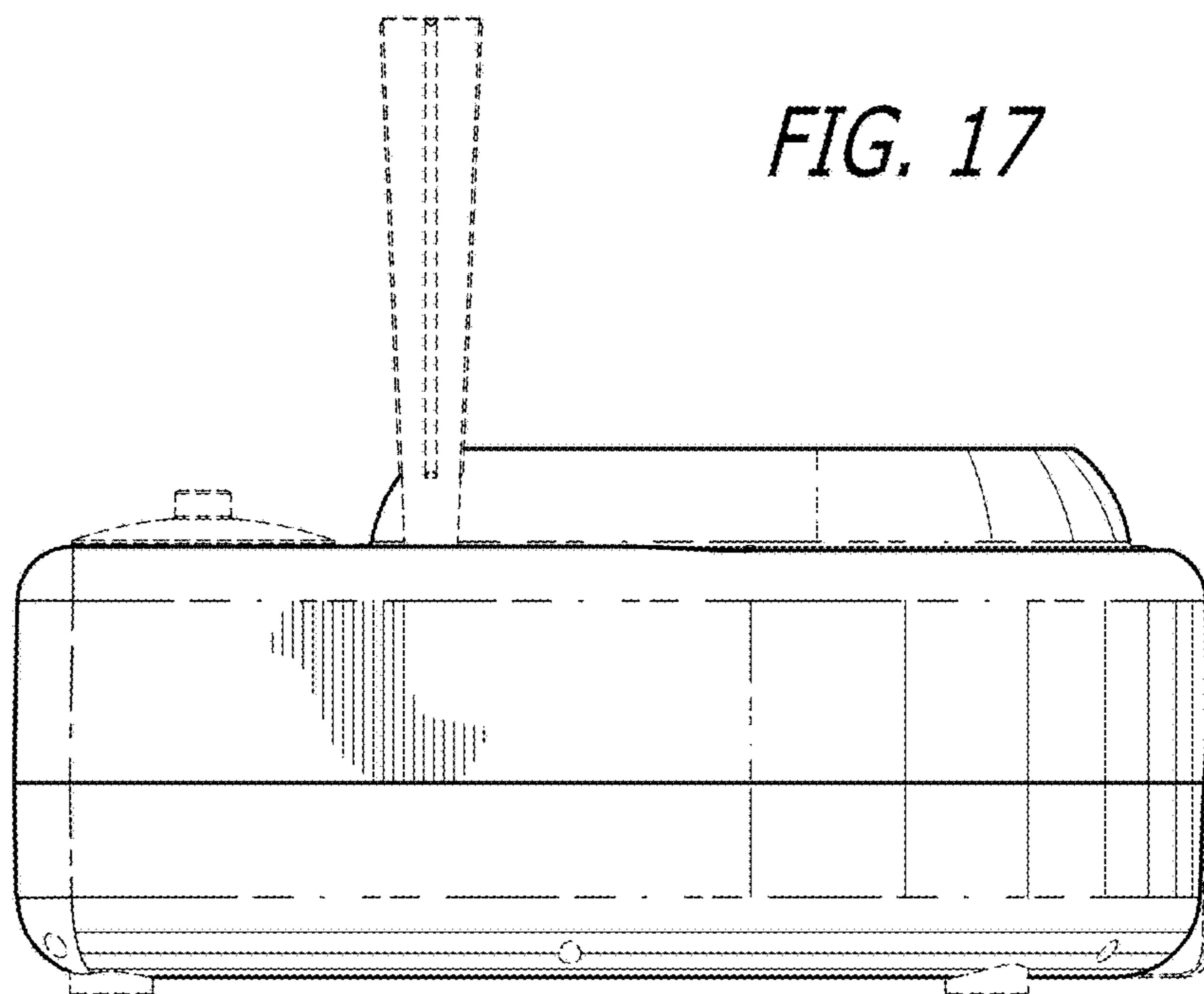


FIG. 18

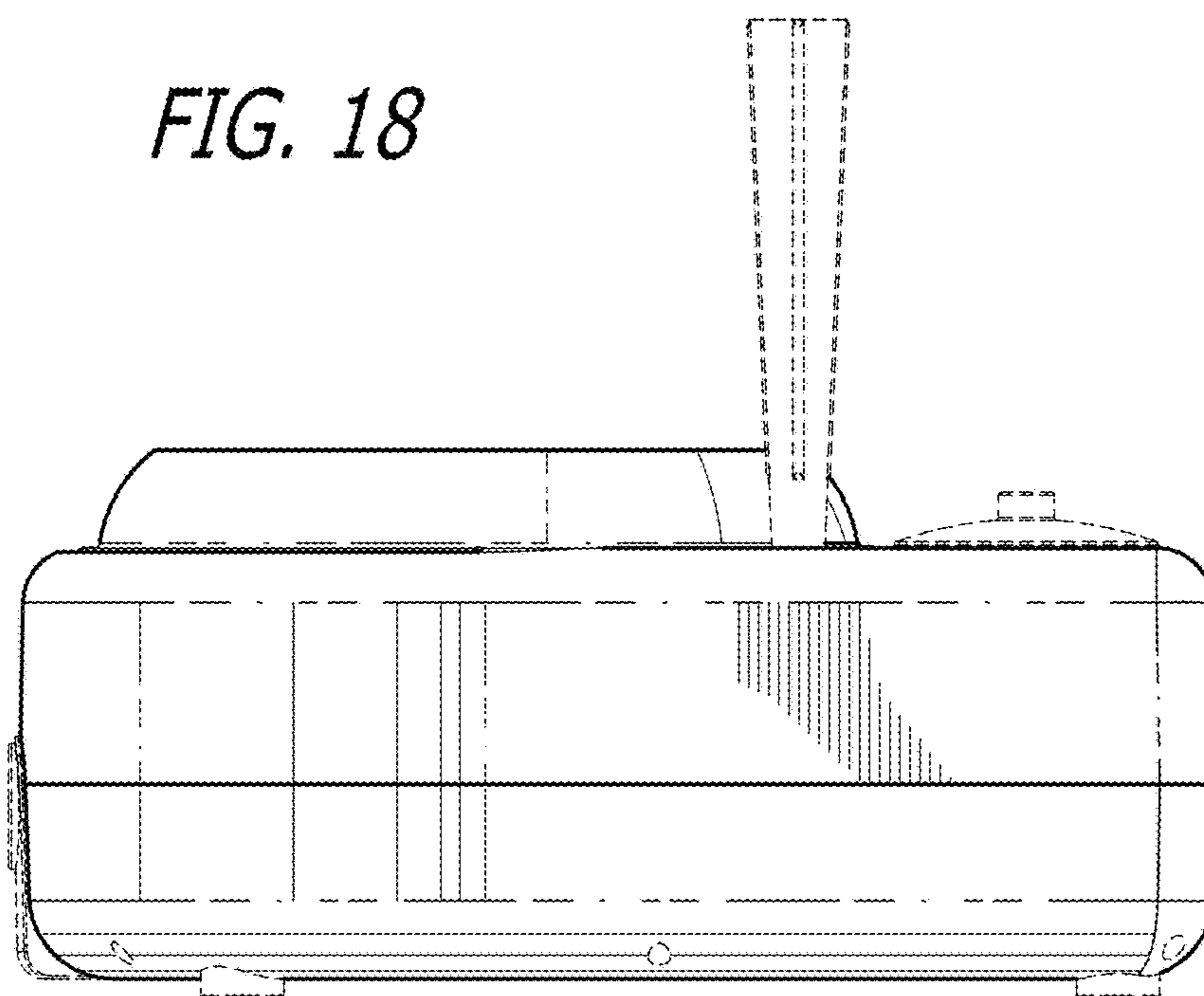


FIG. 19

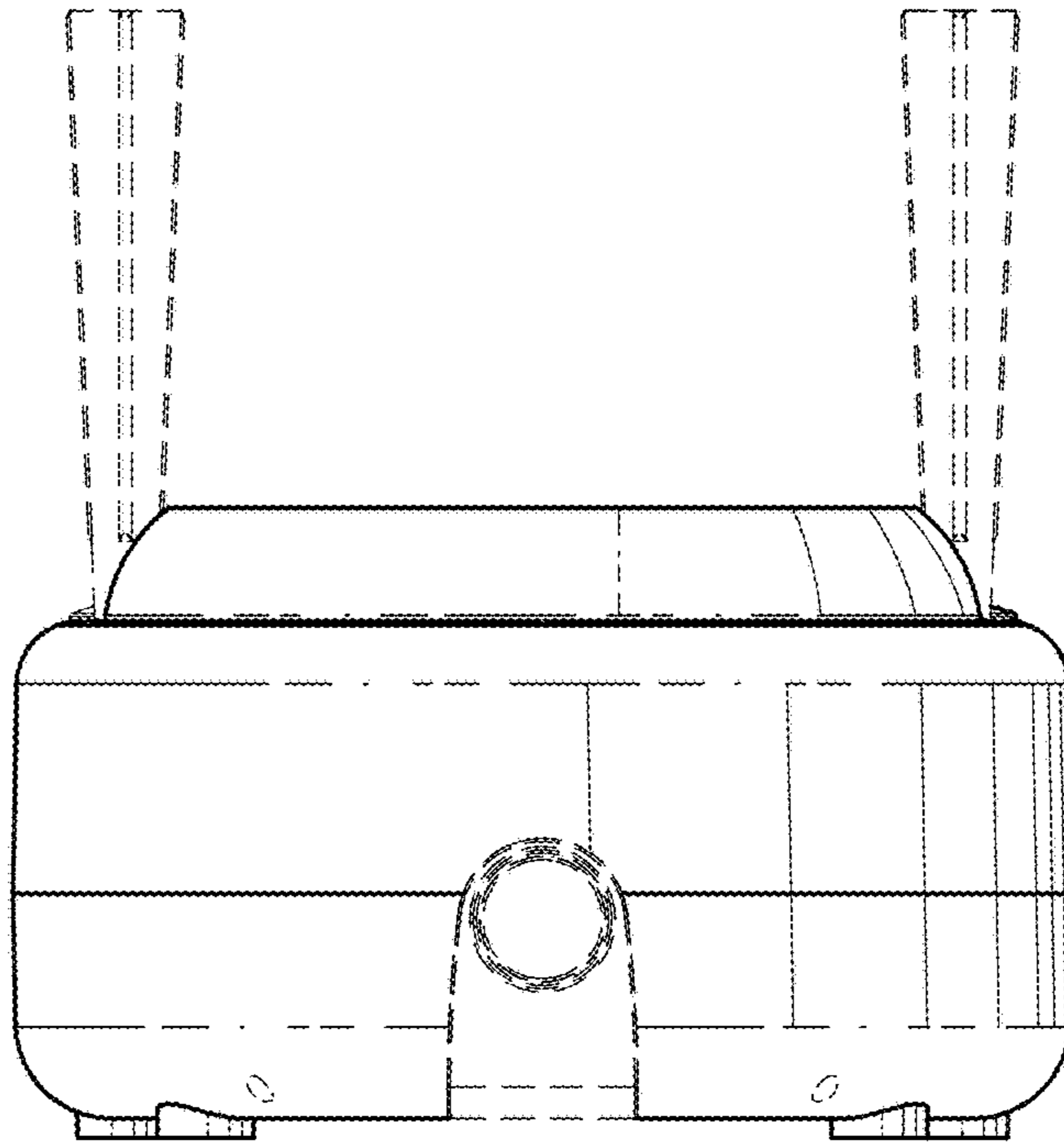


FIG. 20

