



US00D799879S

(12) **United States Design Patent** (10) **Patent No.:** **US D799,879 S**
Shmueli et al. (45) **Date of Patent:** **** Oct. 17, 2017**

(54) **DOMESTIC SODA-WATER PREPARING DEVICE**

D600,493 S 9/2009 Pino et al.
D608,129 S * 1/2010 Spear D7/306
D610,388 S * 2/2010 Hazan D7/306
D658,423 S 5/2012 Curtis et al.
D679,933 S * 4/2013 Bruno D7/306

(71) Applicant: **SodaStream Industries Ltd**, Air Port City (IL)

(Continued)

(72) Inventors: **Eyal Shmueli**, Reut (IL); **Amit Avigdor**, Nitzanei Oz (IL); **Hagai Harduff**, Binyamina (IL); **Doron Krom**, Zichron Yaacov (IL); **Oded Gov**, Tel Aviv (IL)

FOREIGN PATENT DOCUMENTS

CL 200800107 7/2007
CL 201100803 10/2010

(Continued)

(73) Assignee: **SODASTREAM INDUSTRIES LTD.**, Air Port City (IL)

OTHER PUBLICATIONS

(**) Term: **15 Years**

Notice of Allowance for Taiwanese Patent Application No. 105303784, mailed Dec. 8, 2016.

(Continued)

(21) Appl. No.: **29/564,200**

(22) Filed: **May 11, 2016**

Primary Examiner — Marianne Pandozzi
(74) *Attorney, Agent, or Firm* — Pearl Cohen Zedek Latzer Baratz LLP

(30) **Foreign Application Priority Data**

Feb. 23, 2016 (CA) 167128

(51) **LOC (10) Cl.** **07-01**

(52) **U.S. Cl.**
USPC **D7/306; D7/311**

(58) **Field of Classification Search**

USPC D7/305-311, 313, 589; D15/82; 222/129.1, 146.6; 99/295
CPC A47J 31/44; A47J 31/4403; A47J 31/46; A47J 31/4482; A47J 31/369; A47J 31/407; A47J 31/30; A47J 31/20; A47J 4/025; A47J 31/002; B67D 1/36; B67D 2210/0065; B67D 1/0864; B67D 3/0061

See application file for complete search history.

(56) **References Cited**

U.S. PATENT DOCUMENTS

D408,494 S 4/1999 Parise
D442,010 S 5/2001 Collin et al.
D515,347 S 2/2006 Reuss et al.

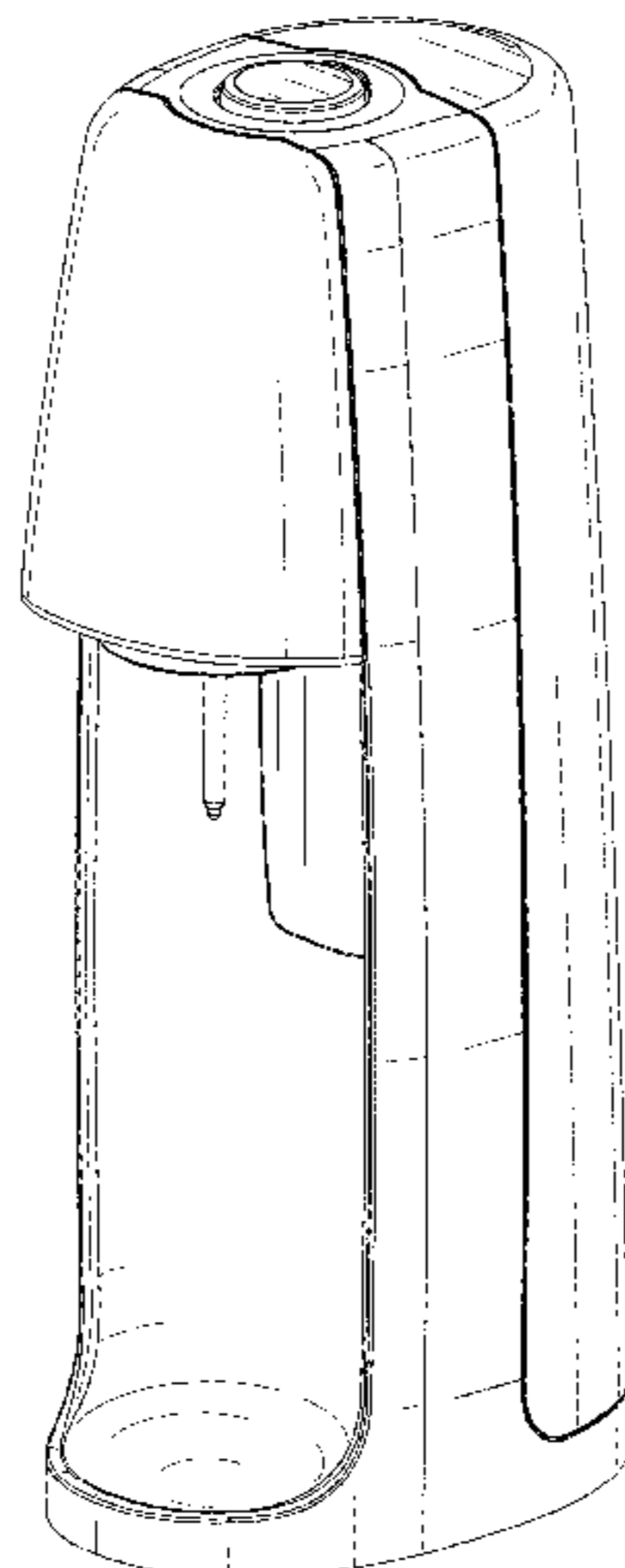
(57) **CLAIM**

The ornamental design for a domestic soda-water preparing device, as shown and described.

DESCRIPTION

FIG. 1 is a top, front, right side perspective of the domestic soda-water preparing device;
FIG. 2 is a top, back, left side perspective view thereof;
FIG. 3 is a front elevation view thereof;
FIG. 4 is a back elevation view thereof;
FIG. 5 is a right side elevation view thereof;
FIG. 6 is a left side elevation view thereof;
FIG. 7 is a top plan view thereof; and,
FIG. 8 is a bottom plan view thereof.
The broken lines in the drawing depict portions of the domestic soda-water preparing device that form no part of the claimed design.

1 Claim, 8 Drawing Sheets



(56)

References Cited

U.S. PATENT DOCUMENTS

D681,385 S * 5/2013 Ring D7/306
D687,664 S 8/2013 Beghelli
D701,411 S * 3/2014 Stacks D7/306
D703,476 S * 4/2014 Behar D7/306
D734,635 S * 7/2015 Behar D7/306
D783,333 S * 4/2017 Burrows D7/306

FOREIGN PATENT DOCUMENTS

CN 302066079 S 9/2012
CN 303361420 S 9/2015
CN 303429921 S 11/2015
TW D427714 3/2001

OTHER PUBLICATIONS

Office Action for Chilean Design Application No. 2016-001645, dated Apr. 13, 2017.

Donjuan, “El Terror de Coca-Cola! Prepare Su Propia Gaseosa” published Sep. 5, 2014. Accessible via web: <http://www.revistadonjuan.com/tecnologia/el-terror-de-coca-cola-prepare-su-propia-gaseosa+articulo+14491087>.

Amazon, “SodaStream 1100061490—Gasificador de agua, incluye jarra de agua” published Mar. 15, 2012. Accessible via web: <https://www.amazon.es/SodaStream-1100061490-Gasificador-incluye-jarra/dp/B003KGAI3K>.

Airea Condicionado, “Gasificador de Agua PSA” published Jun. 28, 2012. Accessible via web: <http://www.otkachka-auto.ru/gasificador-de-agua-psa/>.

Sonitron, “Productor Domestico bebidas Gaseosas Sodastream”, “SodaStream JET WHITE A200”, published Nov. 11, 2011. Accessible via web: https://www.czc.cz/sodastream-jet-white-a200_2/82151/produkt.

* cited by examiner

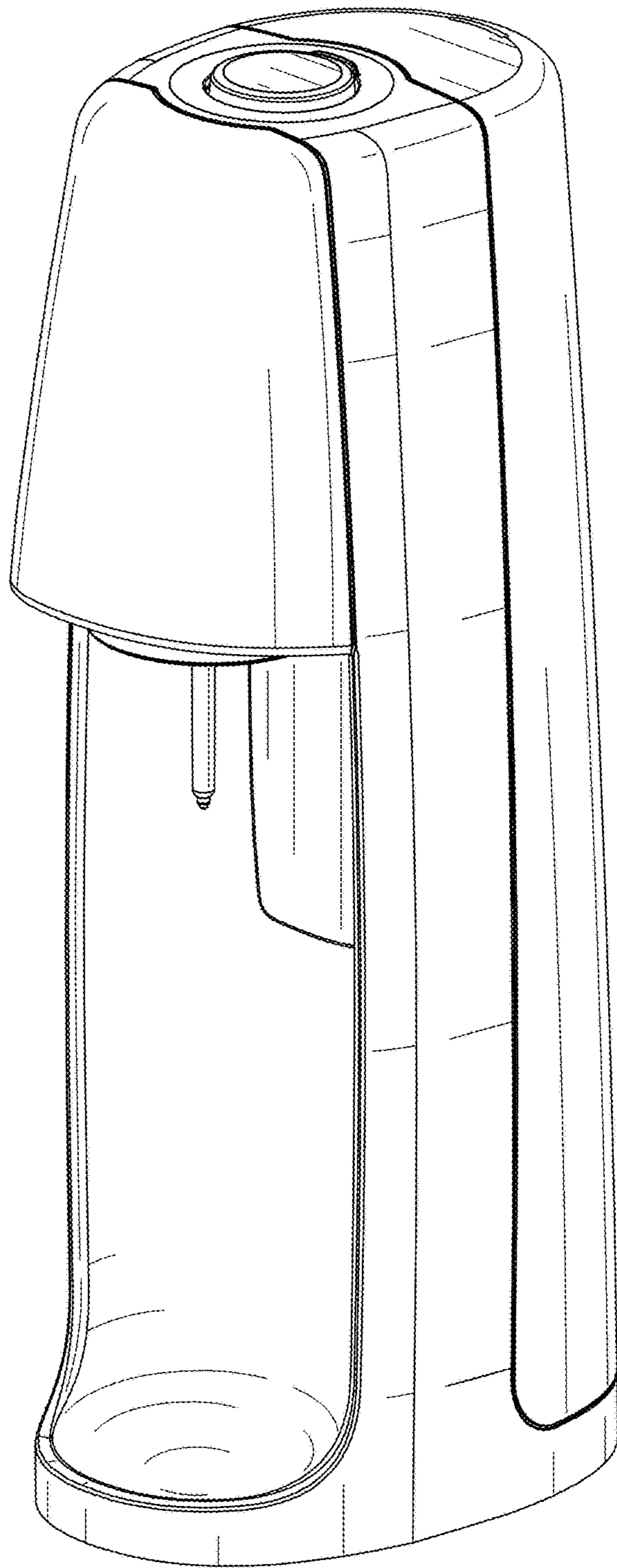


FIG. 1

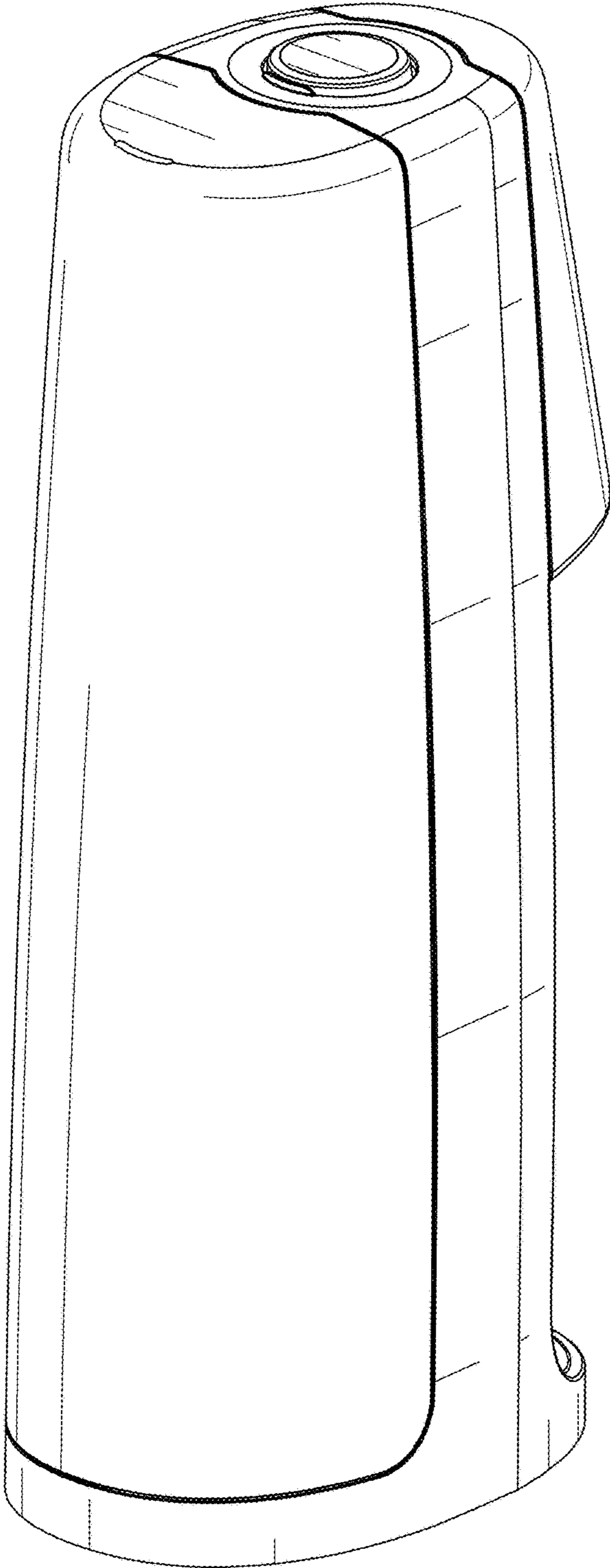


FIG.2

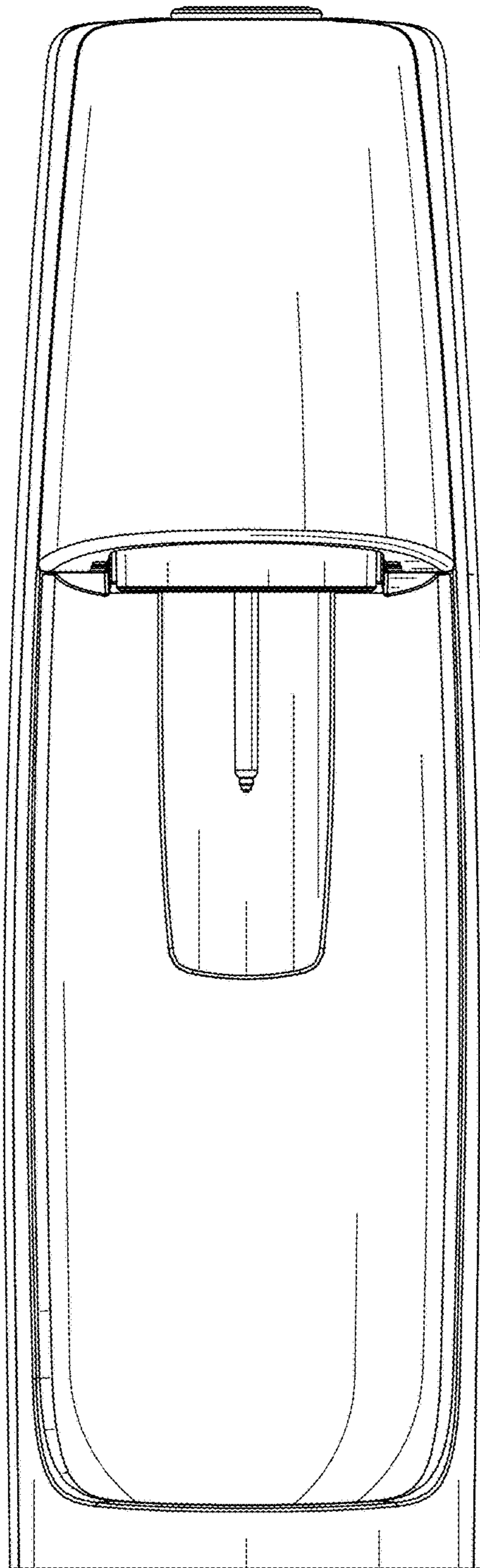


FIG. 3

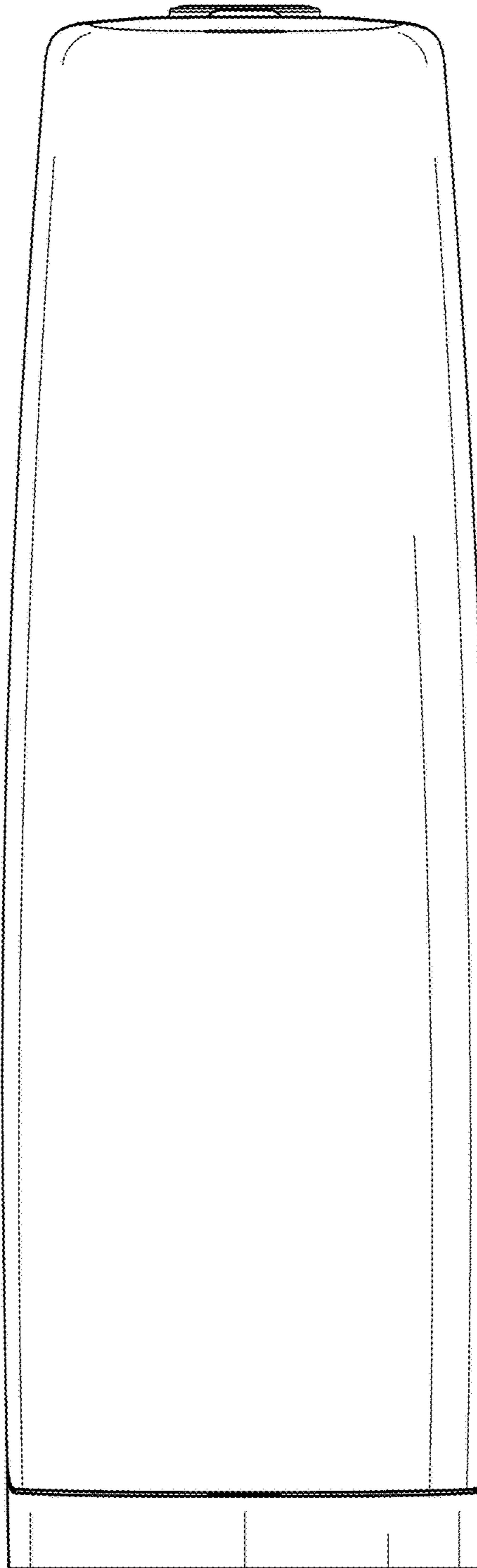


FIG. 4

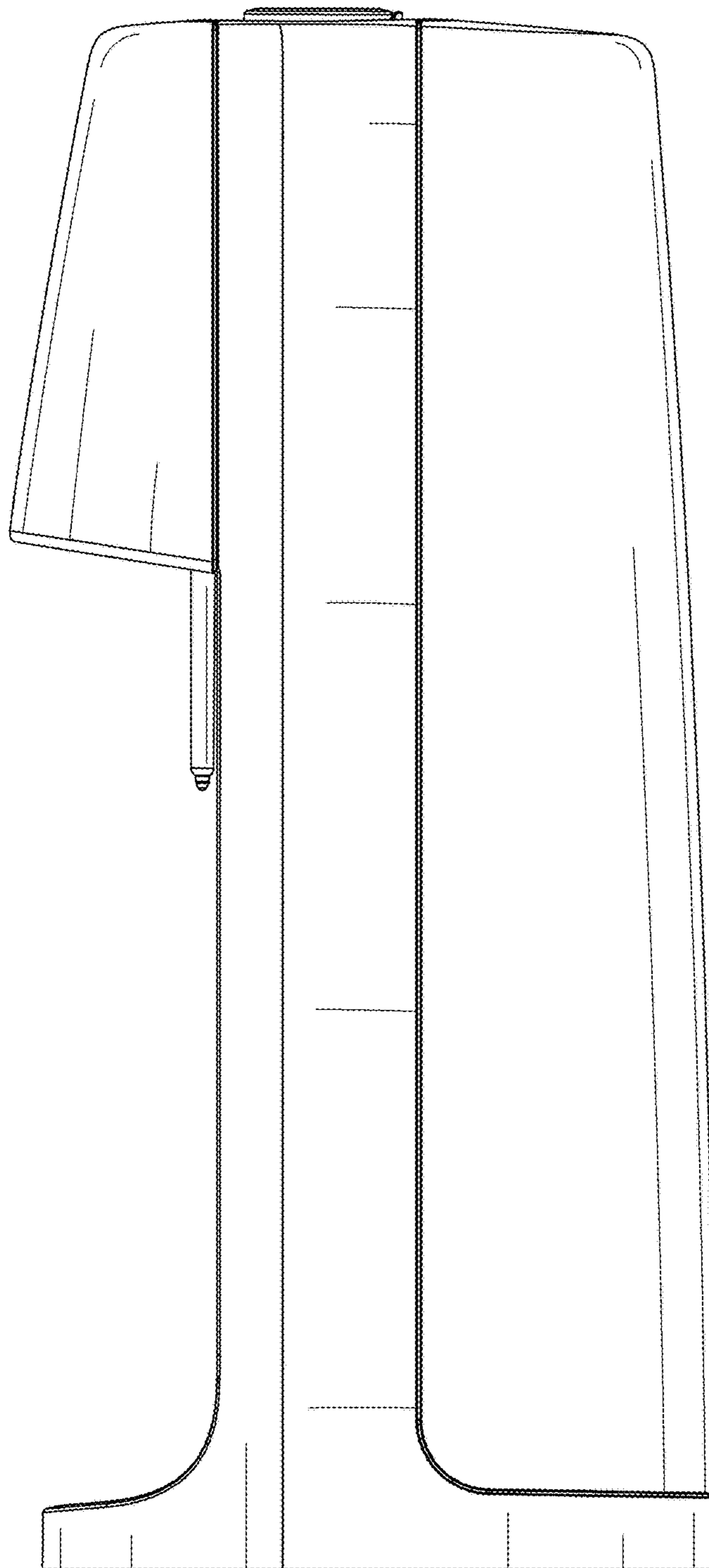


FIG. 5

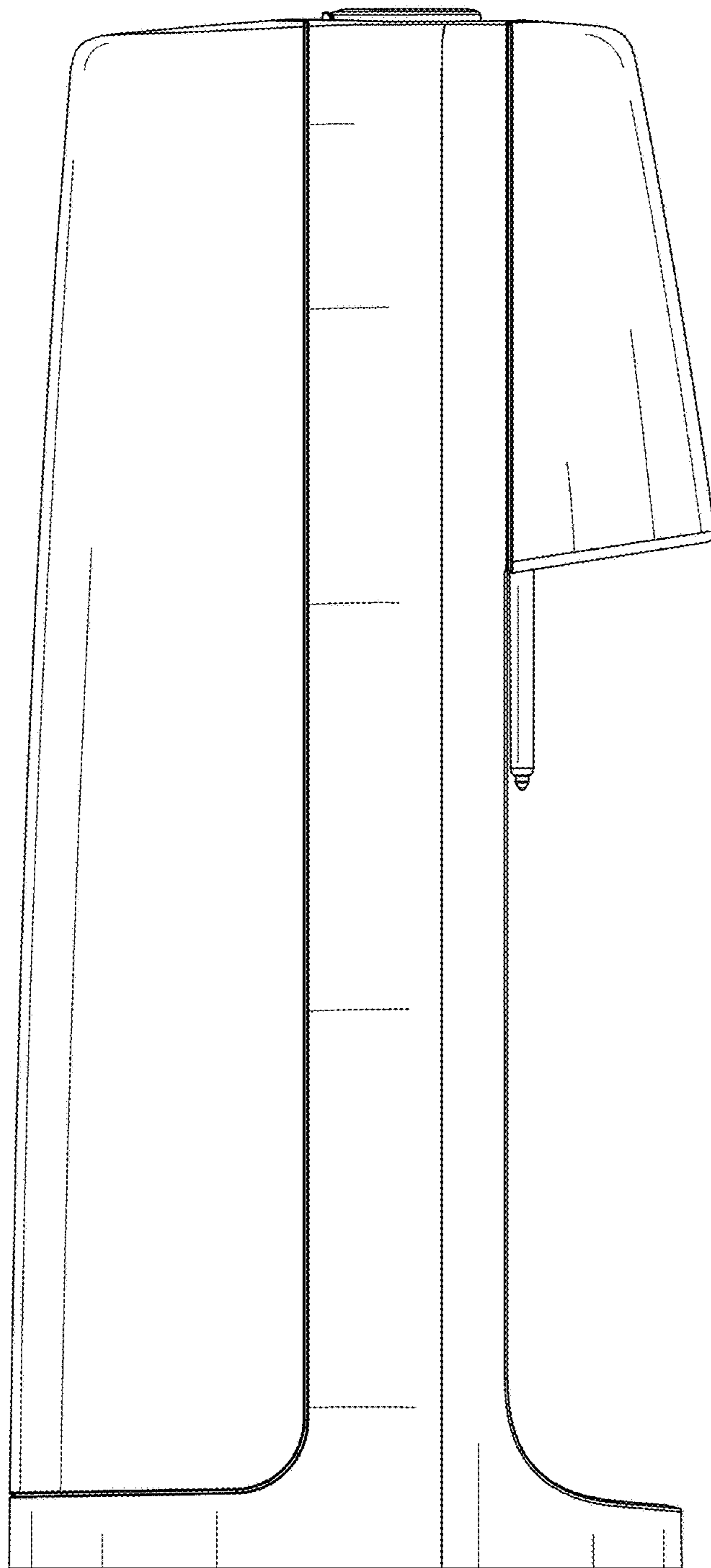


FIG.6

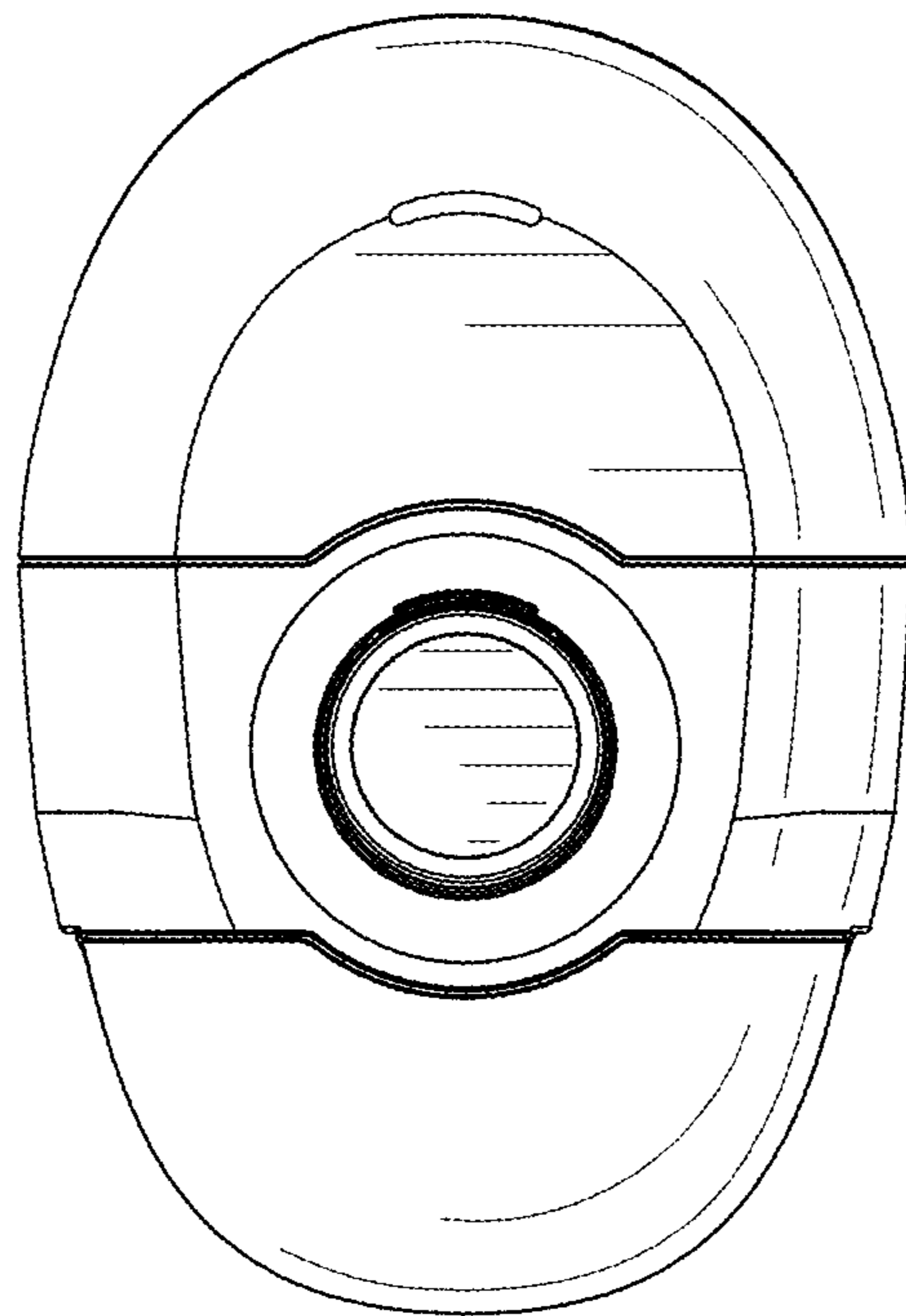


FIG. 7

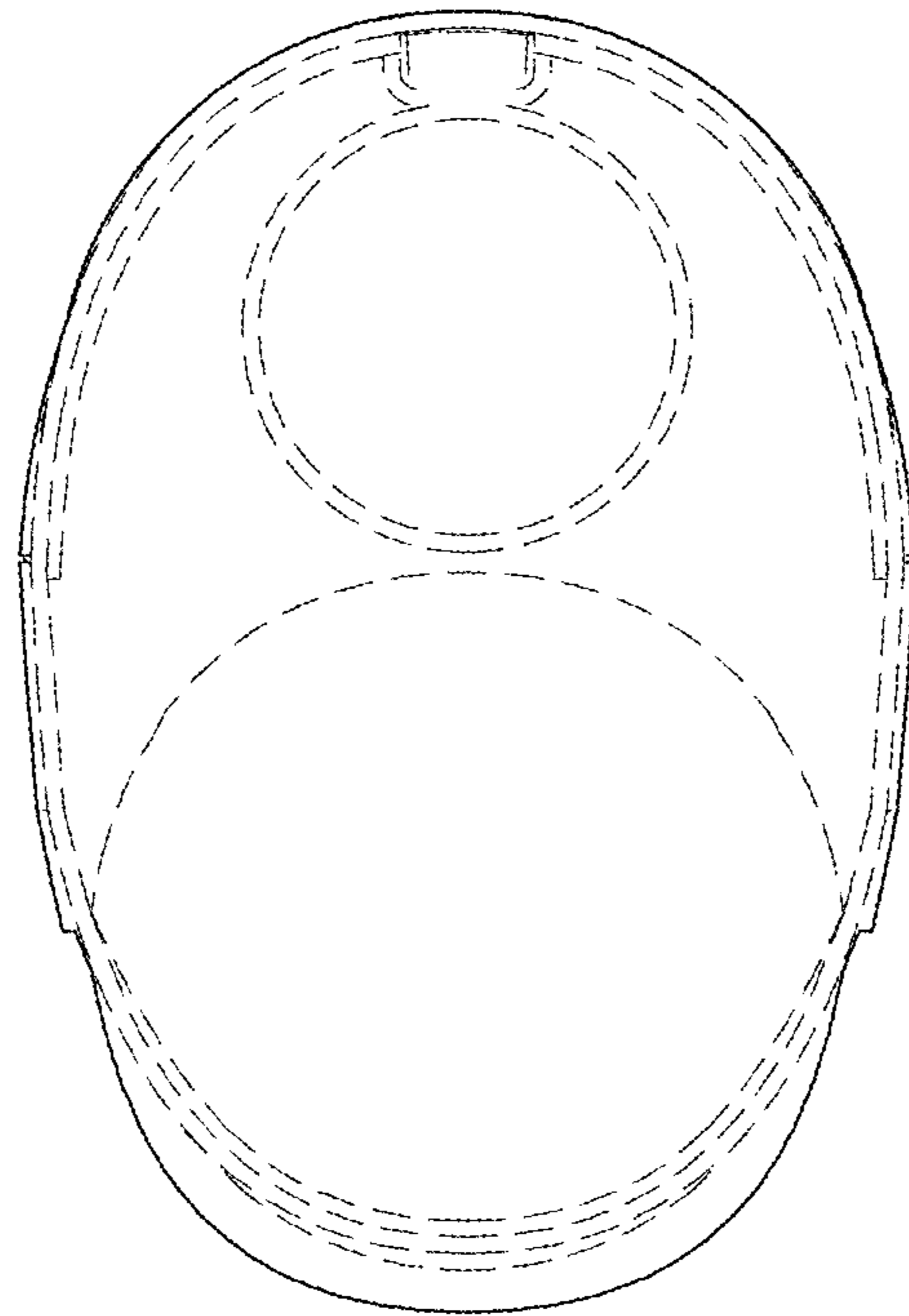


FIG. 8