



US00D799877S

(12) **United States Design Patent** (10) **Patent No.:** **US D799,877 S**
Mulder et al. (45) **Date of Patent:** **** Oct. 17, 2017**

(54) **LUMBAR SUPPORT FRAME**
(71) Applicant: **EXEMPLIS LLC**, Cypress, CA (US)
(72) Inventors: **Mitch Mulder**, Huntington Beach, CA (US); **Paul Devries**, Huntington Beach, CA (US); **Adam Huennekens**, Fullerton, CA (US)

D582,170 S * 12/2008 Chi D6/366
D587,942 S * 3/2009 Dallmann D6/716.4
D647,314 S * 10/2011 Lu D6/366
D683,552 S * 6/2013 Wu D6/366
D703,966 S * 5/2014 Wu D6/366
D709,312 S * 7/2014 Giugiaro D6/716.4
D779,249 S * 2/2017 Cassaday D6/366
D779,251 S * 2/2017 Beyer D6/716.4
D784,749 S * 4/2017 Welsh D6/716.4
2002/0036420 A1* 3/2002 Footitt A47C 7/46
297/284.4

(73) Assignee: **EXEMPLIS LLC**, Cypress, CA (US)

(Continued)

(**) Term: **15 Years**

Primary Examiner — Mimosa De

(21) Appl. No.: **29/559,457**

(74) *Attorney, Agent, or Firm* — Gordon Rees Scully Mansukhani LLP; Sean D. Flaherty

(22) Filed: **Mar. 28, 2016**

(57) **CLAIM**

(51) **LOC (10) Cl.** **06-01**

The ornamental design for a lumbar support frame, as shown and described.

(52) **U.S. Cl.**

USPC **D6/716.4**

(58) **Field of Classification Search**

DESCRIPTION

USPC D6/334-336, 364, 365, 366, 367, 604, D6/716, 716.1, 716.2, 716.3, 716.4
CPC A47C 7/46; A47C 7/462; A47C 7/465; A47C 7/467; B60N 2/66; B60N 2/663; B60N 2/665; B60N 2/667; B60N 2/6671
See application file for complete search history.

FIG. 1 is a top rear isometric view of a first embodiment of a lumbar support frame of the present invention.

FIG. 2 is a front elevation view of the lumbar support frame of FIG. 1.

FIG. 3 is a rear elevation view of the lumbar support frame of FIG. 1.

FIG. 4 is a left-side elevation view of the lumbar support frame of FIG. 1.

FIG. 5 is a right-side elevation view of the lumbar support frame of FIG. 1.

FIG. 6 is a top plan view of the lumbar support frame of FIG. 1.

FIG. 7 is a bottom plan view of the lumbar support frame of FIG. 1; and,

FIG. 8 is a top rear isometric view of the lumbar support frame of FIG. 1 as used in a chair, with the chair disclaimed.

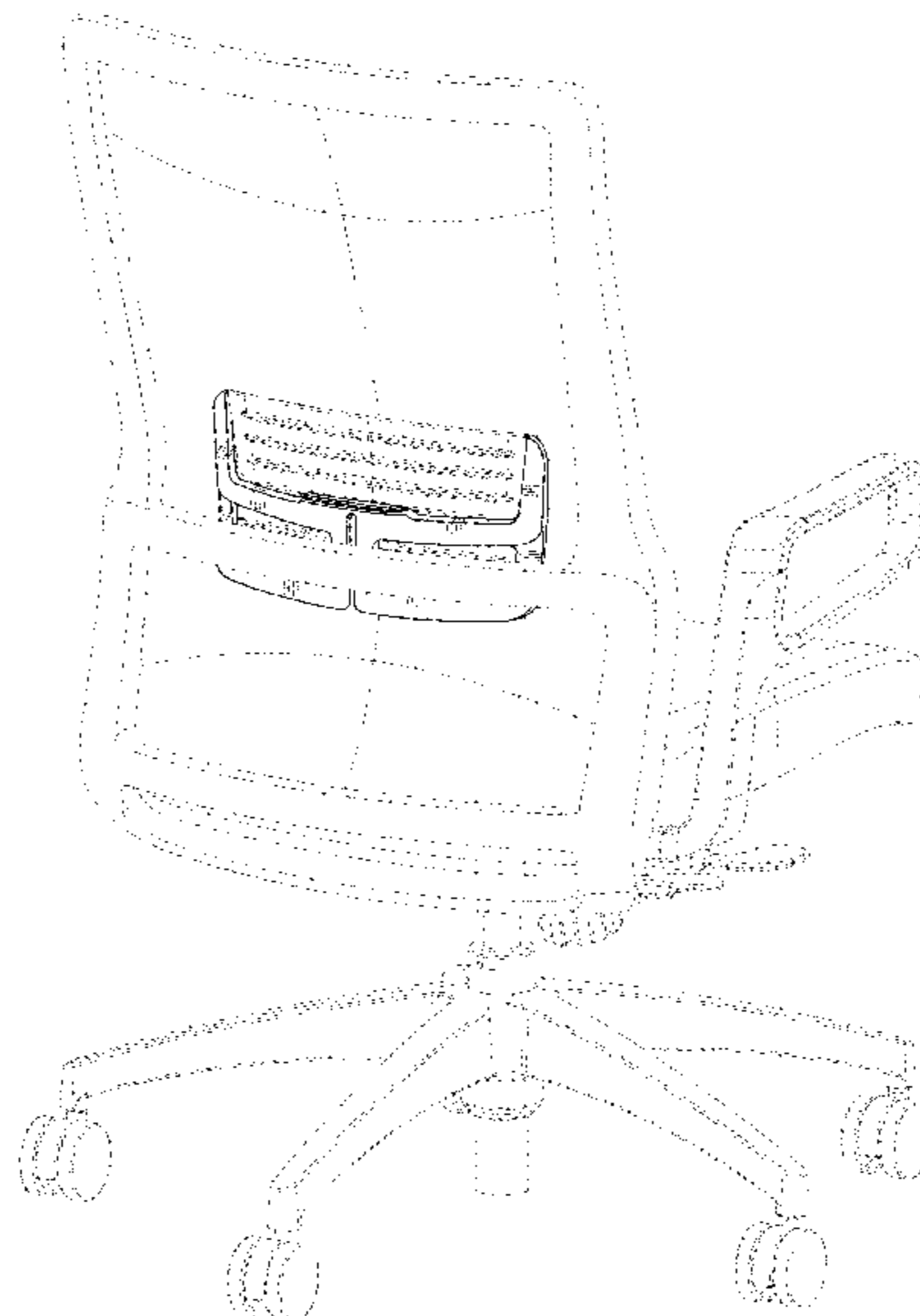
The dotted lines are for illustration purposes only and form no part of the claimed design.

(56) **References Cited**

U.S. PATENT DOCUMENTS

D445,580 S * 7/2001 Pennington D6/366
D493,627 S * 8/2004 Ma D6/366
D495,509 S * 9/2004 Breen D6/366
6,874,852 B2 * 4/2005 Footitt A47C 7/46
297/284.4
6,981,743 B2 * 1/2006 Edwards A47C 7/462
297/284.4
7,347,495 B2 * 3/2008 Beyer A47C 7/462
297/284.3
D576,814 S * 9/2008 Baldanzi D6/366
D579,695 S * 11/2008 Wu D6/366
D580,198 S * 11/2008 Wu D6/716.4

1 Claim, 8 Drawing Sheets



(56)

References Cited

U.S. PATENT DOCUMENTS

2007/0057550 A1* 3/2007 Beyer A47C 7/462
297/284.4

* cited by examiner

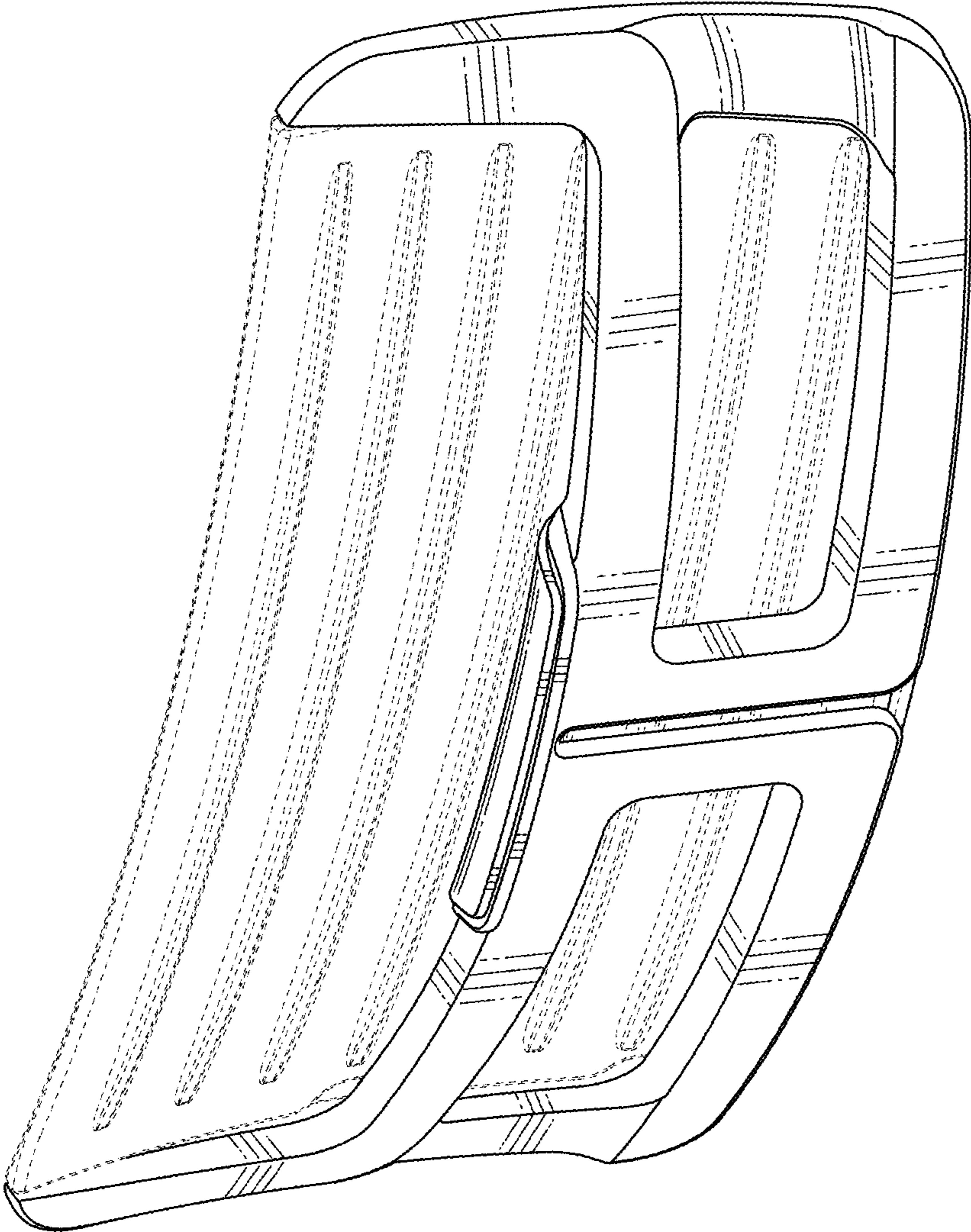


FIG. 1

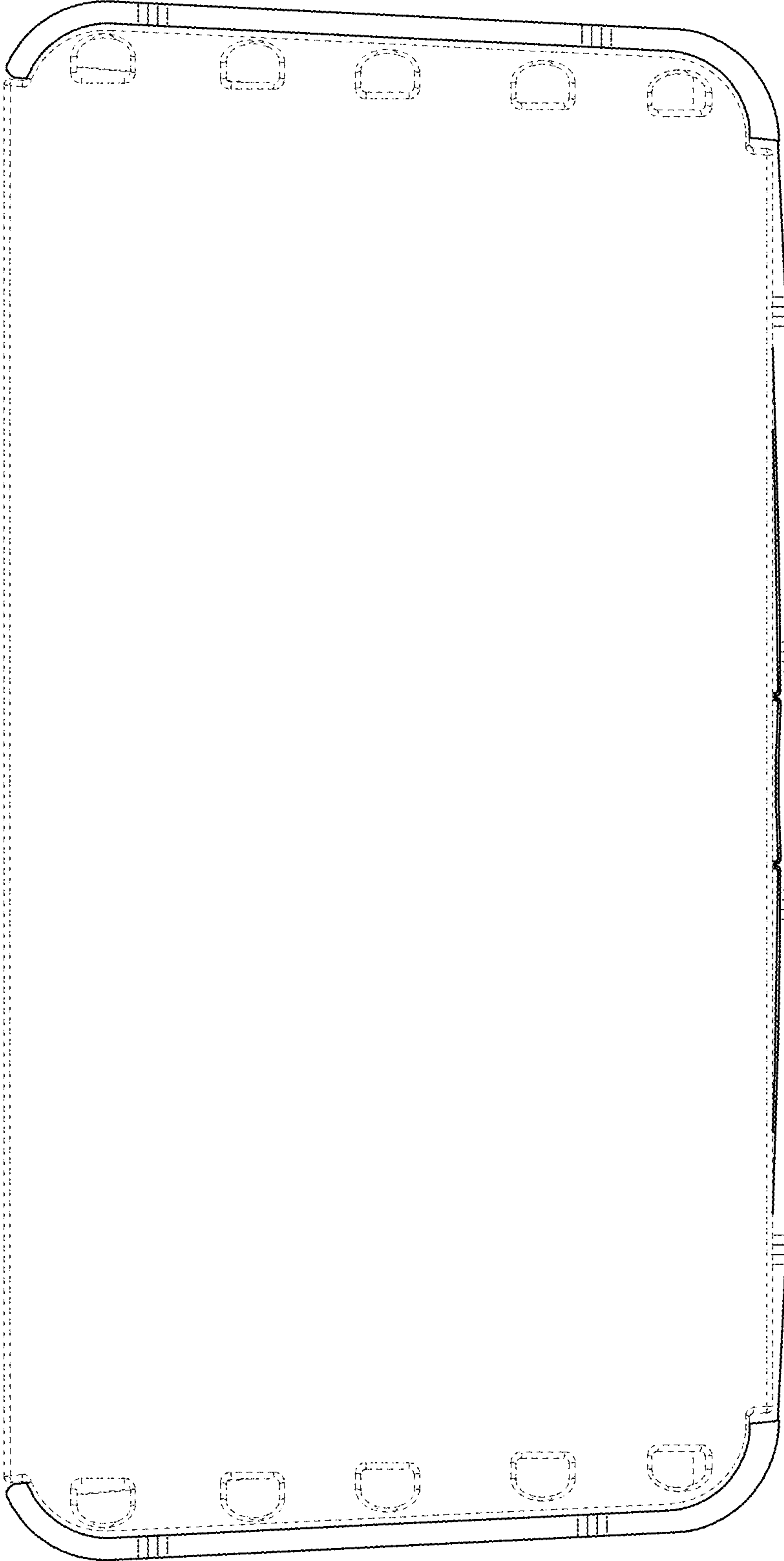


FIG. 2

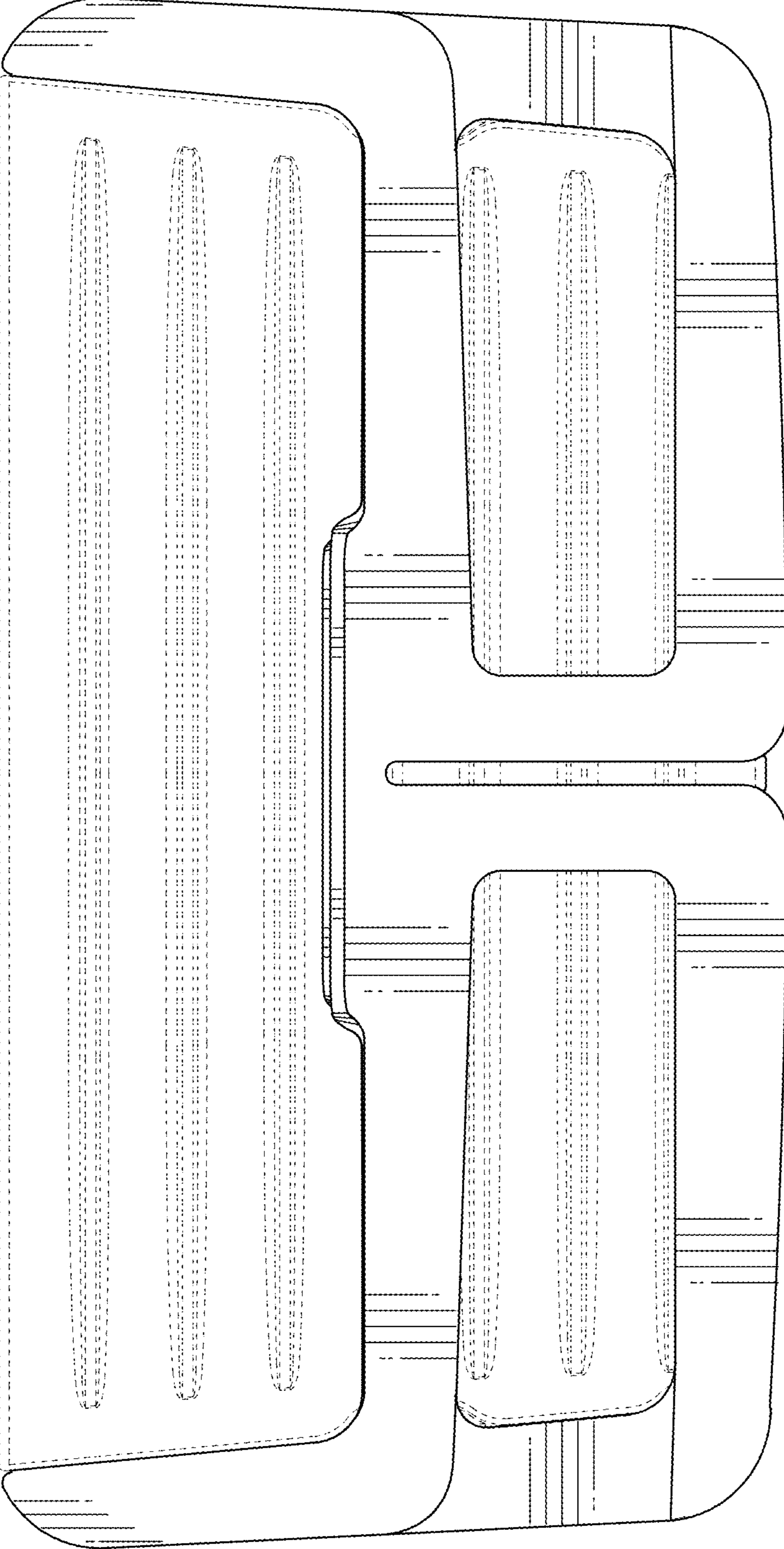


FIG. 3

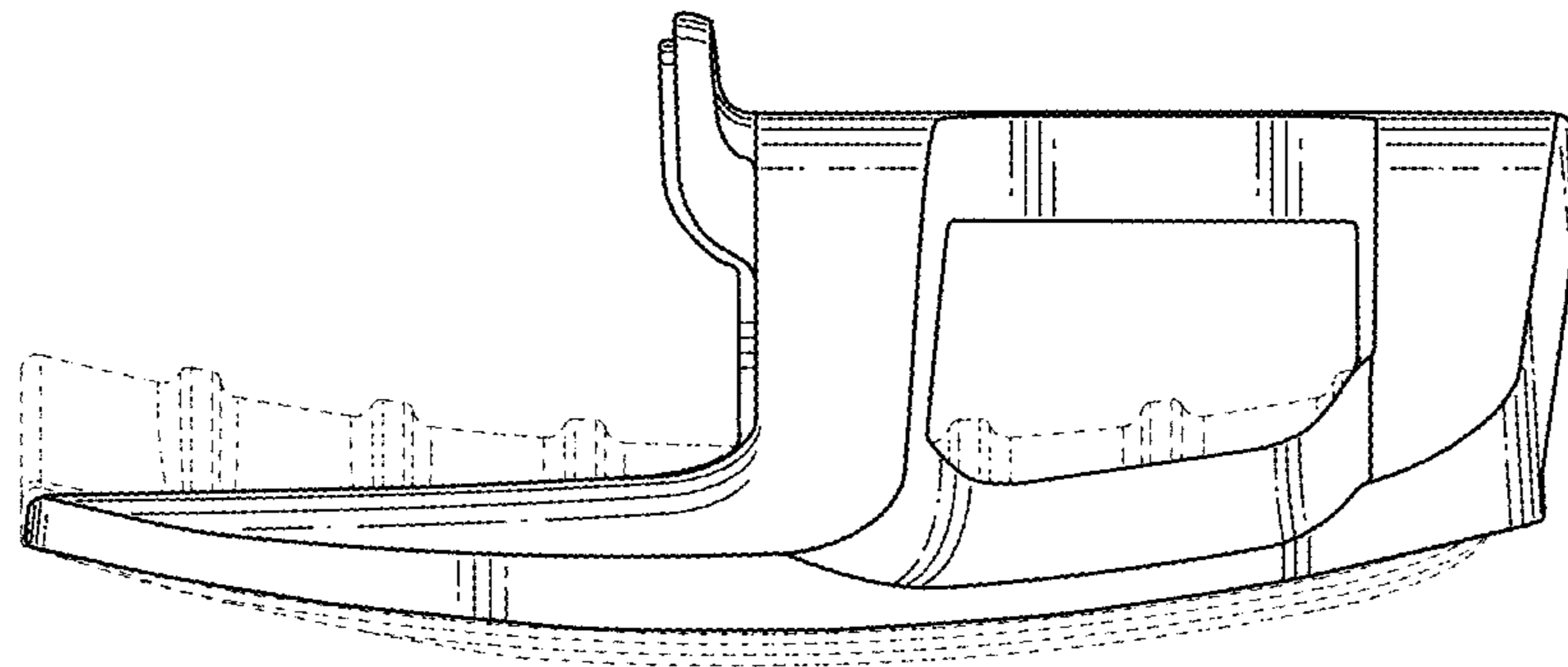


FIG. 4

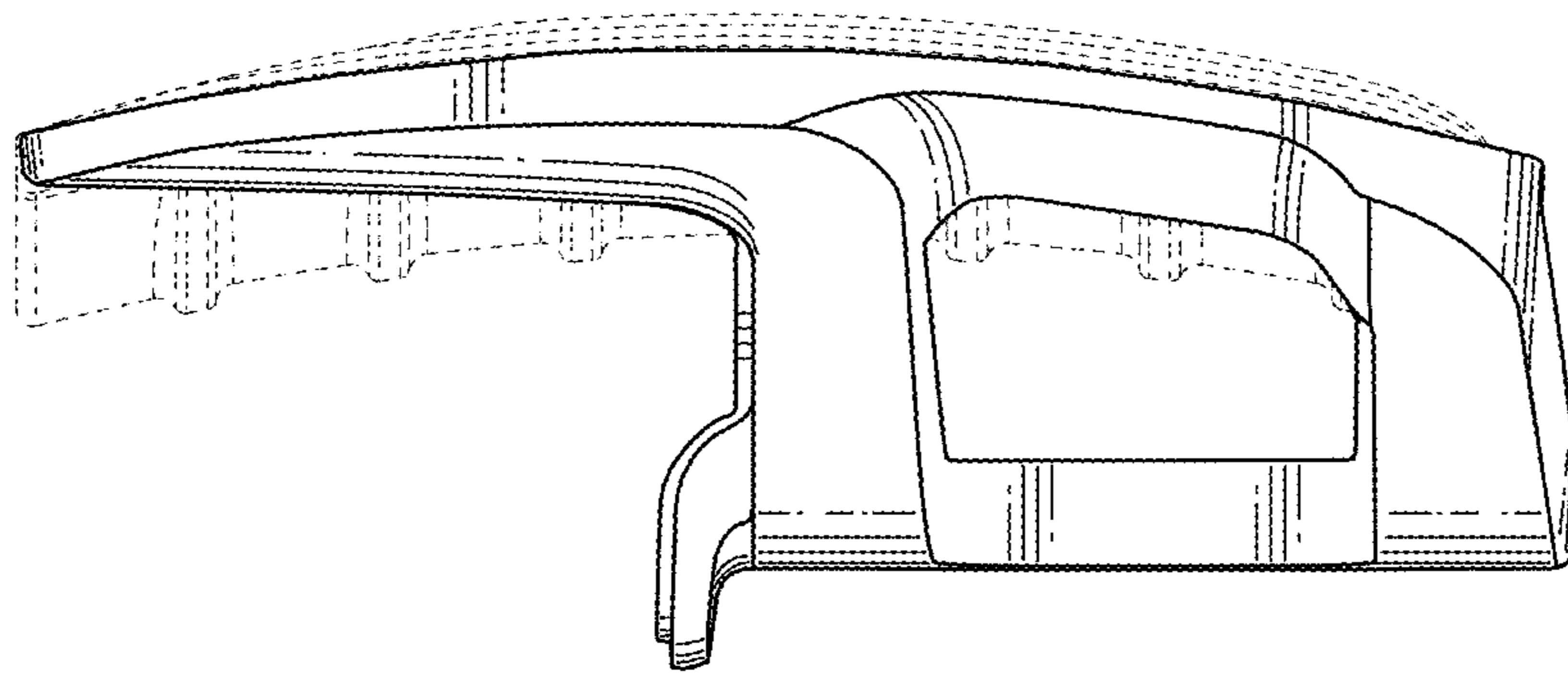


FIG. 5

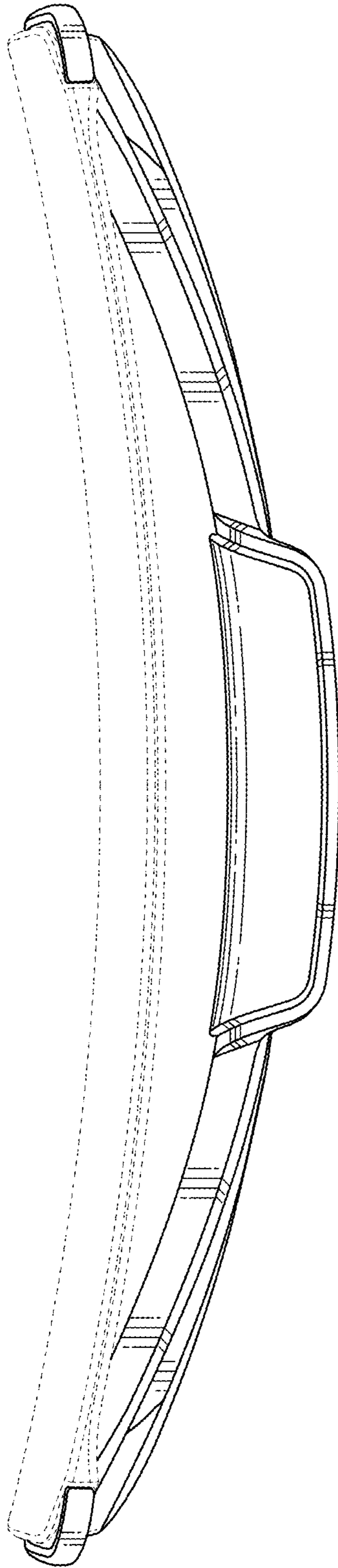


FIG. 6

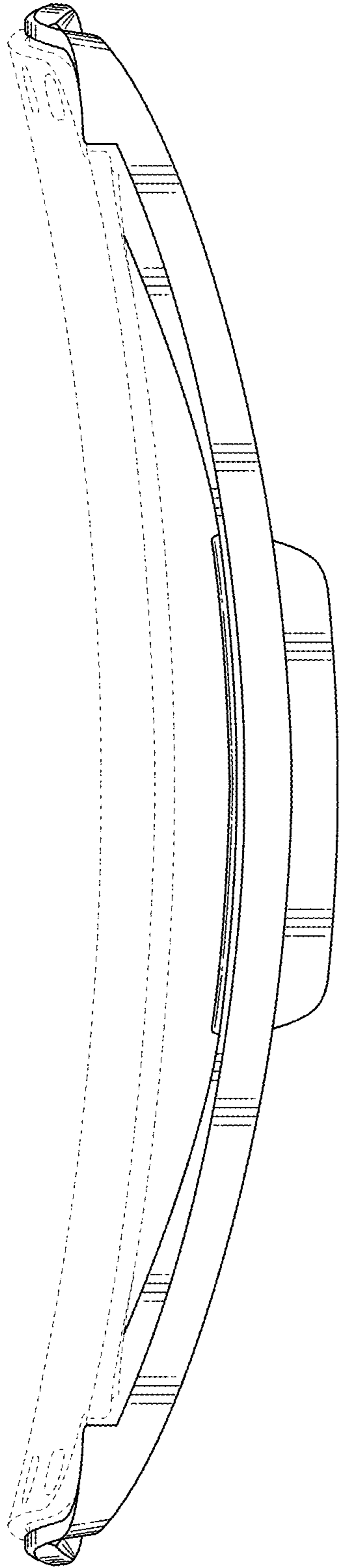


FIG. 7

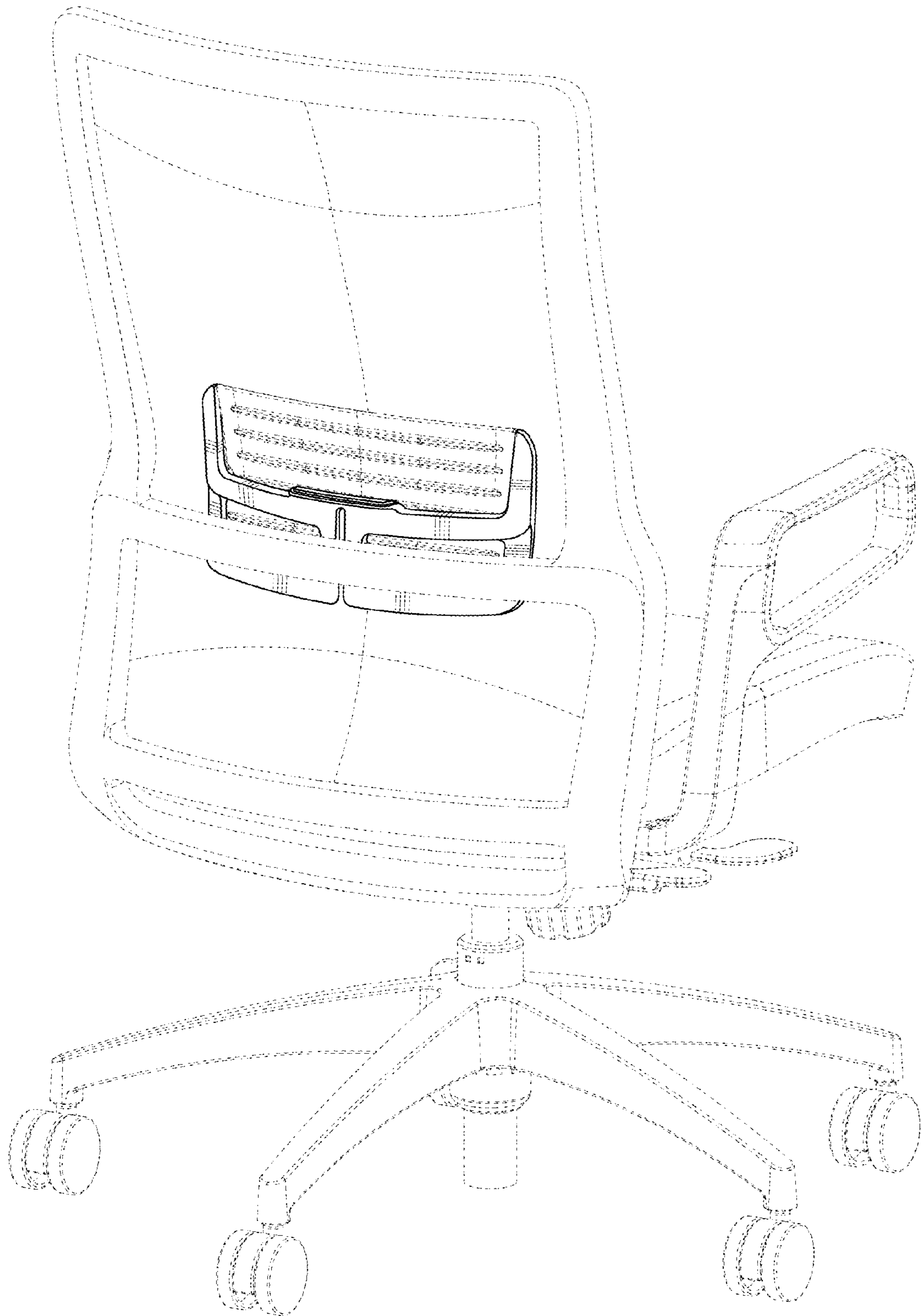


FIG. 8