



US00D799876S

(12) **United States Design Patent**
Pan

(10) **Patent No.:** **US D799,876 S**

(45) **Date of Patent:** **** Oct. 17, 2017**

- (54) **BACKREST FOR A CHAIR**
- (71) Applicant: **Oasyschair Co., Ltd.**, Tainan (TW)
- (72) Inventor: **Toung-Chun Pan**, Tainan (TW)
- (73) Assignee: **Oasyschair Co., Ltd.**, Tainan (TW)
- (**) Term: **15 Years**
- (21) Appl. No.: **29/556,449**
- (22) Filed: **Mar. 1, 2016**
- (51) **LOC (10) Cl.** **06-01**
- (52) **U.S. Cl.**
USPC **D6/716.4; D6/366**
- (58) **Field of Classification Search**
USPC D6/334, 335, 336, 364, 365, 366, 374,
D6/716, 716.4
CPC A47C 7/004; A47C 7/022; A47C 7/18;
A47C 7/24; A47C 7/40; A47C 7/46
See application file for complete search history.

- D597,329 S * 8/2009 Tanaka D6/366
- D601,372 S * 10/2009 Kim D6/716.4
- D627,983 S * 11/2010 Wakasugi D6/366
- 7,837,272 B2 * 11/2010 Masunaga A47C 7/40
297/452.18
- D646,093 S * 10/2011 Collinson D6/716.4
- D661,117 S * 6/2012 Tanaka D6/366
- 9,332,851 B2 * 5/2016 Machael A47C 7/46

* cited by examiner

Primary Examiner — Mimoso De

(74) *Attorney, Agent, or Firm* — Alan D. Kamrath;
Kamrath IP Lawfirm, P.A.

(57) **CLAIM**

The ornamental design for backrest for a chair, as shown and described.

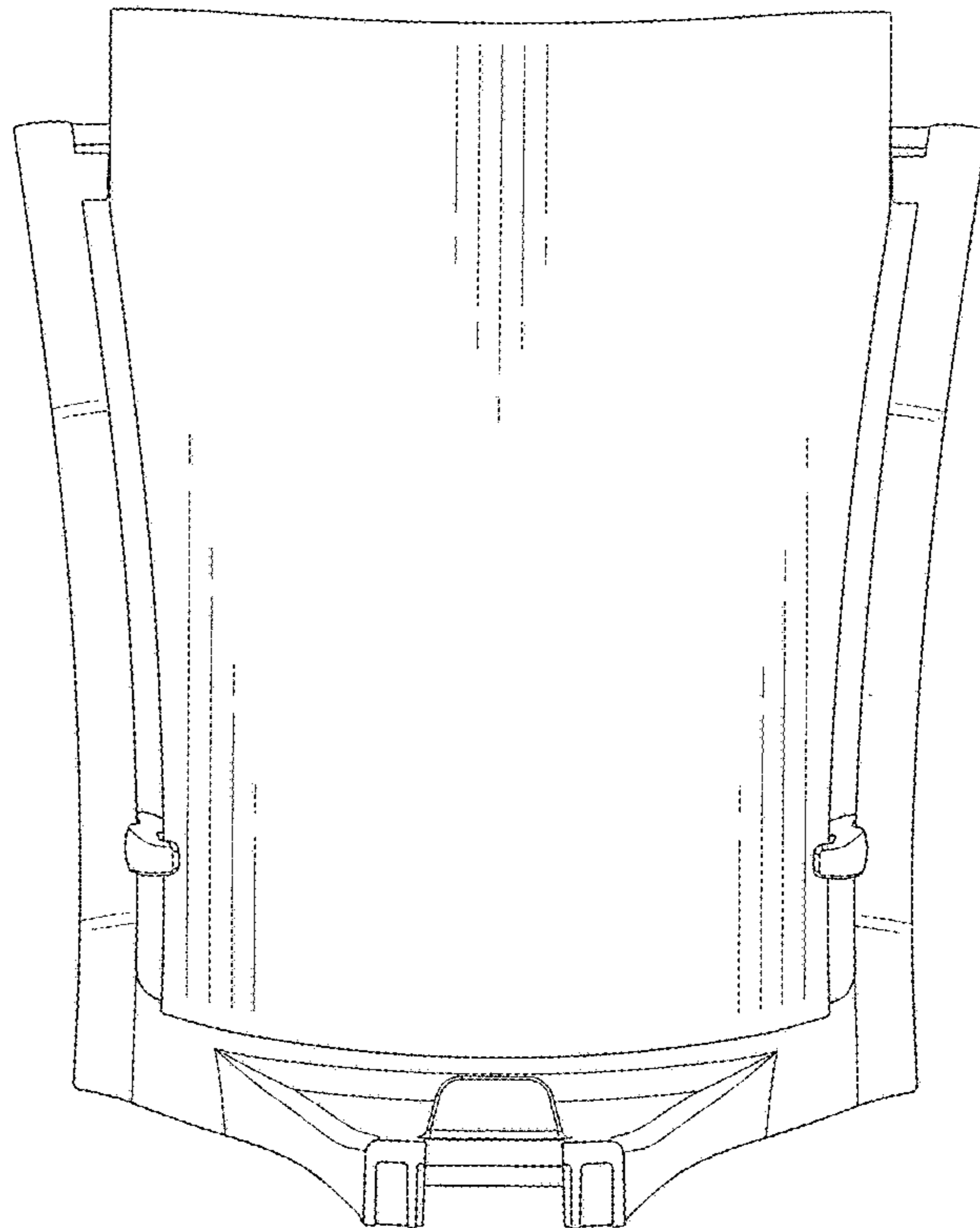
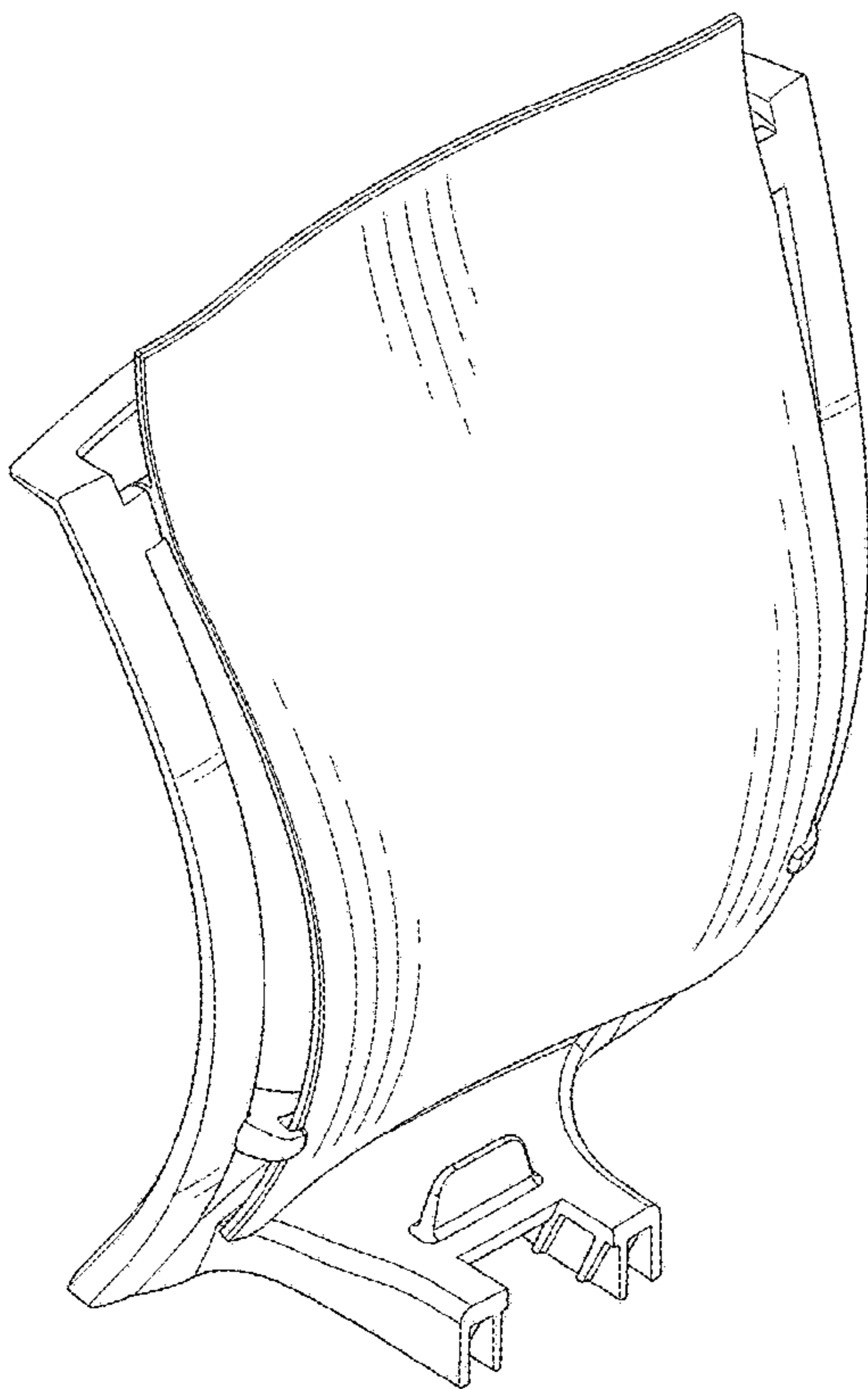
DESCRIPTION

FIG. 1 is a perspective view of backrest for a chair showing my new design;
FIG. 2 is a front side elevational view thereof;
FIG. 3 is a rear side elevational view thereof;
FIG. 4 is a left side elevational view thereof, with the right side elevational view being a mirror image thereof; and,
FIG. 5 is a top plan view thereof; and with no ornamentation being claimed for the bottom plan thereof.

1 Claim, 5 Drawing Sheets

(56) **References Cited**
U.S. PATENT DOCUMENTS

- D482,218 S * 11/2003 Lin D6/716
- D543,369 S * 5/2007 Hara D6/366



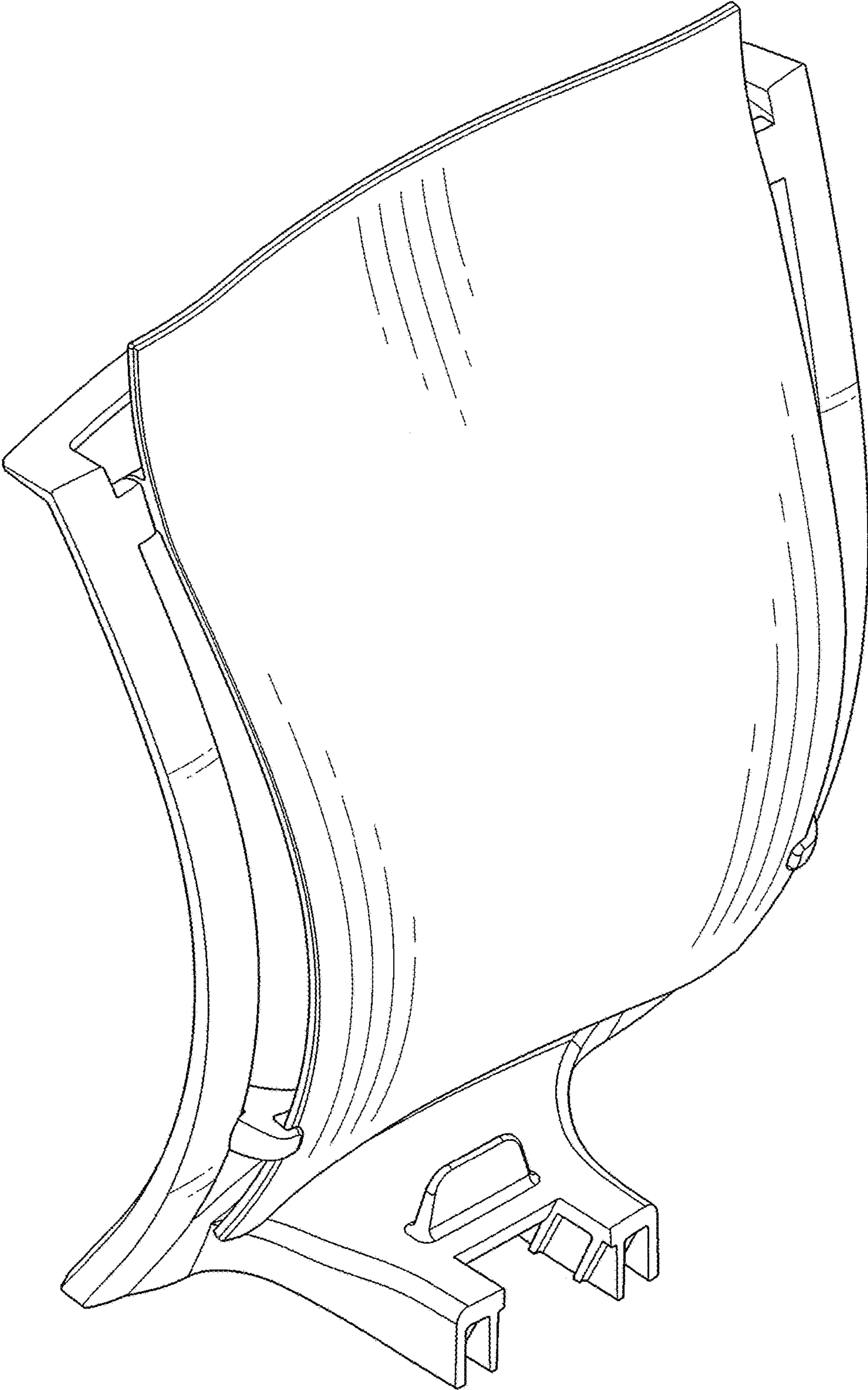


FIG. 1

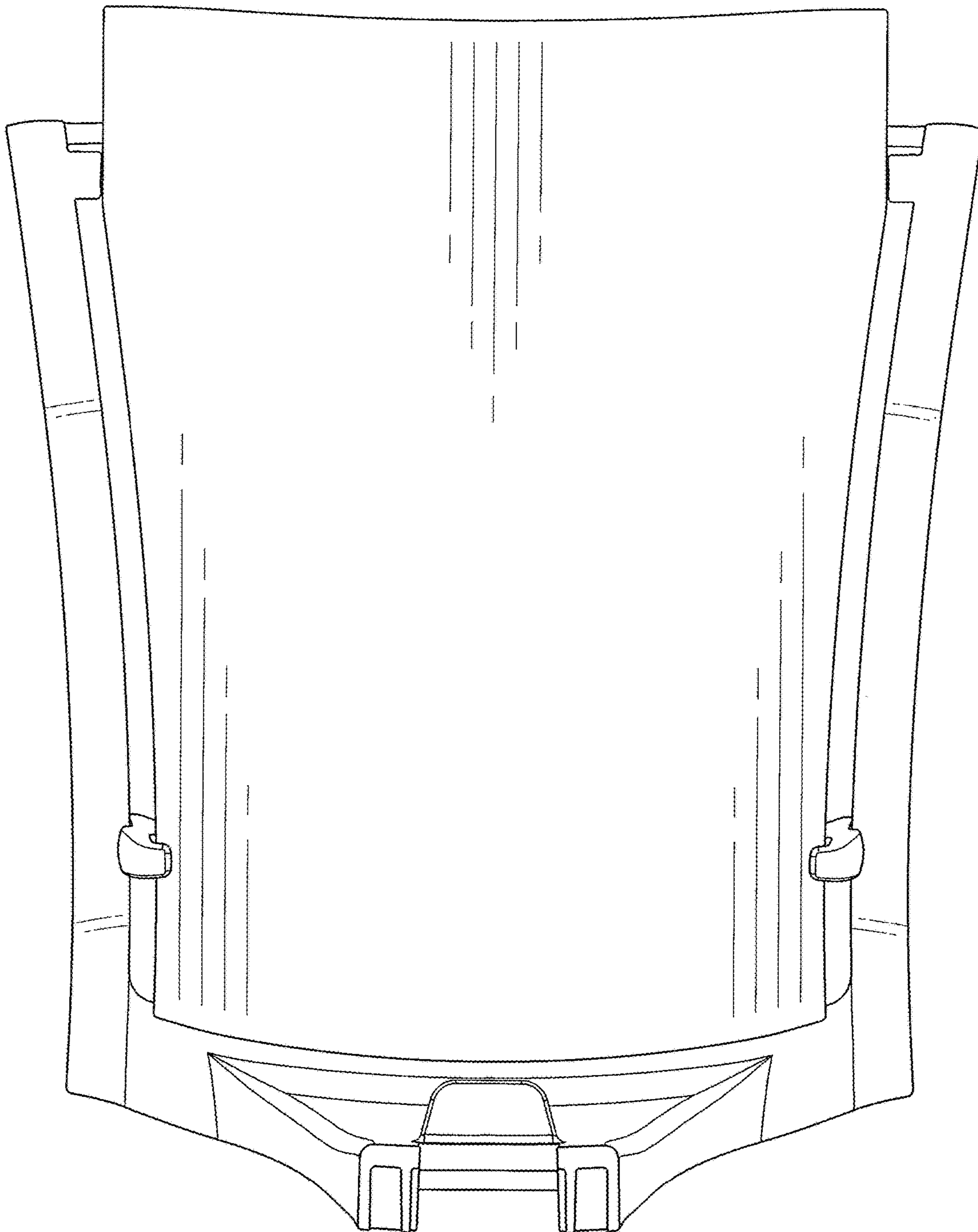


FIG. 2

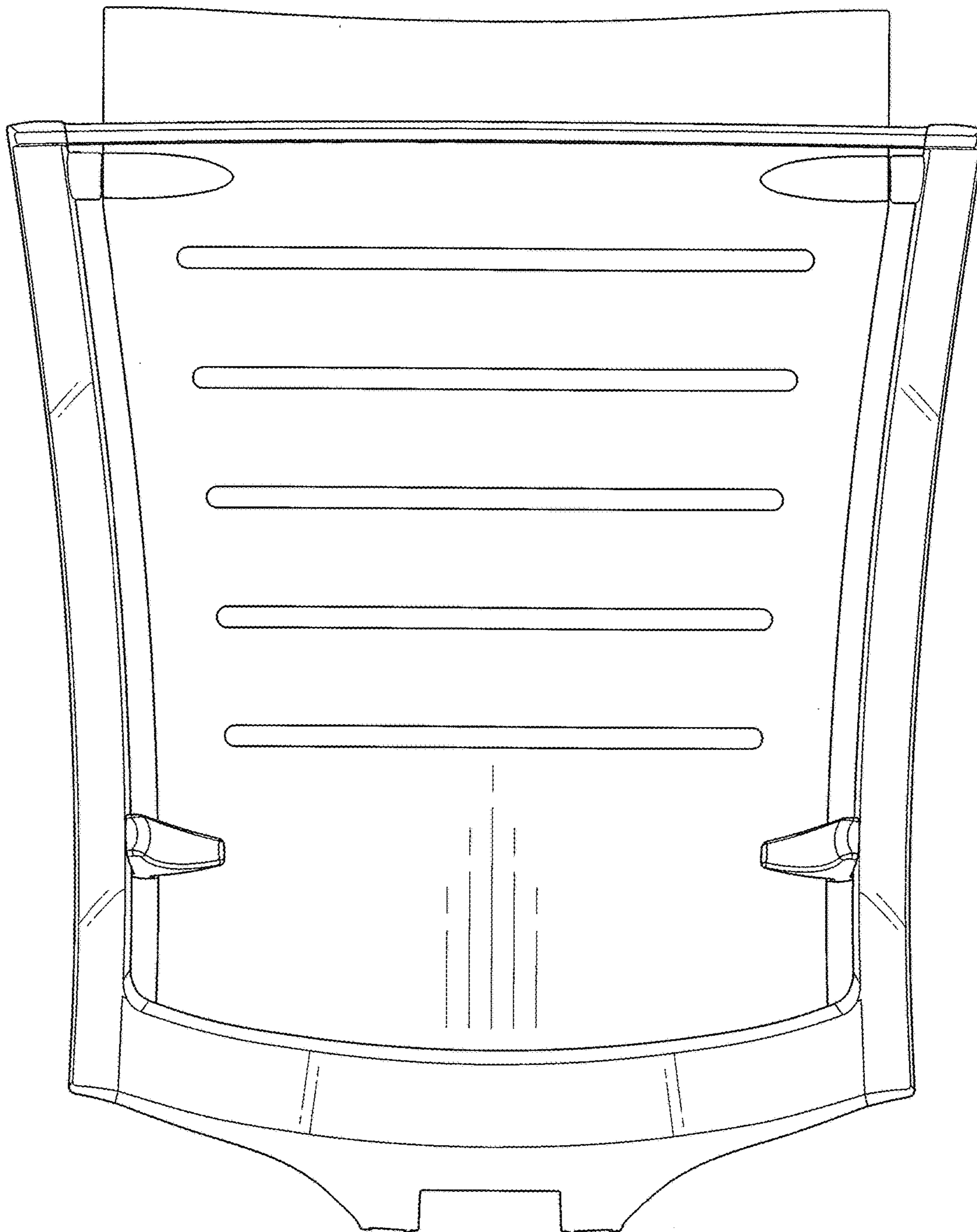


FIG. 3

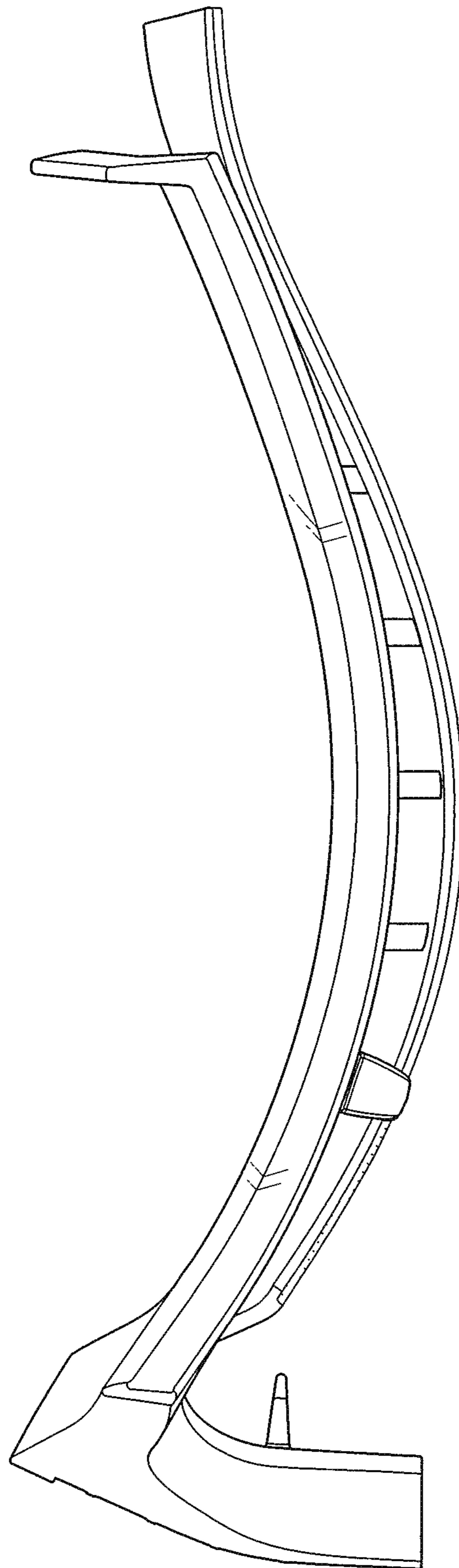


FIG. 4

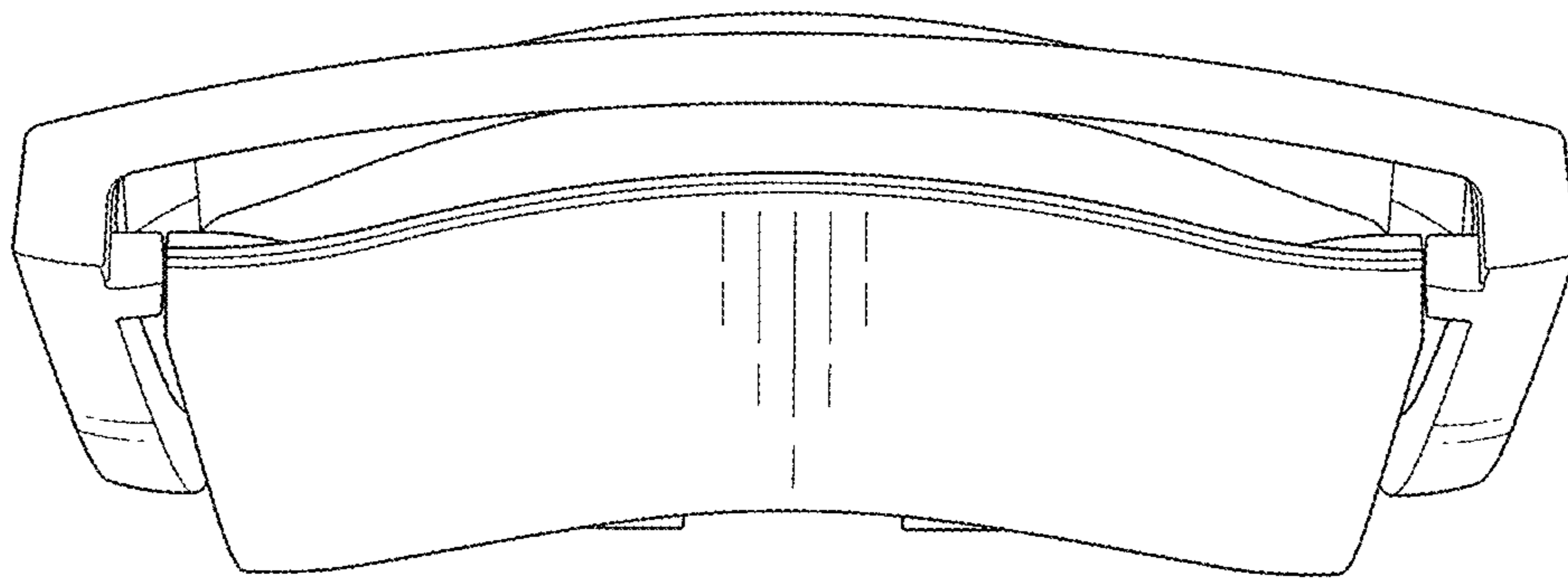


FIG. 5