



US00D799875S

(12) **United States Design Patent**
Siebert et al.

(10) **Patent No.:** **US D799,875 S**
(45) **Date of Patent:** **** Oct. 17, 2017**

(54) **CHAIR**

(71) Applicant: **Brunswick Corporation**, Lake Forest, IL (US)

(72) Inventors: **Paul Brian Siebert**, Chicago, IL (US);
Jess Allen Sorel, Oakland, CA (US)

(73) Assignee: **Brunswick Corporation**, Lake Forest, IL (US)

(**) Term: **15 Years**

(21) Appl. No.: **29/536,608**

(22) Filed: **Aug. 18, 2015**

(51) **LOC (10) Cl.** **06-01**

(52) **U.S. Cl.**
USPC **D6/716.1; D6/349**

(58) **Field of Classification Search**
USPC D6/334, 349–355, 363, 360, 368, 374,
D6/403, 405, 601, 685, 688.17, 691, 708,
D6/708.15–708.25, 709–709.119
CPC A47C 9/00–9/105; A47C 7/00–7/02; A47C
16/00–16/04; A47B 7/00–7/02; A47B
3/00; A47B 3/02; A47B 3/04; A47B 3/12
See application file for complete search history.

(56) **References Cited**

U.S. PATENT DOCUMENTS

4,773,337 A	9/1988	Ball	
4,986,195 A	1/1991	Diffrient	
D314,878 S *	2/1991	Hart	D6/691.3
5,121,697 A	6/1992	Baum et al.	
D327,796 S *	7/1992	Ryaa	D6/337

(Continued)

OTHER PUBLICATIONS

Kinema Active Char, <http://www.kinemaproducts.com/index.html>,
website visited Aug. 18, 2015.

(Continued)

Primary Examiner — Vy Koenig

(74) *Attorney, Agent, or Firm* — Andrus Intellectual
Property Law, LLP

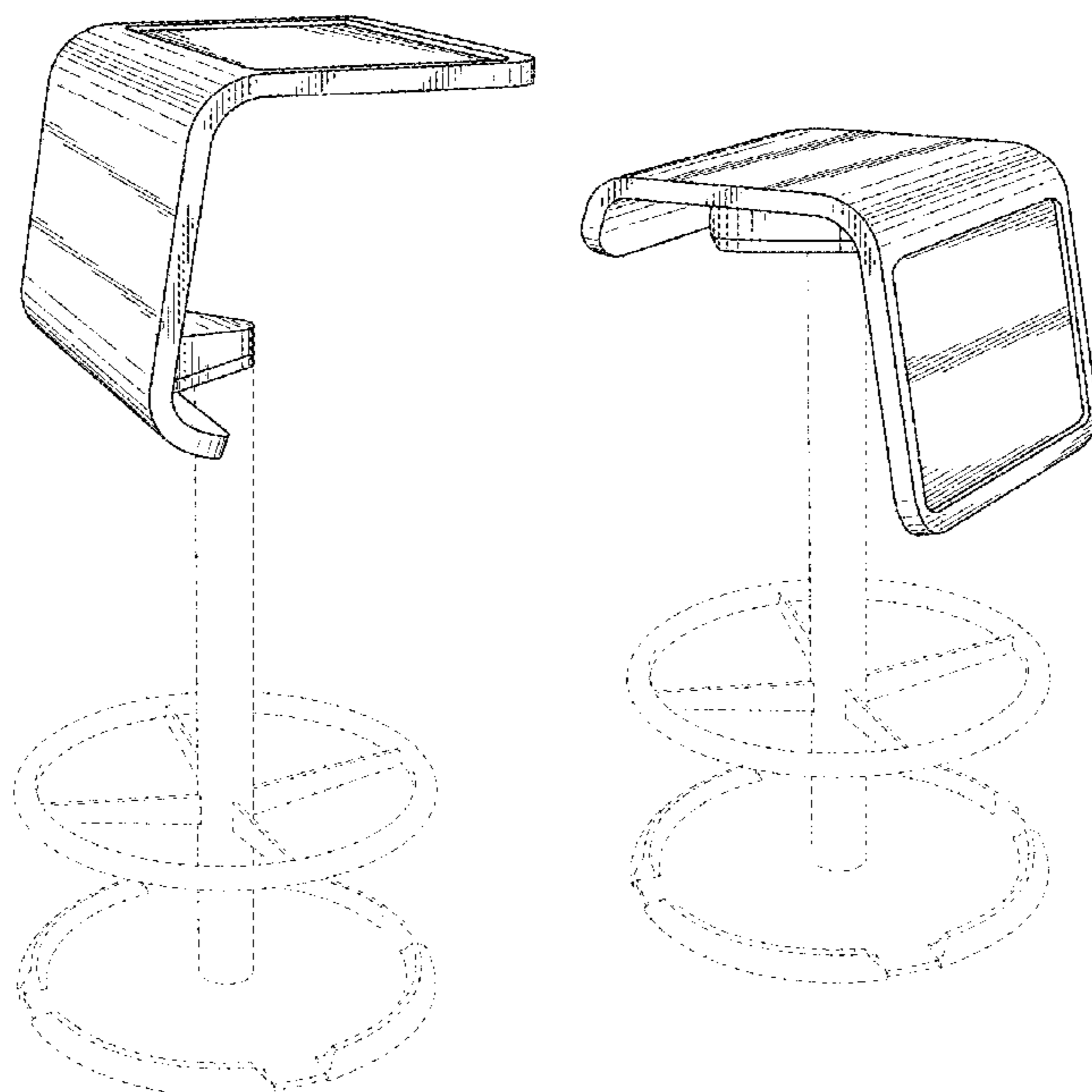
(57) **CLAIM**

The ornamental design for a chair, as shown and described.

DESCRIPTION

FIG. 1 is a perspective view of a chair according to the present disclosure, shown in a raised position;
FIG. 2 is a right side view of the chair in the raised position;
FIG. 3 is a left side view of the chair in the raised position;
FIG. 4 is a front elevation view of the chair in the raised position;
FIG. 5 is a rear elevation view of the chair in the raised position;
FIG. 6 is a top view of the chair in the raised position;
FIG. 7 is a bottom view of the chair in the raised position;
FIG. 8 is perspective view of the chair shown in a lowered position;
FIG. 9 is a right side view of the chair in the lowered position;
FIG. 10 is a left side view of the chair in the lowered position;
FIG. 11 is a front elevation view of the chair in the lowered position;
FIG. 12 is a rear elevation view of the chair in the lowered position;
FIG. 13 is a top view of the chair in the lowered position;
and,
FIG. 14 is a bottom view of the chair in the lowered position.
The broken lines represent portions of the chair that form no part of the claimed design.

1 Claim, 8 Drawing Sheets



(56)

References Cited

U.S. PATENT DOCUMENTS

5,174,225	A	12/1992	Reise et al.	
5,354,027	A	10/1994	Cox	
D450,466	S	11/2001	Overthun et al.	
6,748,873	B2	6/2004	Brown, Sr.	
D503,572	S *	4/2005	Eldoy	D6/349
6,883,863	B2	4/2005	Binns	
D596,415	S *	7/2009	Wold	D6/349
D596,416	S *	7/2009	Wold	D6/349
7,891,677	B2	2/2011	Jenkins	
D644,456	S *	9/2011	Martin	D6/690
8,051,784	B2	11/2011	Hsu	
8,171,863	B2	5/2012	Nyenhuis et al.	
8,359,983	B2	1/2013	Williamson et al.	
8,573,688	B2	11/2013	Shackelford	
D705,556	S *	5/2014	Udagawa	D6/349
8,720,989	B2	5/2014	Jurcic et al.	
8,840,175	B2	9/2014	Short	
D720,161	S *	12/2014	Udagawa	D6/656.13
9,144,300	B2	9/2015	Coety	
D764,847	S *	8/2016	Strater	D6/707.19
2007/0063555	A1	3/2007	Ehud	
2007/0095257	A1	5/2007	Hernandez	
2015/0282623	A1 *	10/2015	Reddig	A47C 1/024 297/331

OTHER PUBLICATIONS

Steelcase Product Webpage "Leap Lounge Ergonomic Office Chair"
 (<http://www.steelcase.com/products/lounge-seating/leap-lounge-chair/>).

* cited by examiner

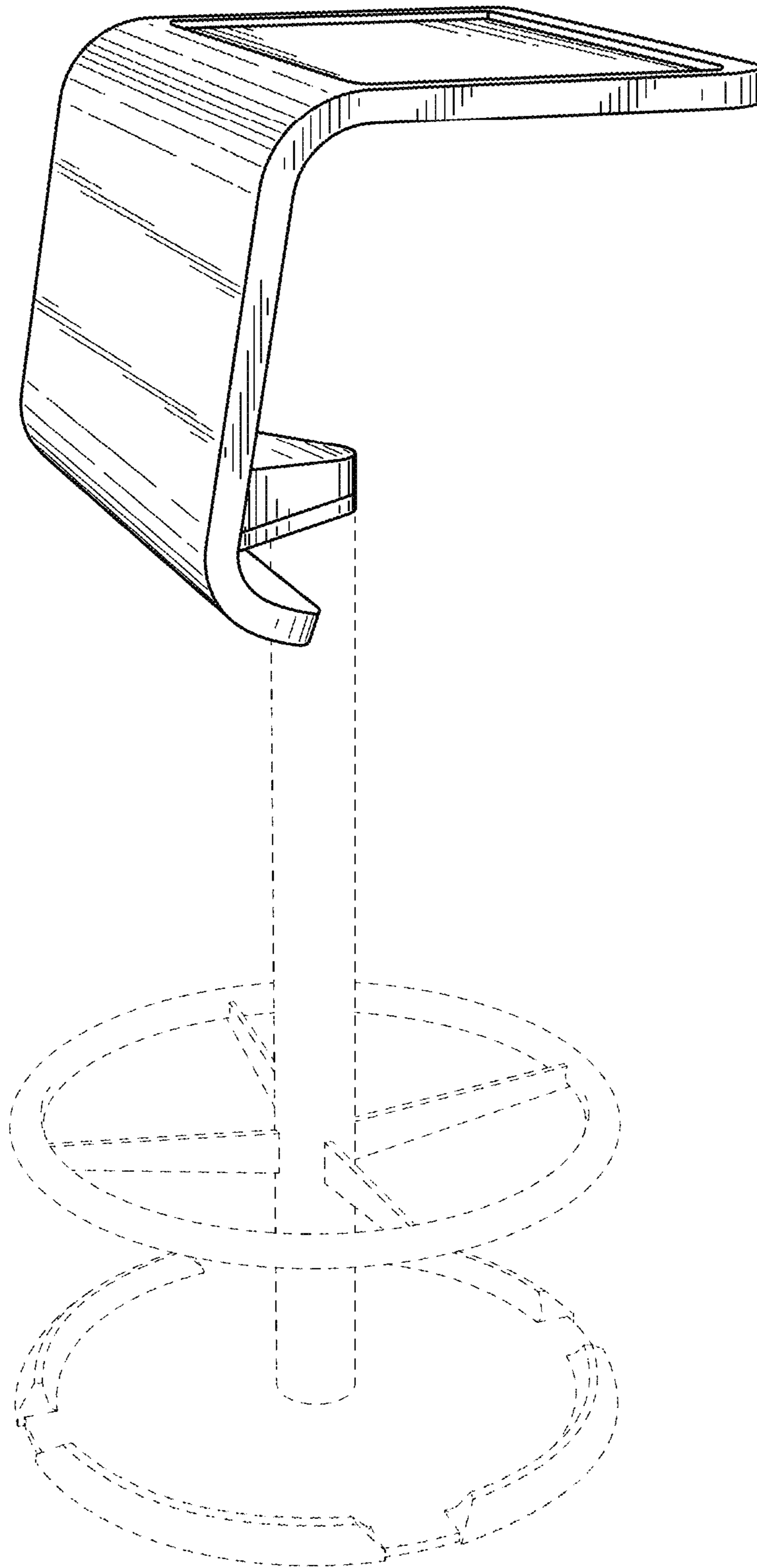


FIG. 1

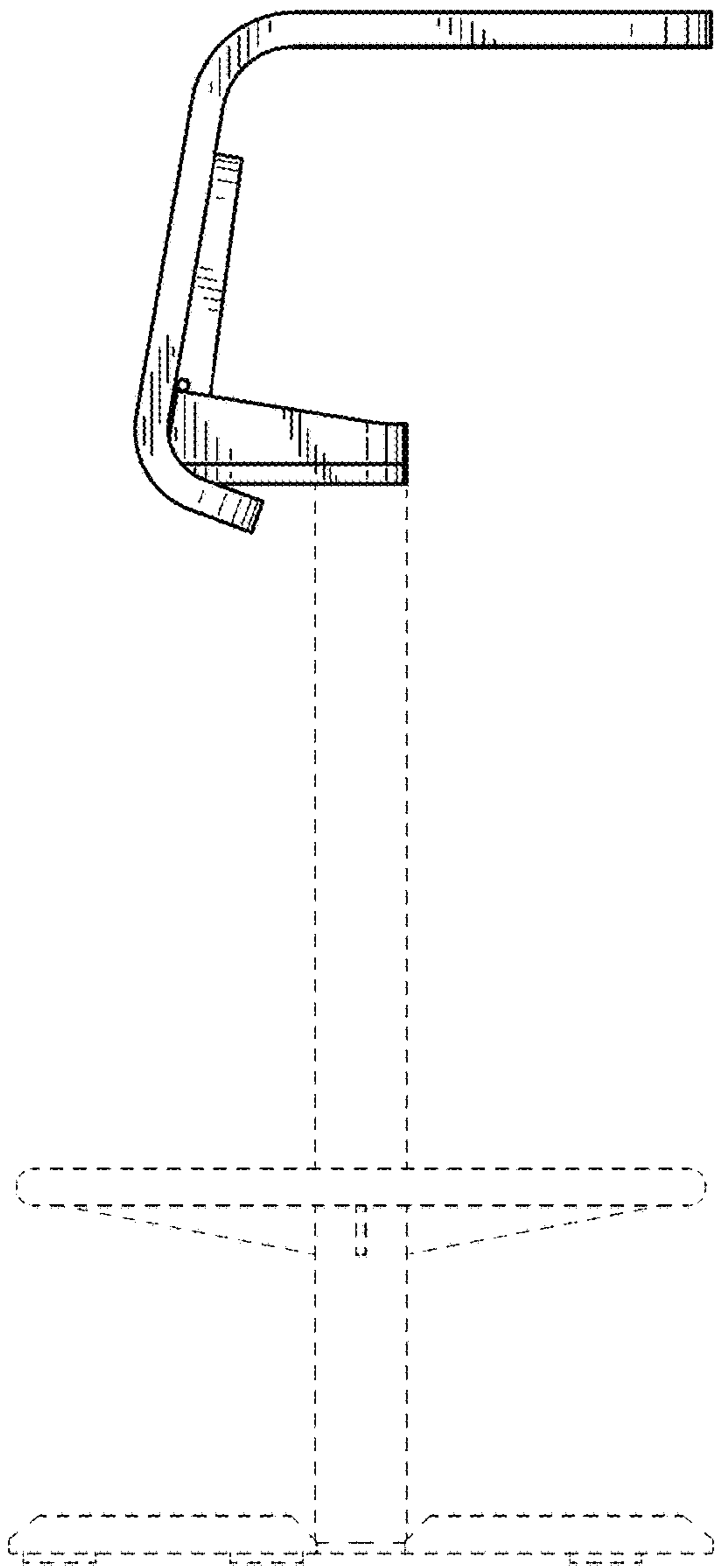


FIG. 2

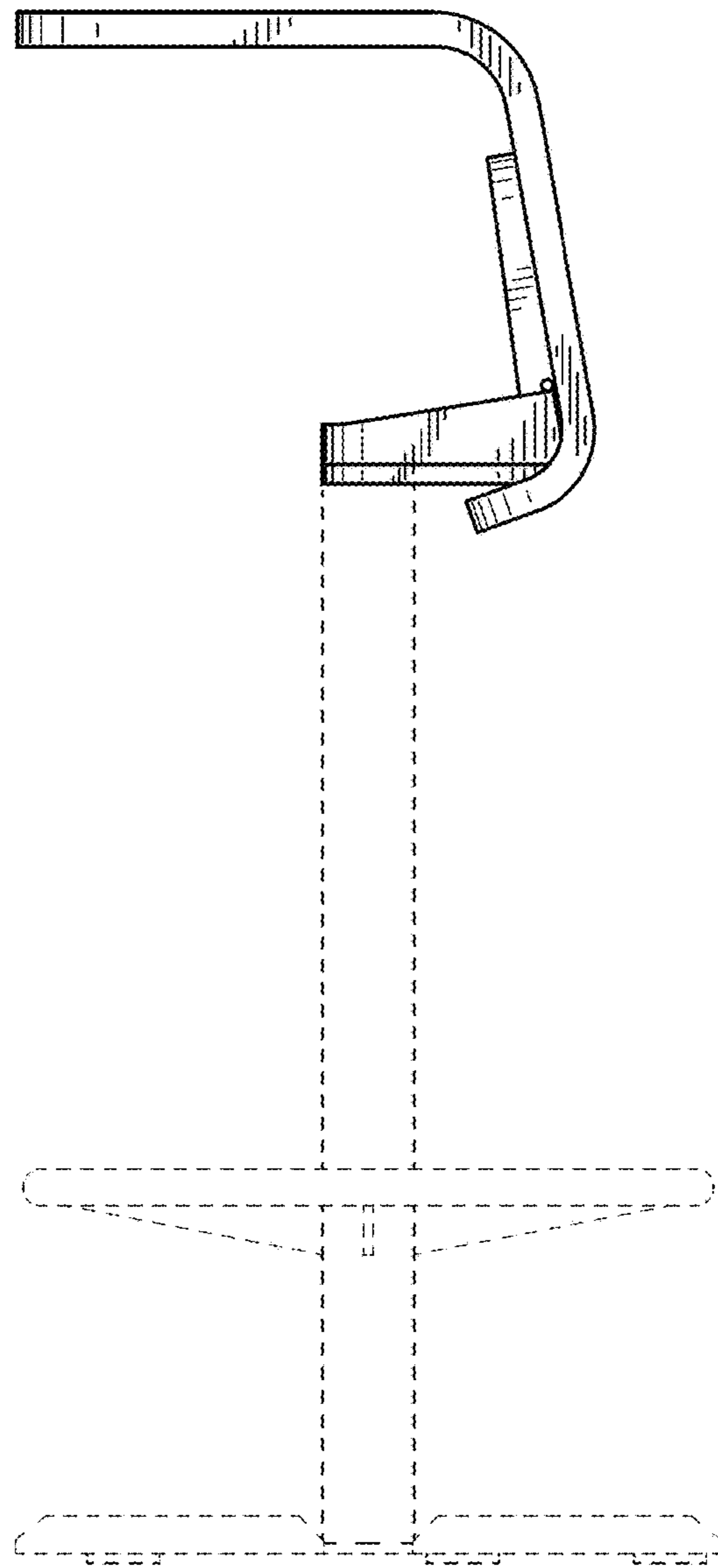


FIG. 3

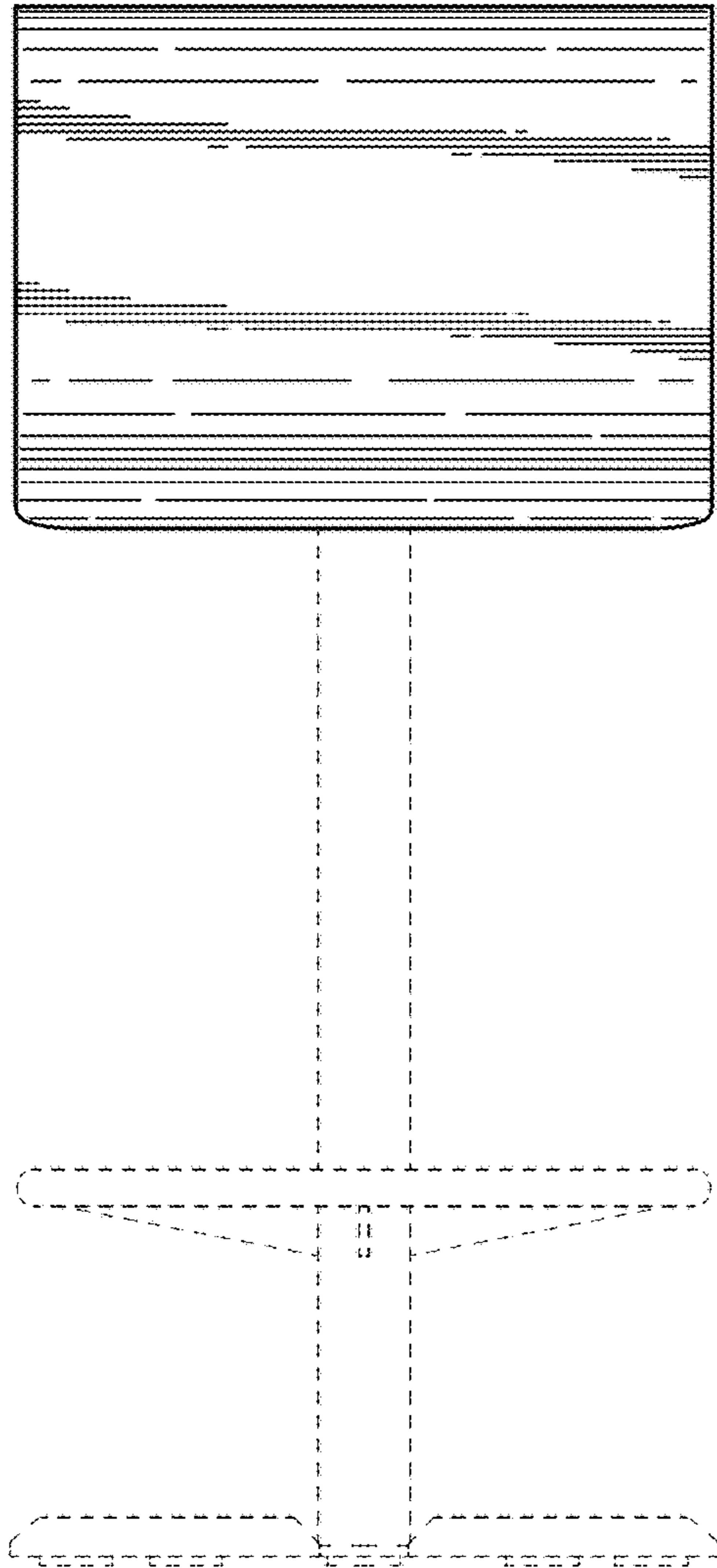


FIG. 4

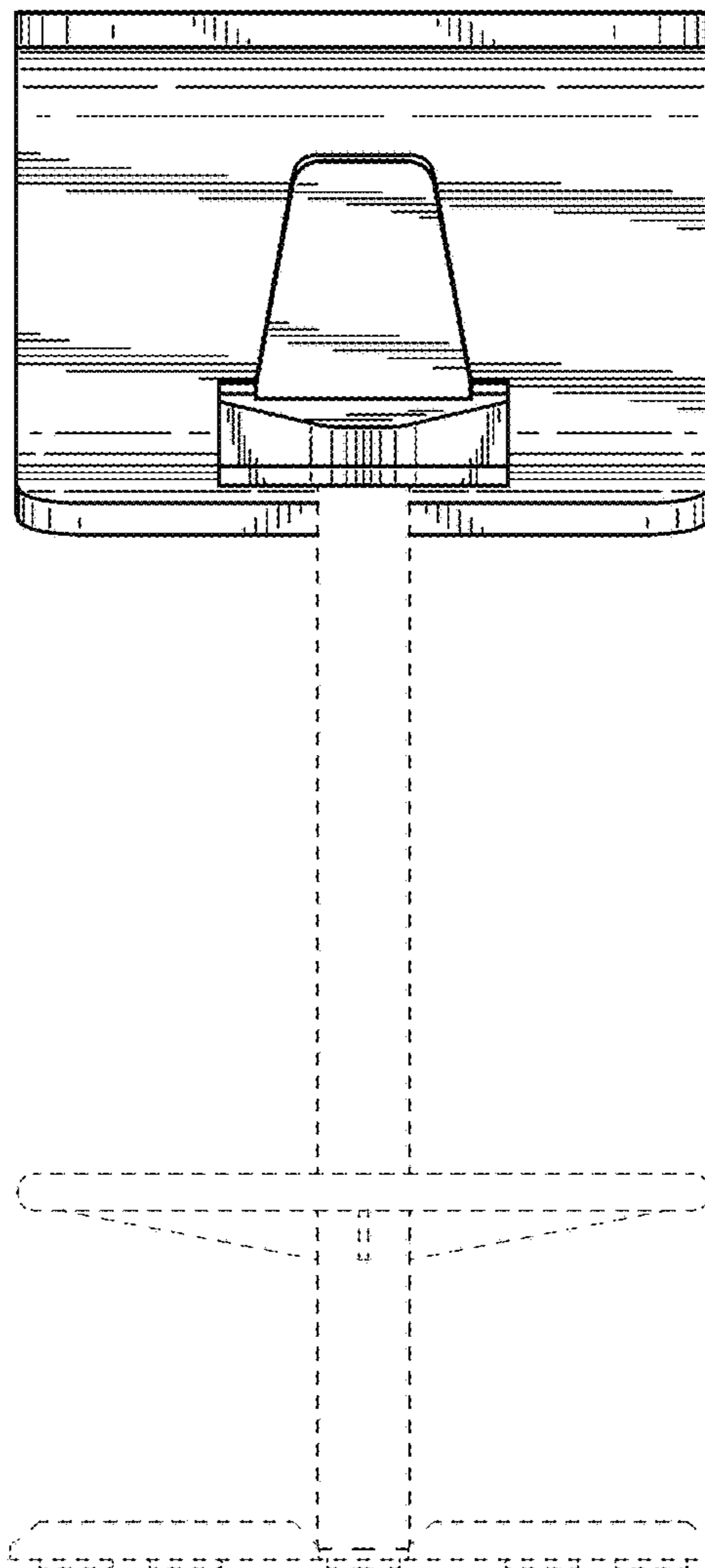


FIG. 5

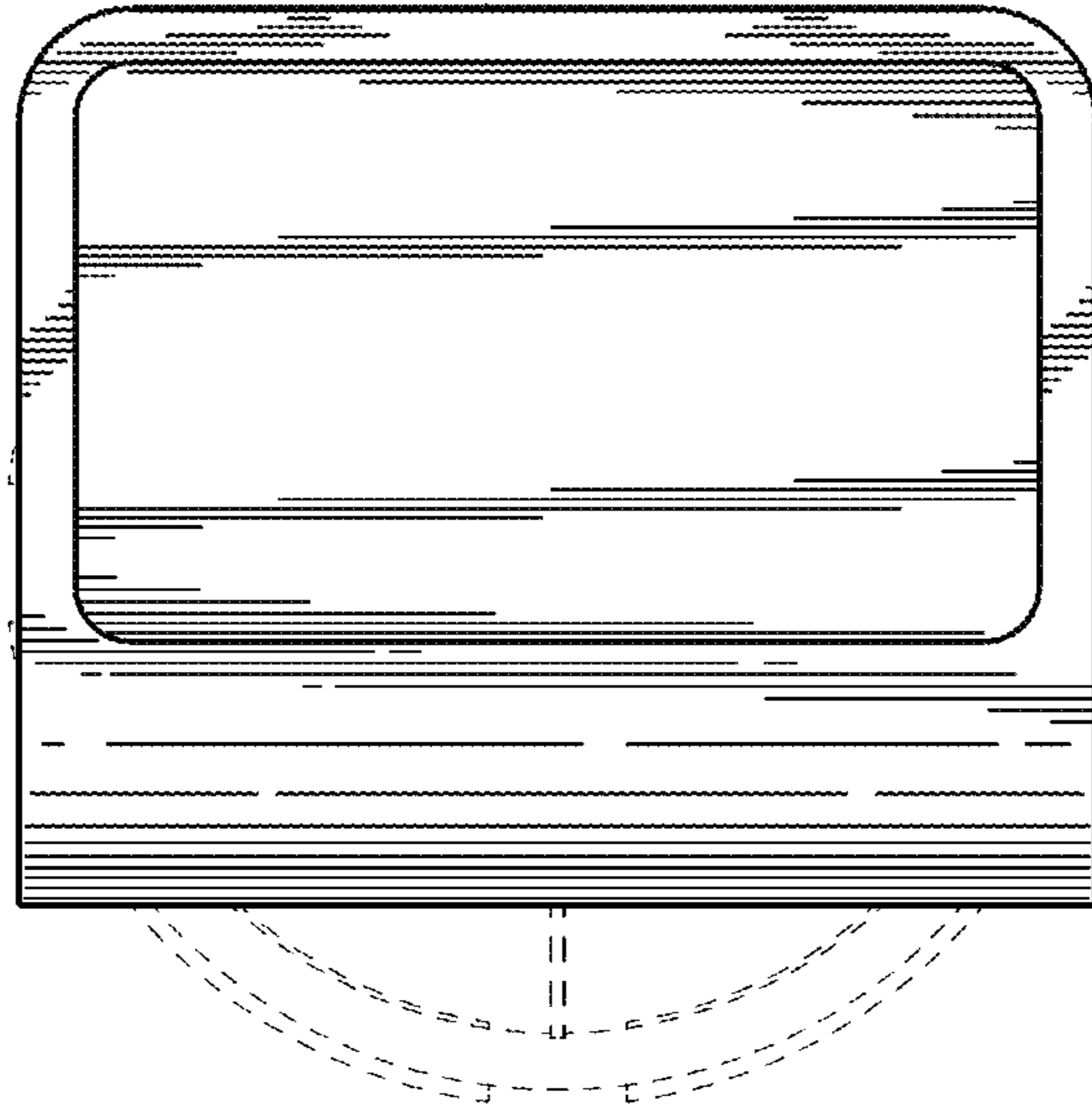


FIG. 6

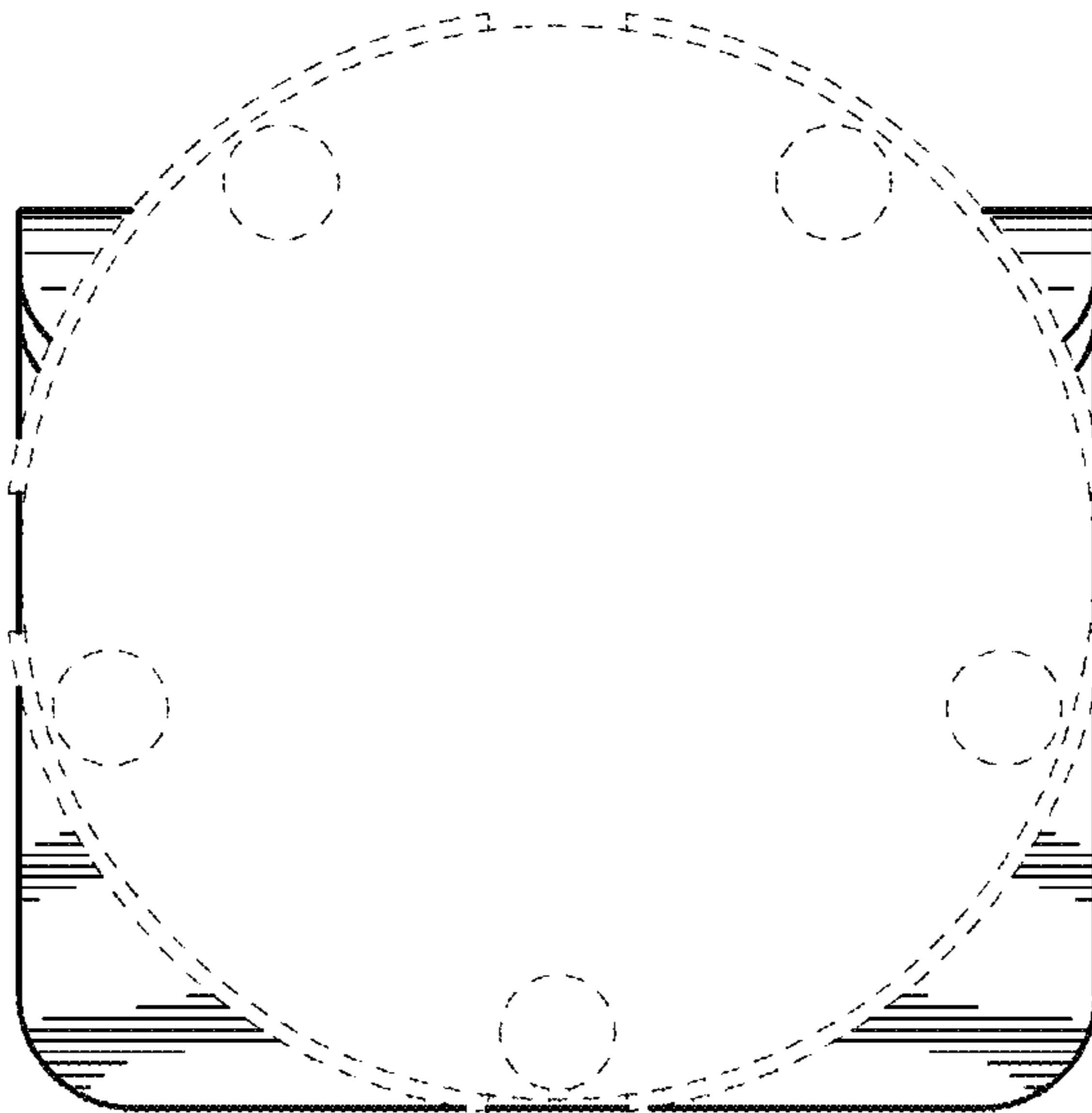


FIG. 7

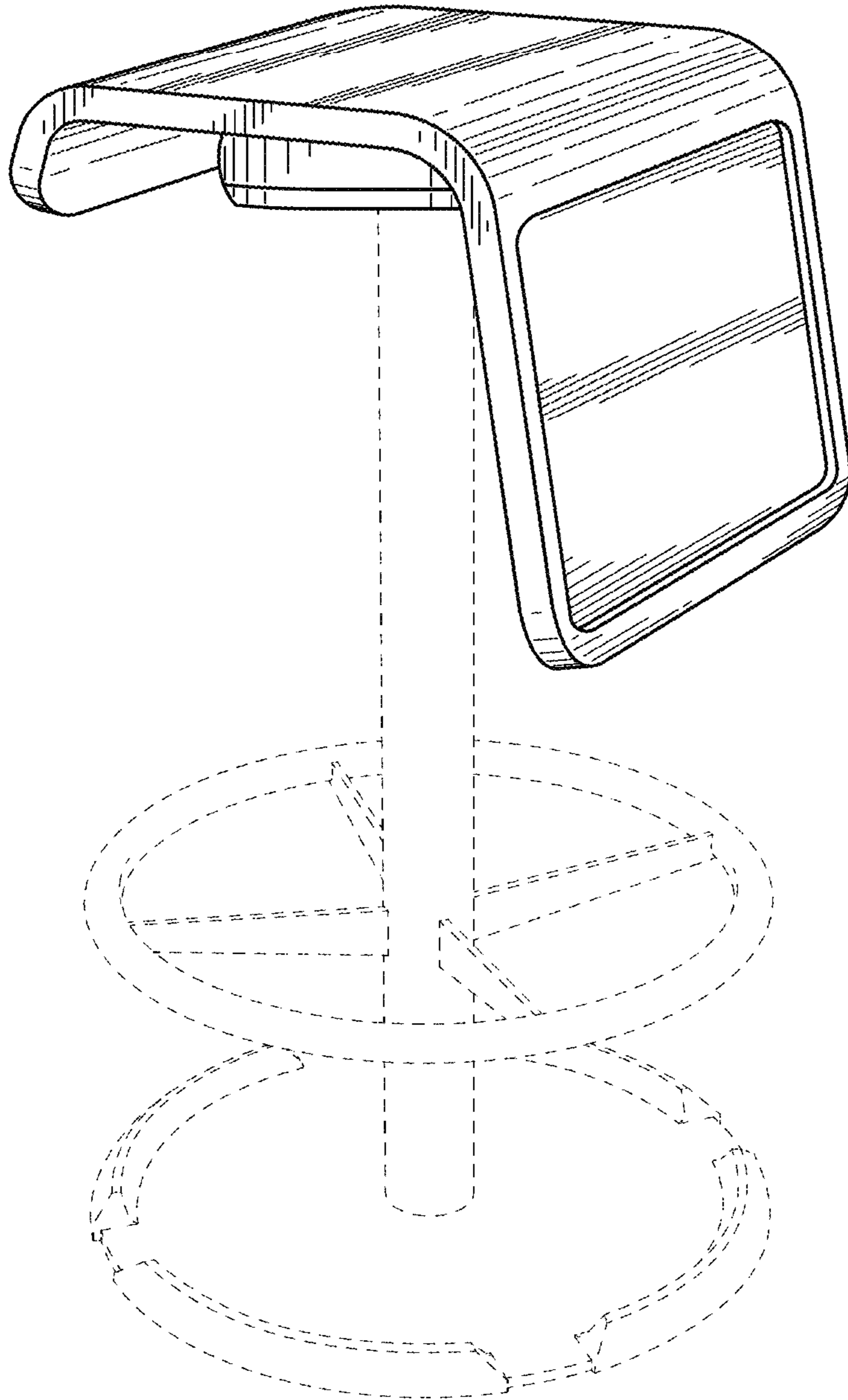


FIG. 8

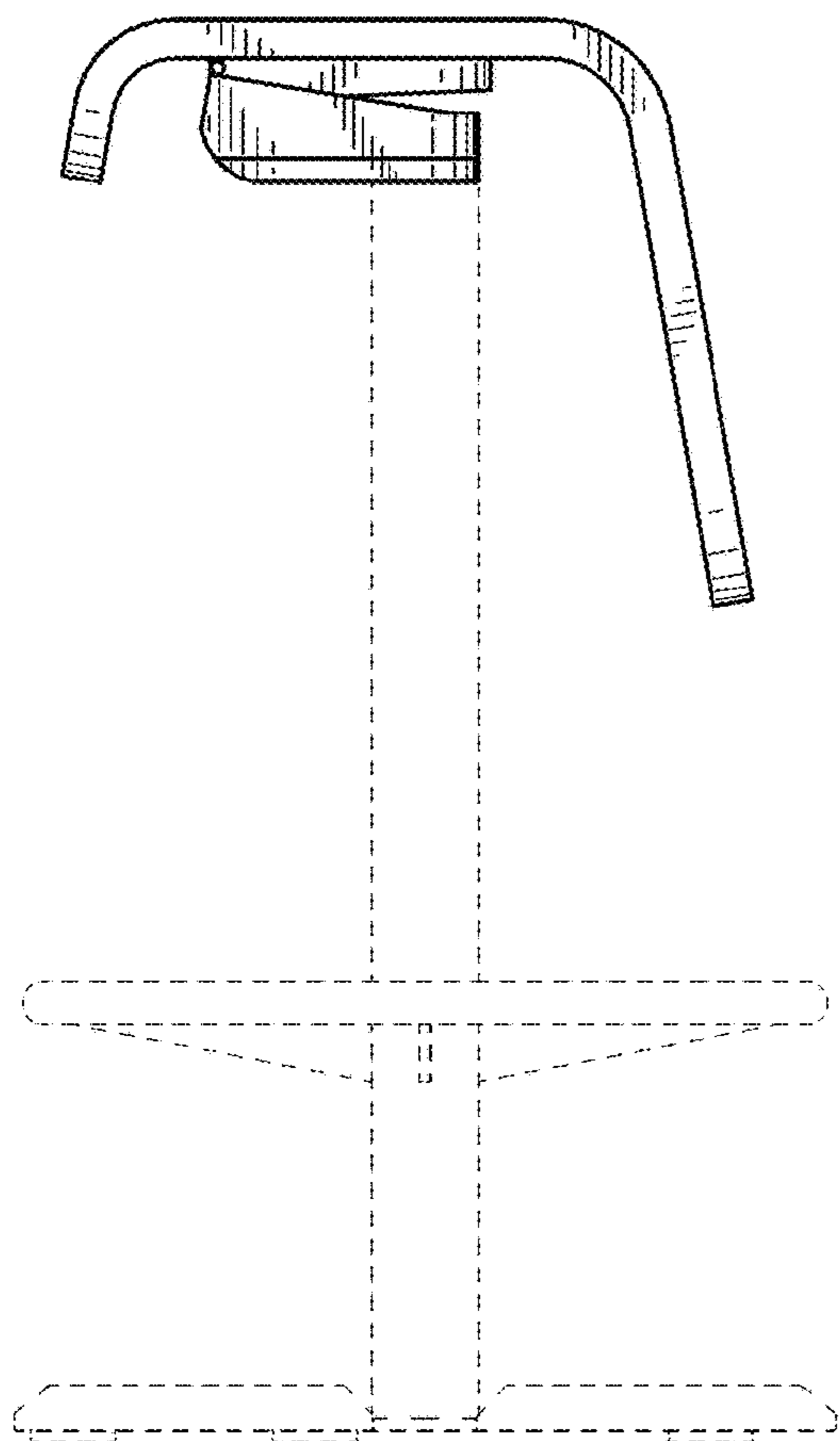


FIG. 9

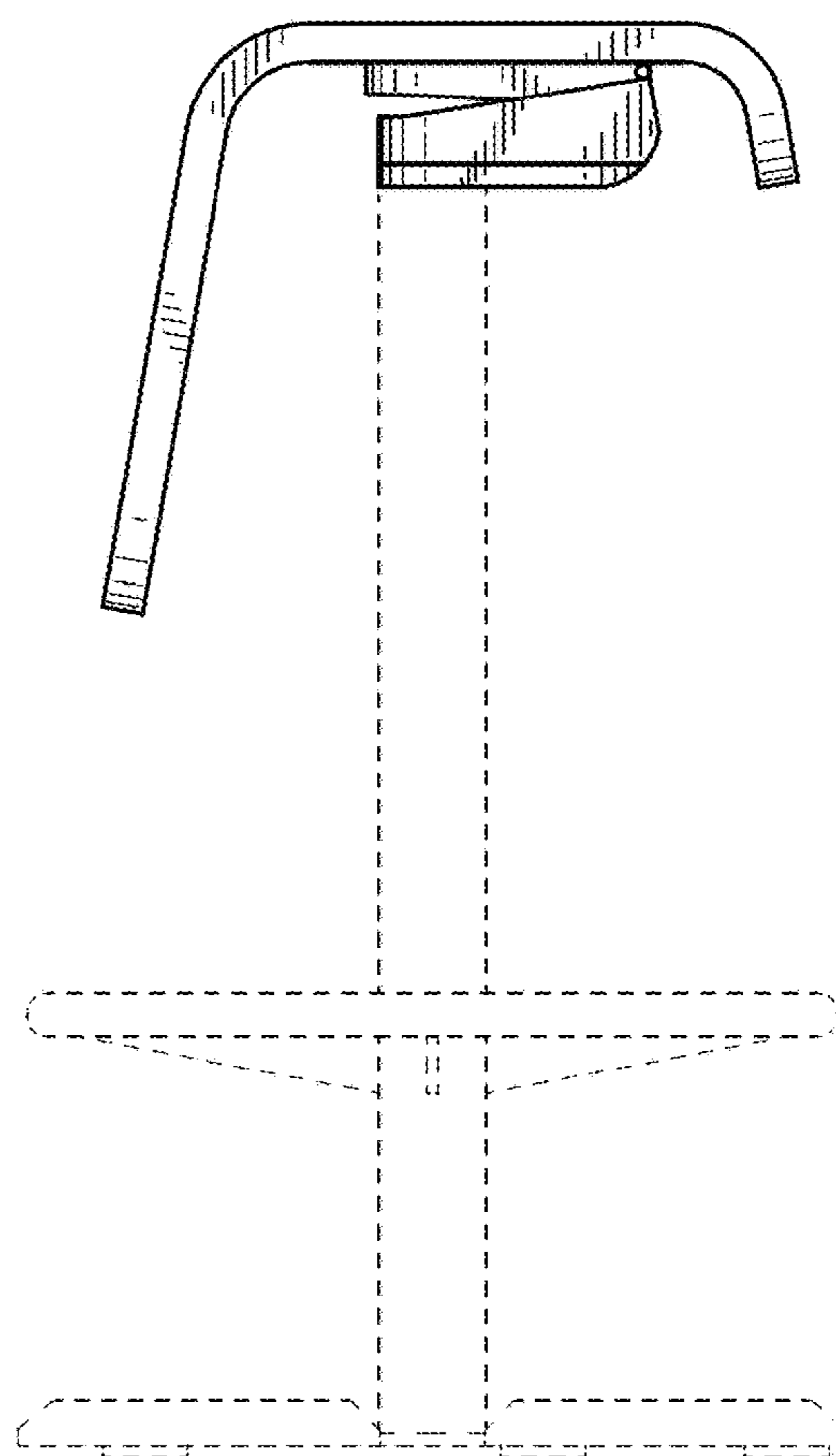


FIG. 10

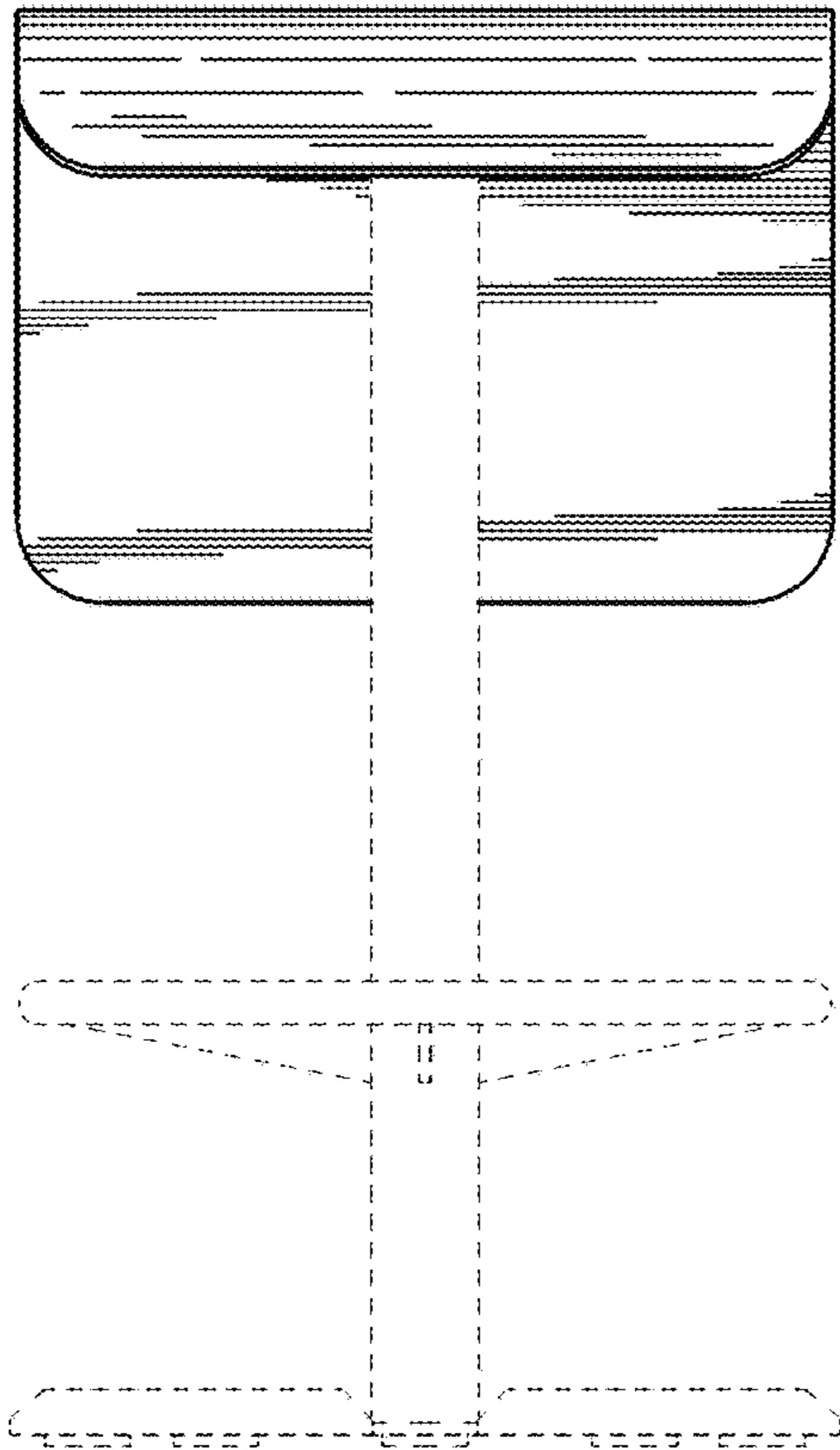


FIG. 11

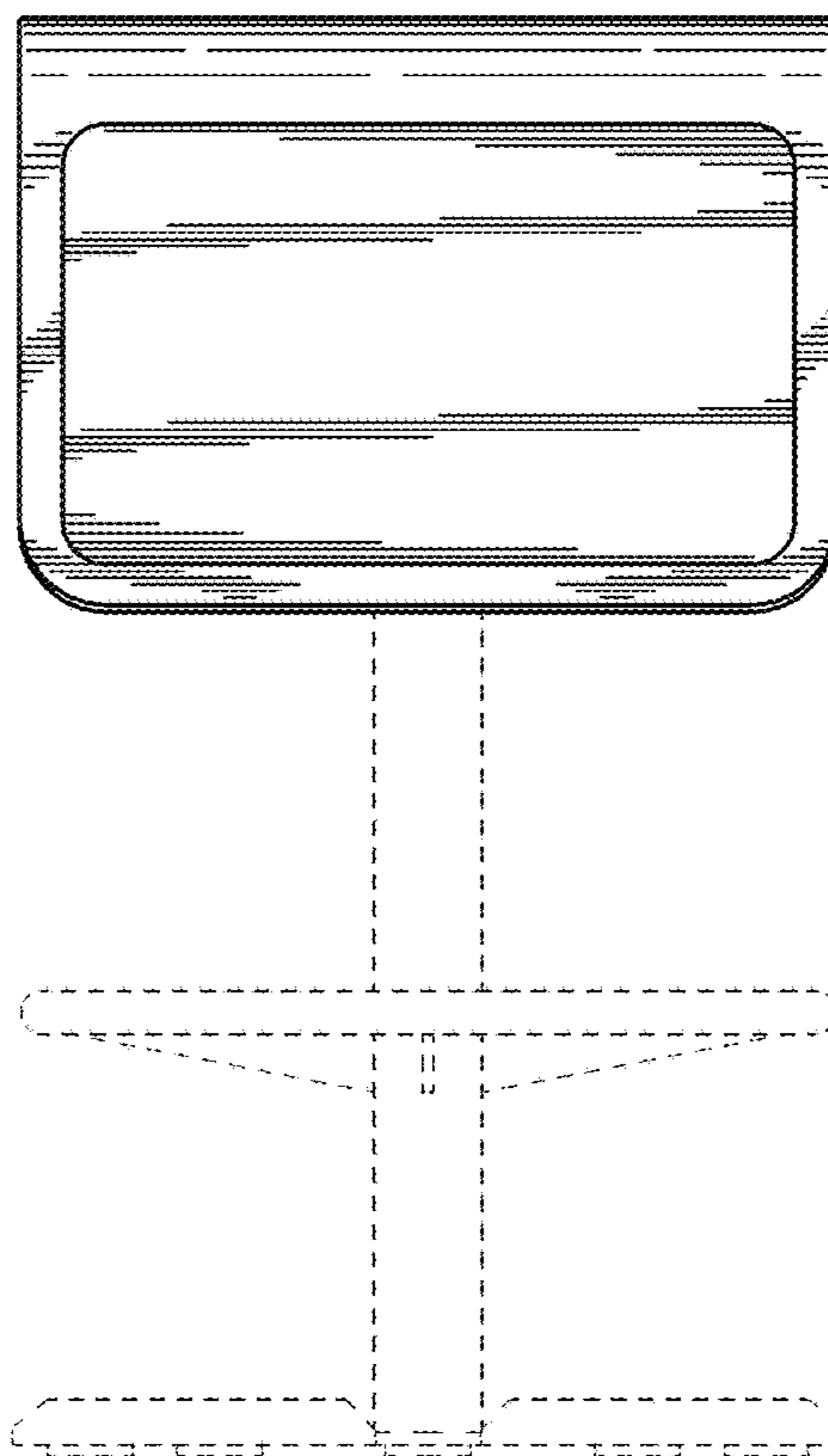


FIG. 12

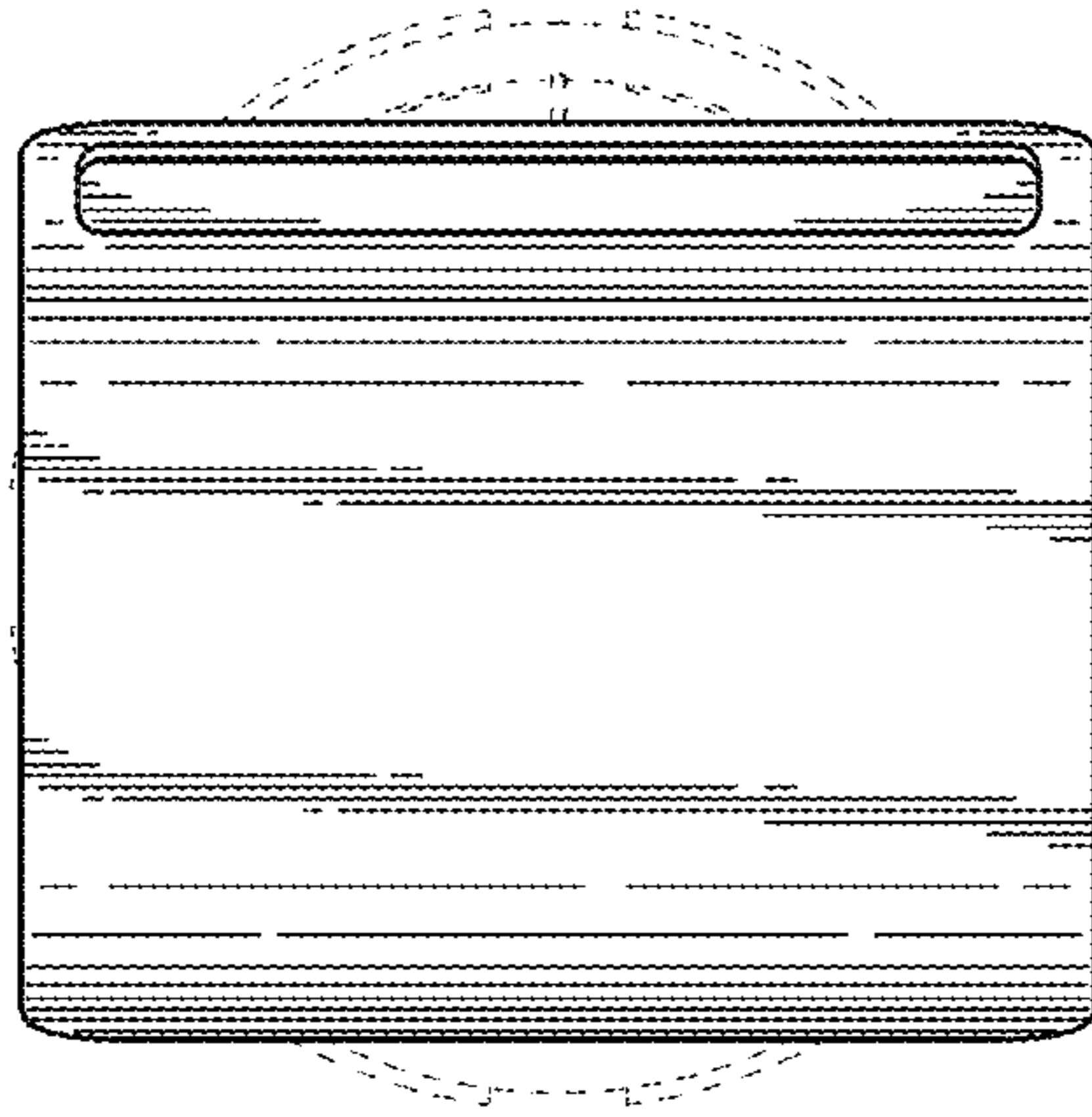


FIG. 13

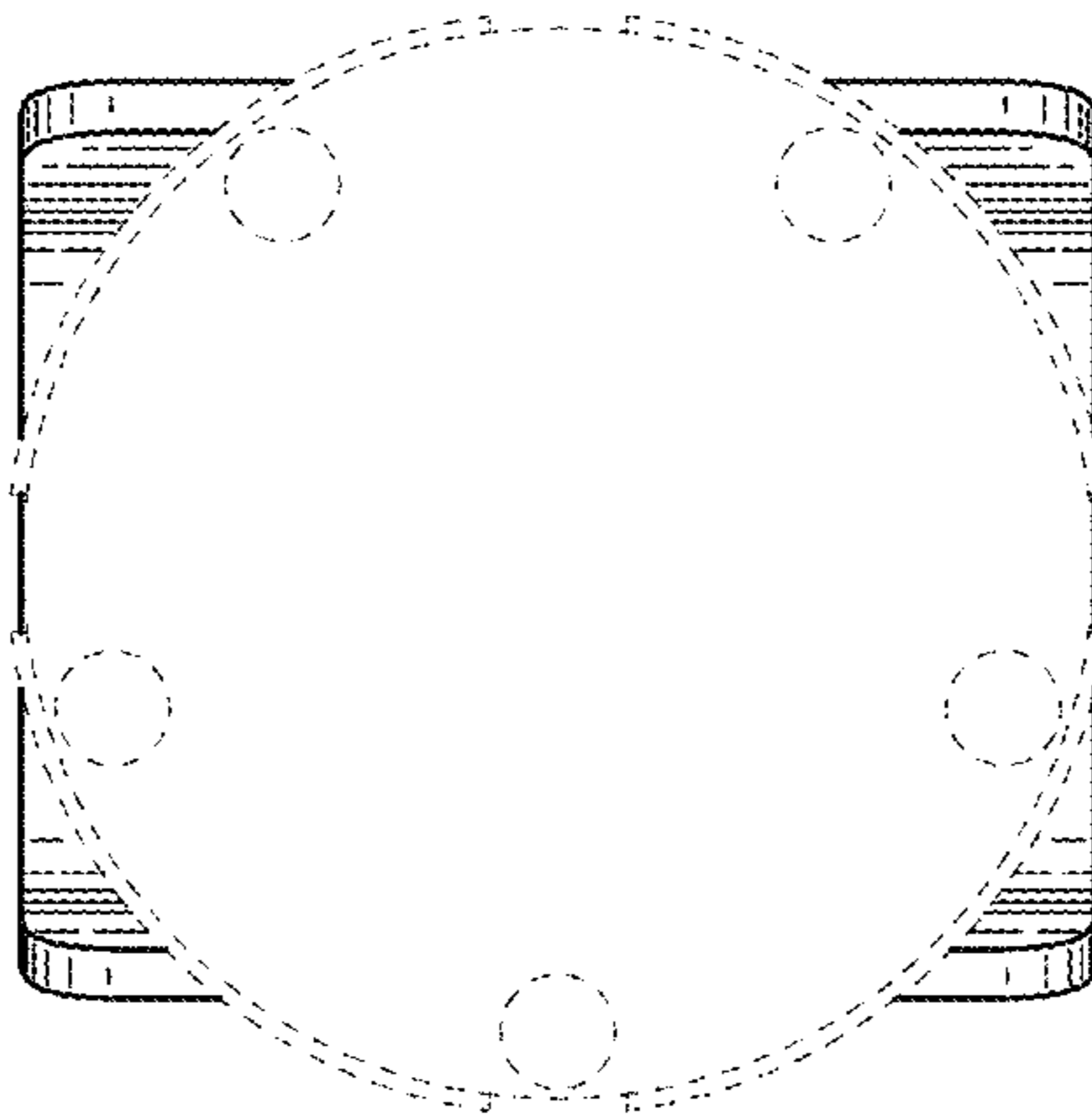


FIG. 14