



US00D799874S

(12) **United States Design Patent**
Swy

(10) **Patent No.:** **US D799,874 S**

(45) **Date of Patent:** **** Oct. 17, 2017**

(54) **CHAIR**

(71) Applicant: **Michigan Tube Swagers & Fabricators, Inc.**, Temperance, MI (US)

(72) Inventor: **Joshua Paul Swy**, Lambertville, MI (US)

(73) Assignee: **Michigan Tube Swagers & Fabricators, Inc.**, Temperance, MI (US)

(**) Term: **15 Years**

(21) Appl. No.: **29/564,204**

(22) Filed: **May 11, 2016**

(51) **LOC (10) Cl.** **06-06**

(52) **U.S. Cl.**
USPC **D6/716**

(58) **Field of Classification Search**
USPC D6/334, 349-350, 364-368, 374, 375, D6/379, 380, 403, 405, 406.6, 654-654.1, D6/678-678.2, 682.1-682.6, 684-686, D6/691, 691.8-691.9, 698, 699, 705, D6/705.5, 707.19, 708, 708.21, 716; 297/284.4, 452.18, 452.24, 452.26, 297/452.28, 452.32-452.33, 452.37
CPC A47C 7/02; A47C 7/44; A47C 7/46; A47C 7/48; A47C 7/54; A47C 7/386; A47C 7/462; A47C 1/10; A47C 1/031; B60N 2/02; B60N 2/22; B60N 2/44
See application file for complete search history.

(56) **References Cited**

U.S. PATENT DOCUMENTS

- 3,408,106 A * 10/1968 Bolling A47C 5/12
297/452.14
- D648,158 S * 11/2011 Kubryk D6/366

- D654,732 S * 2/2012 Kubryk D6/366
- D664,381 S * 7/2012 Kubryk D6/366
- D683,171 S * 5/2013 Kubryk D6/366
- D683,570 S * 6/2013 Kubryk D6/366
- D729,563 S * 5/2015 Kubryk D6/716
- D730,098 S * 5/2015 Kubryk D6/716
- D730,099 S * 5/2015 Kubryk D6/716
- D730,670 S * 6/2015 Kubryk D6/716
- D762,407 S * 8/2016 Kubryk D6/716
- D767,318 S * 9/2016 Kubryk D6/716
- D768,421 S * 10/2016 Kubryk D6/716
- D779,866 S * 2/2017 Kubryk D6/716.3

OTHER PUBLICATIONS

Hive Modern [online] found on Jun. 6, 2017 URL <https://hivemodern.com/pages/product8993/grand-executive-lowback-chair-antonio-citterio-vitra>.
Allermuir EPA—Phoulds (2016).

(Continued)

Primary Examiner — Manpreet Matharu

Assistant Examiner — Keith Wilson

(74) *Attorney, Agent, or Firm* — Dinsmore & Shohl LLP

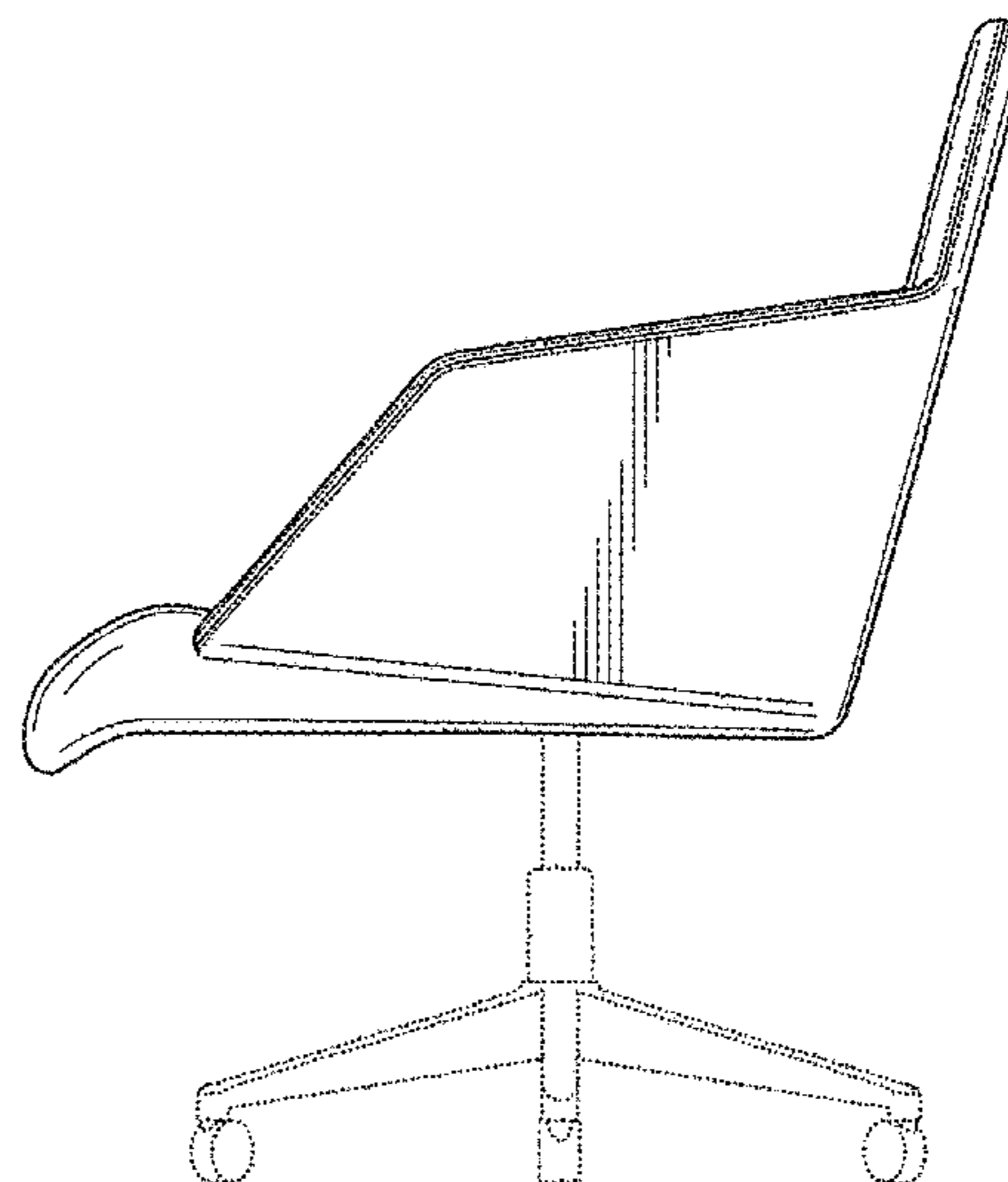
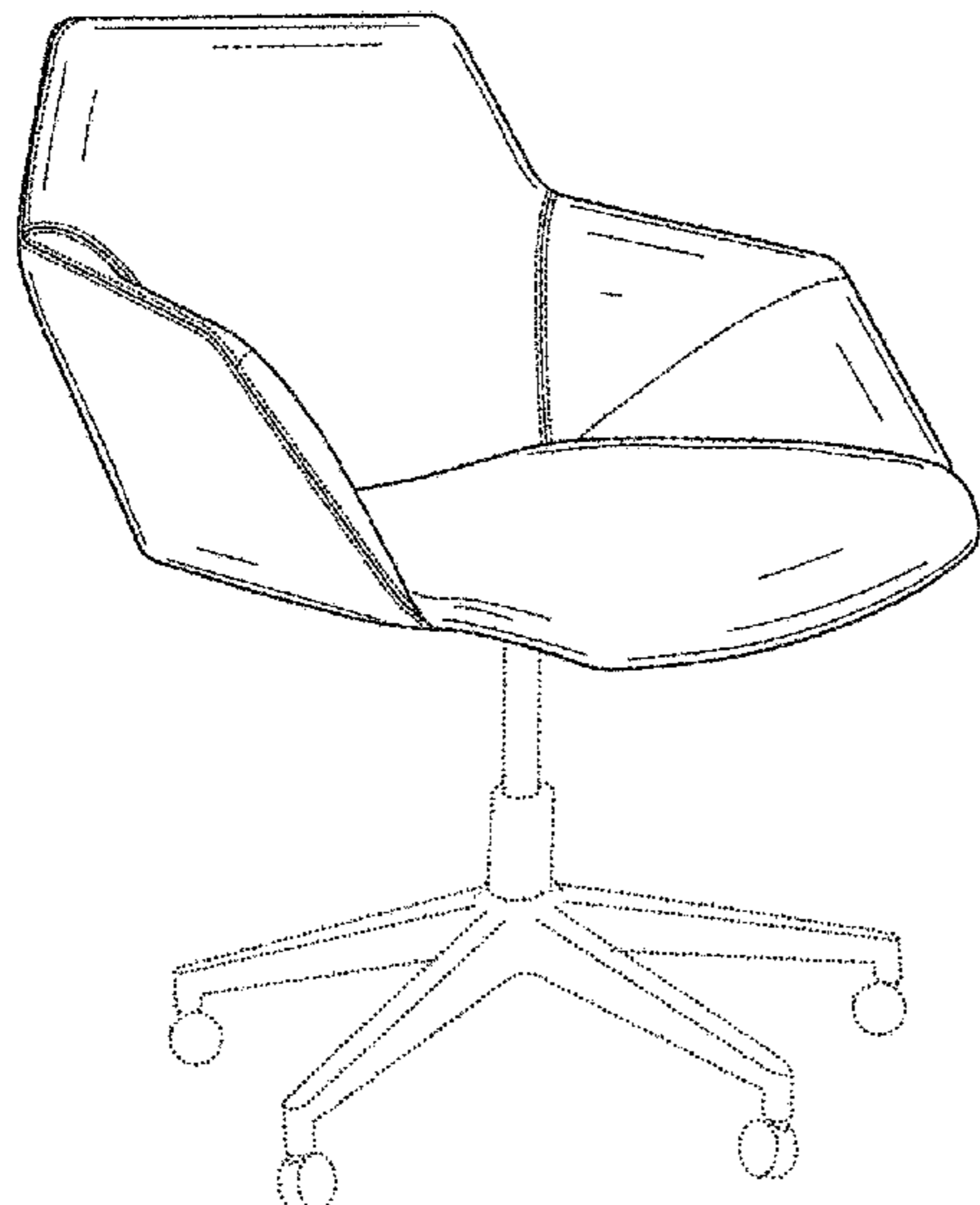
(57) **CLAIM**

The ornamental design for a chair, as shown and described.

DESCRIPTION

FIG. 1 is a perspective view of a chair in accordance with the present invention;
FIG. 2 is a front view of the chair of FIG. 1;
FIG. 3 is a rear view of the chair of FIGS. 1-2;
FIG. 4 is a side view of the chair of FIGS. 1-3, the opposite side being a mirror image thereof;
FIG. 5 is a top view of the chair of FIGS. 1-4; and,
FIG. 6 is a bottom view of the chair of FIGS. 1-5.
The broken lines shown in the Figures are for environmental purposes only and form no part of the claimed design.

1 Claim, 3 Drawing Sheets



(56)

References Cited

OTHER PUBLICATIONS

Aston Conference / 4 Ways (2007).

Aston Direction / 4 Ways (2007).

Canadian Industrial Design Database—Reg. No. 162039 (2016).

The Dunas XL Collection—Sandler Seating (2016).

* cited by examiner

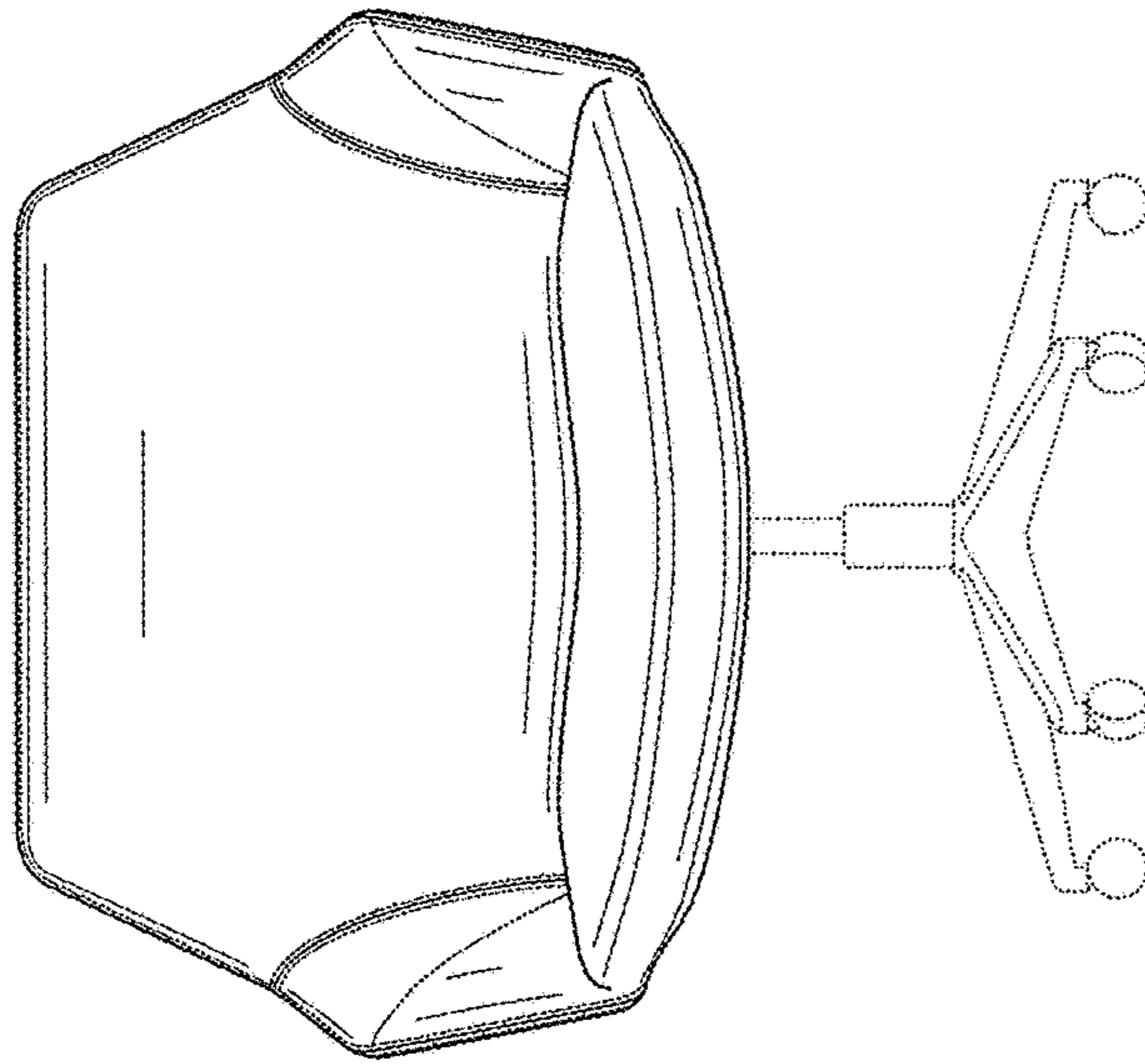


FIG. 2

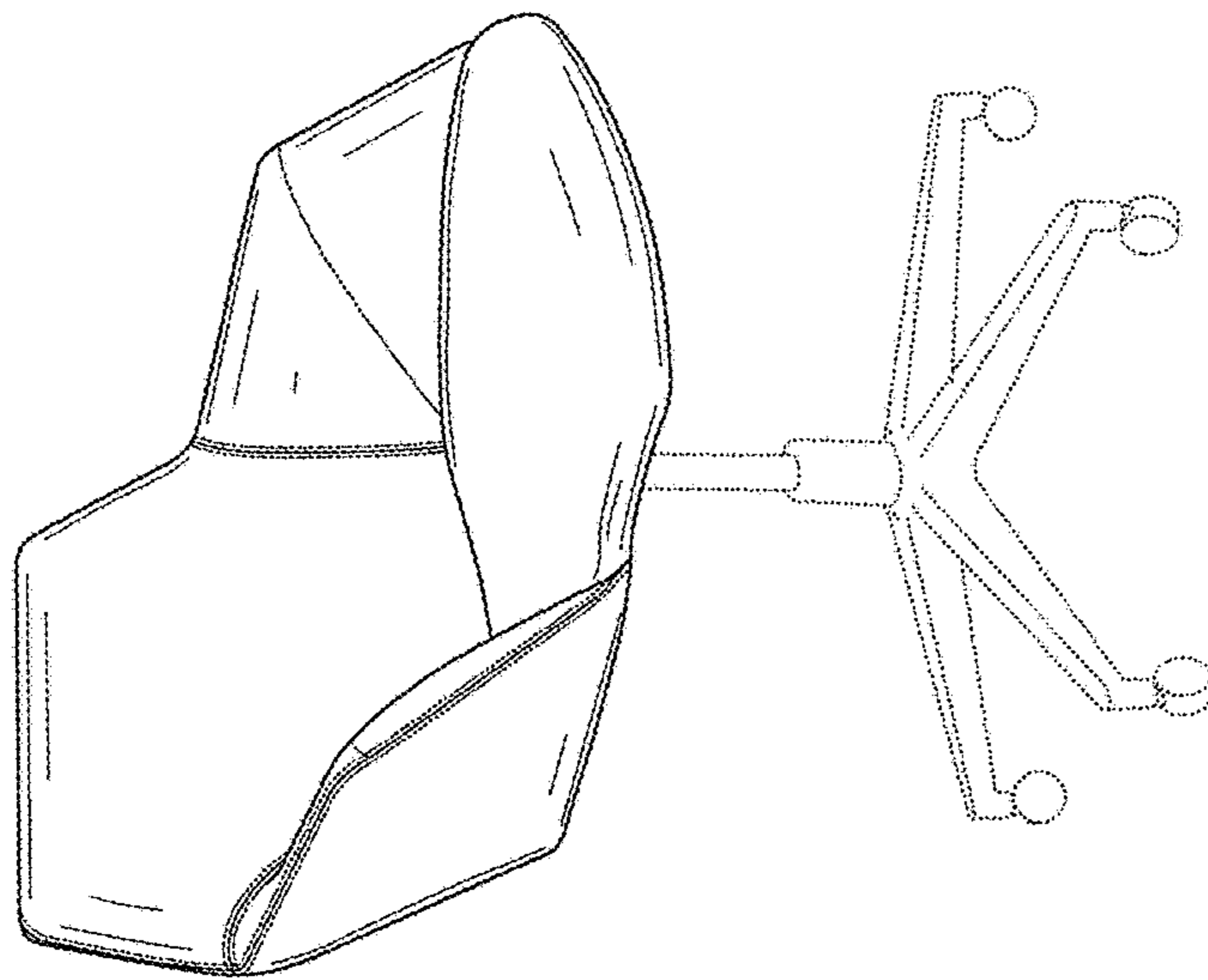


FIG. 1

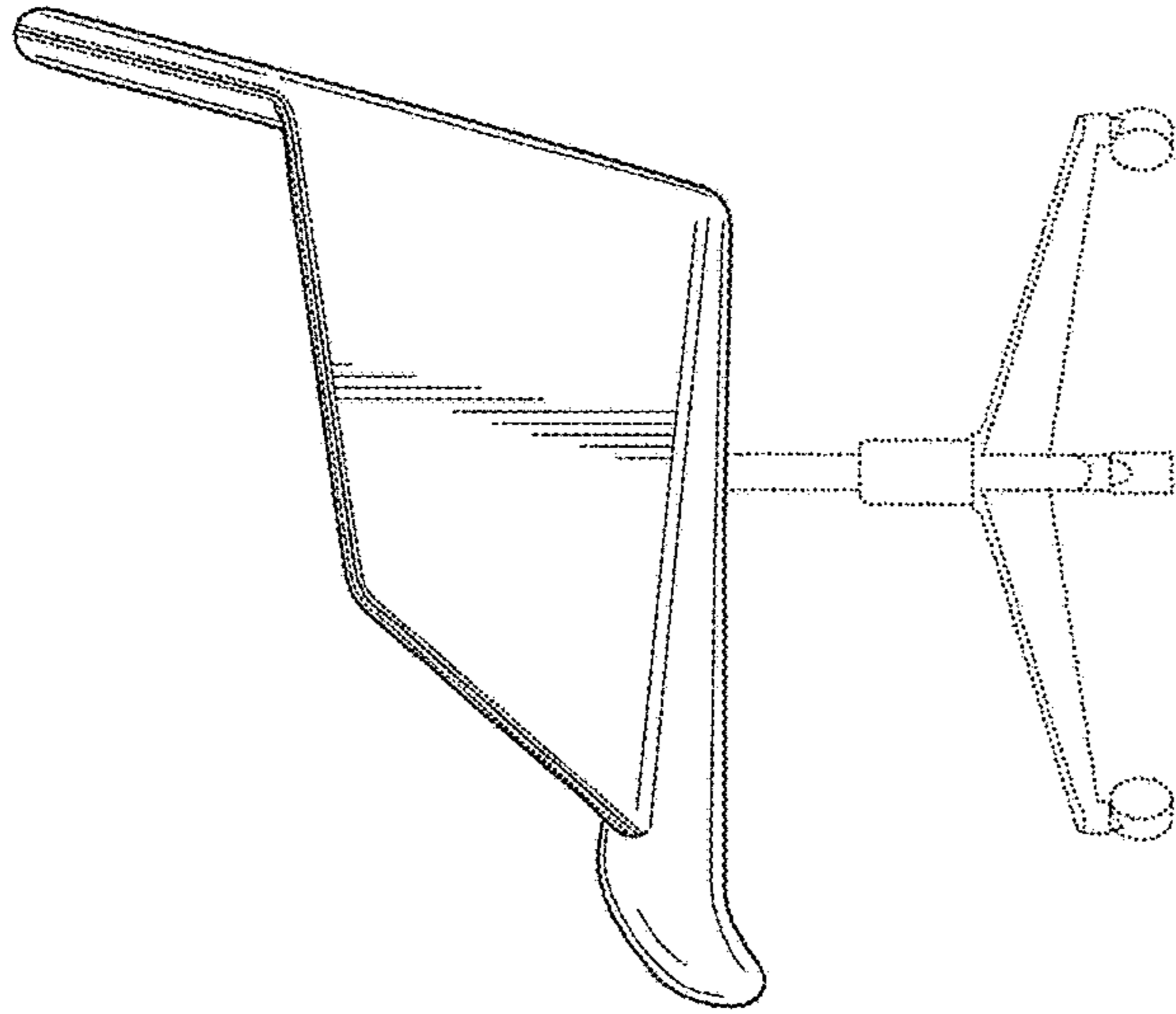


FIG. 4

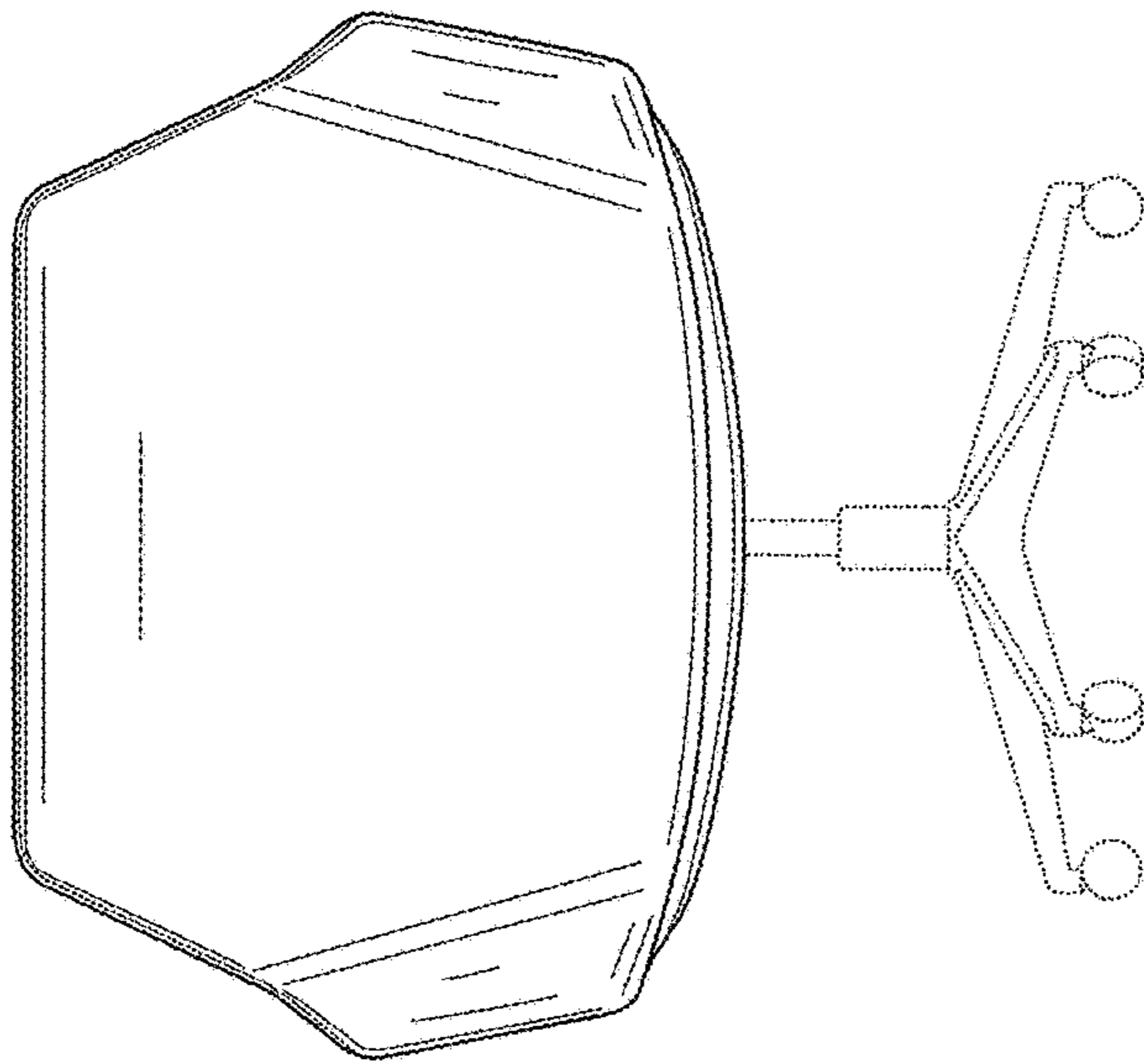


FIG. 3

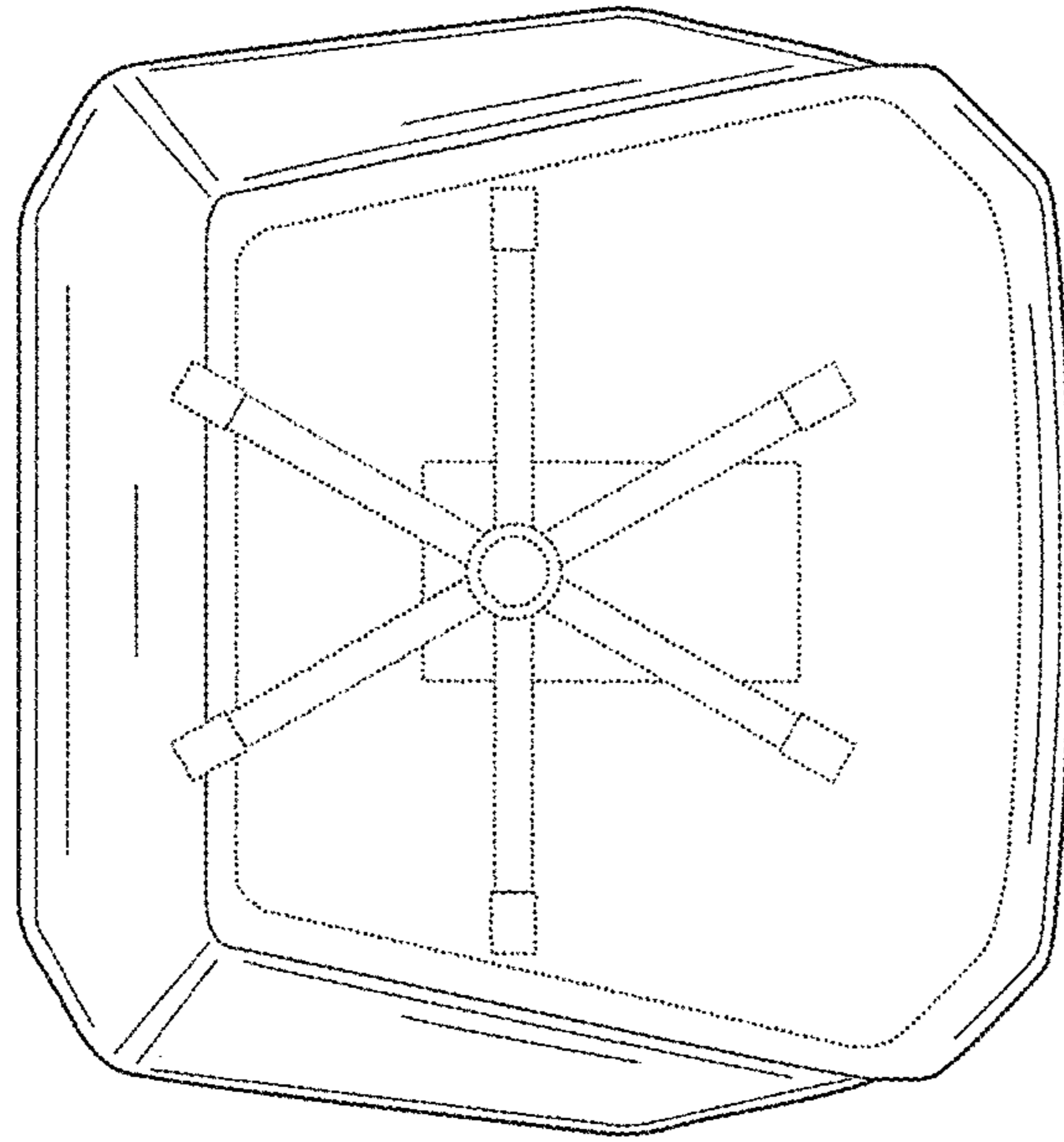


FIG. 6

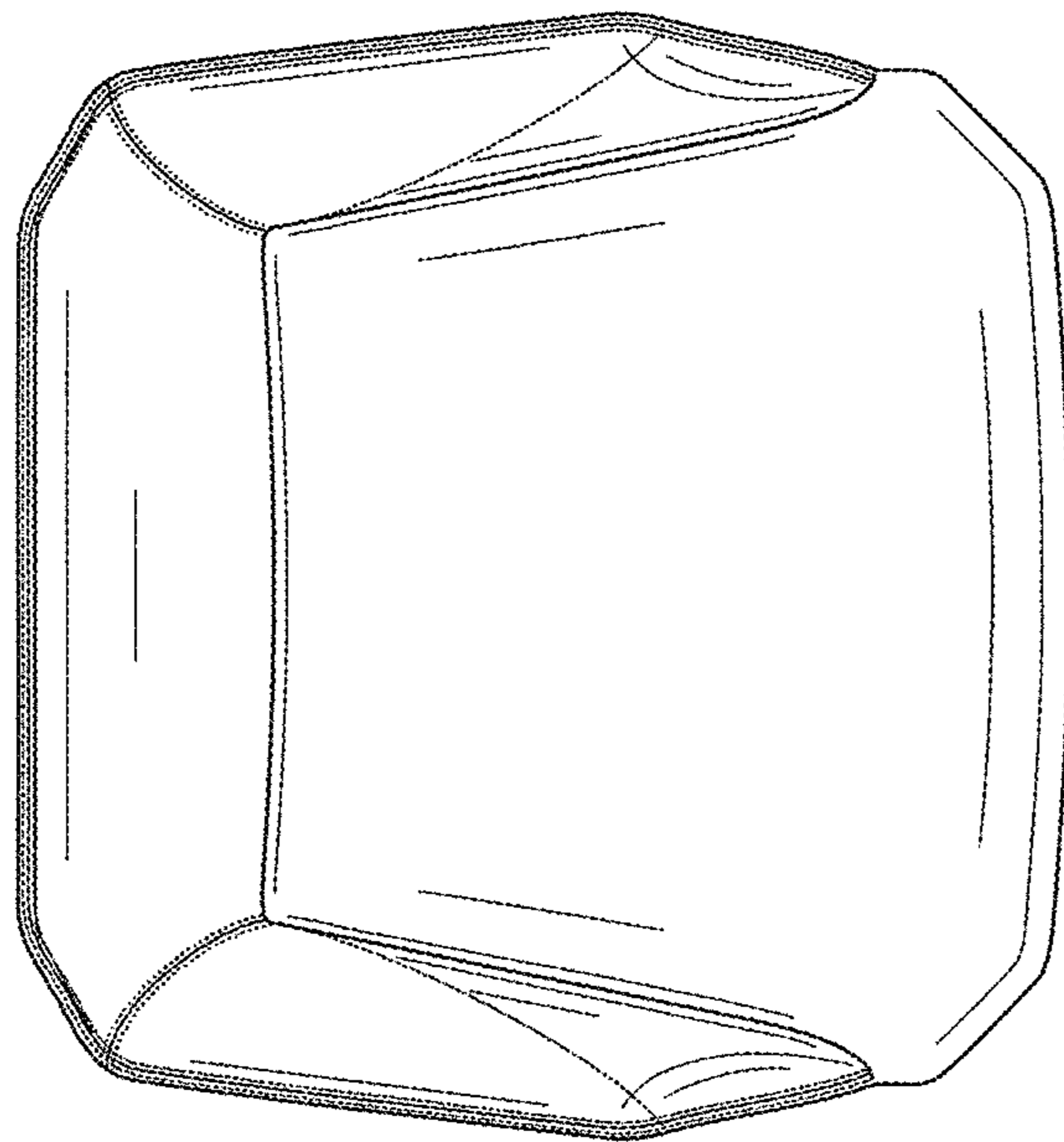


FIG. 5