



US00D799868S

(12) **United States Design Patent** (10) **Patent No.:** **US D799,868 S**
Schmitt (45) **Date of Patent:** **** Oct. 17, 2017**

(54) **TABLE**
(71) Applicant: **Jack Schmitt**, Mission Viejo, CA (US)
(72) Inventor: **Jack Schmitt**, Mission Viejo, CA (US)
(73) Assignee: **Amini Innovation Corporation**, Pico Rivera, CA (US)
(**) Term: **15 Years**

(21) Appl. No.: **29/563,434**
(22) Filed: **May 4, 2016**
(51) **LOC (10) Cl.** **06-03**
(52) **U.S. Cl.**
USPC **D6/697**
(58) **Field of Classification Search**
USPC D6/671, 675, 677, 685, 687, 690, 691,
D6/691.1, 691.2, 691.3, 691.4, 691.5,
D6/691.9, 693, 695, 695.2, 696, 697, 698,
D6/699, 699.2, 703, 707, 709, 709.2
CPC A47B 7/00; A47B 13/08; A47B 13/10;
A47B 21/00; A47B 2009/006; A47B
11/00
See application file for complete search history.

(56) **References Cited**
U.S. PATENT DOCUMENTS

D34,386 S	4/1924	Arons
D78,457 S	5/1929	Ekvall
D79,651 S	10/1929	Gommesen
D161,212 S	12/1950	Scalera
D179,301 S	11/1956	Jones et al.
D182,911 S	5/1958	Lubberts et al.
D291,950 S	9/1987	Keller
4,878,439 A	11/1989	Samson
D323,086 S	1/1992	Arcese et al.
D328,990 S	9/1992	Kwiescinski
D344,421 S	2/1994	Keller
D346,713 S	5/1994	Ferguson

D350,446 S 9/1994 Sauvage
D375,217 S 11/1996 Rehmert
D375,853 S 11/1996 Lee
(Continued)

OTHER PUBLICATIONS

Ethan Allen Circular, Legacy Collection Dining Table, p. 5, 1996.
(Continued)

Primary Examiner — Mary Ann Calabrese

Assistant Examiner — Sloan Rozin

(74) *Attorney, Agent, or Firm* — Cislo & Thomas, LLP

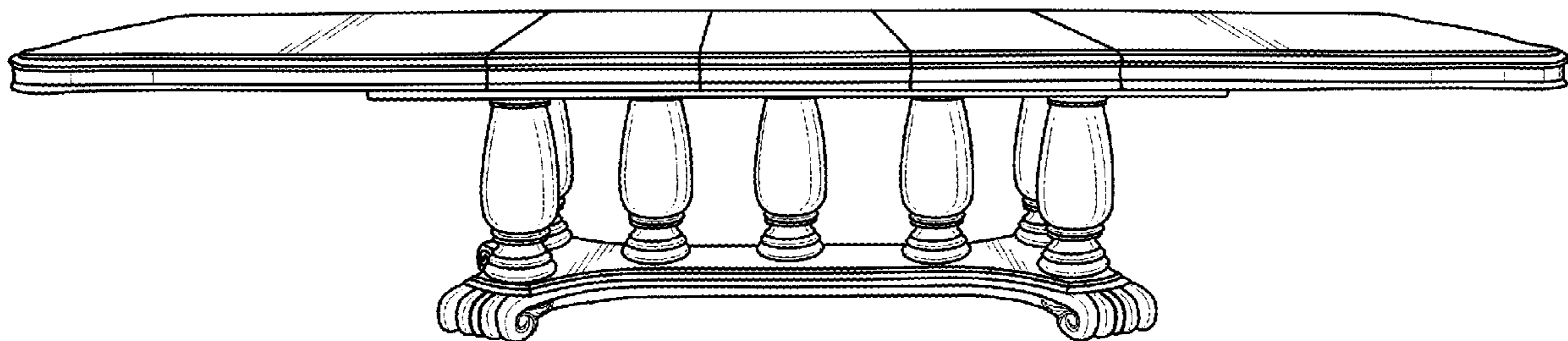
(57) **CLAIM**

I claim the ornamental design for a table, as shown and described.

DESCRIPTION

FIG. 1 is a front view, the rear view (not shown) is a mirror image of my table;
FIG. 2 is a perspective view thereof;
FIG. 3 is a right side view, the left side view (not shown) is a mirror image thereof;
FIG. 4 is a close-up right side view, the left side view (not shown) is a mirror image, of the lower portion of my table;
FIG. 5 is an additional close-up right side view, the left side view (not shown) is a mirror image, of the lower portion thereof;
FIG. 6 is a further close-up of the right side lower portion of FIG. 5, the left side lower portion (not shown) is a mirror image;
FIG. 7 is a top view thereof;
FIG. 8 is an additional front view thereof, the rear view (not shown) is a mirror image;
FIG. 9 is a close up of a support column in the lower portion of my table; and,
FIG. 10 is a close up of the lower foot portion of my table.

1 Claim, 10 Drawing Sheets



(56)

References Cited

U.S. PATENT DOCUMENTS

D380,315 S 7/1997 Bergelin
 D386,021 S 11/1997 Pratt
 D388,980 S 1/1998 Mohundro
 D393,964 S 5/1998 Bergelin
 D403,900 S 1/1999 Hutton
 D412,632 S 8/1999 Walters, III et al.
 D423,255 S 4/2000 O'Hare
 D425,733 S 5/2000 O'Hare
 D431,131 S 9/2000 Wistehuff, Sr.
 D434,583 S 12/2000 Hutton
 D438,032 S 2/2001 Cain
 D445,607 S 7/2001 O'Hare et al.
 D448,213 S 9/2001 O'Hare et al.
 D448,951 S 10/2001 O'Hare et al.
 D448,952 S 10/2001 O'Hare et al.
 D449,186 S 10/2001 O'Hare et al.
 D449,946 S 11/2001 Hokanson
 D455,299 S 4/2002 Vaaler
 D455,579 S 4/2002 Vaaler
 6,363,866 B1 4/2002 Schwartz
 D457,357 S 5/2002 Vaaler
 D457,759 S 5/2002 O'Hare et al.
 D458,055 S 6/2002 Vaaler
 D459,621 S 7/2002 O'Hare et al.
 D460,881 S 7/2002 Stanton
 D462,855 S 9/2002 McDaniel et al.
 D464,828 S 10/2002 Vaaler
 D470,342 S 2/2003 Vaaler
 D473,077 S 4/2003 Berry, Jr. et al.
 D474,048 S 5/2003 Stanton
 D478,747 S 8/2003 Warren et al.
 D486,014 S 2/2004 Schmitt
 D486,327 S 2/2004 Schmitt
 D495,534 S * 9/2004 Roscoe D6/691.1
 D502,342 S 3/2005 O'Hare
 D511,057 S 11/2005 Mohundro

D512,856 S 12/2005 Peterson et al.
 D530,544 S 10/2006 Domack et al.
 D531,430 S 11/2006 Domack et al.
 D531,432 S 11/2006 Domack et al.
 D531,838 S 11/2006 Domack et al.
 D540,069 S 4/2007 Schmitt
 D544,728 S 6/2007 Schmitt
 D548,492 S 8/2007 Domack et al.
 D552,889 S 10/2007 Domack et al.
 D552,891 S 10/2007 Everson et al.
 D558,487 S 1/2008 Everson et al.
 D558,488 S 1/2008 Domack et al.
 D562,598 S 2/2008 Domack et al.
 D565,867 S * 4/2008 Domack D6/688.11
 D569,660 S 5/2008 Schmitt
 D586,154 S 2/2009 Schmitt
 D592,893 S 5/2009 Schmitt
 D605,432 S * 12/2009 Schmitt D6/688.11
 D634,948 S 3/2011 Lewis
 D713,185 S * 9/2014 Litt D6/691.5
 D730,667 S * 6/2015 James D6/691.1
 D774,809 S * 12/2016 Grossinger D6/691.3

OTHER PUBLICATIONS

Furniture Today, p. 158, Oct. 19, 1998.
 Furniture Today, AICO Table; p. 15, Oct. 16, 2000.
 Amini Innovation Corp. Monte Carlo Collection, #53000 Series, 2001, 1 page.
 Amini Innovation Corp. La Francaise Collection, #50000 Series, Sep. 11, 2002, 2 pages.
 Amini Innovation Corp. Torino Collection, #56000 Series, Apr. 18, 2002, 1 page.
 Amini Innovation Corp. Excelsior Double Pedestal Table, Sep. 14, 2004, 1 page.
 Amini Innovation Corp. Trevi Collection, Sep. 20, 2004, 2 pages.

* cited by examiner

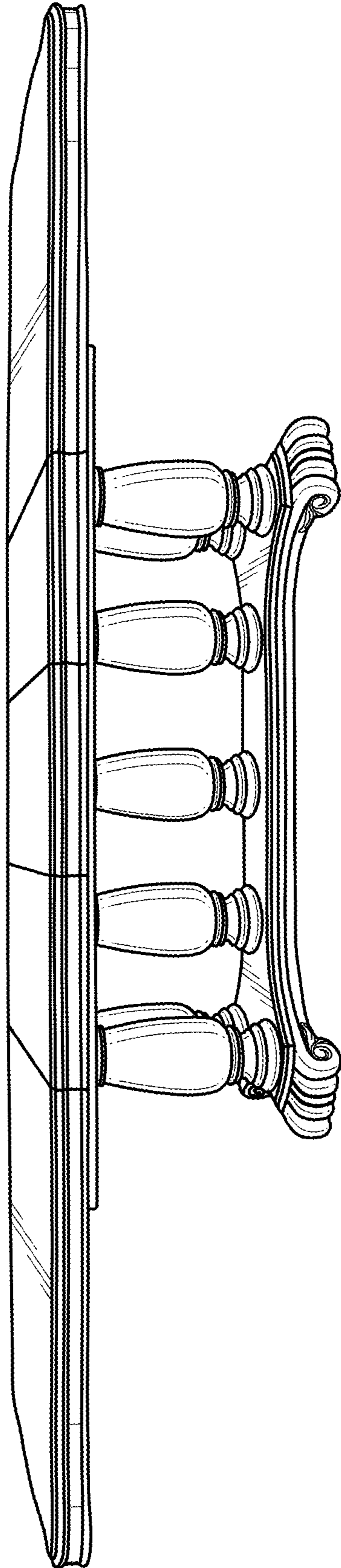


FIG. 1

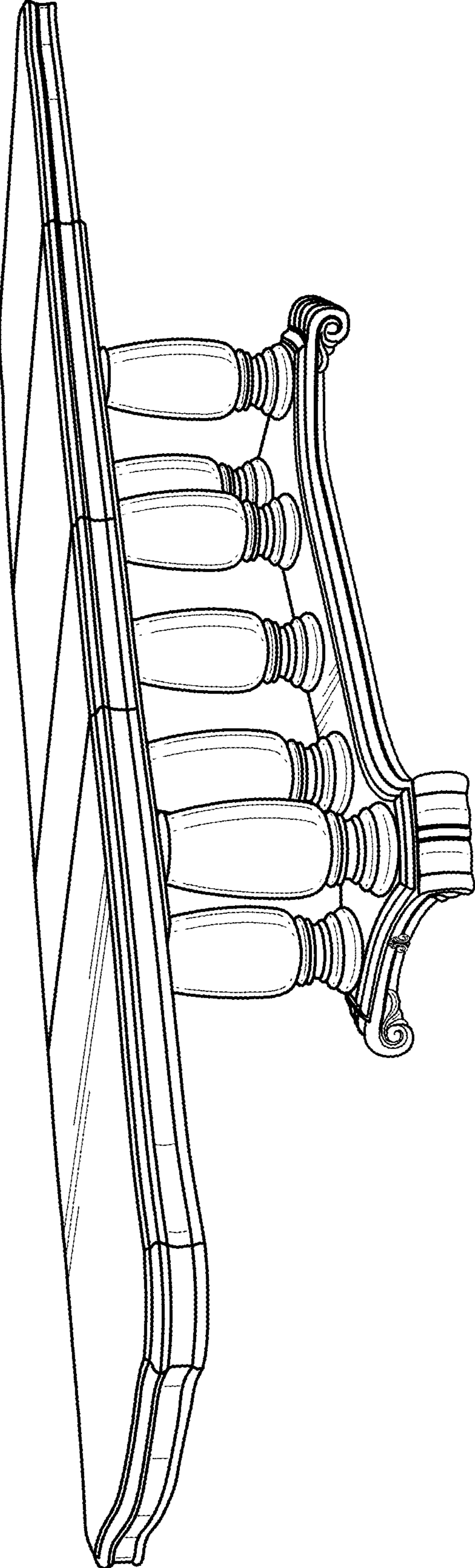


FIG. 2

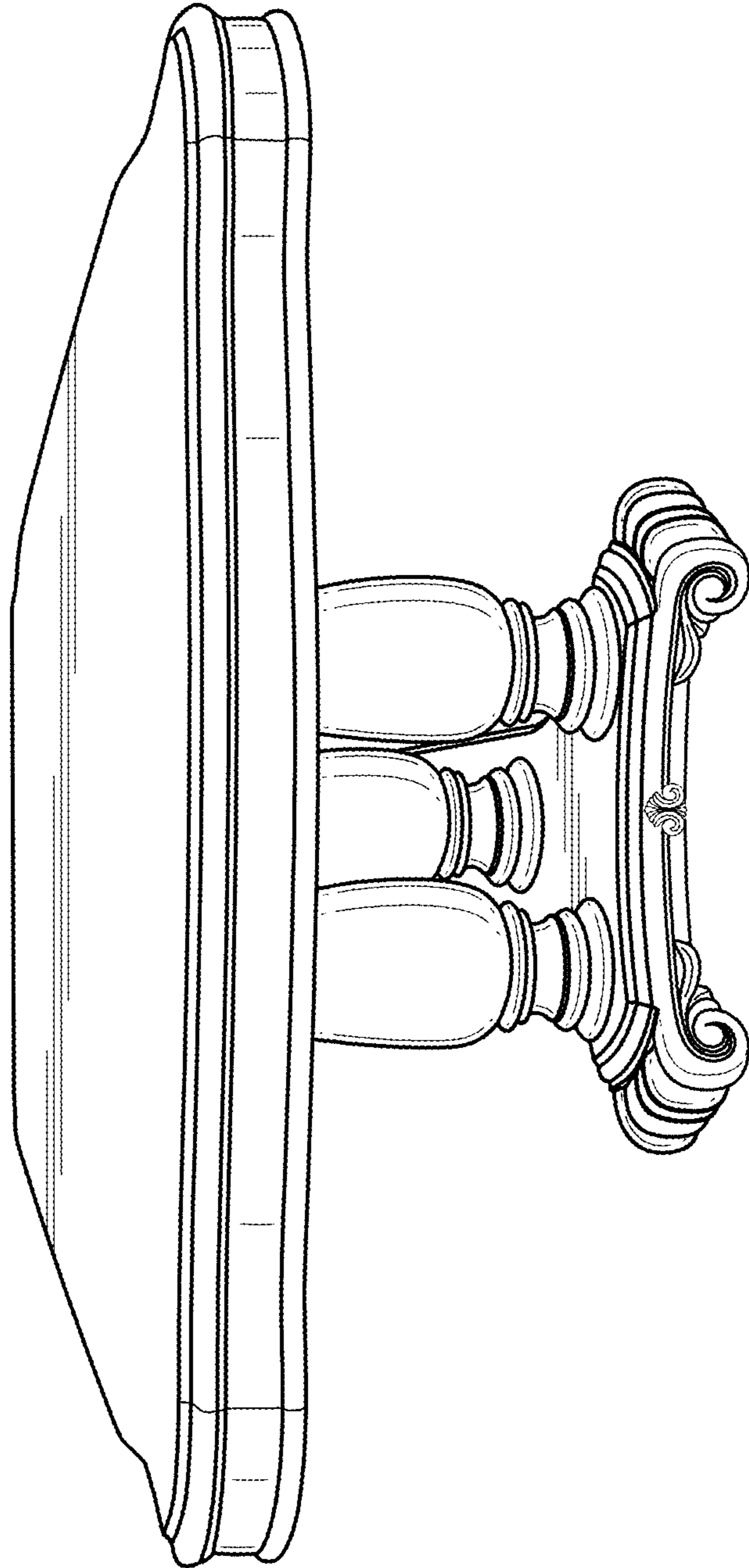


FIG. 3

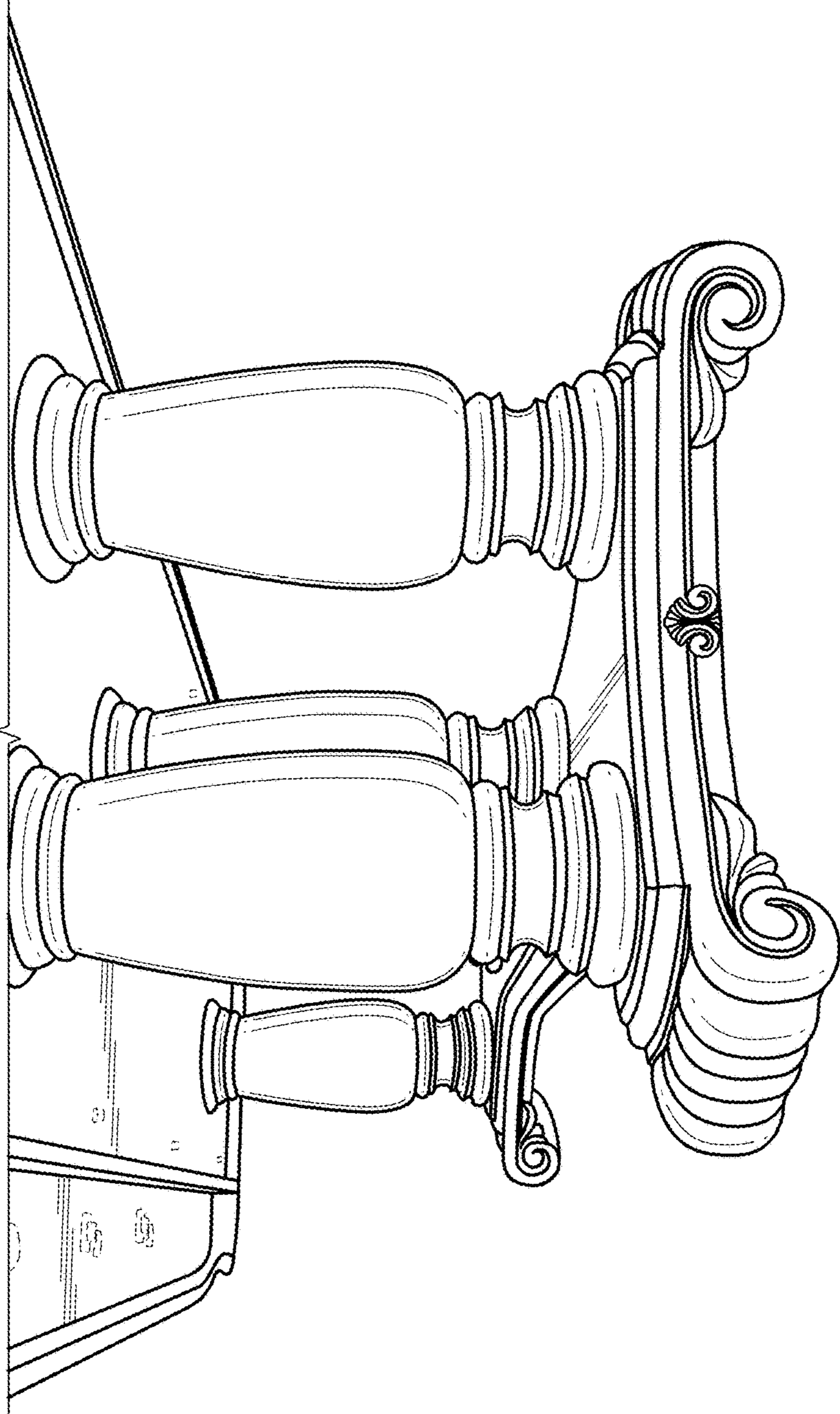


FIG. 4

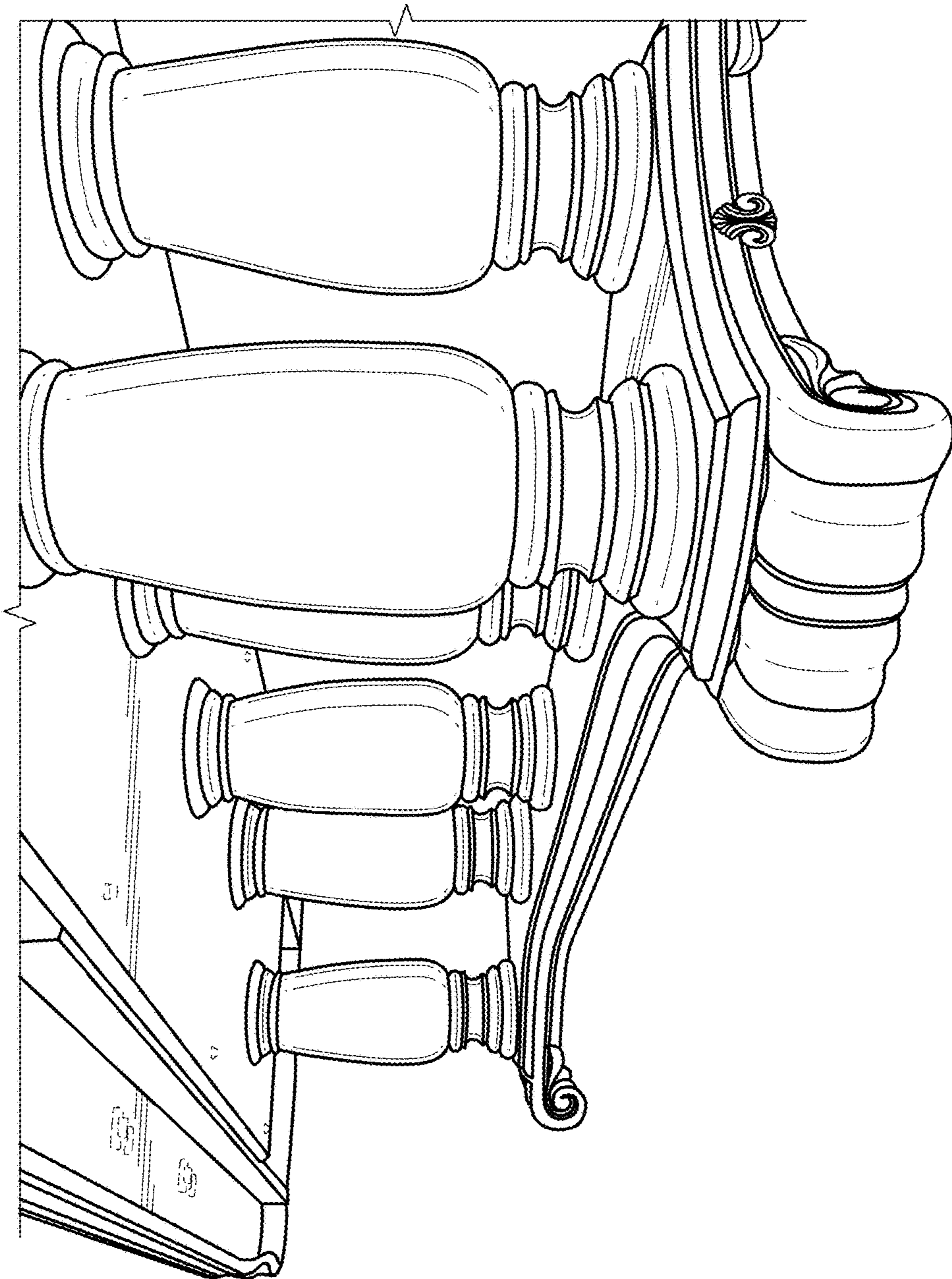


FIG. 5

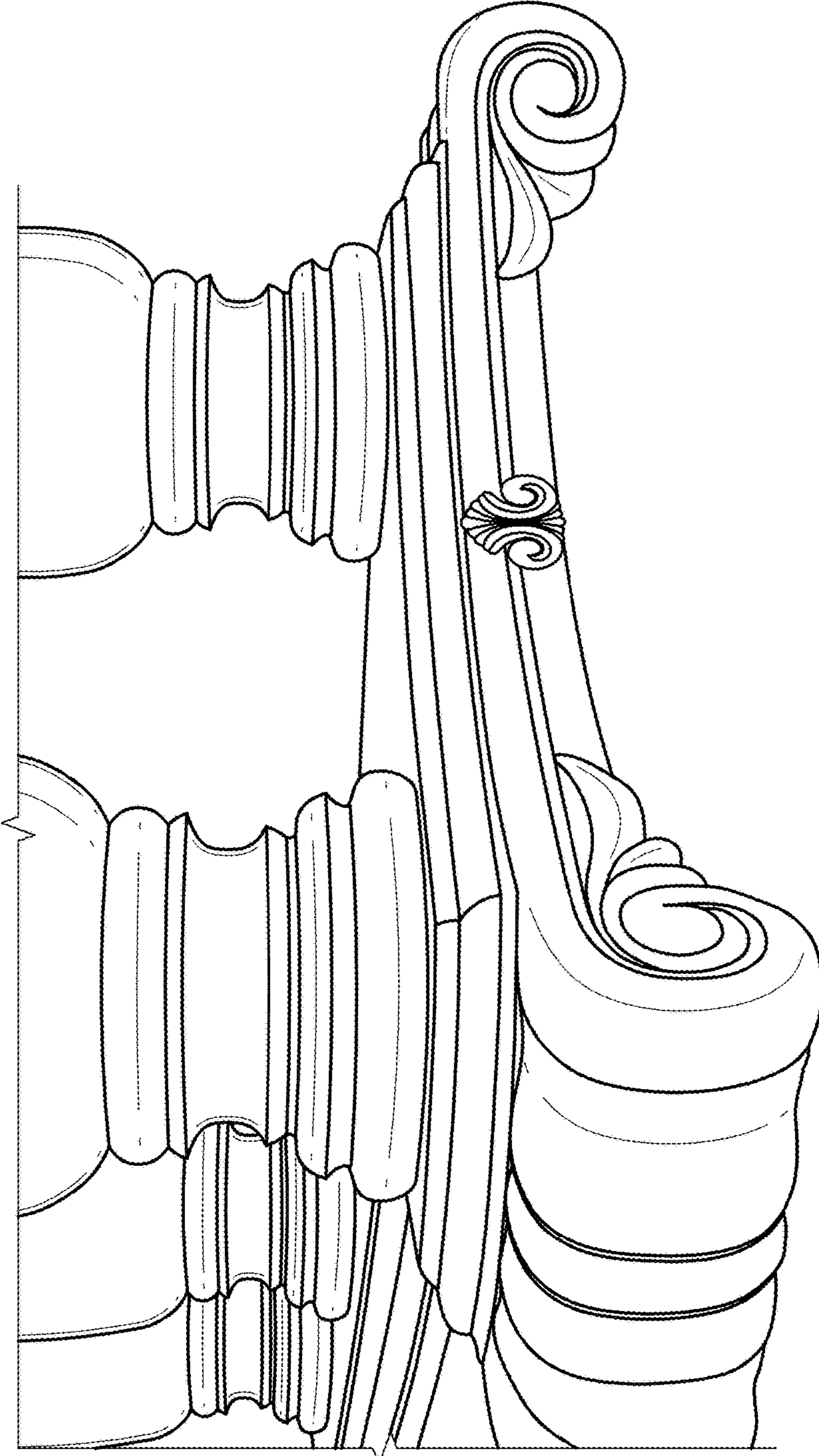


FIG. 6

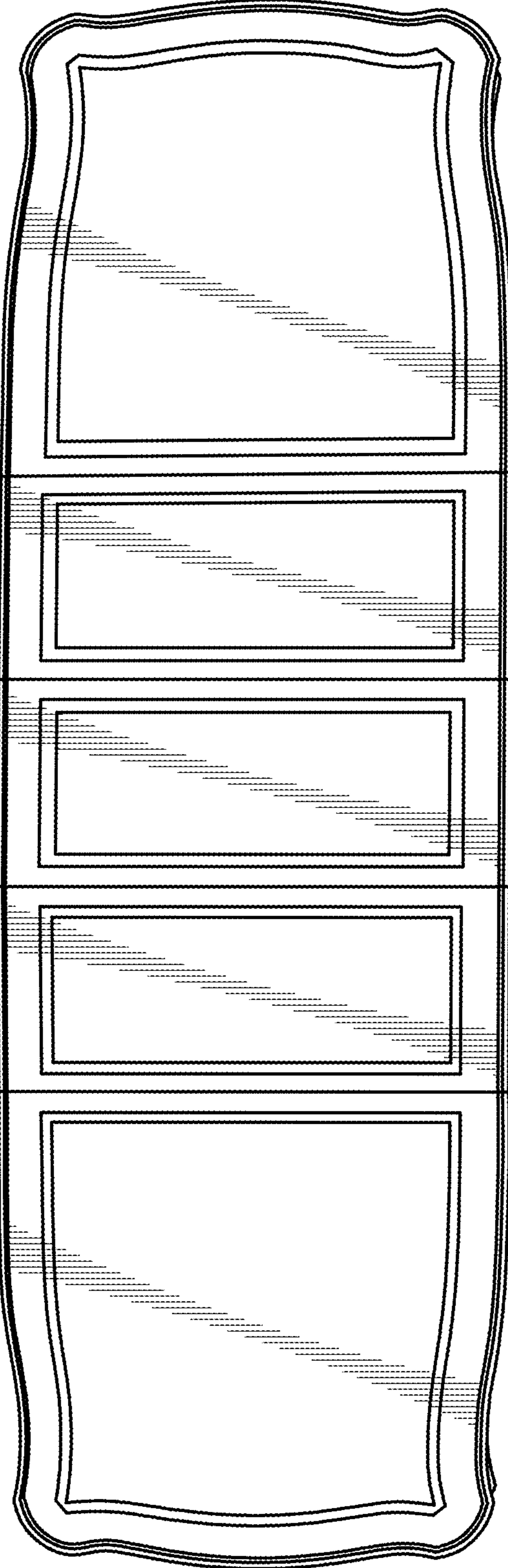


FIG. 7

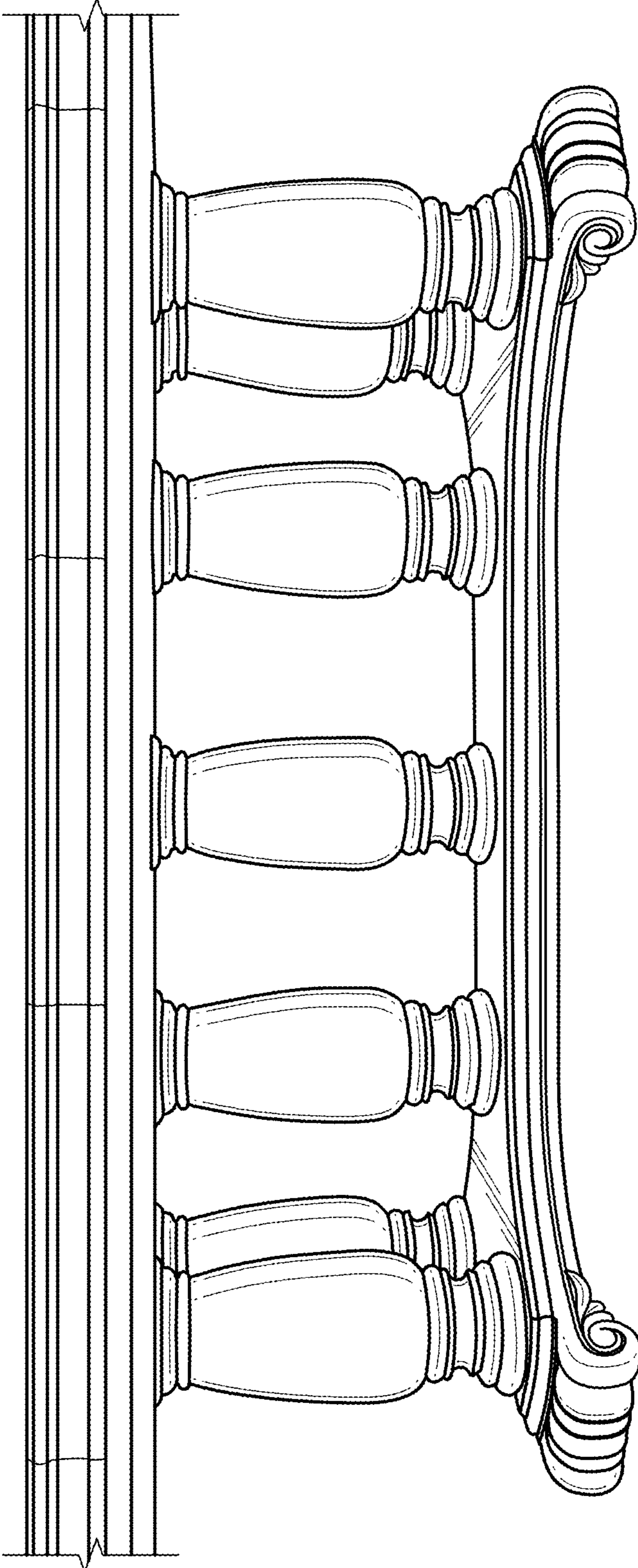


FIG. 8

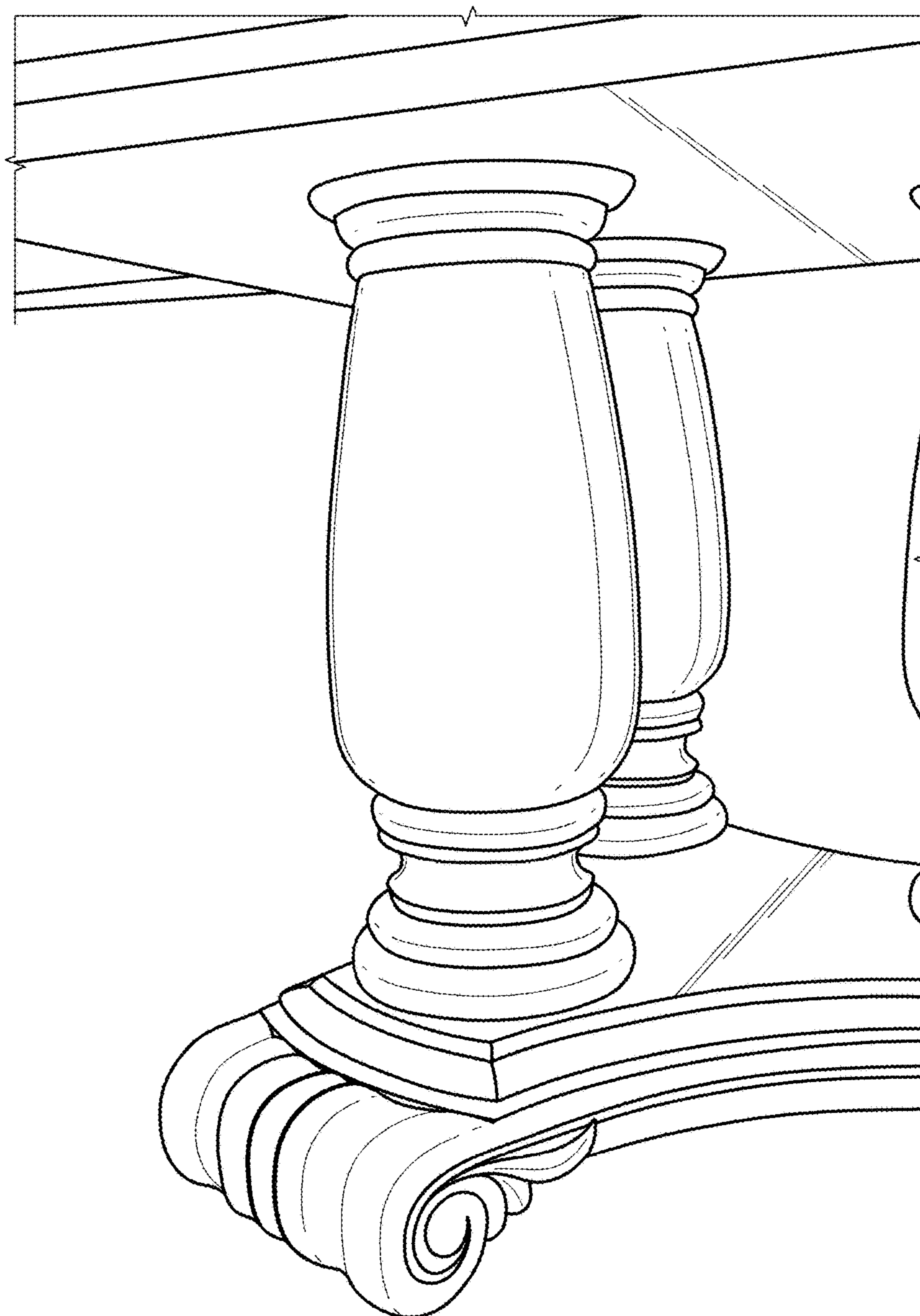


FIG. 9

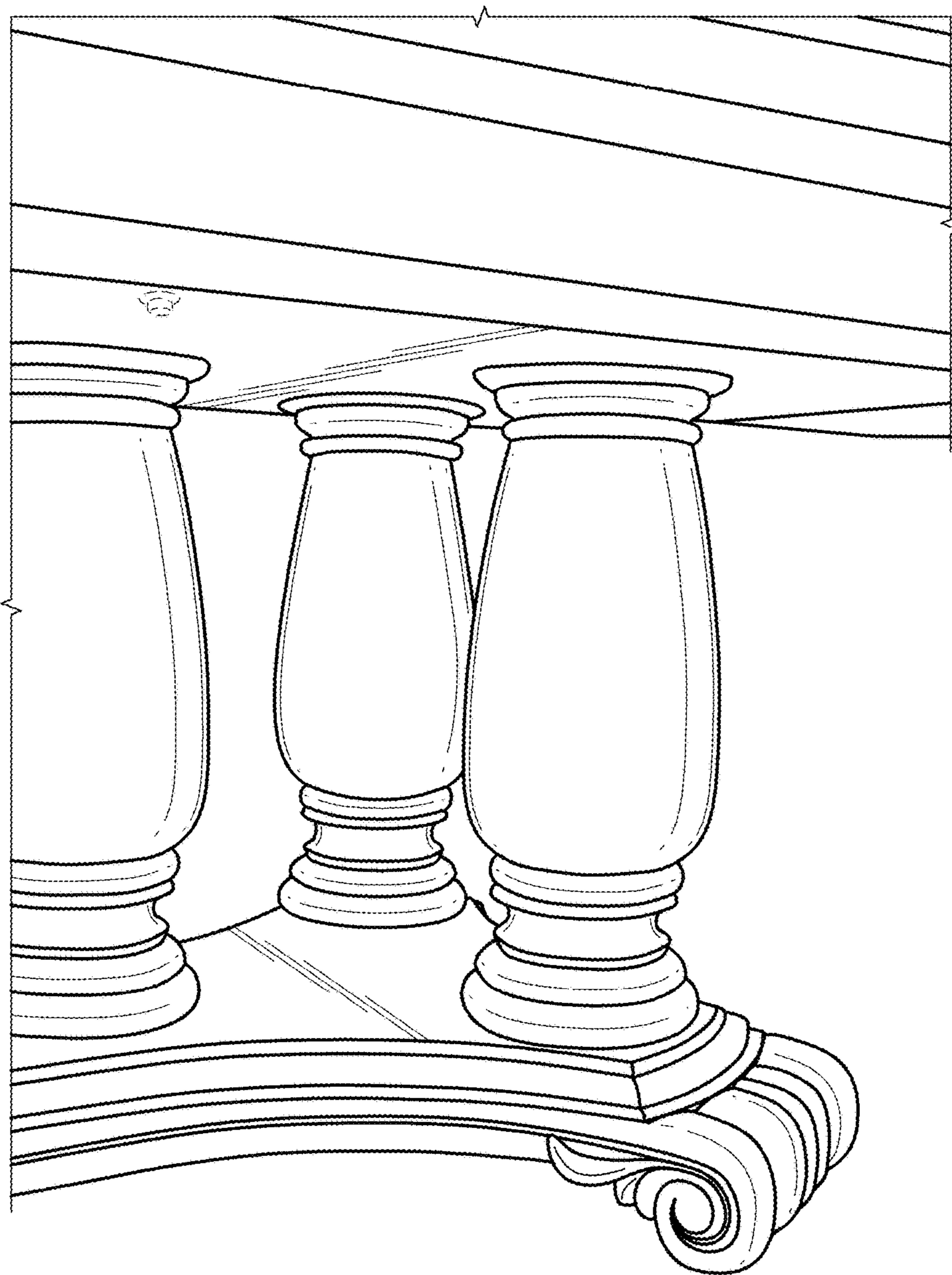


FIG. 10