



US00D799867S

(12) **United States Design Patent** (10) **Patent No.:** **US D799,867 S**
Thai et al. (45) **Date of Patent:** **** Oct. 17, 2017**

(54) **DINING TABLE**
(71) Applicant: **Holly Hunt Enterprises, Inc.**, Chicago, IL (US)
(72) Inventors: **Bao Thai**, Oak Park, IL (US); **Alberto Velez**, Chicago, IL (US); **Neil Zuleta**, Chicago, IL (US)
(73) Assignee: **Holly Hunt Enterprises, Inc.**, Chicago, IL (US)

5,363,772 A * 11/1994 Adamidis A47B 9/00 108/66
D387,585 S * 12/1997 Shields D6/656.15
D403,183 S * 12/1998 Lewis D6/692.3
D542,570 S * 5/2007 Tabashi D6/692
D562,599 S * 2/2008 Everson D6/692.3
D613,096 S * 4/2010 Stoepker D6/692.3
D659,435 S * 5/2012 Sofield D6/692.3
D745,297 S * 12/2015 Ye D6/692.3
D769,036 S * 10/2016 Manea D6/692.3
2015/0083029 A1* 3/2015 Pan A47B 13/088 108/104

(**) Term: **15 Years**

* cited by examiner

(21) Appl. No.: **29/527,898**

Primary Examiner — John Windmuller

(22) Filed: **May 22, 2015**

Assistant Examiner — Steven Czyz

(51) **LOC (10) Cl.** **06-03**

(74) *Attorney, Agent, or Firm* — Blank Rome LLP

(52) **U.S. Cl.**
USPC **D6/692.3**

(57) **CLAIM**

(58) **Field of Classification Search**
USPC D6/641, 685, 692, 692.1, 692.3, 708.17, D6/708.2; 108/150, 151, 152, 153.1, 159, 108/161; 248/188, 188.1, 188.5
CPC ... A47B 2009/006; A47B 13/00; A47B 13/02; A47B 9/00; A47B 13/023; A47B 2013/006; A47B 9/04; A47B 13/04; A47B 9/20
See application file for complete search history.

We claim the ornamental design for a dining table, as shown and described.

DESCRIPTION

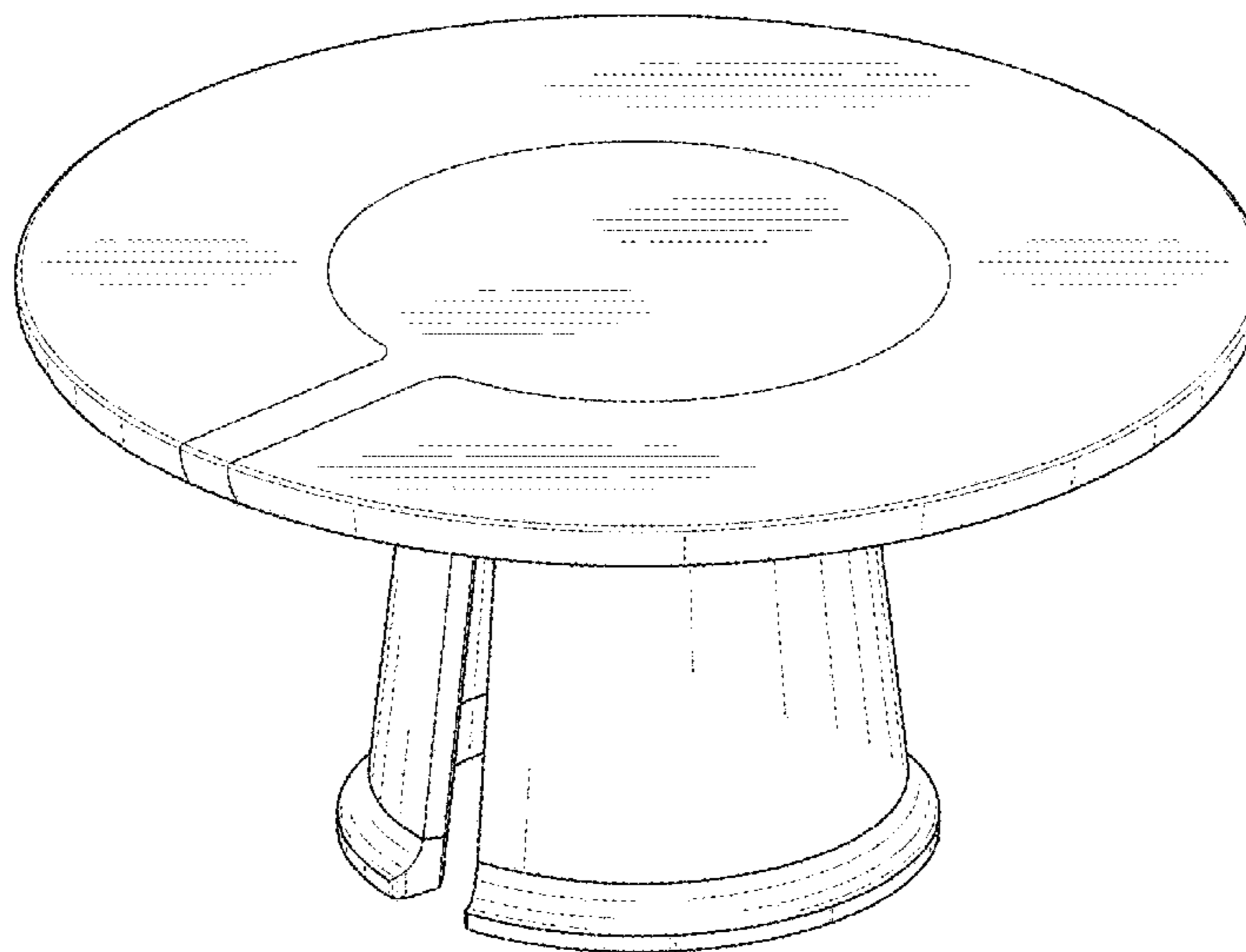
(56) **References Cited**

U.S. PATENT DOCUMENTS

D38,140 S * 7/1906 Paurowicz et al. D6/692.3
3,683,824 A * 8/1972 Weber A47B 9/00 108/150
D233,719 S * 11/1974 Everard et al. D6/692.3
D281,559 S * 12/1985 Murry D6/692.4
D323,263 S * 1/1992 Blackburn D6/686
D338,359 S * 8/1993 Sorenson D6/692.3
5,353,716 A * 10/1994 Wilbert A47B 7/02 108/150

FIG. 1 is a top perspective view of a dining table of the present design.
FIG. 2 is a bottom exploded perspective view of the dining table of FIG. 1.
FIG. 3 is a front elevation view of the dining table of FIG. 1.
FIG. 4 is a rear elevation view of the dining table of FIG. 1.
FIG. 5 is a left side elevation view of the dining table of FIG. 1.
FIG. 6 is a right side elevation view of the dining table of FIG. 1.
FIG. 7 is a top plan view of the dining table of FIG. 1; and, FIG. 8 is a bottom plan view of the dining table of FIG. 1. The broken lines depict portions of the article that form no part of the claimed design.

1 Claim, 6 Drawing Sheets



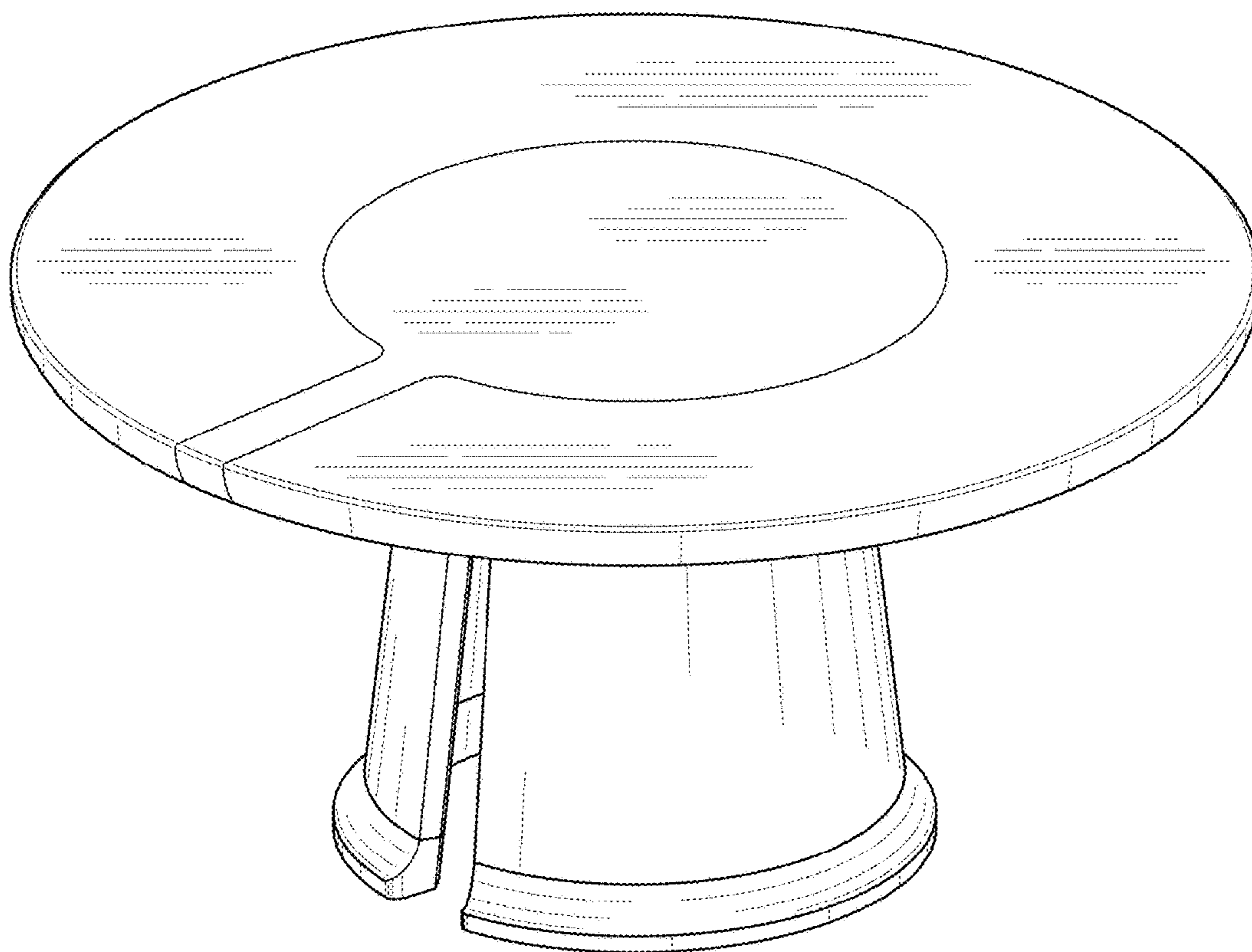


FIG. 1

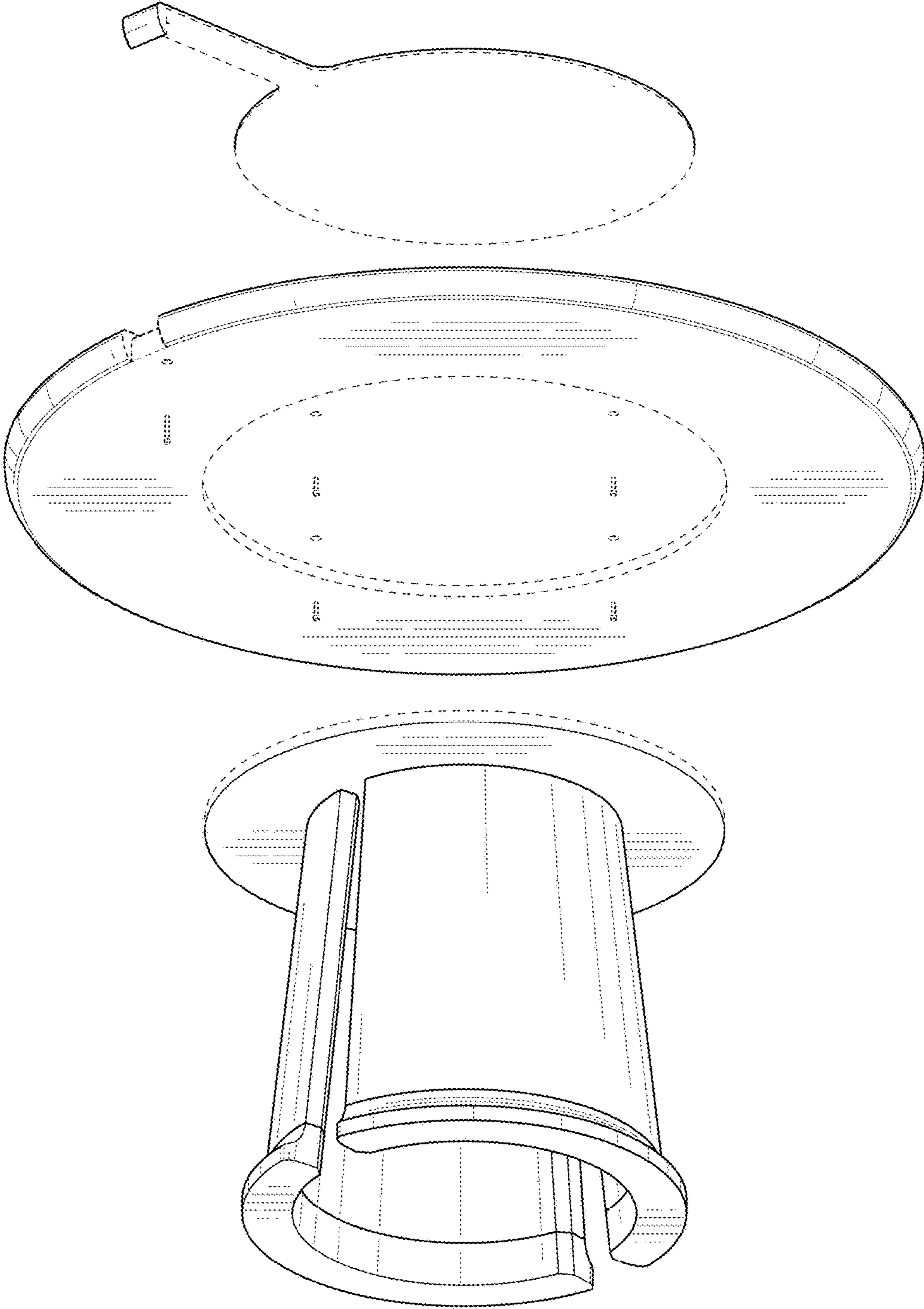


FIG. 2

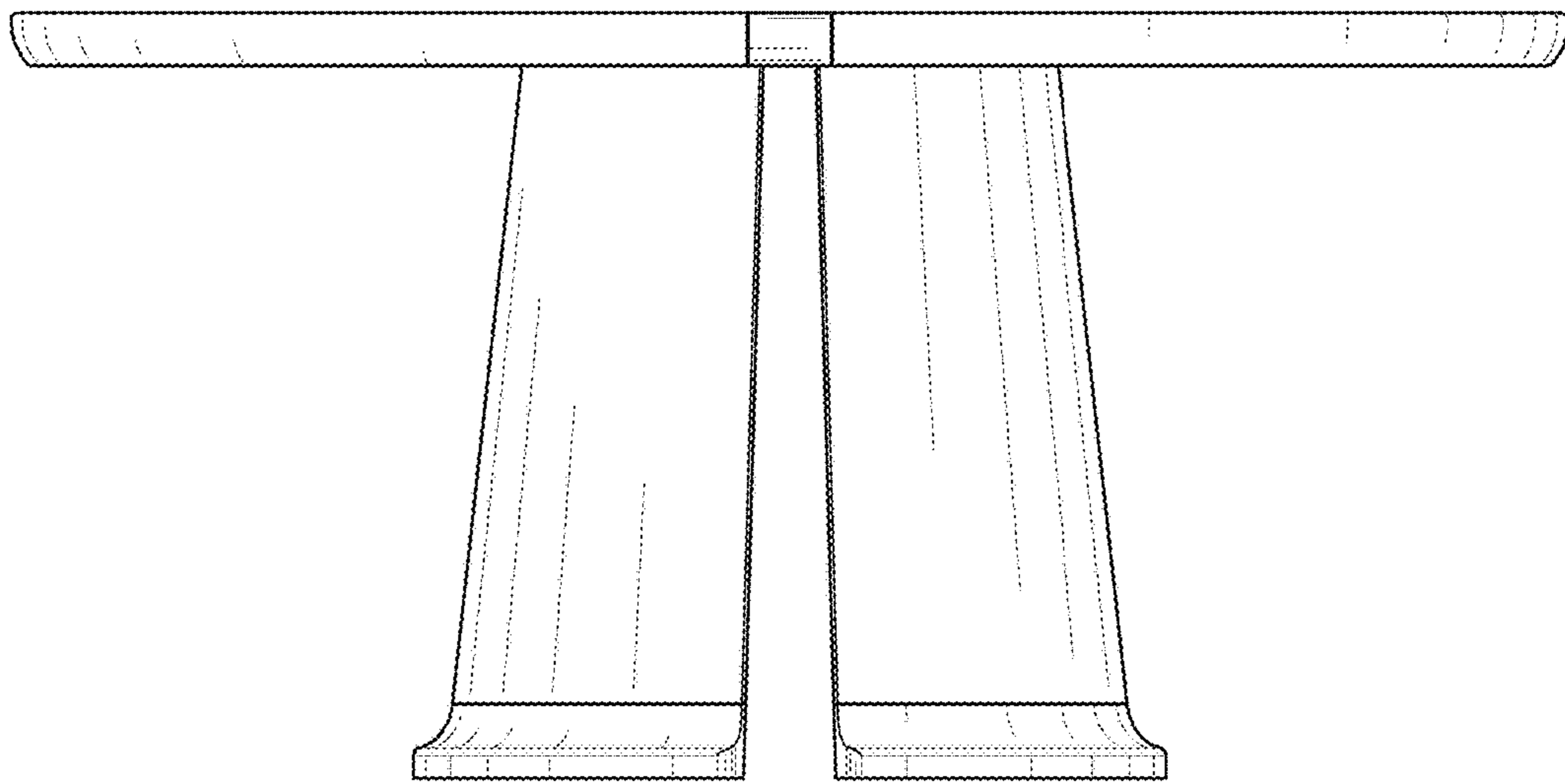


FIG. 3

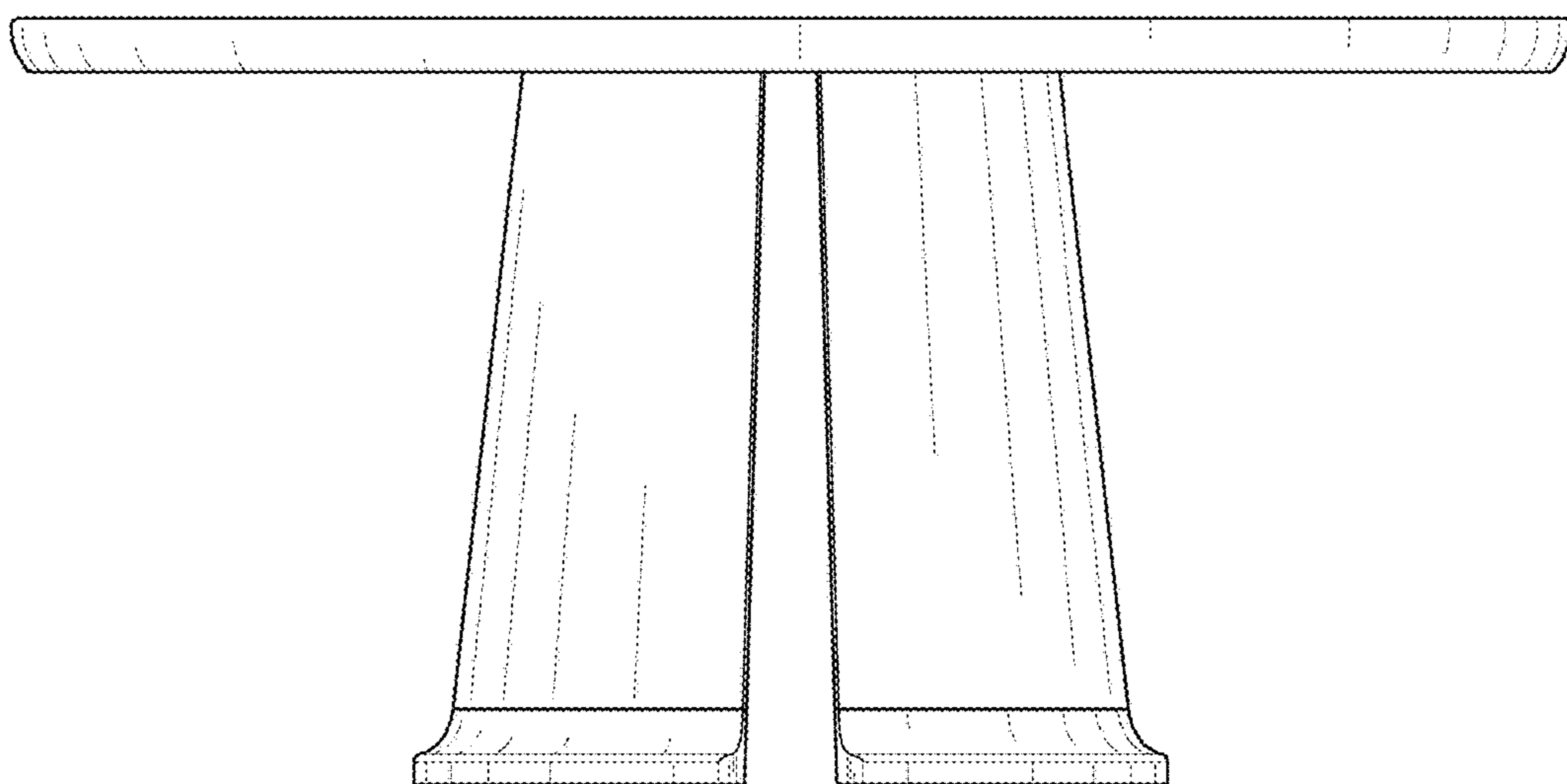


FIG. 4

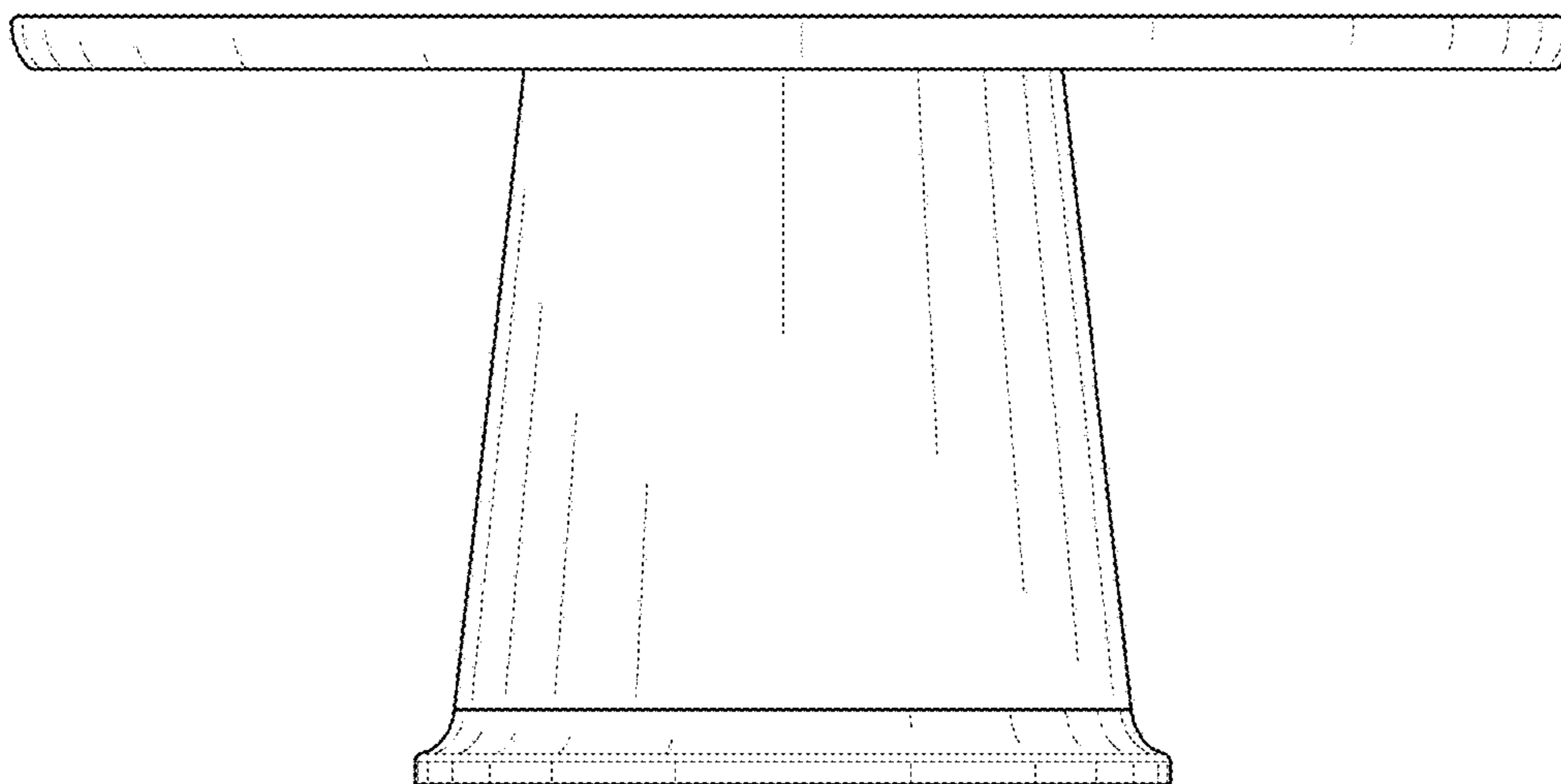


FIG. 5

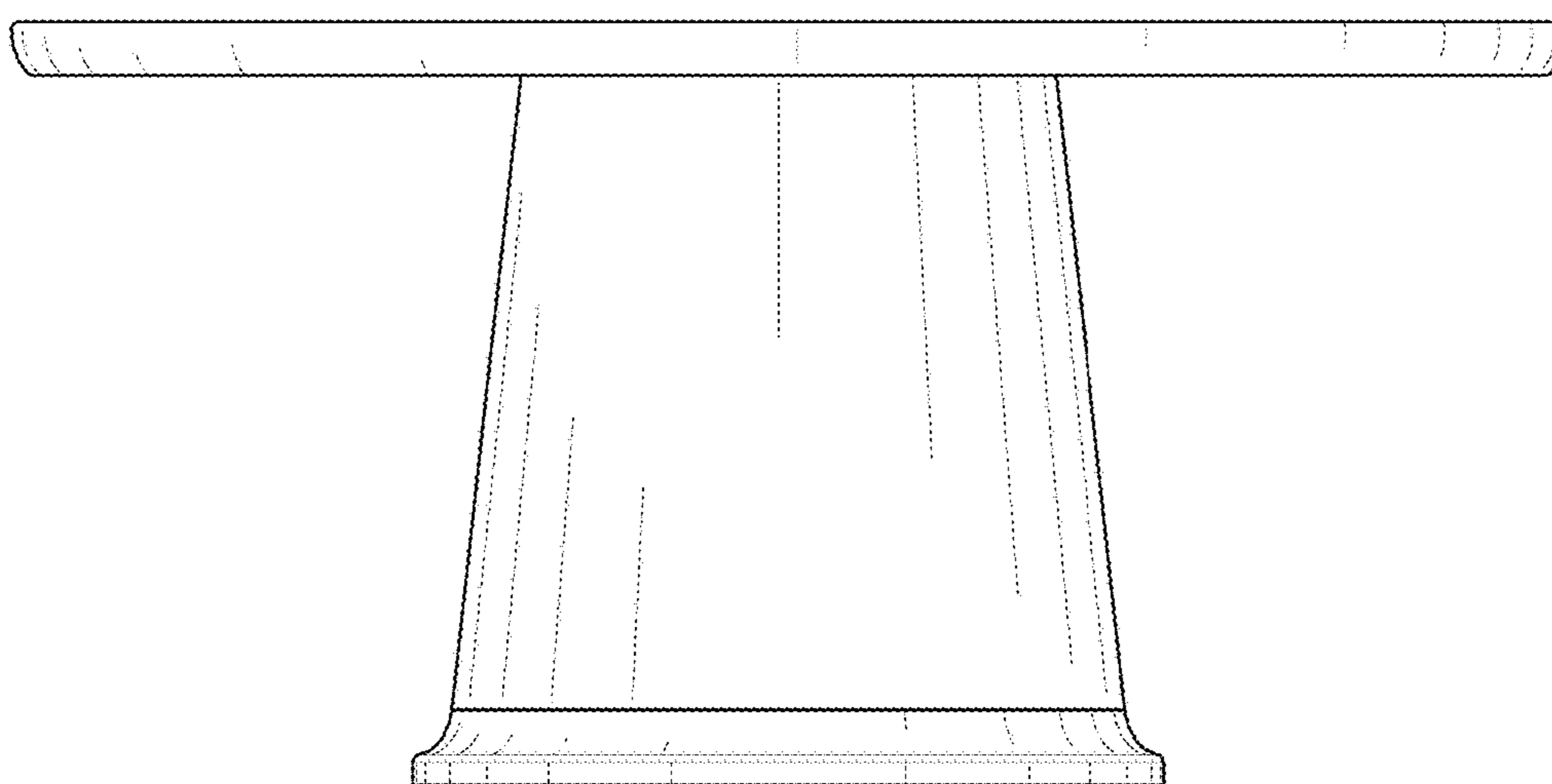


FIG. 6

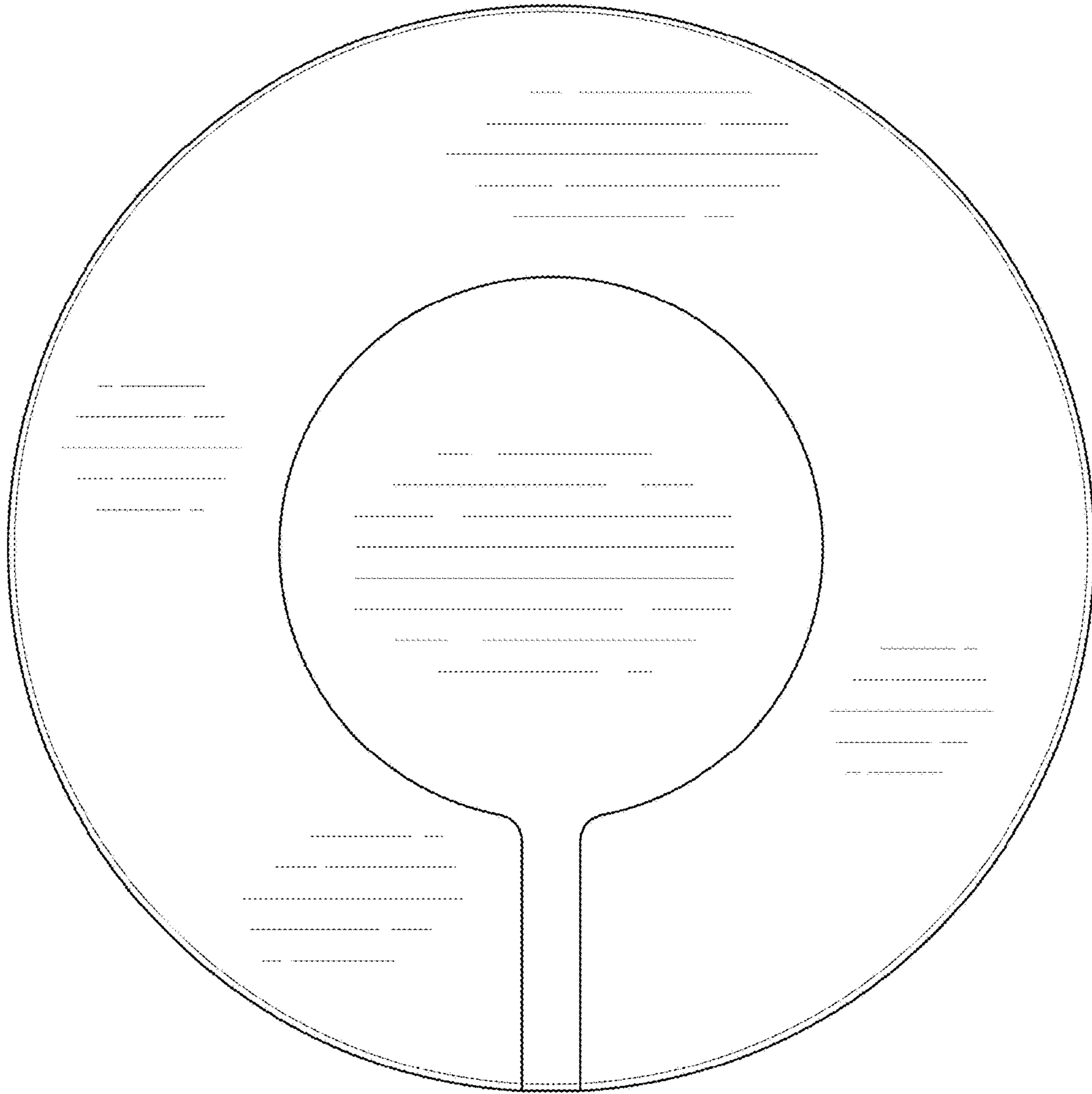


FIG. 7

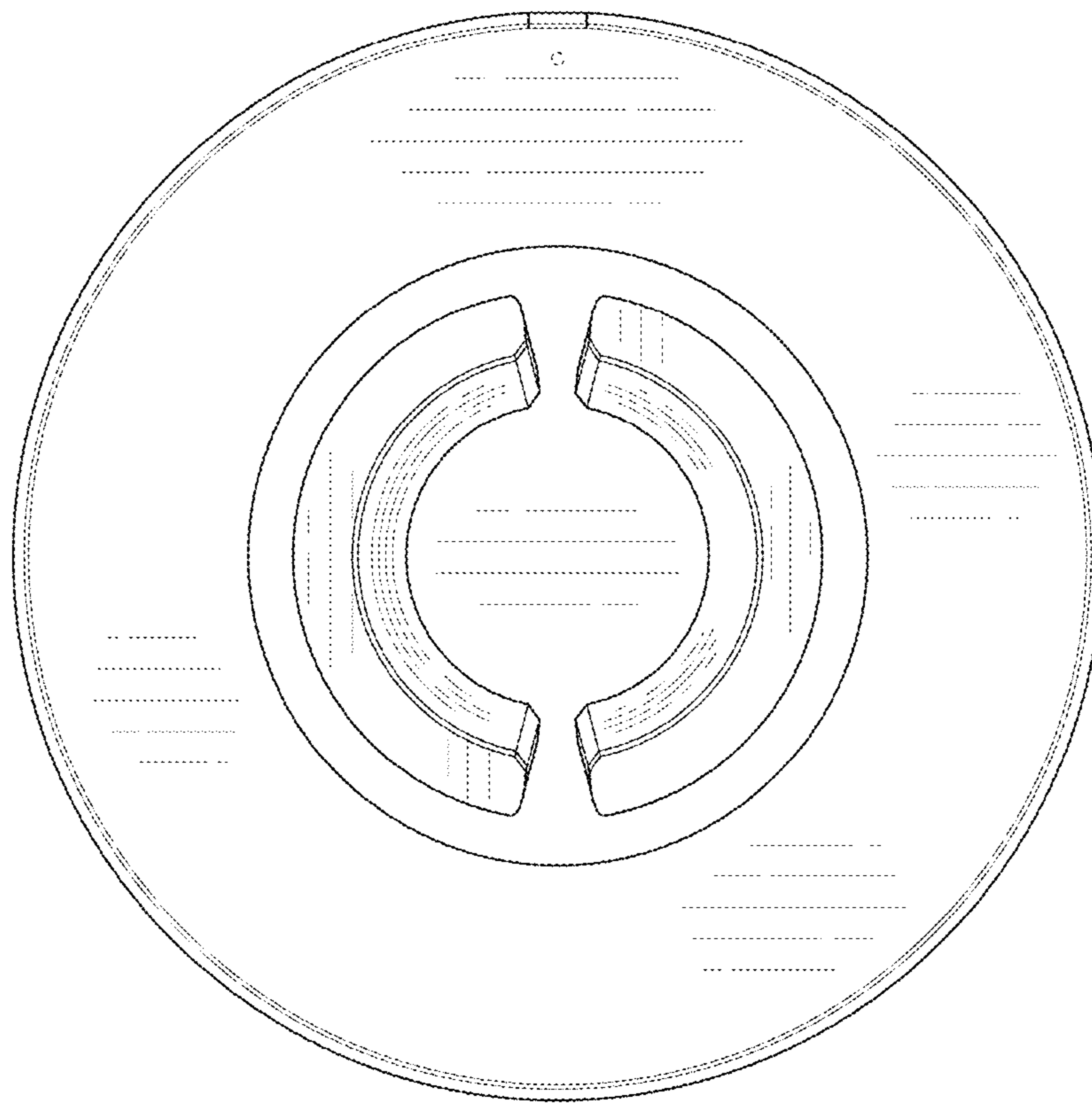


FIG. 8