

US00D799866S

(12) **United States Design Patent** (10) **Patent No.:** **US D799,866 S**
Pocci et al. (45) **Date of Patent:** **** Oct. 17, 2017**

(54) **TABLE**
(71) Applicant: **B 4 LIVING SPA**, Camerano (IT)
(72) Inventors: **Marco Pocci**, Colle di val d'Elsa (IT);
Claudio Dondoli, Colle di val d'Elsa (IT)
(73) Assignee: **B 4 LIVING SPA**, Camerano (IT)
(**) Term: **15 Years**
(21) Appl. No.: **29/557,468**
(22) Filed: **Mar. 9, 2016**
(51) **LOC (10) Cl.** **06-03**
(52) **U.S. Cl.**
USPC **D6/691.4**; D6/691.2
(58) **Field of Classification Search**
USPC D6/641, 656, 671, 675, 677, 685, 687,
D6/690, 691, 691.1, 691.2, 691.3, 691.4,
D6/691.5, 691.9, 693, 695, 695.2, 696,
D6/696.1, 697, 697.1, 698, 699, 699.2,
D6/703, 707, 708, 709, 709.2, 709.21
CPC A47B 7/00; A47B 13/08; A47B 13/10;
A47B 21/00; A47B 2009/006; A47B
11/00; A47B 2200/002
See application file for complete search history.

D487,155 S * 2/2004 Barber D25/61
D489,550 S * 5/2004 Berry D6/691.5
6,868,640 B2 * 3/2005 Barber A47B 13/02
108/150
D571,580 S * 6/2008 Prophet D6/691
D640,885 S * 7/2011 Clark D6/691
D661,923 S * 6/2012 McCracken D6/691
D675,847 S * 2/2013 Mehran D6/691
D688,901 S * 9/2013 Colson D6/656
D702,976 S * 4/2014 Mark D6/708
D743,192 S * 11/2015 Davis D6/691.5
D770,208 S * 11/2016 Muller D6/708
D775,877 S * 1/2017 Lin D6/691
D775,884 S * 1/2017 Muller D6/708
D783,329 S * 4/2017 Merritt D6/708
D784,744 S * 4/2017 Burden D6/691
D790,893 S * 7/2017 Grossinger D6/691

* cited by examiner

Primary Examiner — Mary Ann Calabrese
Assistant Examiner — Sloan Rozin
(74) *Attorney, Agent, or Firm* — Egbert Law Offices,
PLLC

(57) **CLAIM**

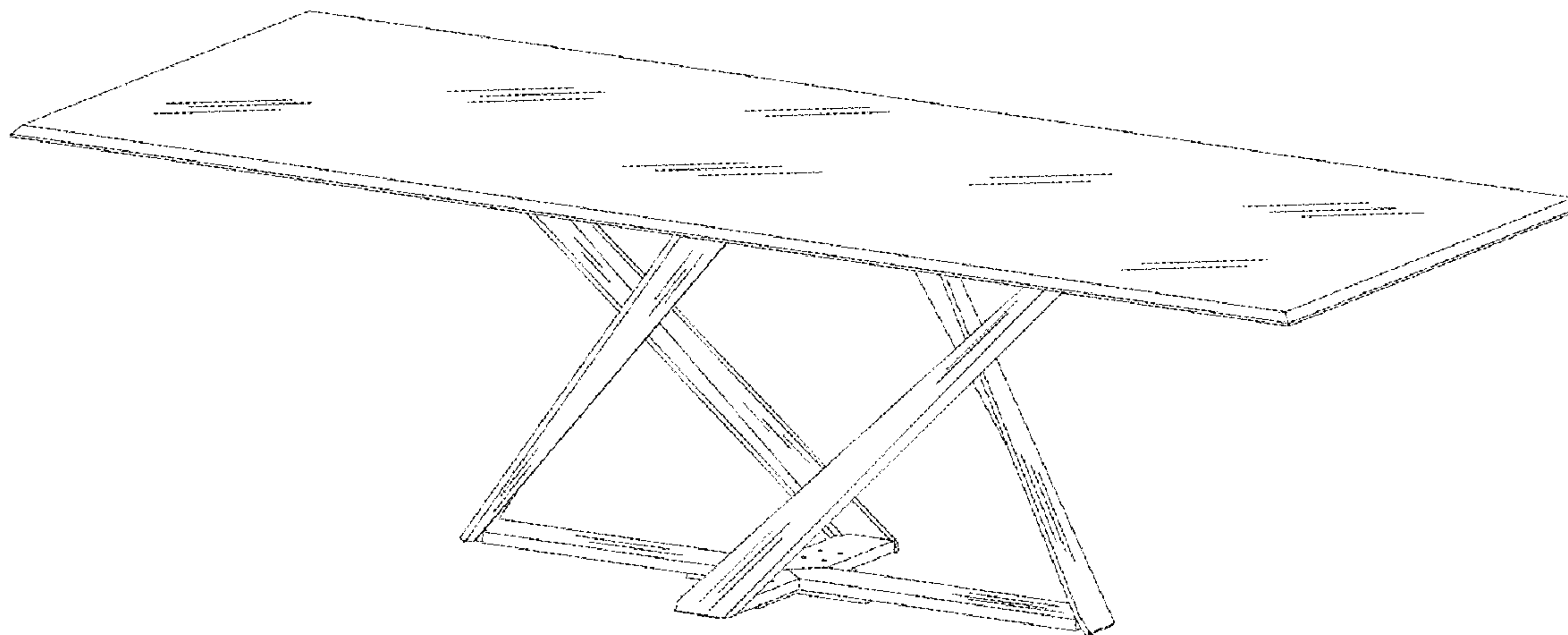
The ornamental design for a table, as shown and described.

DESCRIPTION

FIG. 1 is a front perspective view of a table showing our new design.
FIG. 2 is a rear perspective view thereof;
FIG. 3 is a side view thereof;
FIG. 4 is an opposite side view thereof;
FIG. 5 is a front view thereof;
FIG. 6 is a rear view thereof;
FIG. 7 is a top view thereof; and,
FIG. 8 is a bottom view thereof.

1 Claim, 4 Drawing Sheets

(56) **References Cited**
U.S. PATENT DOCUMENTS
D205,361 S * 7/1966 Mark D6/708.16
D337,220 S * 7/1993 Bennett D6/692
D349,619 S * 8/1994 Li D6/708.16
D360,548 S * 7/1995 Laske D6/692
D396,974 S * 8/1998 D'Urbino D6/691
D416,148 S * 11/1999 Pagnon D6/691
D471,741 S * 3/2003 Barber D6/691.7



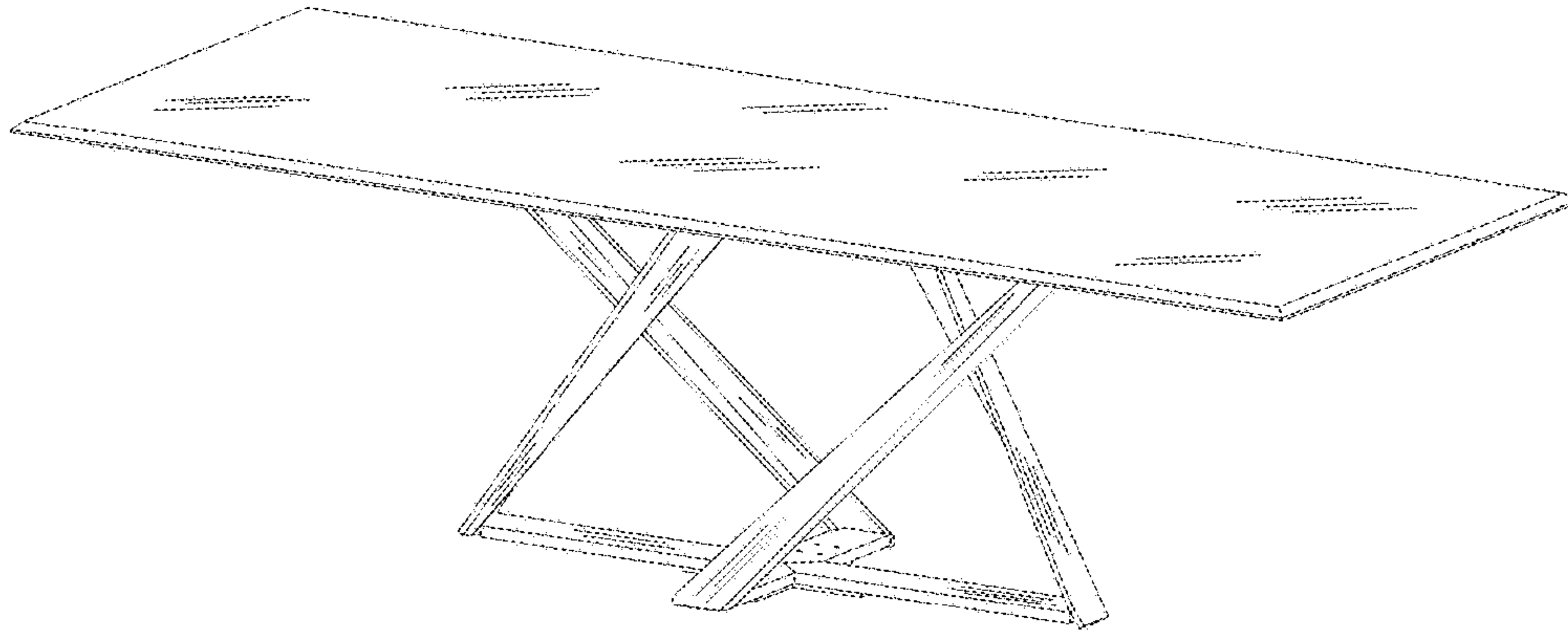


Fig. 1

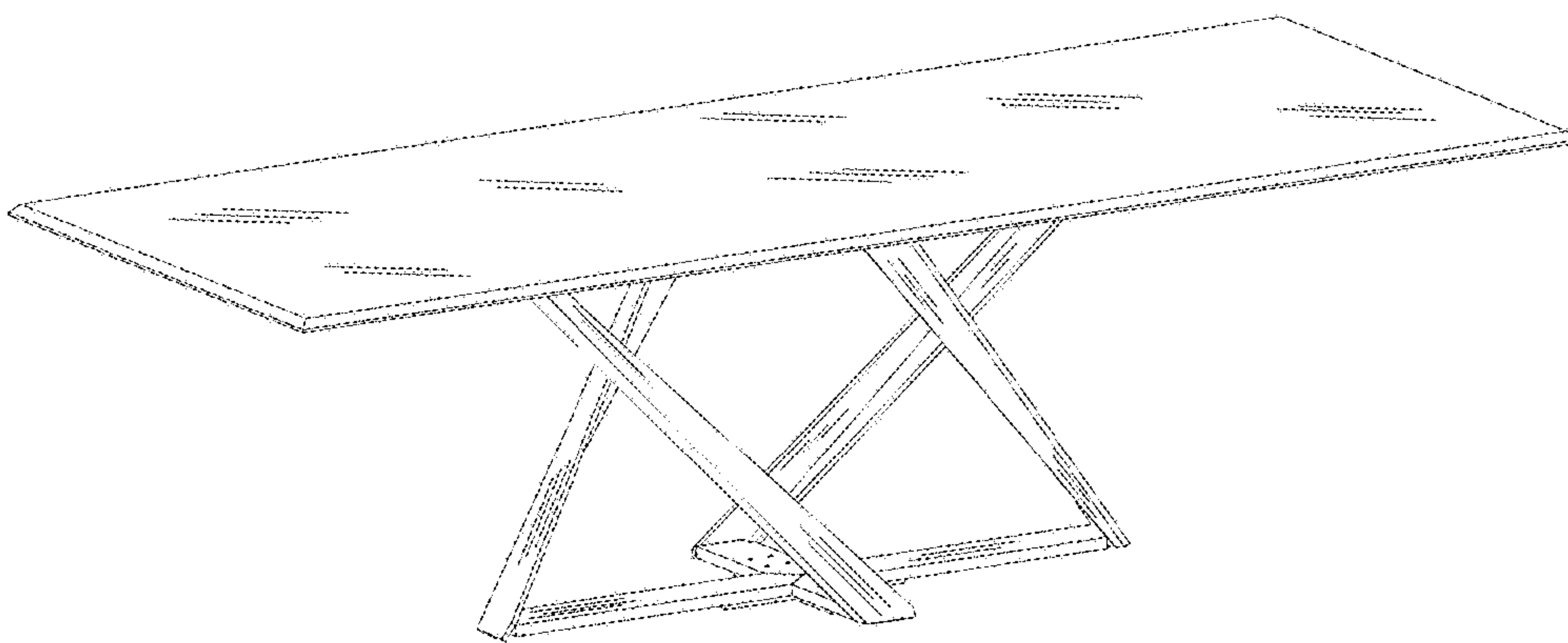


Fig. 2

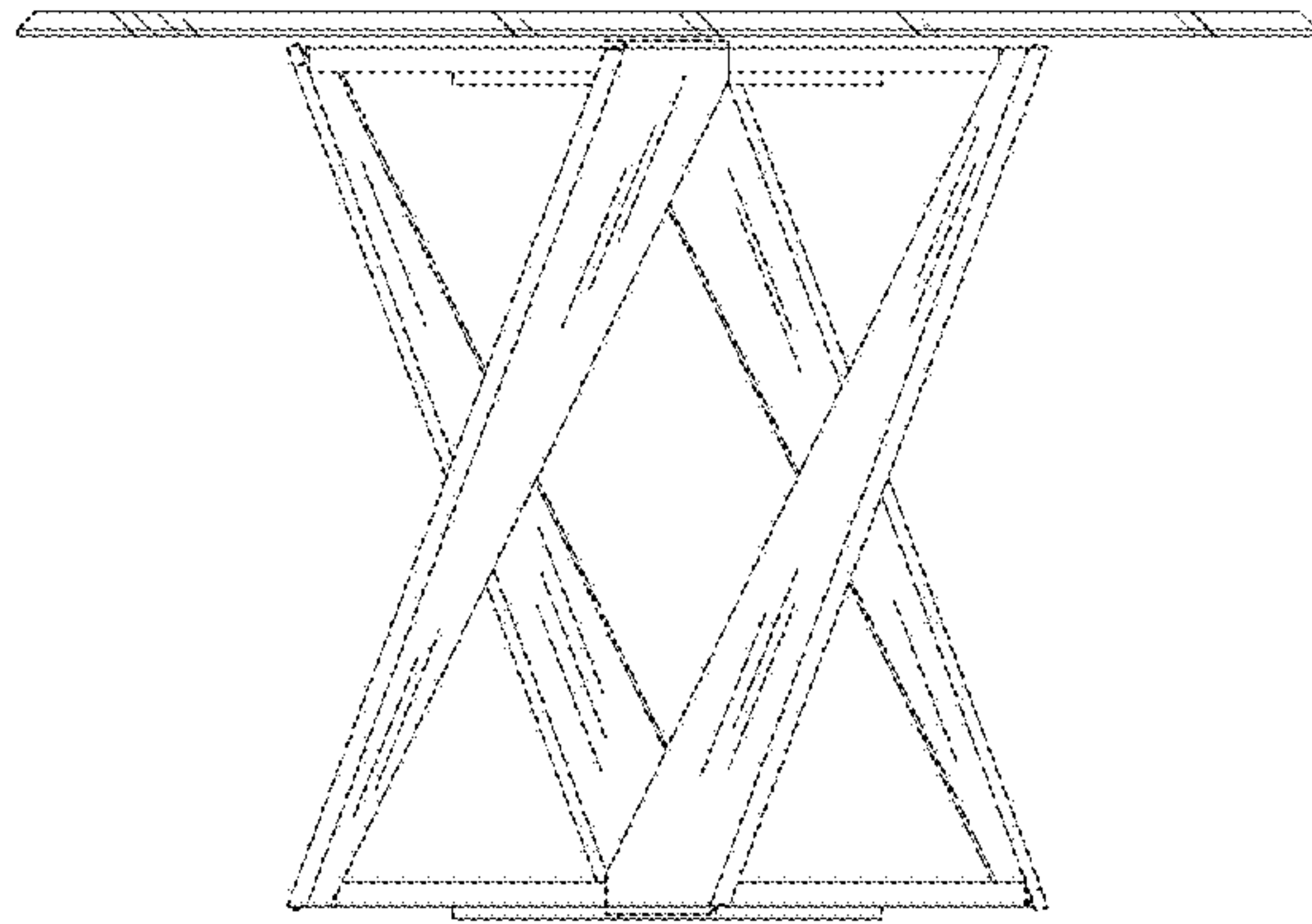


Fig.3

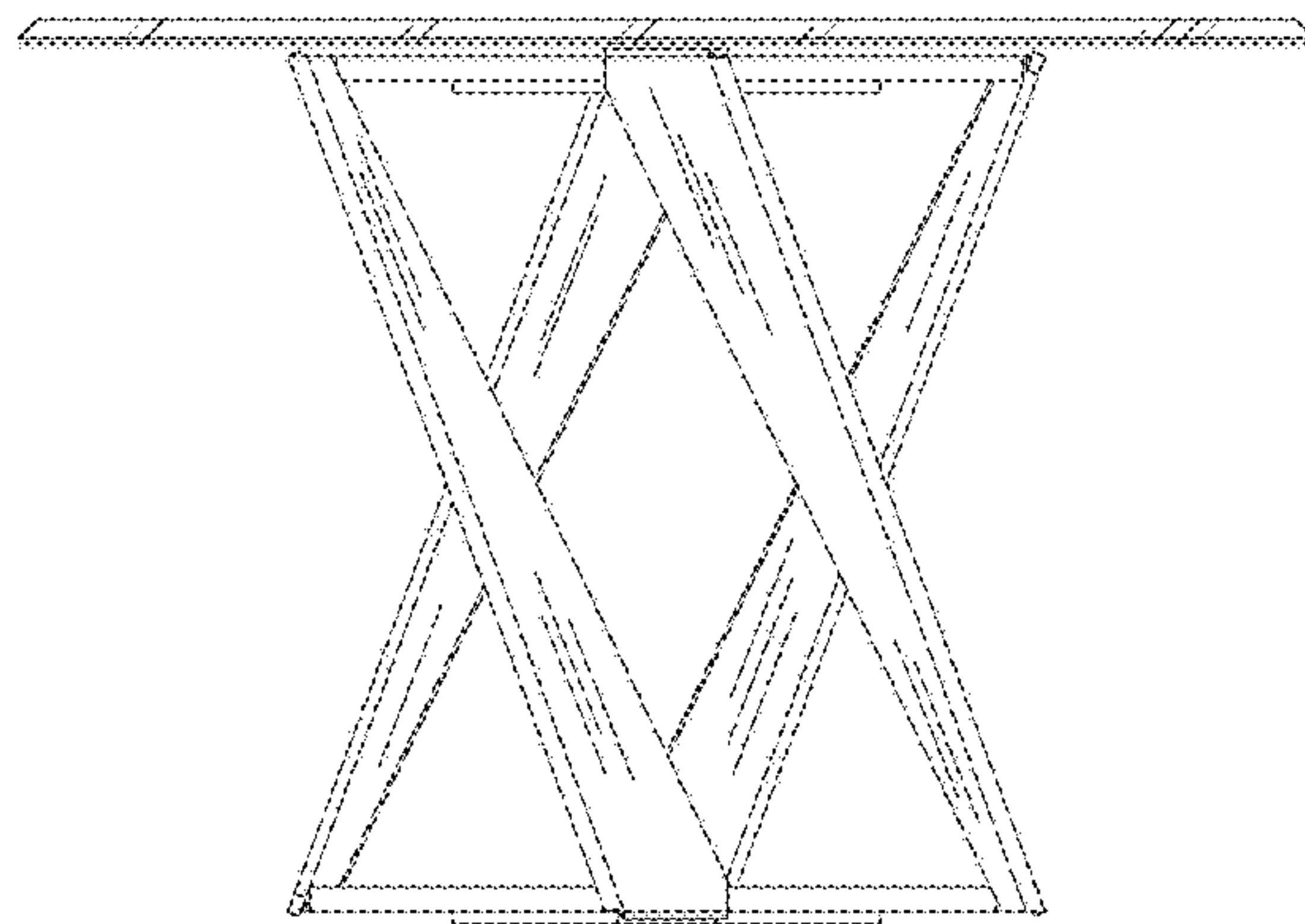


Fig.4

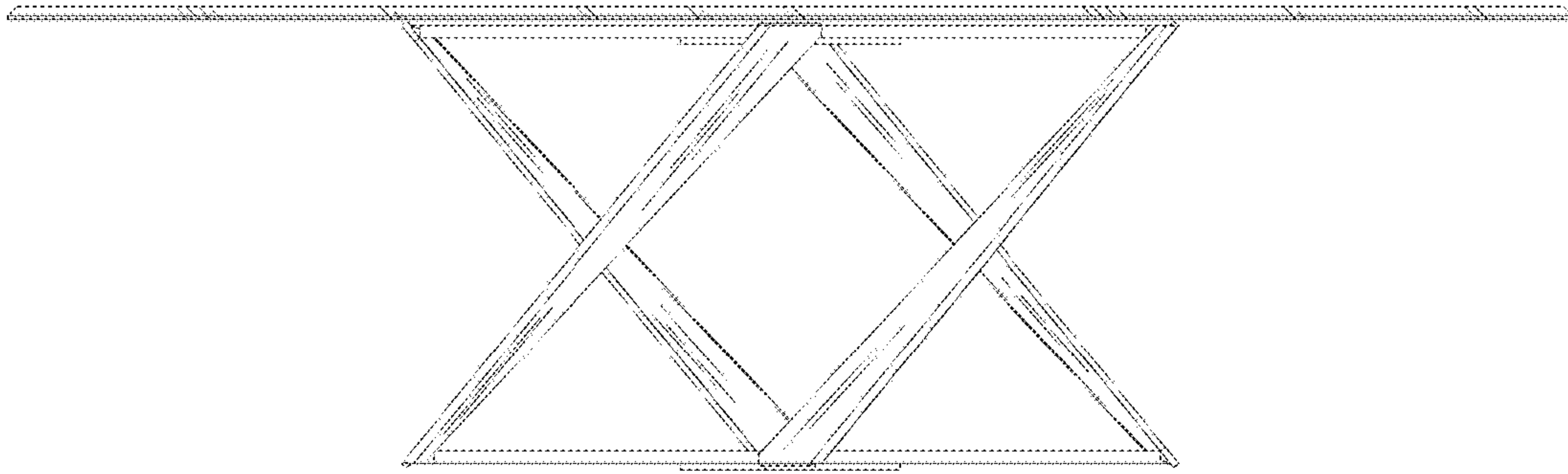


Fig. 5

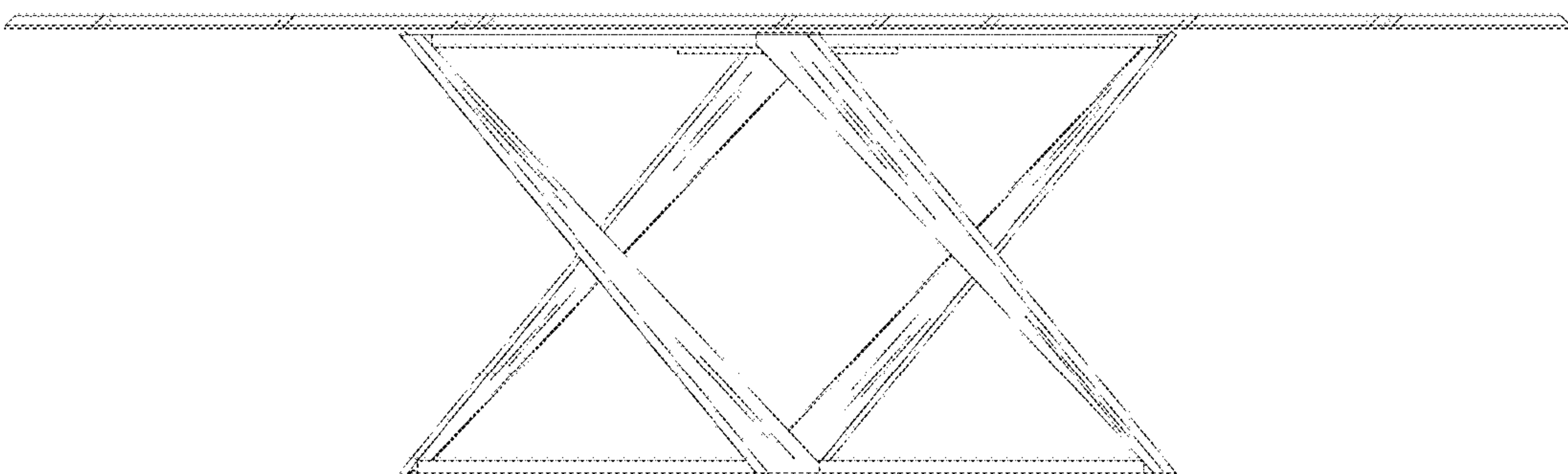


Fig. 6

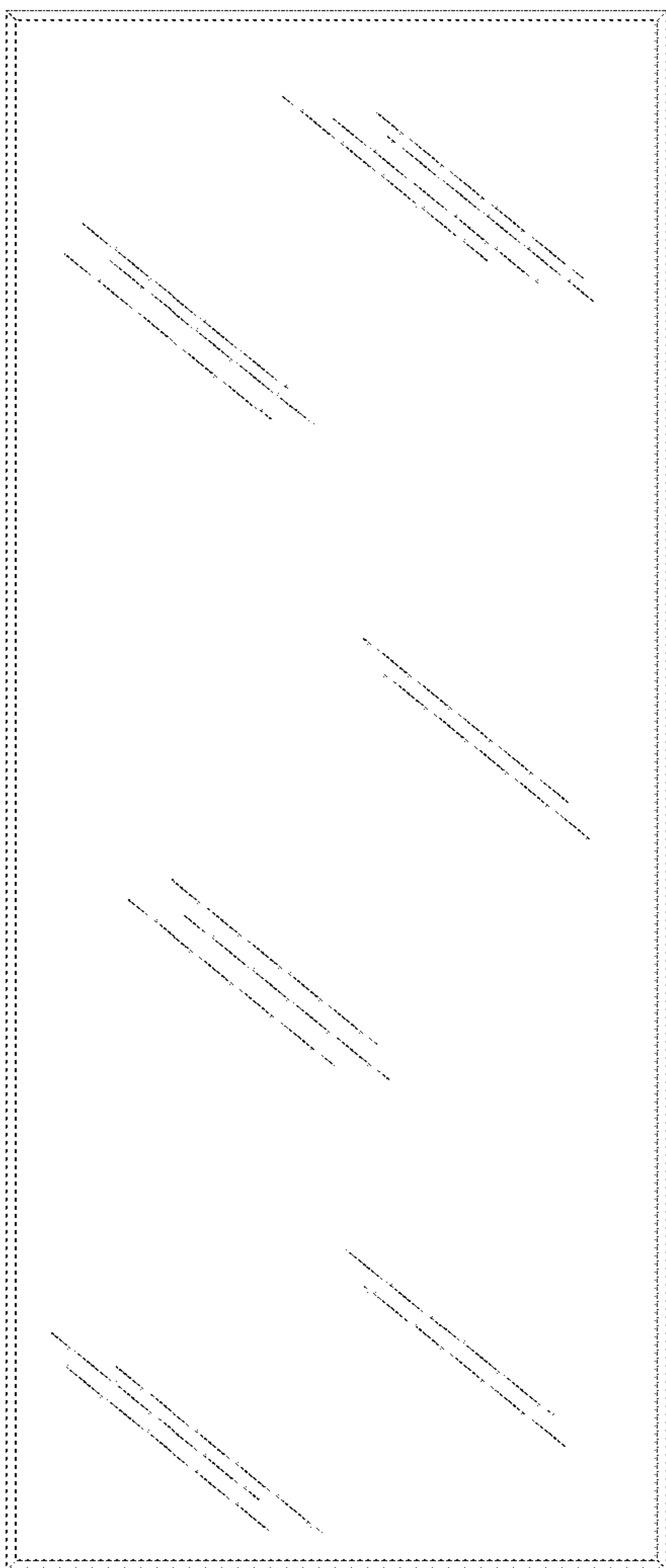


Fig. 7

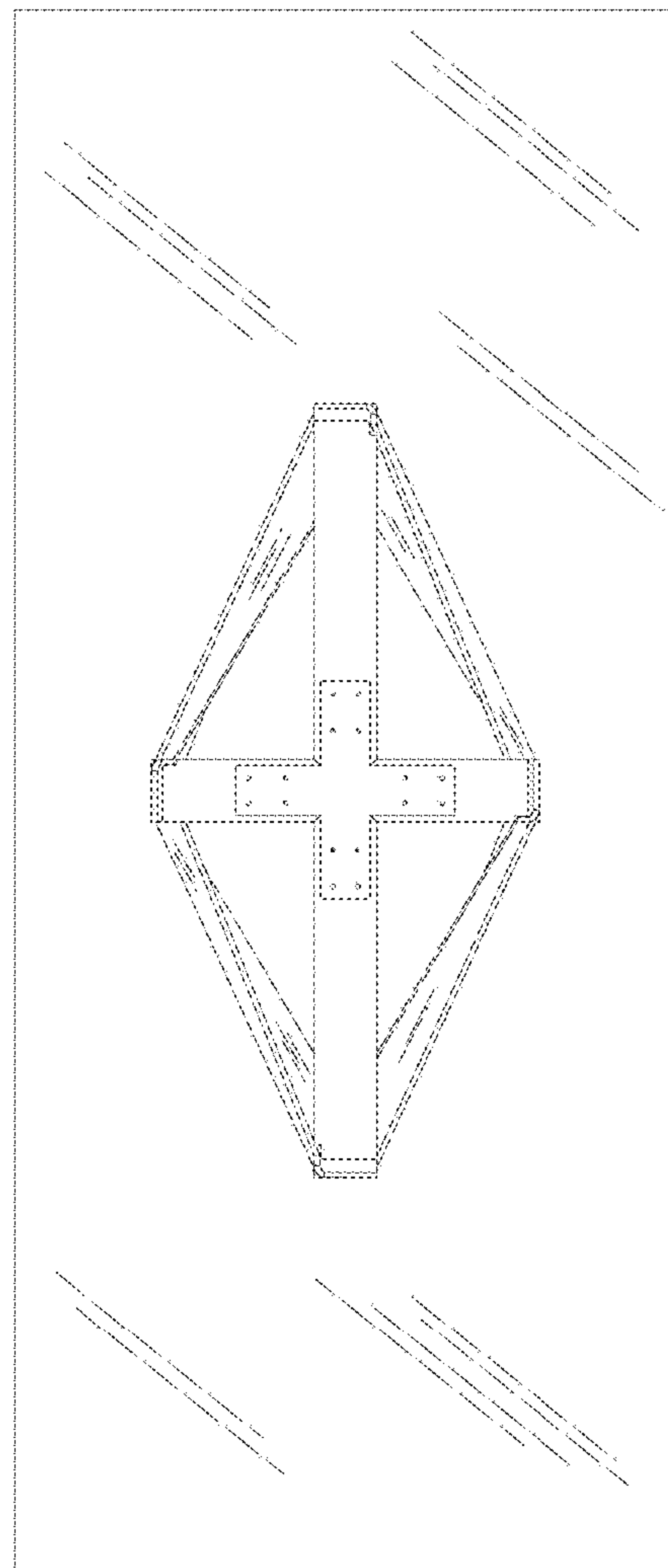


Fig. 8