

US00D799865S

(12) **United States Design Patent**
Pocci et al.

(10) **Patent No.:** **US D799,865 S**
(45) **Date of Patent:** **** Oct. 17, 2017**

- (54) **TABLE**
- (71) Applicant: **B 4 LIVING SPA**, Camerano (IT)
- (72) Inventors: **Marco Pocci**, Colle di val d'Elsa (IT);
Claudio Dondoli, Colle di val d'Elsa (IT)
- (73) Assignee: **B 4 LIVING SPA**, Camerano (IT)
- (**) Term: **15 Years**
- (21) Appl. No.: **29/557,465**
- (22) Filed: **Mar. 9, 2016**
- (51) **LOC (10) Cl.** **06-03**
- (52) **U.S. Cl.**
USPC **D6/691.4; D6/691.2**
- (58) **Field of Classification Search**
USPC D6/685, 687, 690, 691, 691.1, 691.2,
D6/691.3, 691.4, 691.5, 691.9, 693, 695,
D6/695.2, 696, 696.1, 697, 697.1, 698,
D6/699, 699.2, 703, 707, 708, 709, 709.2,
D6/709.21
CPC A47B 7/00; A47B 13/08; A47B 13/10;
A47B 21/00; A47B 2009/006; A47B
11/00; A47B 2200/002
See application file for complete search history.

D487,155 S *	2/2004	Barber	D25/61
D489,550 S *	5/2004	Berry	D6/691.5
6,868,640 B2 *	3/2005	Barber	A47B 13/02 108/150
D571,580 S *	6/2008	Prophet	D6/691
D640,885 S *	7/2011	Clark	D6/691
D661,923 S *	6/2012	McCracken	D6/691
D675,847 S *	2/2013	Mehran	D6/691
D688,901 S *	9/2013	Colson	D6/656
D702,976 S *	4/2014	Mark	D6/708
D743,192 S *	11/2015	Davis	D6/691.5
D770,208 S *	11/2016	Muller	D6/708
D775,877 S *	1/2017	Lin	D6/691
D775,884 S *	1/2017	Muller	D6/708
D783,329 S *	4/2017	Merritt	D6/708
D784,744 S *	4/2017	Burden	D6/691
D790,893 S *	7/2017	Grossinger	D6/691

* cited by examiner

Primary Examiner — Mary Ann Calabrese
Assistant Examiner — Sloan Rozin
(74) *Attorney, Agent, or Firm* — Egbert Law Offices,
PLLC

(57) **CLAIM**

The ornamental design for a table, as shown and described.

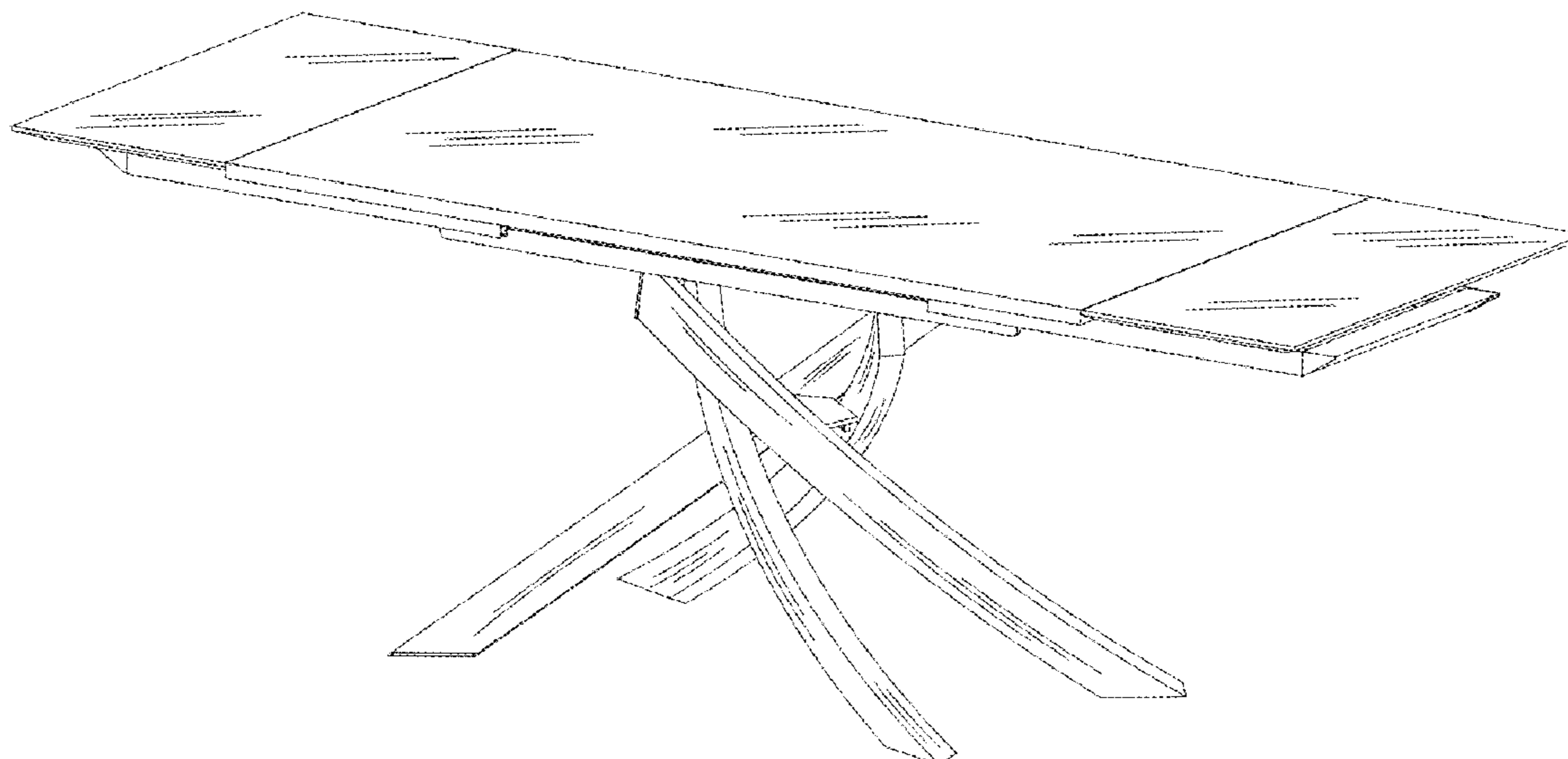
DESCRIPTION

FIG. 1 is a front perspective view of a table showing our new design.
FIG. 2 is a rear perspective view thereof;
FIG. 3 is a side view thereof;
FIG. 4 is an opposite side view thereof;
FIG. 5 is a front view thereof;
FIG. 6 is a rear view thereof;
FIG. 7 is a top view thereof; and,
FIG. 8 is a bottom view thereof.

1 Claim, 4 Drawing Sheets

(56) **References Cited**
U.S. PATENT DOCUMENTS

D205,361 S *	7/1966	Mark	D6/708.16
D337,220 S *	7/1993	Bennett	D6/692
D349,619 S *	8/1994	Li	D6/708.16
D360,548 S *	7/1995	Laske	D6/692
D396,974 S *	8/1998	D'Urbino	D6/691
D416,148 S *	11/1999	Pagnon	D6/691
D471,741 S *	3/2003	Barber	D6/691.7



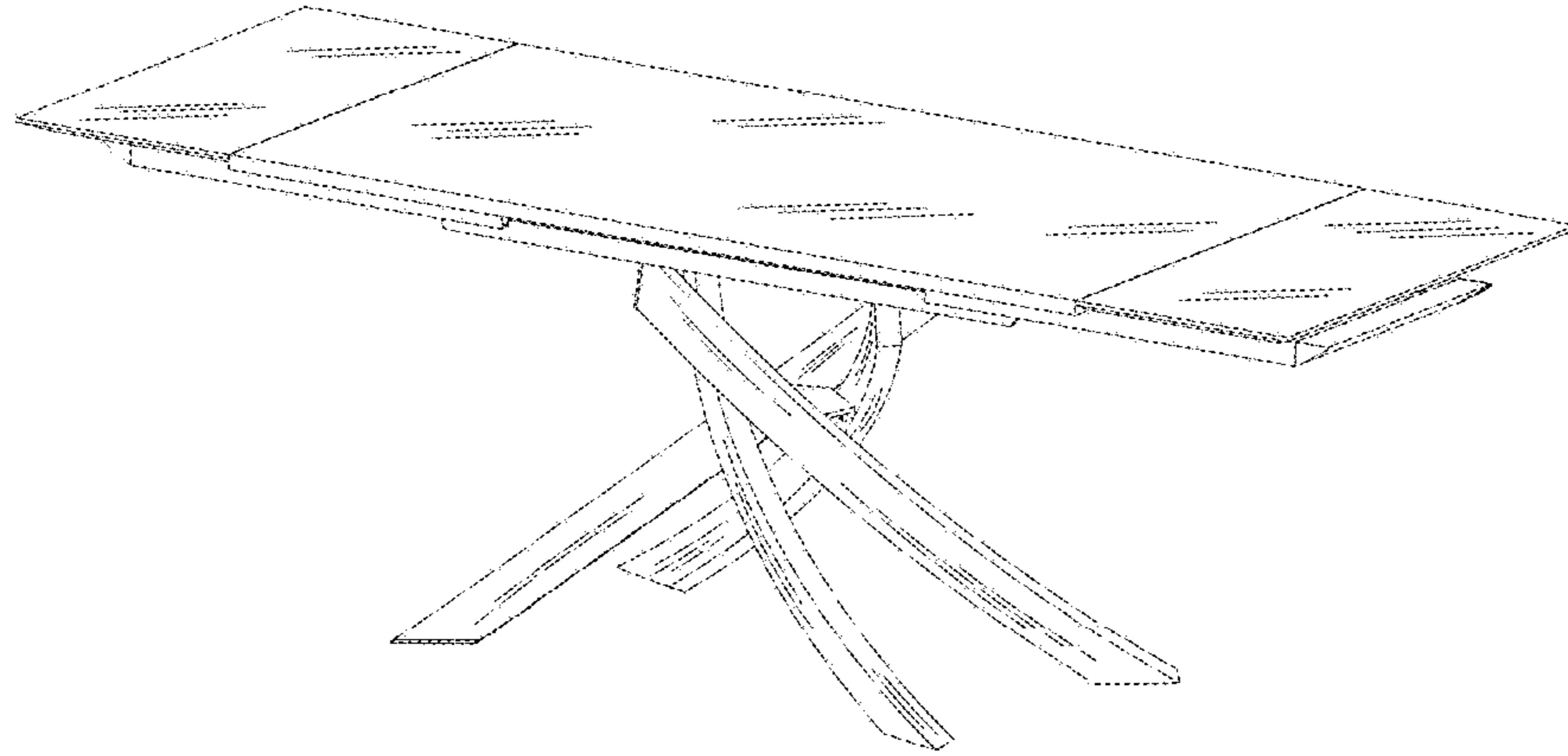


Fig. 1

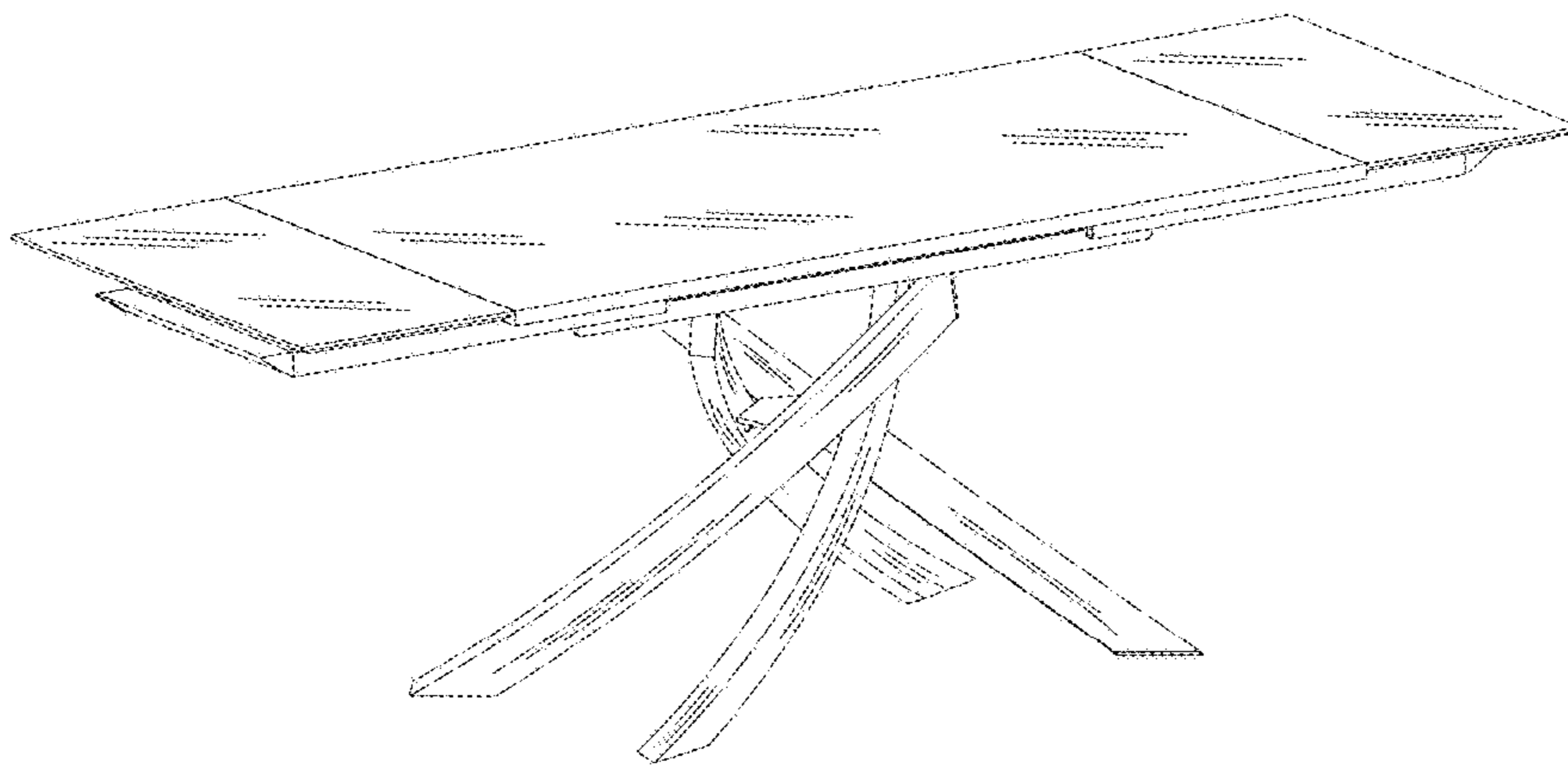


Fig. 2

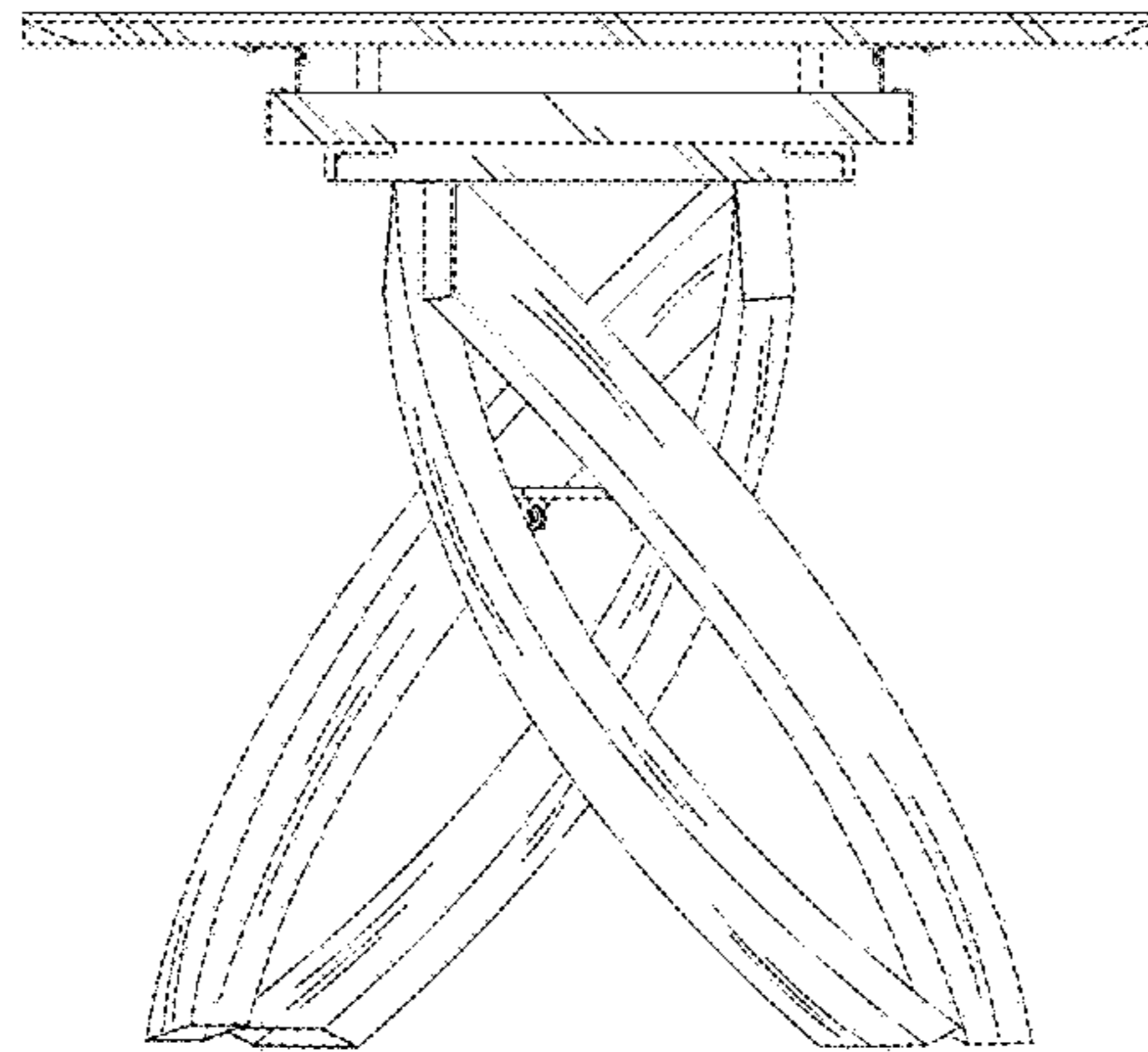


Fig.3

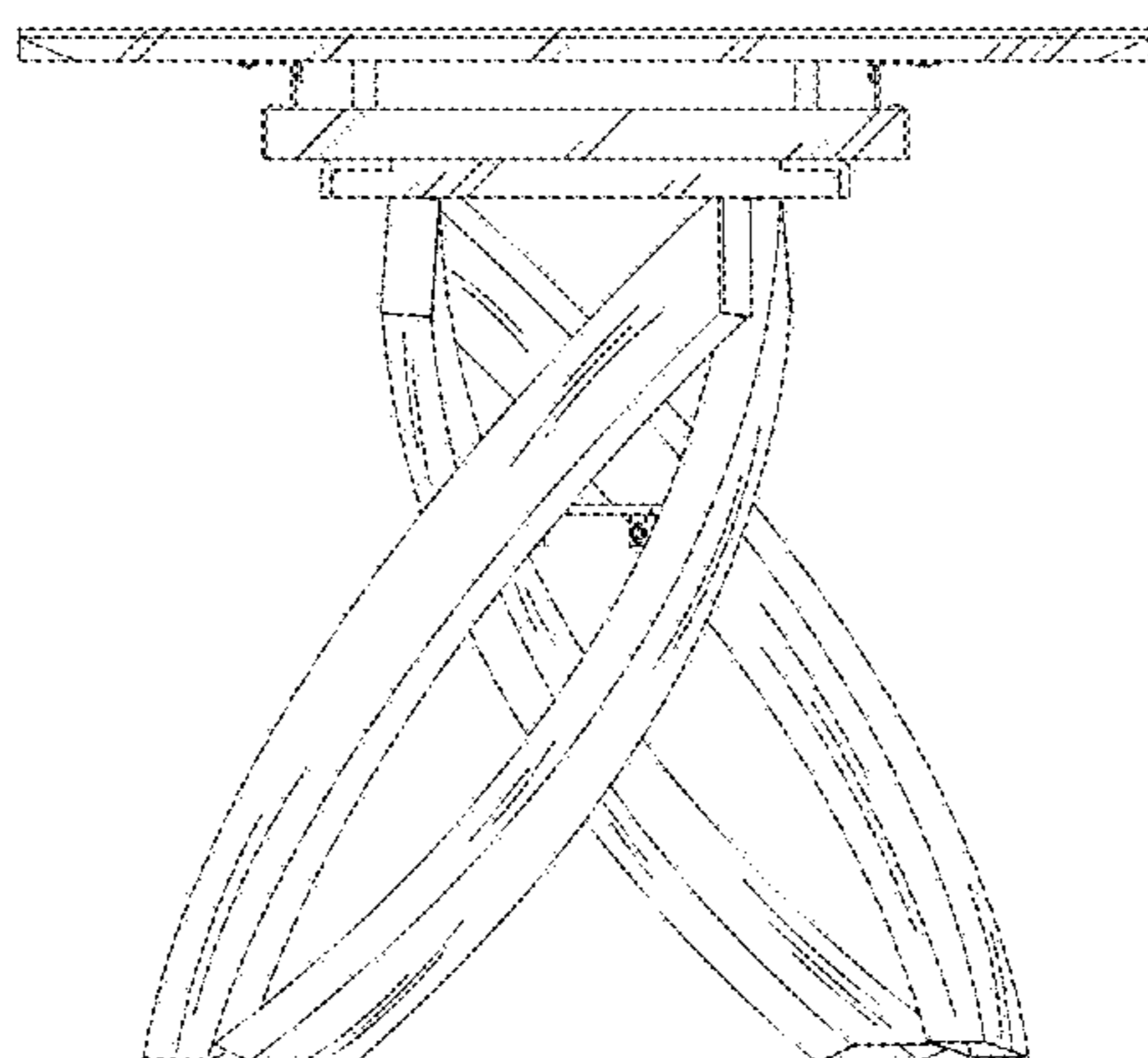


Fig.4

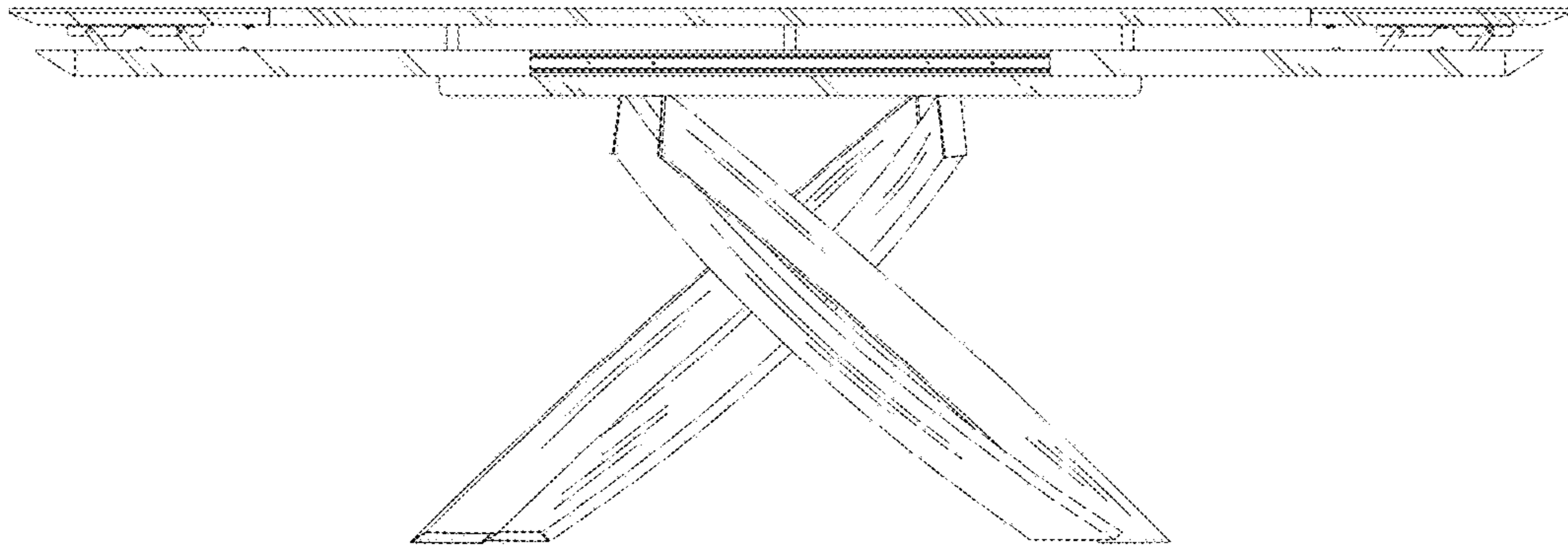


Fig.5

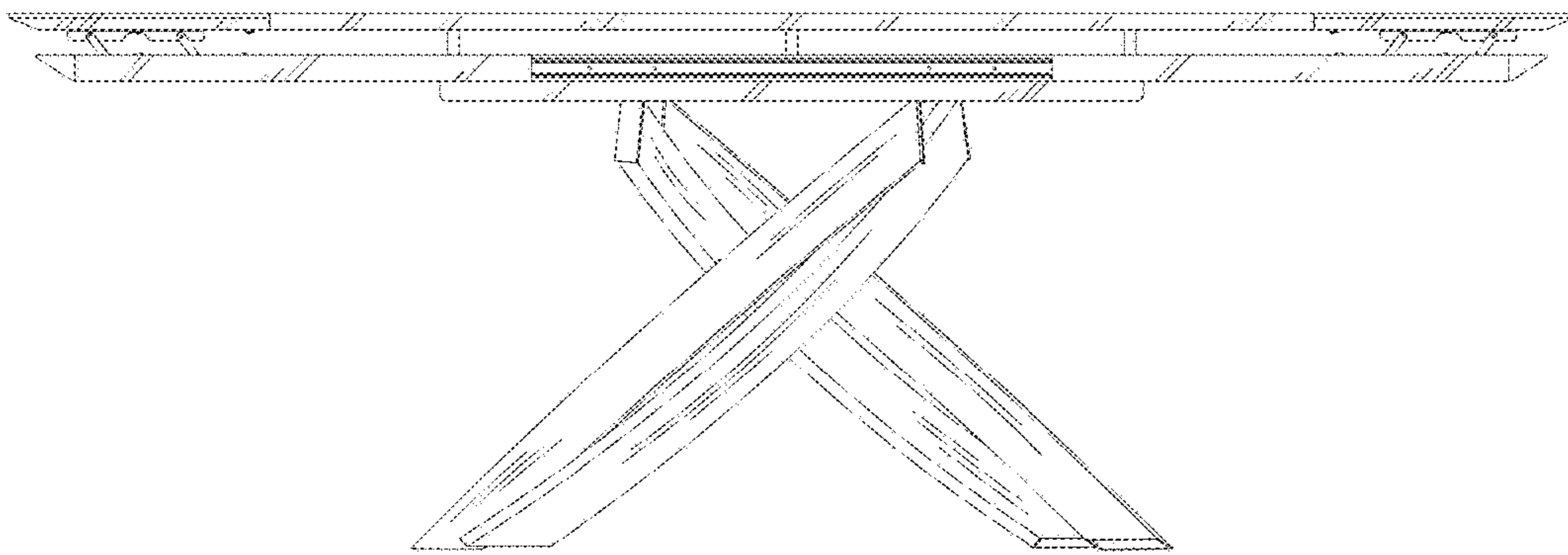


Fig.6

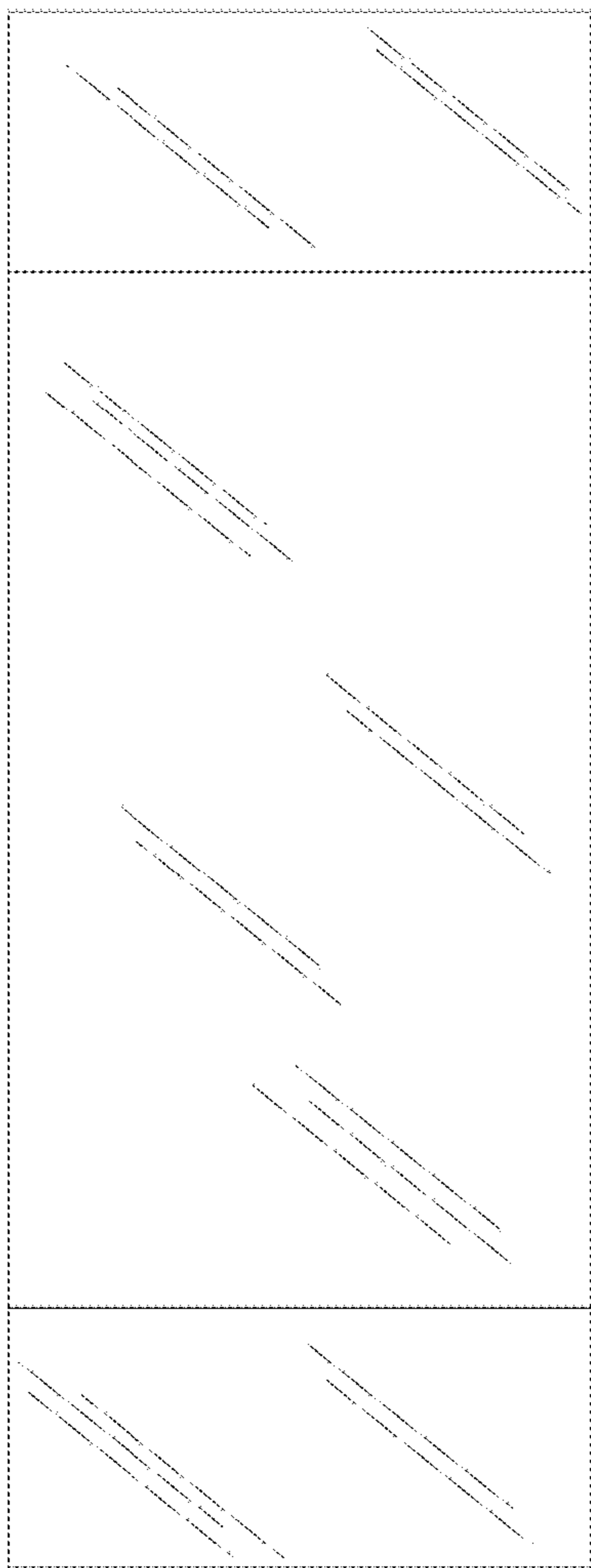


Fig. 7

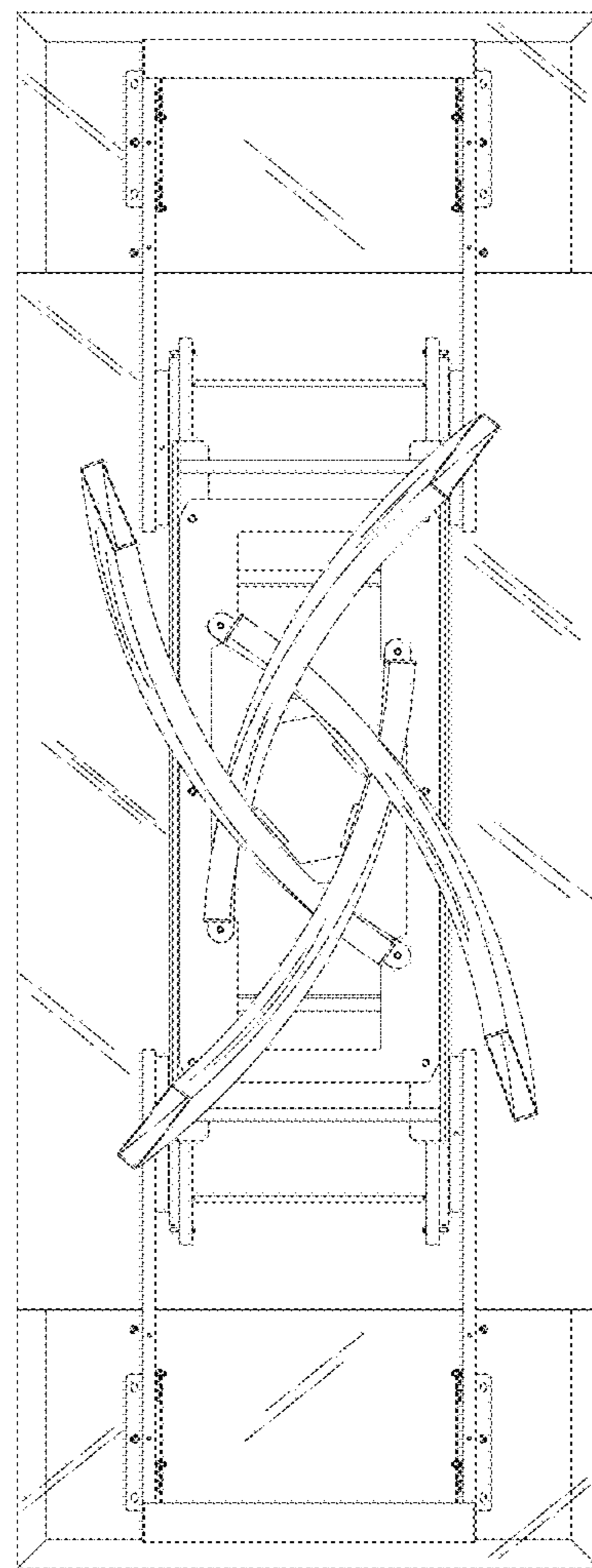


Fig. 8