



US00D799862S

(12) **United States Design Patent**
Laumerich et al.

(10) **Patent No.:** **US D799,862 S**
(45) **Date of Patent:** **** Oct. 17, 2017**

- (54) **OFFICE ORGANIZER RACK**
- (71) Applicant: **Kesseböhmer Holding e.K.**, Bad Essen (DE)
- (72) Inventors: **Volker Laumerich**, Bissendorf (DE); **Arthur Wolf**, Bad Essen (DE); **Frank Martling**, Bad Essen (DE)
- (73) Assignee: **Kesseböhmer Holding KG**, Bad Essen (DE)
- (**) Term: **14 Years**
- (21) Appl. No.: **29/524,361**
- (22) Filed: **Apr. 20, 2015**

- 4,124,262 A * 11/1978 Schill A47B 49/004
16/378
- D365,225 S * 12/1995 Poortvliet D6/671.1
- 5,486,041 A * 1/1996 Sykes A47B 87/007
312/108
- 5,494,347 A * 2/1996 Poortvliet A47B 49/00
312/249.2
- 5,505,319 A * 4/1996 Todd, Jr. A47F 5/04
211/163
- D467,863 S * 12/2002 Boerret D12/423
- 7,175,034 B2 * 2/2007 Nook A47F 5/0807
211/189
- D559,567 S * 1/2008 Amezola Portuondo D6/332
- D560,073 S * 1/2008 Amezola Portuondo D6/332
- 7,530,652 B2 * 5/2009 Lodge A47B 49/004
312/198
- D692,696 S * 11/2013 Bergmann D6/642
- D754,991 S * 5/2016 Gosling D6/664

* cited by examiner

(30) **Foreign Application Priority Data**

- Oct. 21, 2014 (EM) 001423420
- (51) **LOC (10) Cl.** **06-06**
- (52) **U.S. Cl.**
USPC **D6/675**
- (58) **Field of Classification Search**
USPC D6/672, 672.1, 675, 675.1; D19/65, 75
CPC A47B 3/00; A47B 57/00; A47B 63/00;
A47B 85/00; A47B 46/00; A47B 47/02;
A47B 47/021
See application file for complete search history.

Primary Examiner — Kelley Donnelly
(74) *Attorney, Agent, or Firm* — Gudrun E. Huckett

(57) **CLAIM**

The ornamental design for an office organizer rack, as shown and described.

DESCRIPTION

FIG. 1 is a front perspective view of an embodiment of our office organizer rack showing drawers in a pulled-put or partially pulled out position and a partially opened door; FIG. 2 is a rear perspective view thereof; FIG. 3 is a rear elevation view thereof; FIG. 4 is a front elevation view thereof; FIG. 5 is a side elevation view thereof; and, FIG. 6 is a top plan view thereof.

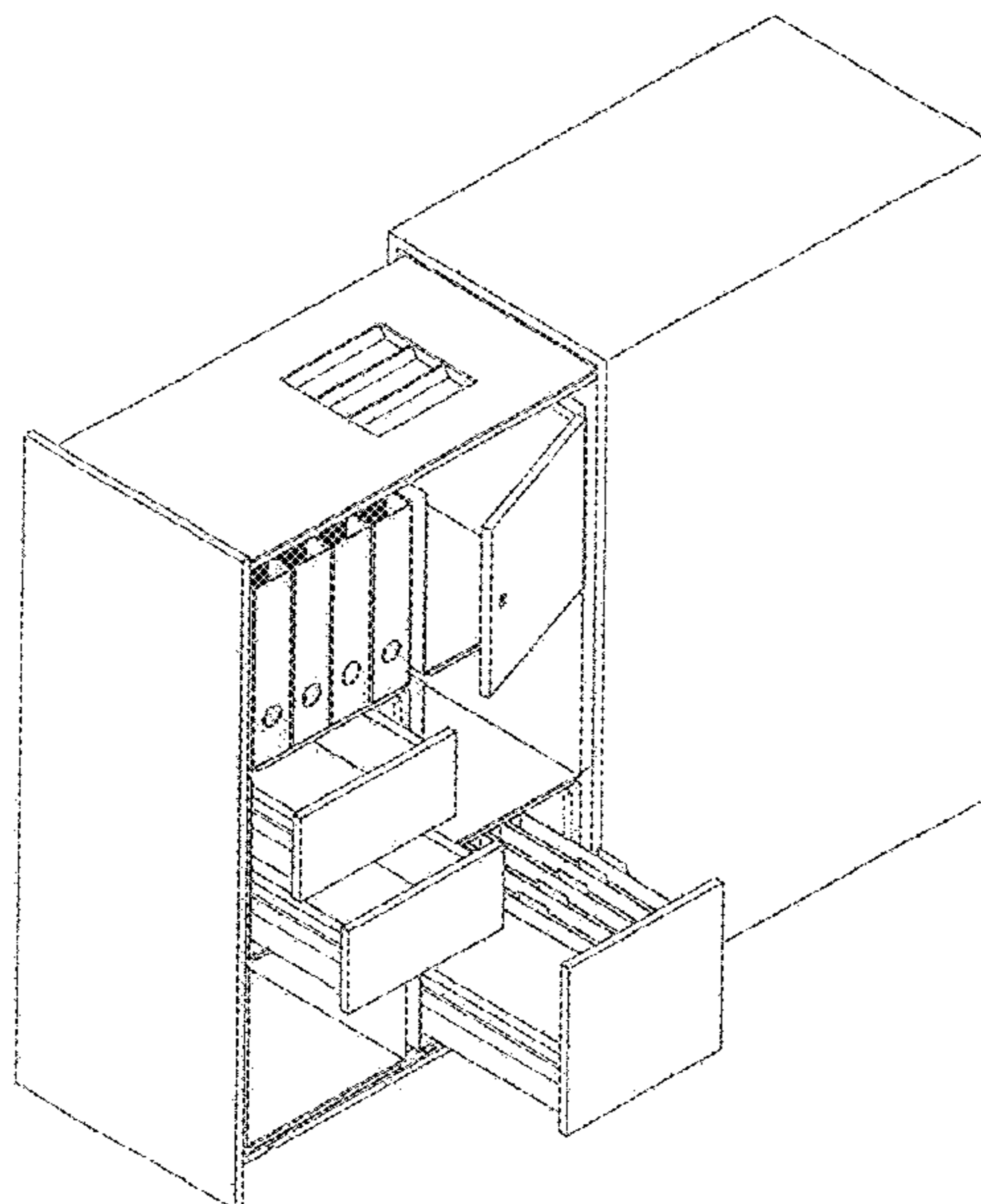
Broken line areas in the illustrations form no part of the claimed design.

(56) **References Cited**

U.S. PATENT DOCUMENTS

- 3,172,712 A * 3/1965 Allen A47B 49/004
312/197
- 3,868,157 A * 2/1975 Robinson A47B 49/004
312/125

1 Claim, 6 Drawing Sheets



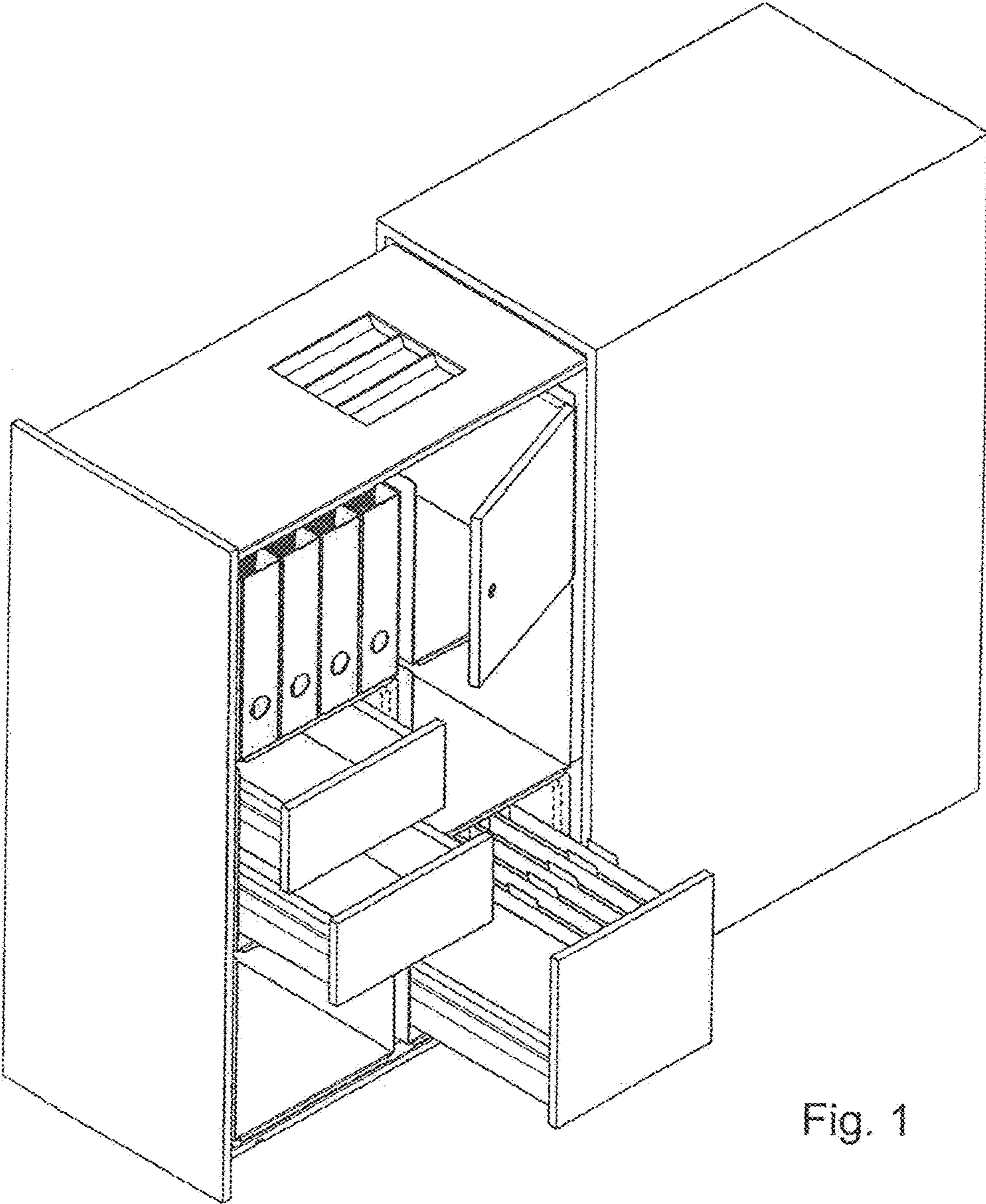


Fig. 1

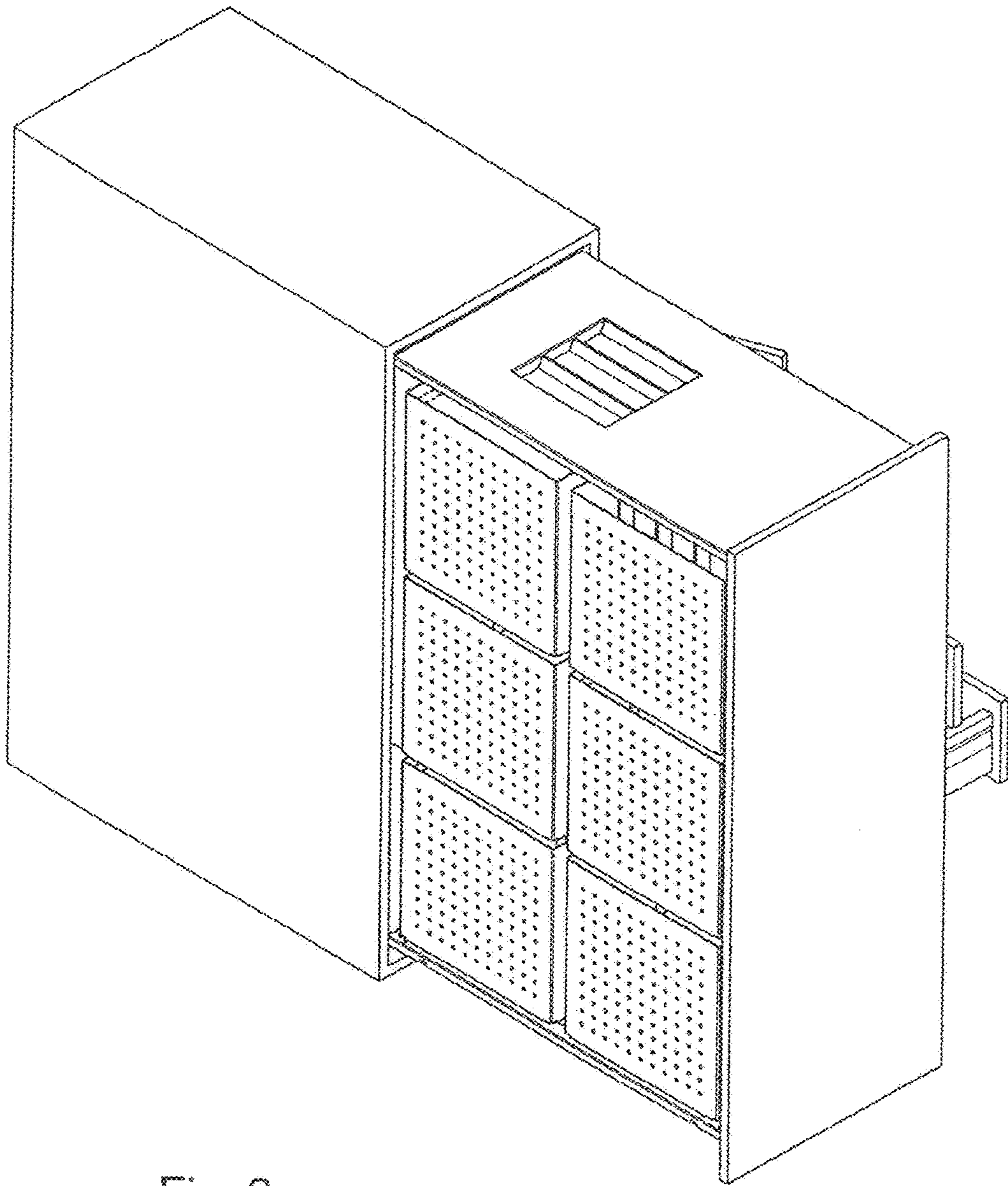


Fig. 2

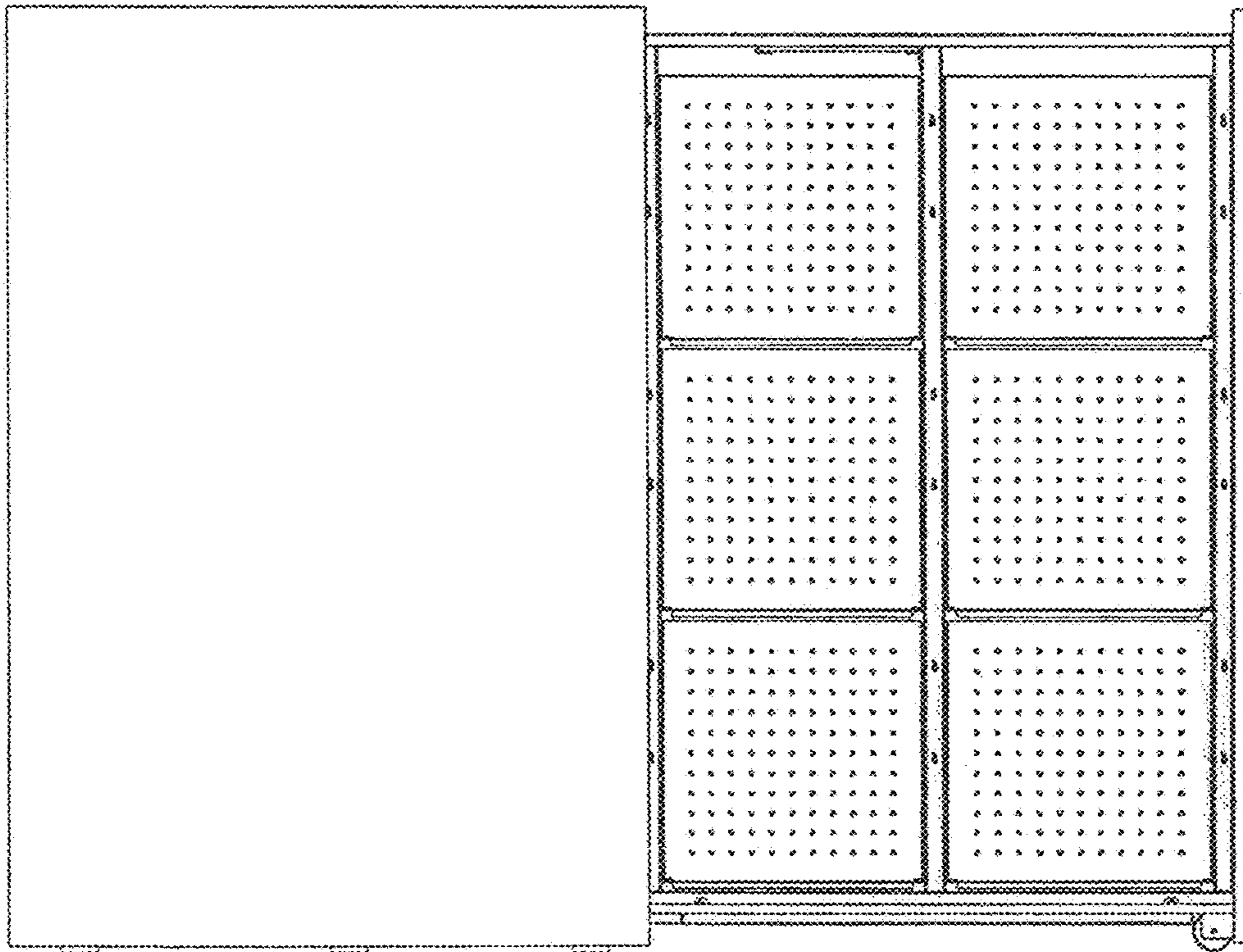


Fig. 3

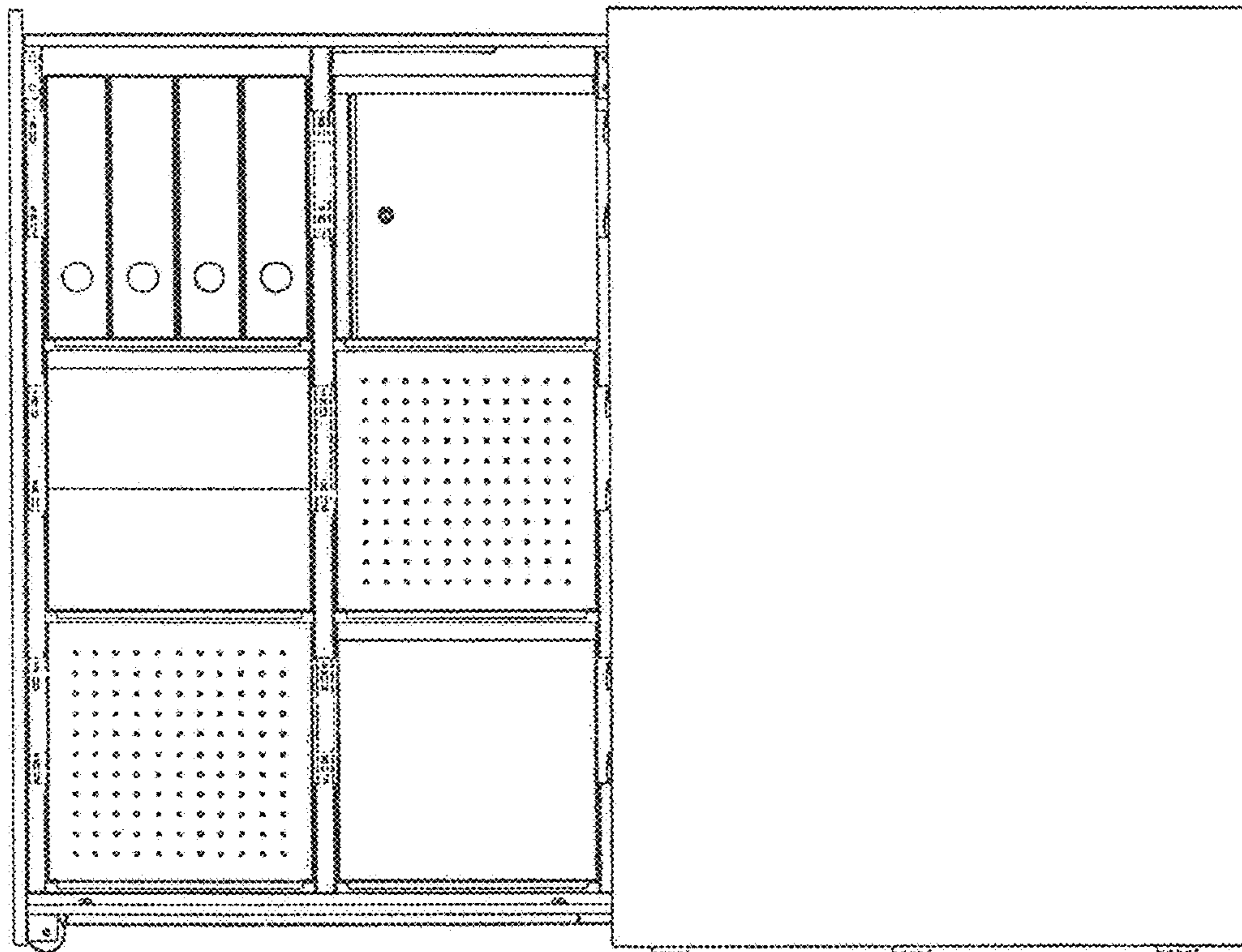


Fig. 4

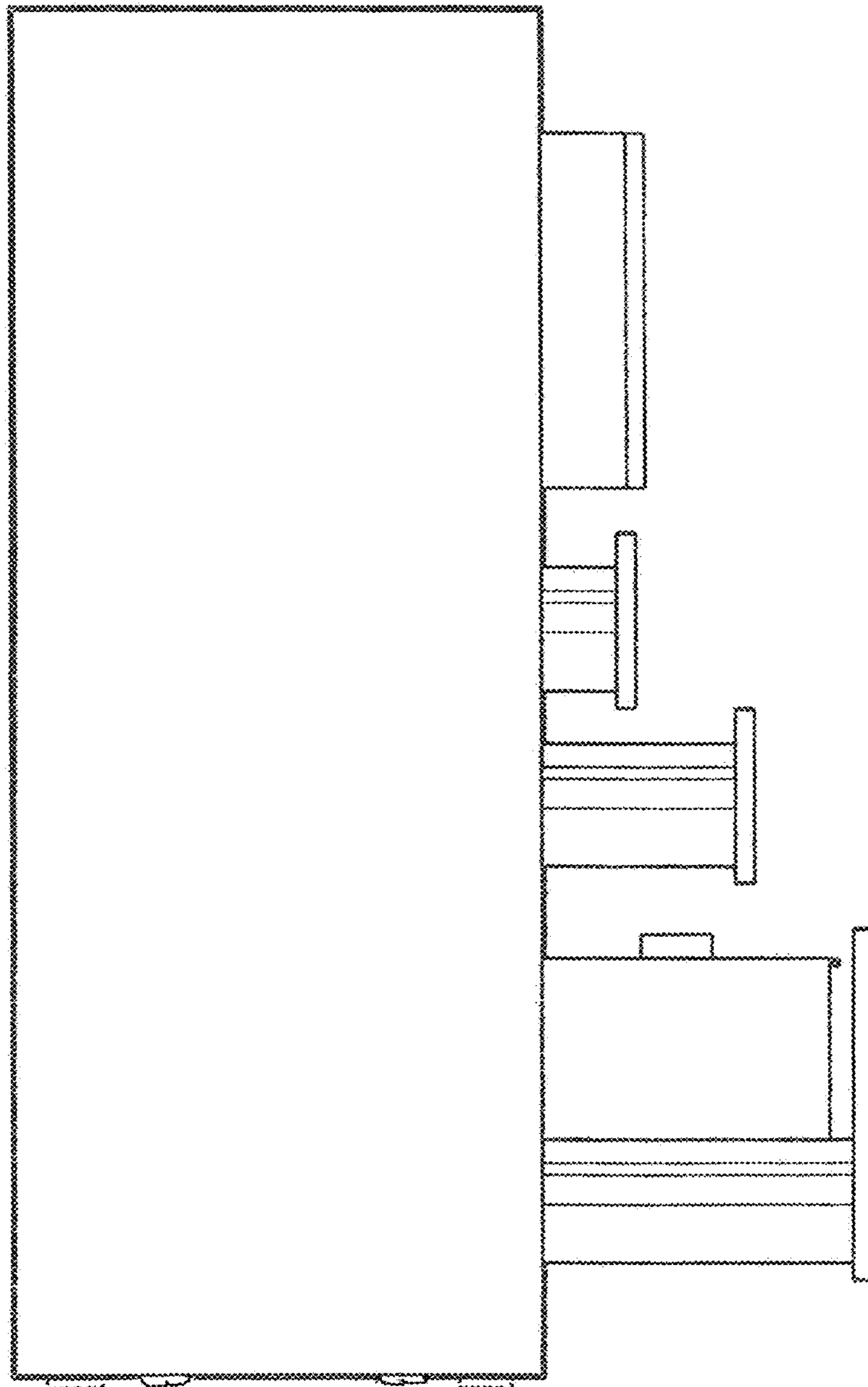


Fig. 5

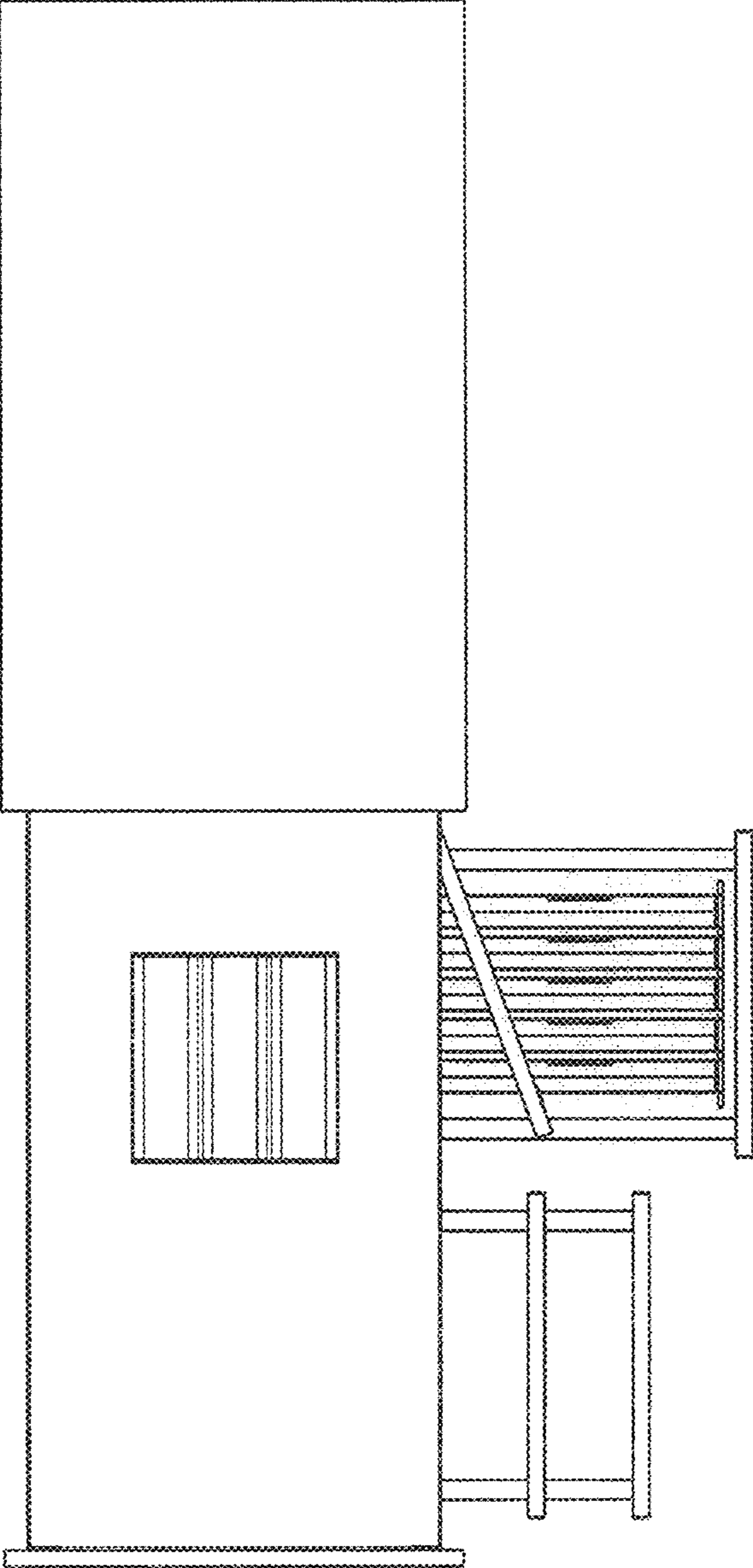


Fig. 6