

US00D799861S

(12) **United States Design Patent** (10) **Patent No.:** **US D799,861 S**
Krusin (45) **Date of Patent:** **** Oct. 17, 2017**

(54) **CREDENZA BASE**
(71) Applicant: **Knoll, Inc.**, East Greenville, PA (US)
(72) Inventor: **Marc Krusin**, London (GB)
(73) Assignee: **Knoll, Inc.**, East Greenville, PA (US)
(**) Term: **15 Years**
(21) Appl. No.: **29/566,222**

D215,010 S * 8/1969 Barnes D6/644
D220,442 S * 4/1971 Beavers D6/671
3,705,704 A * 12/1972 Textoris A47C 7/004
248/188.7

(Continued)

(22) Filed: **May 27, 2016**
(51) **LOC (10) Cl.** **06-04**
(52) **U.S. Cl.**
USPC **D6/671.1**
(58) **Field of Classification Search**
USPC D6/663, 666, 559-561, 699, 334-336,
D6/349, 351, 352, 358, 360, 364, 365,
D6/366, 374, 375, 379, 380, 611, 632,
D6/644, 651, 653.14, 653.21, 655.1, 657,
D6/662.1, 668.1, 668.2, 669, 671, 671.1,
D6/672-674, 675, 675.1, 675.3, 683,
D6/683.1, 685, 691, 691.5, 702, 703,
D6/703.1, 708, 708.2, 708.21, 708.25,
D6/708.17, 716, 716.1-716.4; D3/304,
D3/307, 309; D7/550.1, 554.3
CPC A47B 21/03; A47B 2200/0029; A47B
2200/007; A47B 2200/0072; A47B
3/0815; A47B 3/0818; A47B 3/0809;
A47B 7/02; A47C 1/002; A47C 1/022;
A47C 7/004; A47C 7/441; A47C 1/04;
A61H 2205/10

See application file for complete search history.

(56) **References Cited**

U.S. PATENT DOCUMENTS

1,337,608 A * 4/1920 Koken A47C 1/04
248/159
2,838,095 A * 6/1958 Deaton A47C 7/441
297/301.4

OTHER PUBLICATIONS

Curran, Brian. "My Standing Desk" Sep. 4, 2012, draftingservices.com, site visited Jun. 14, 2017 <<http://www.draftingservices.com/blog/my-standing-desk>>.*

(Continued)

Primary Examiner — Kevin Rudzinski
Assistant Examiner — Paul Bohannon
(74) *Attorney, Agent, or Firm* — Buchanan Ingersoll & Rooney PC

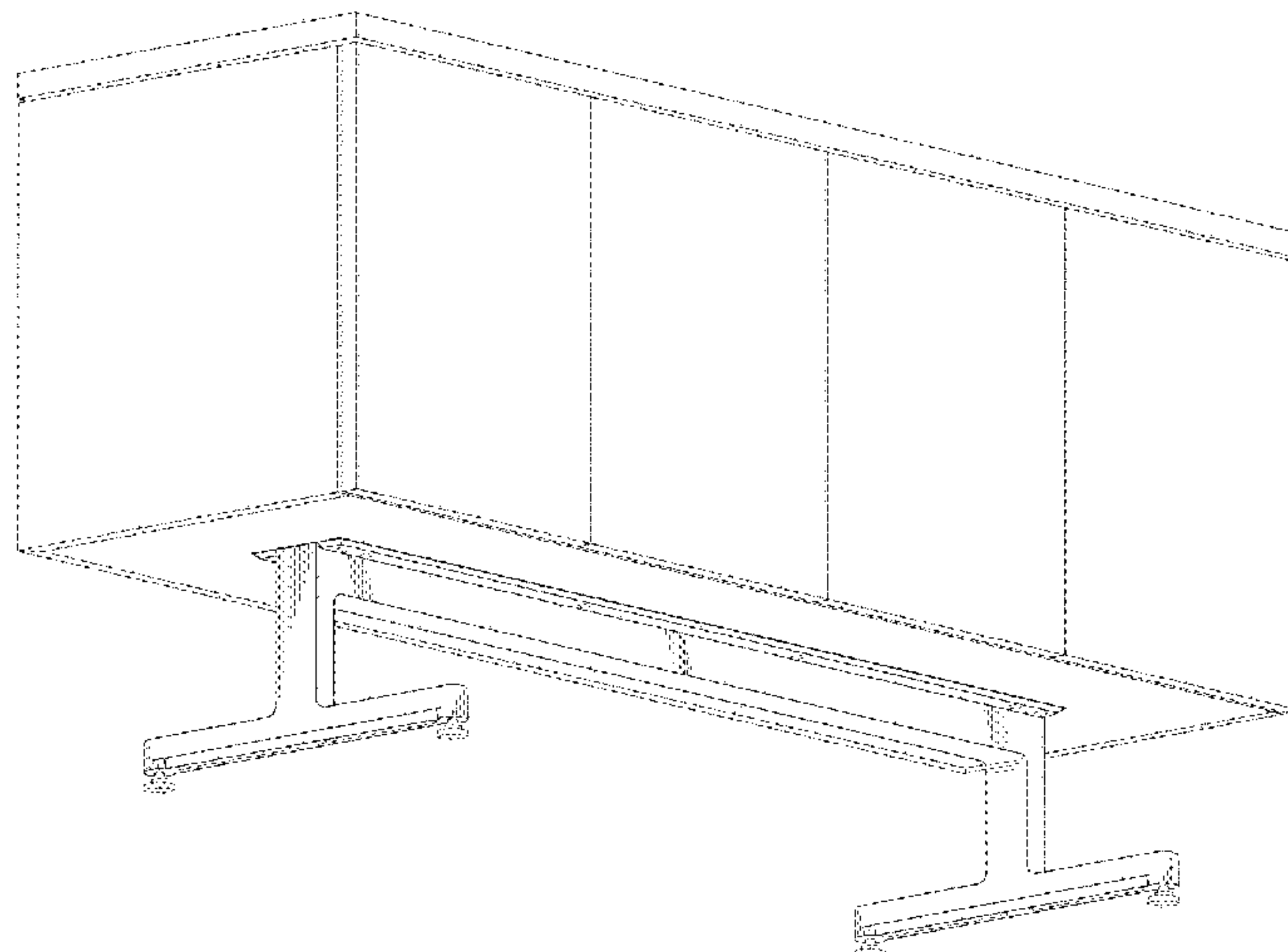
(57) **CLAIM**

The ornamental design for a credenza base, as shown and described.

DESCRIPTION

FIG. 1 is a perspective view of a credenza base showing my new design;
FIG. 2 is a front elevational view thereof;
FIG. 3 is a rear elevational view thereof;
FIG. 4 is a top plan view thereof;
FIG. 5 is a bottom plan view thereof;
FIG. 6 is a left side elevational view thereof;
FIG. 7 is a right side elevational view thereof;
FIG. 8 is a perspective view of an alternate embodiment showing my new design;
FIG. 9 is a front elevational view thereof;
FIG. 10 is a rear elevational view thereof;
FIG. 11 is a top plan view thereof;
FIG. 12 is a bottom plan view thereof;
FIG. 13 is a left side elevational view thereof; and,
FIG. 14 is a right side elevational view thereof.
The broken line showing of a credenza and portions of the credenza base forms no part of the claimed design.

1 Claim, 11 Drawing Sheets



(56)

References Cited

U.S. PATENT DOCUMENTS

3,796,169 A * 3/1974 Bales A47B 3/0815
108/116
D268,312 S * 3/1983 Rompotti D6/653.14
D274,586 S * 7/1984 Cope D6/653.21
D288,157 S * 2/1987 Sandor D6/675.3
4,779,922 A * 10/1988 Cooper A47B 21/03
248/918
D333,058 S * 2/1993 Diffrient D6/708.25
5,226,250 A * 7/1993 Ulmer A47B 3/0818
108/132
D339,374 S * 9/1993 Chow 346/136
D370,796 S * 6/1996 Beck D6/655.1
D372,817 S * 8/1996 Stevens D6/698
D393,764 S * 4/1998 Hundertmark D6/708.17
5,752,684 A * 5/1998 Larkin A47C 7/004
248/188.1
D437,708 S * 2/2001 Bargmann D6/673

D604,529 S * 11/2009 Bloch D6/651
8,016,351 B2 * 9/2011 Cassaday A47C 1/022
297/217.1
D742,667 S * 11/2015 Weatherly D6/671.1
9,198,523 B2 * 12/2015 Cassaday A47C 1/022
2015/0118010 A1 * 4/2015 Krusin A47B 7/02
414/801
2015/0164217 A1 * 6/2015 Samikkannu A47B 3/0815
108/122
2016/0309888 A1 * 10/2016 Krusin A47B 3/0809

OTHER PUBLICATIONS

“DIY cheap, adjustable stand-up desk to support three monitors? Ideas?” May 23, 2011, instructables.com, site visited Jun. 14, 2017
<<http://www.instructables.com/answers/DIY-cheap-adjustable-stand-up-desk-to-support-thr/>>.*

* cited by examiner

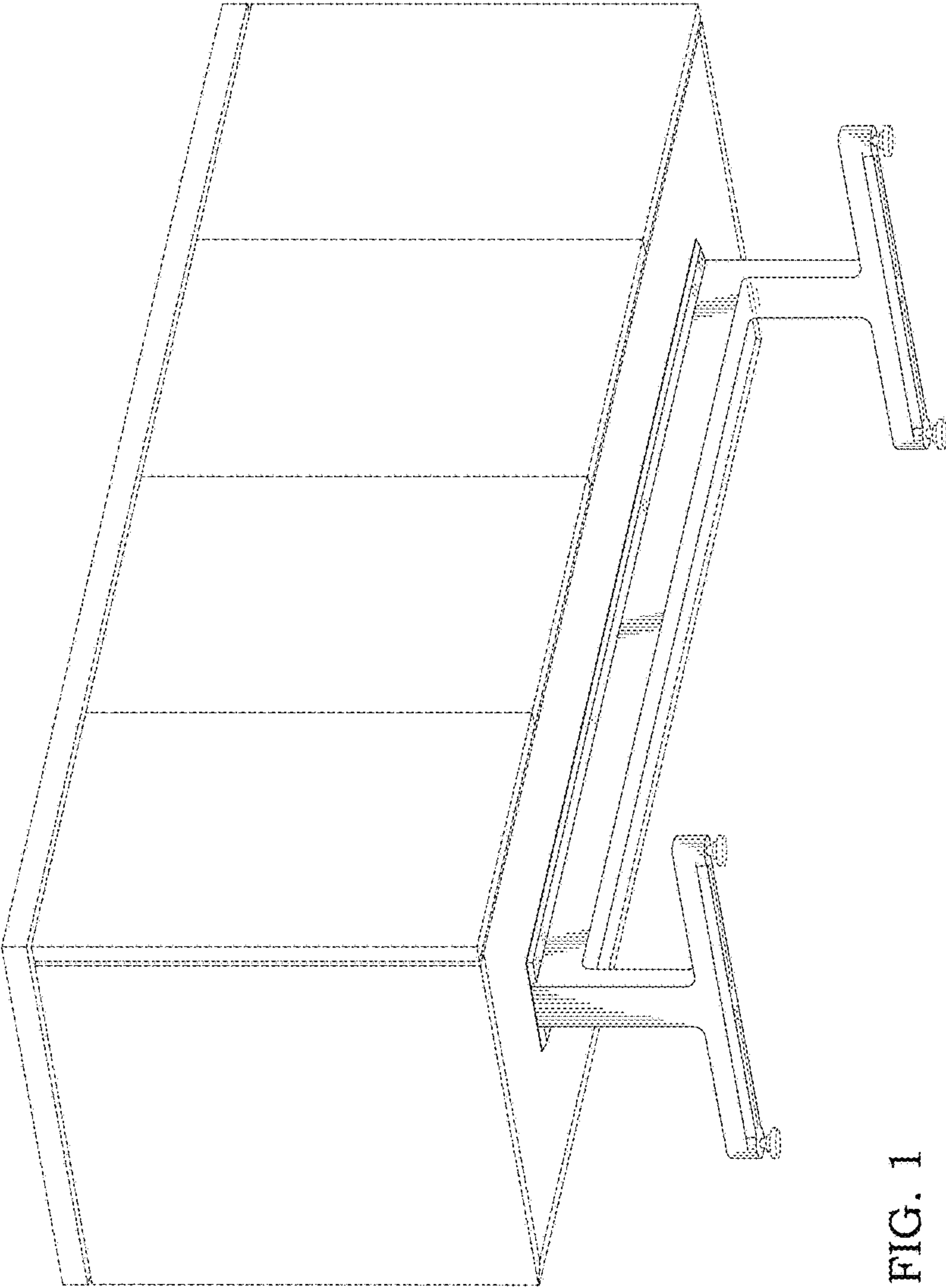


FIG. 1

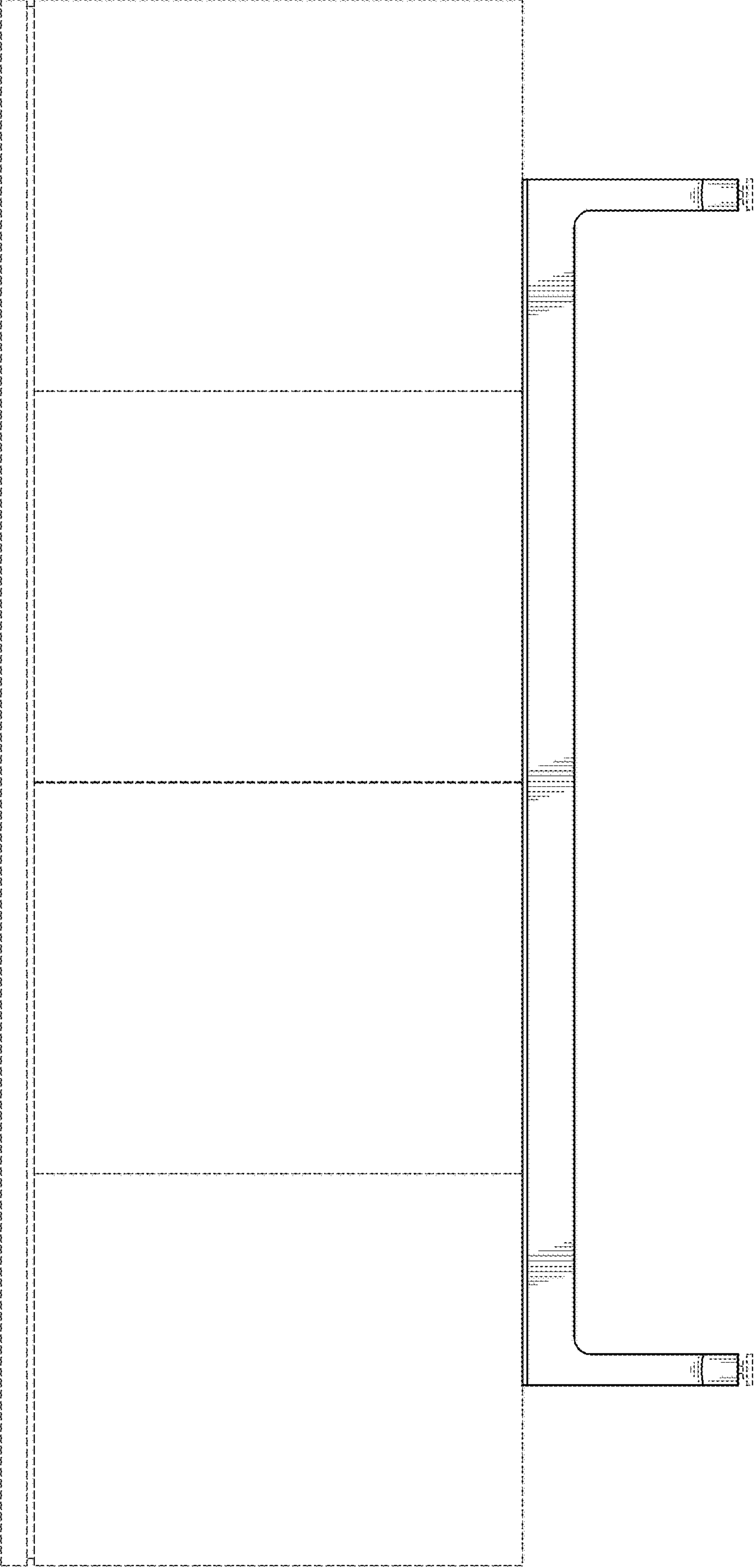


FIG. 2

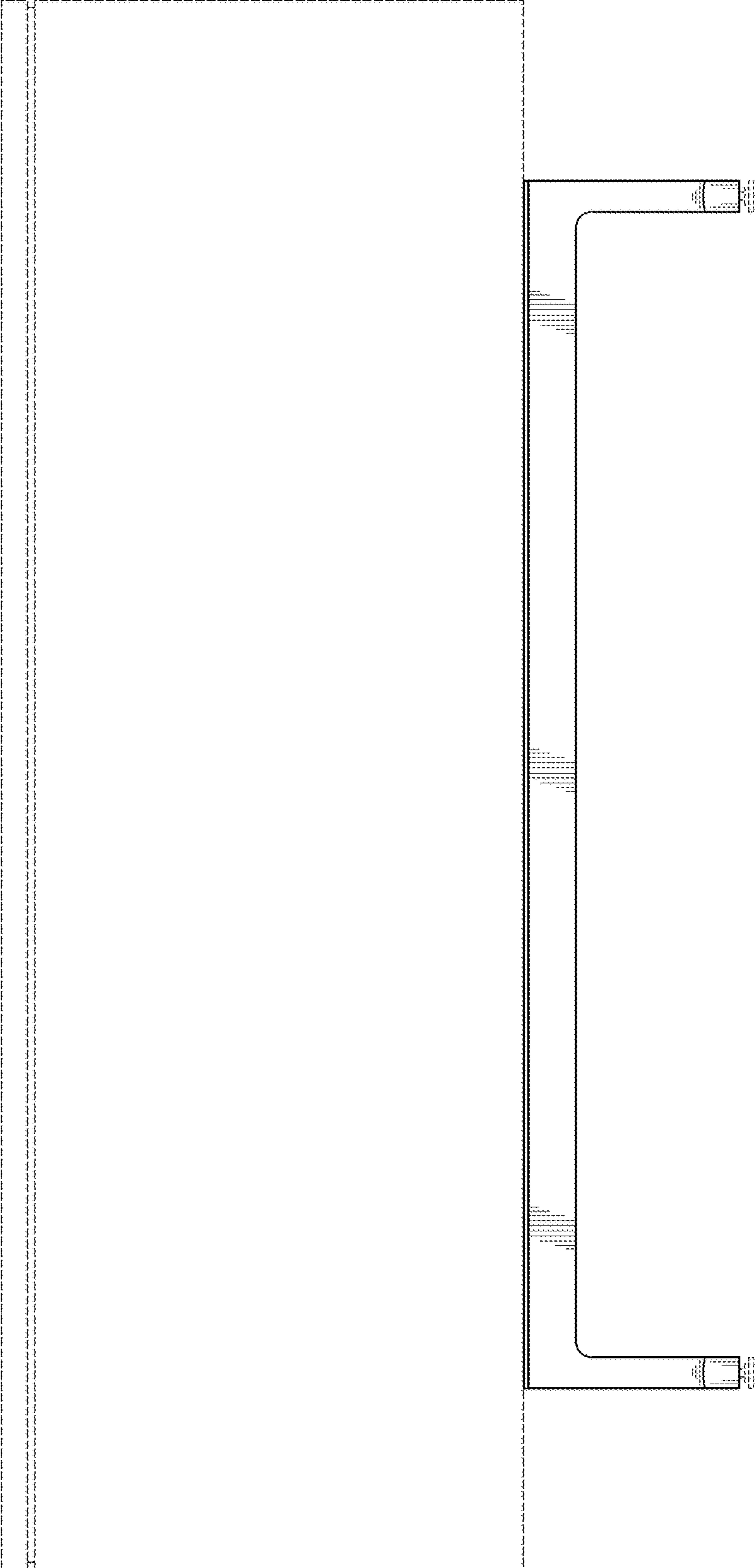


FIG. 3

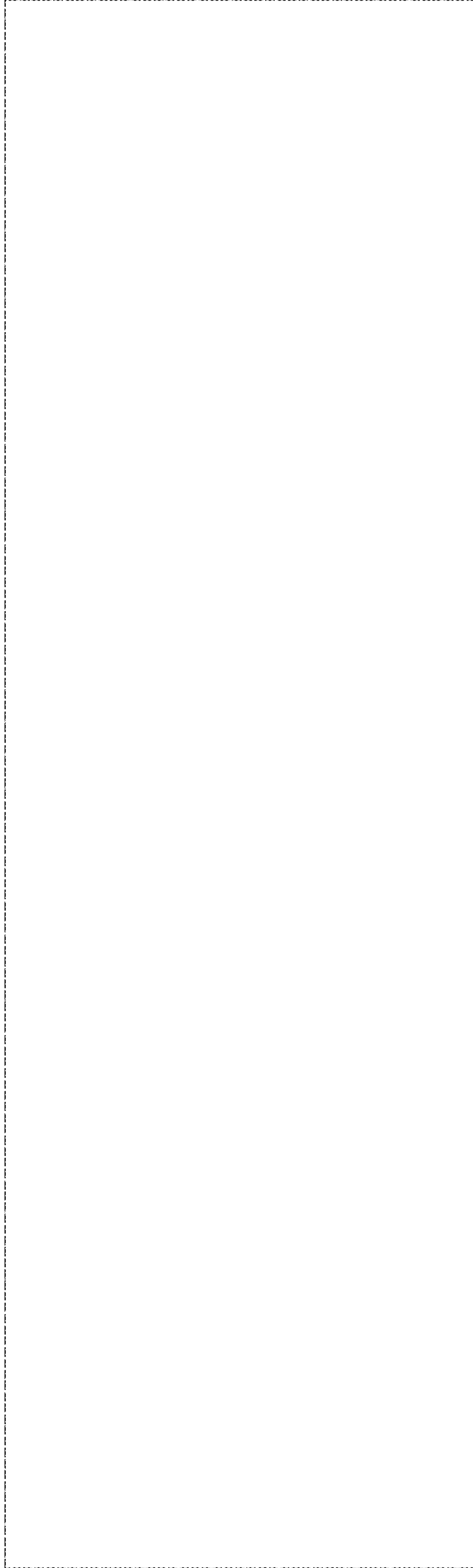


FIG. 4

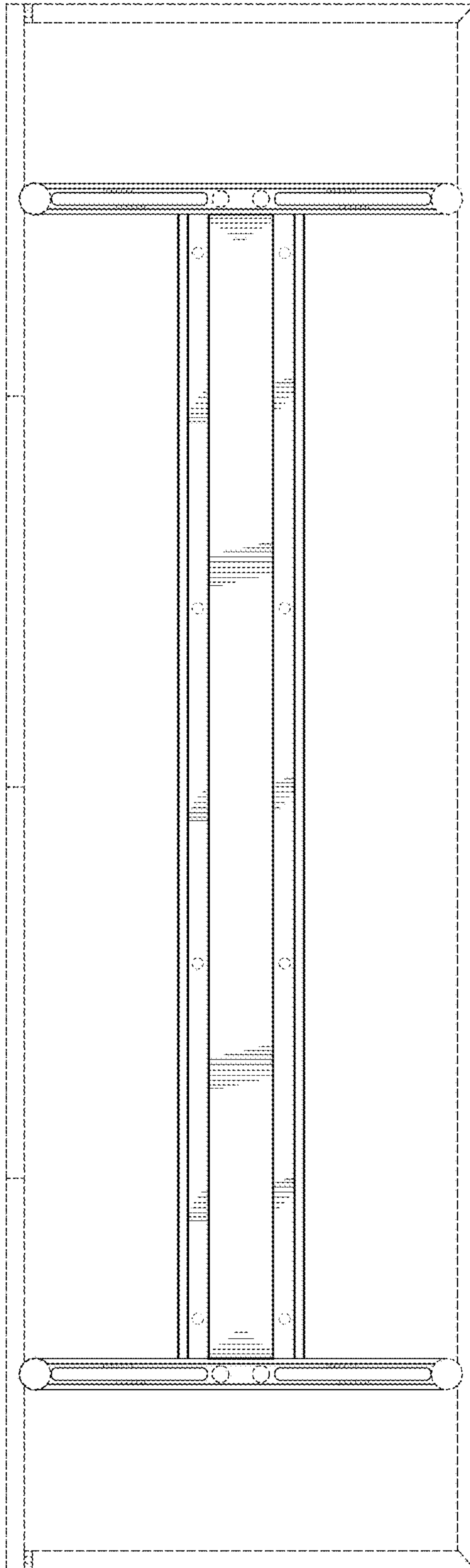


FIG. 5

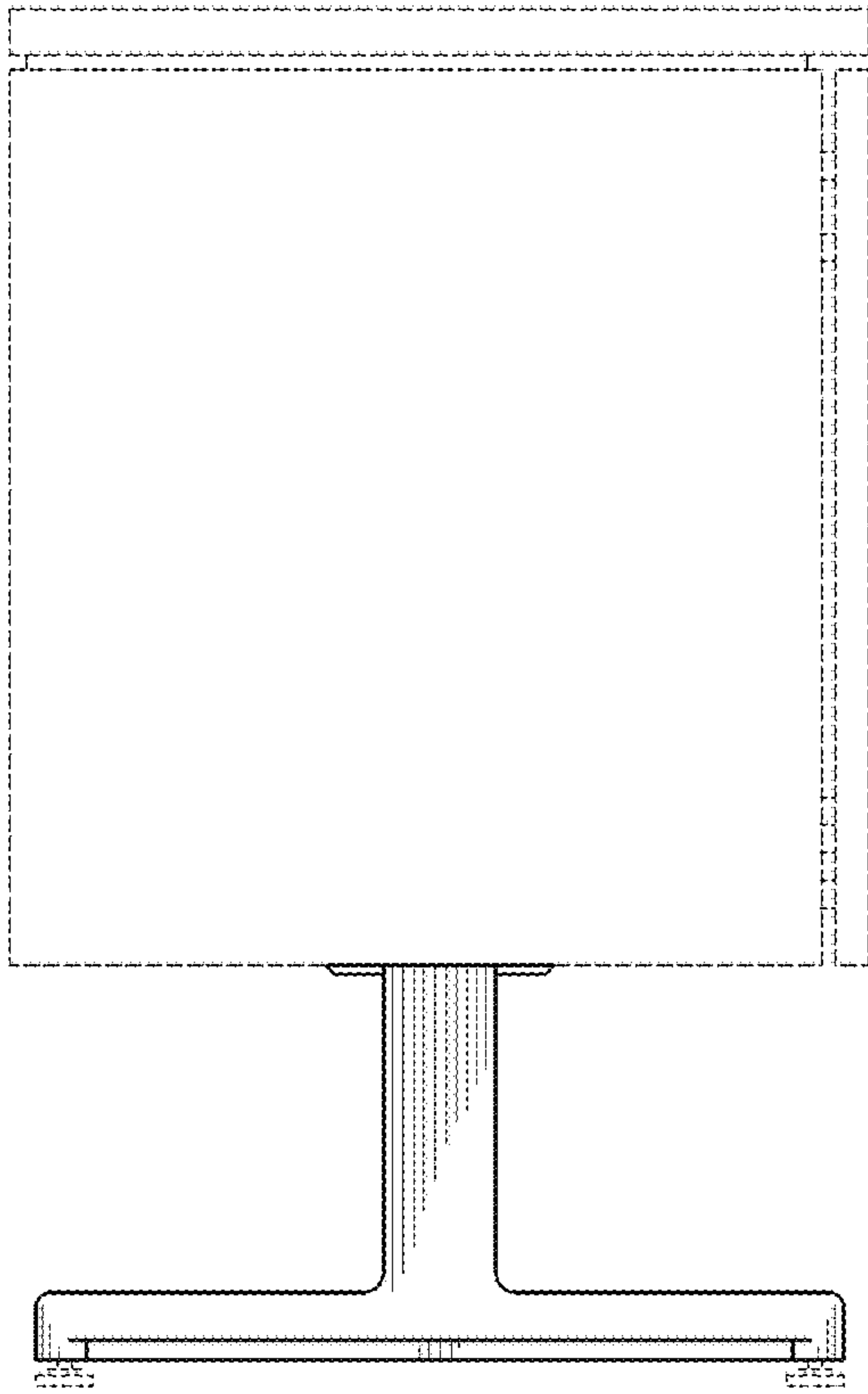


FIG. 6

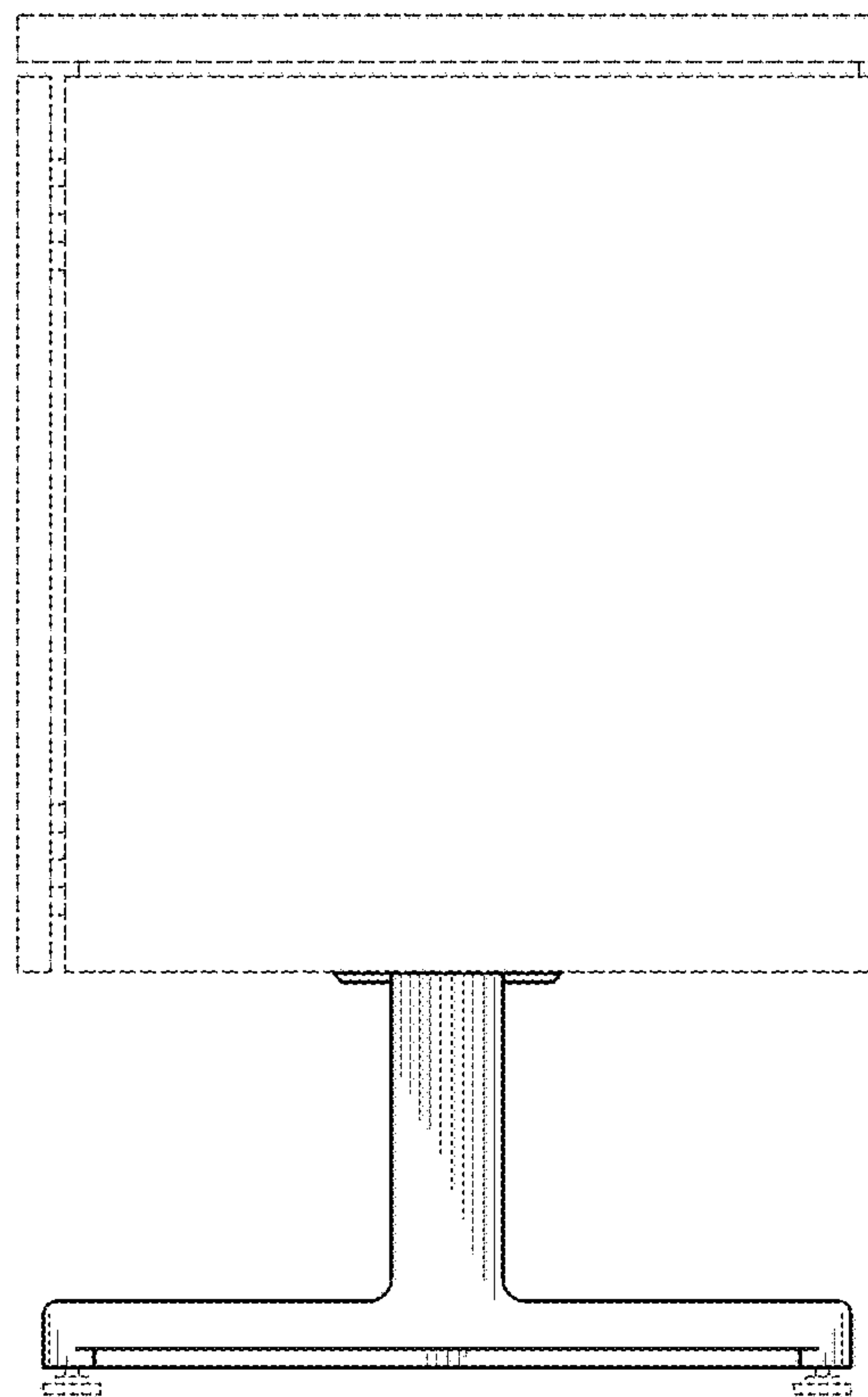


FIG. 7

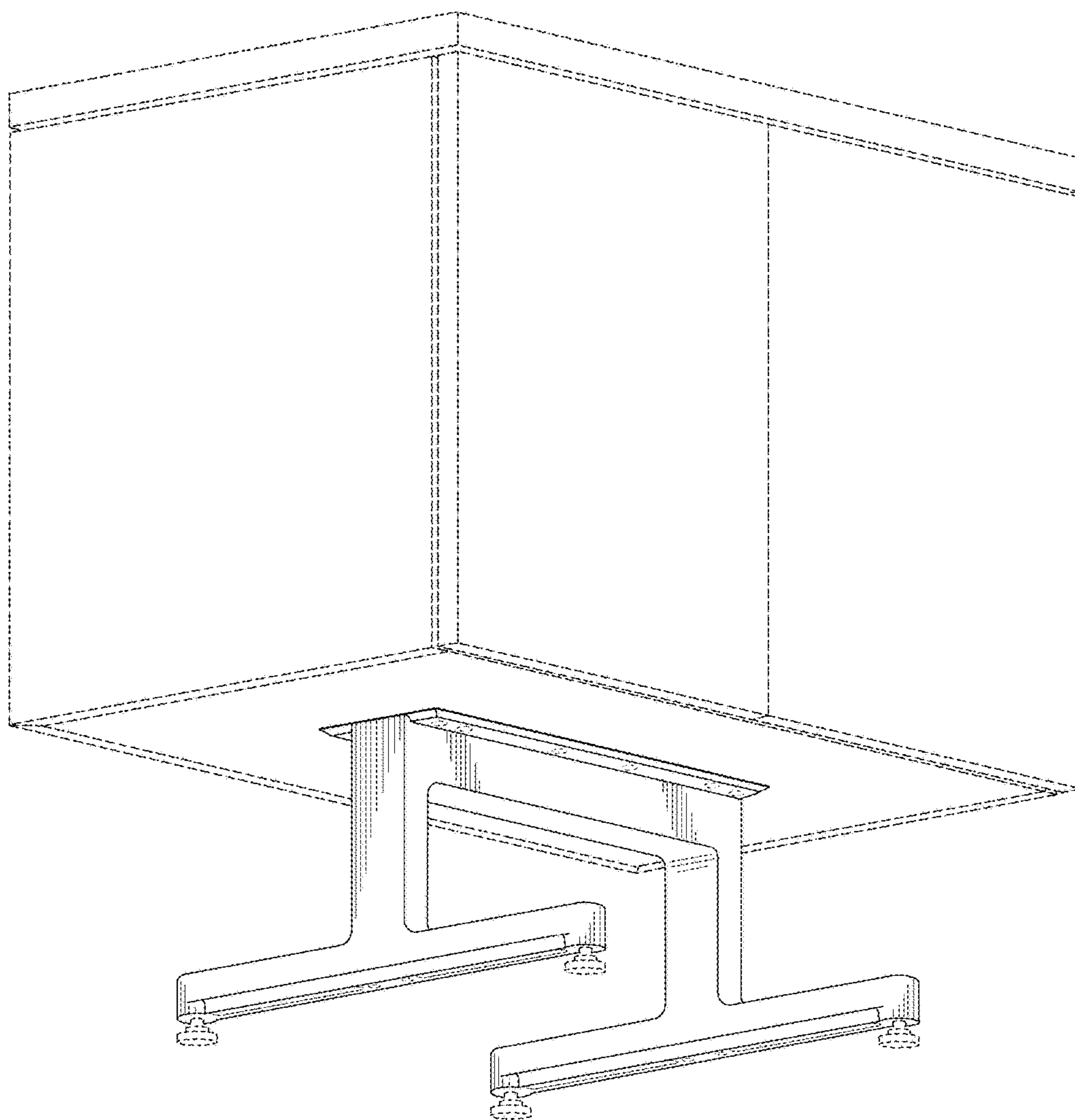


FIG. 8

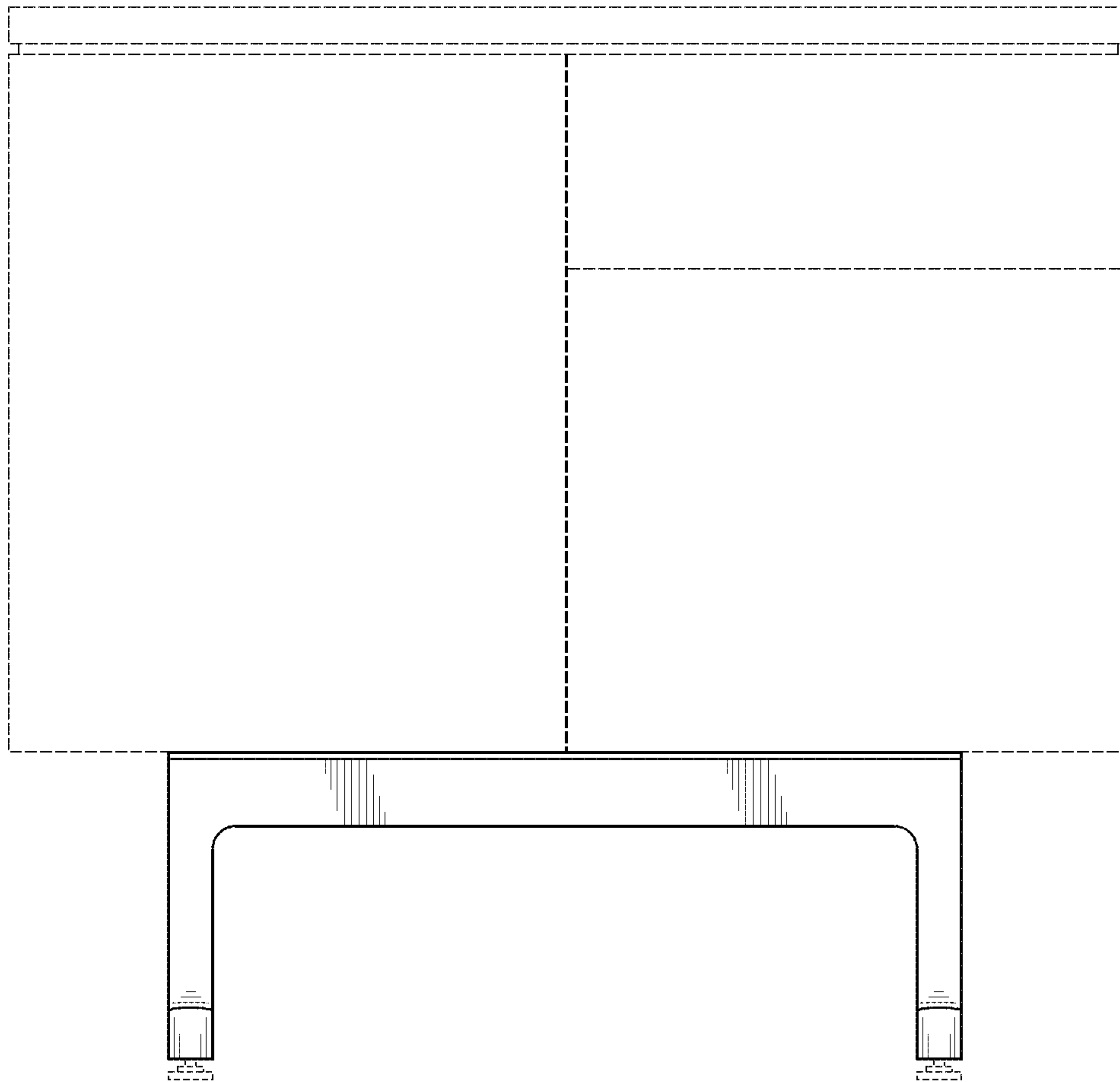


FIG. 9

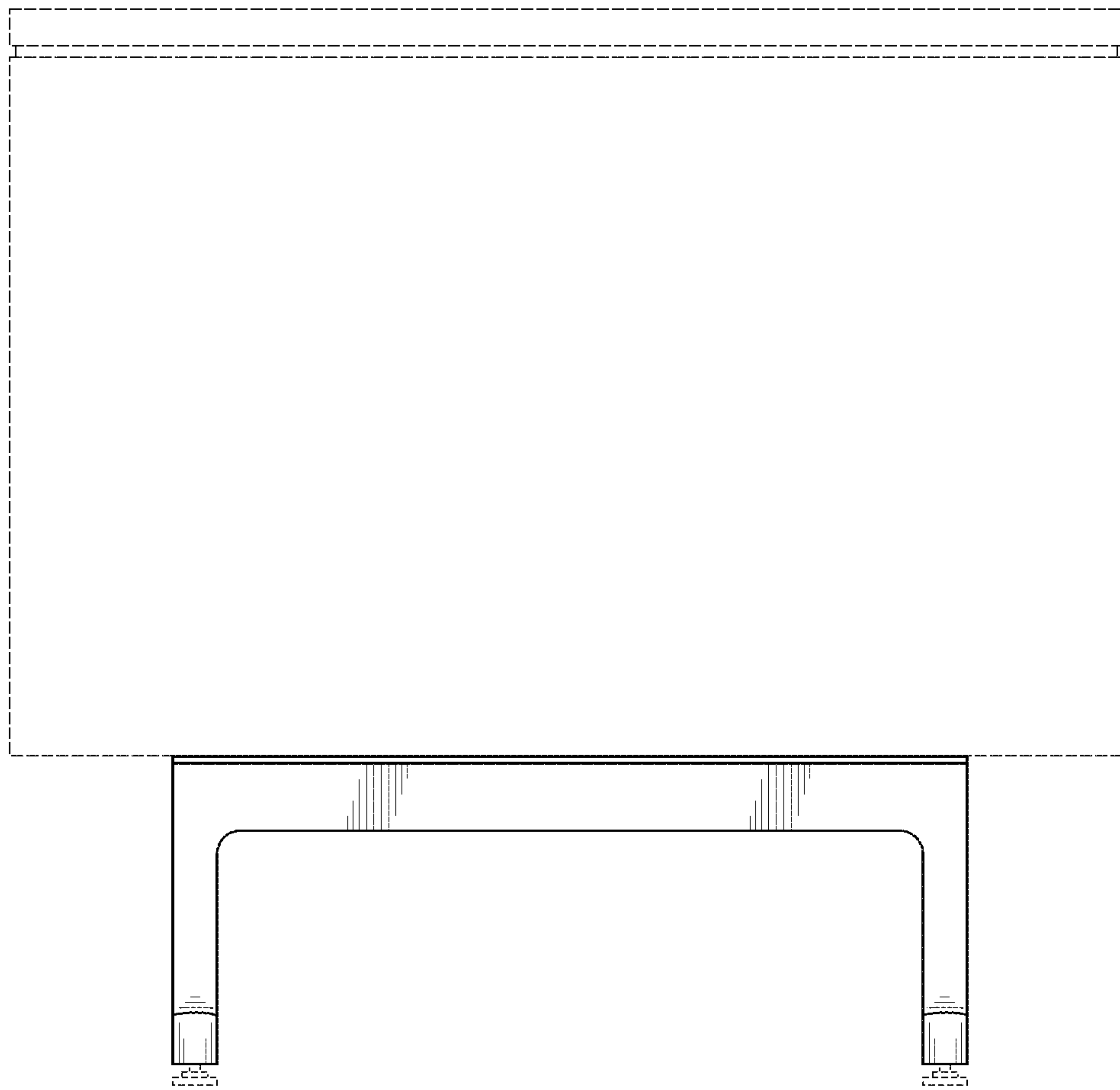


FIG. 10



FIG. 11

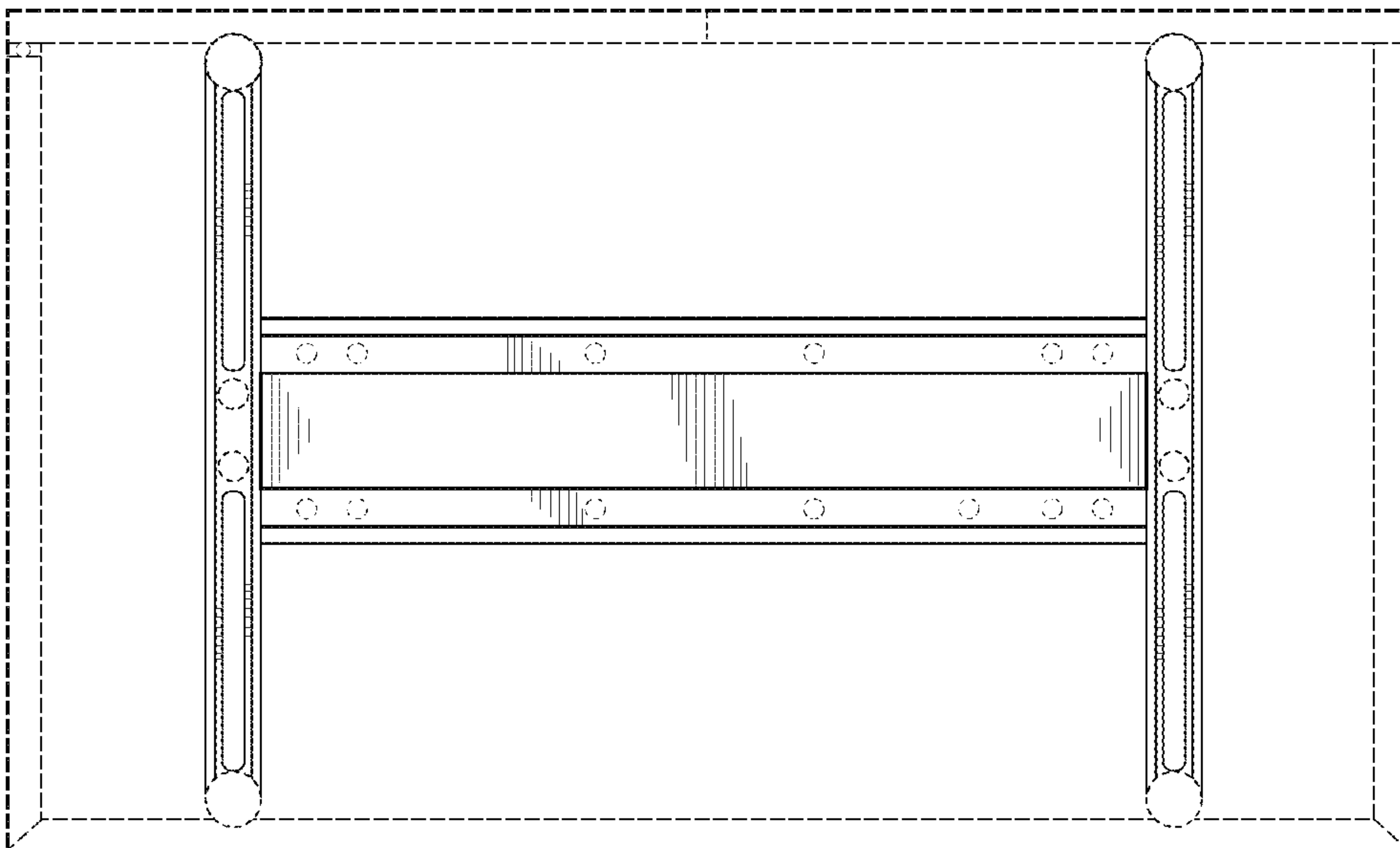


FIG. 12

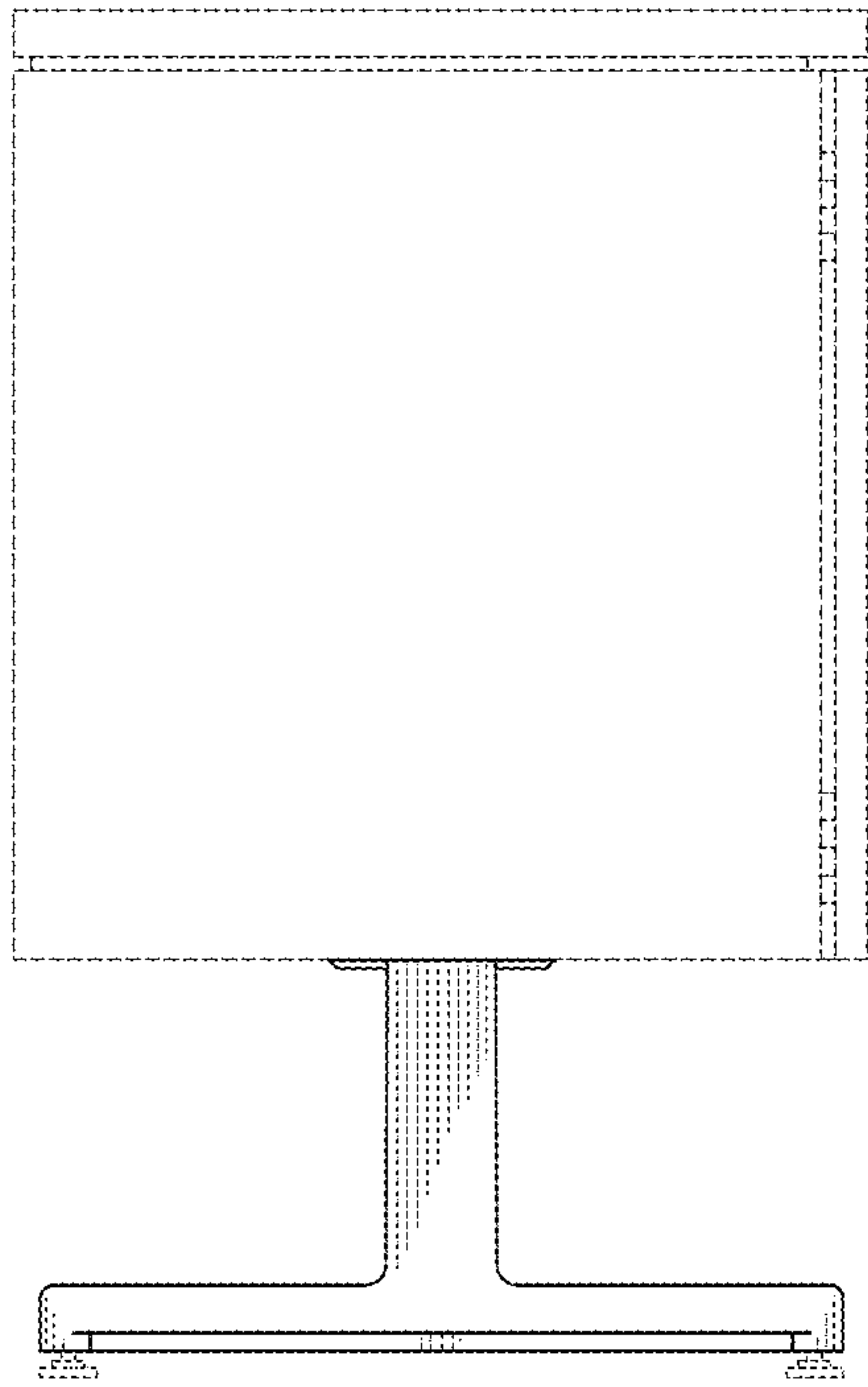


FIG. 13

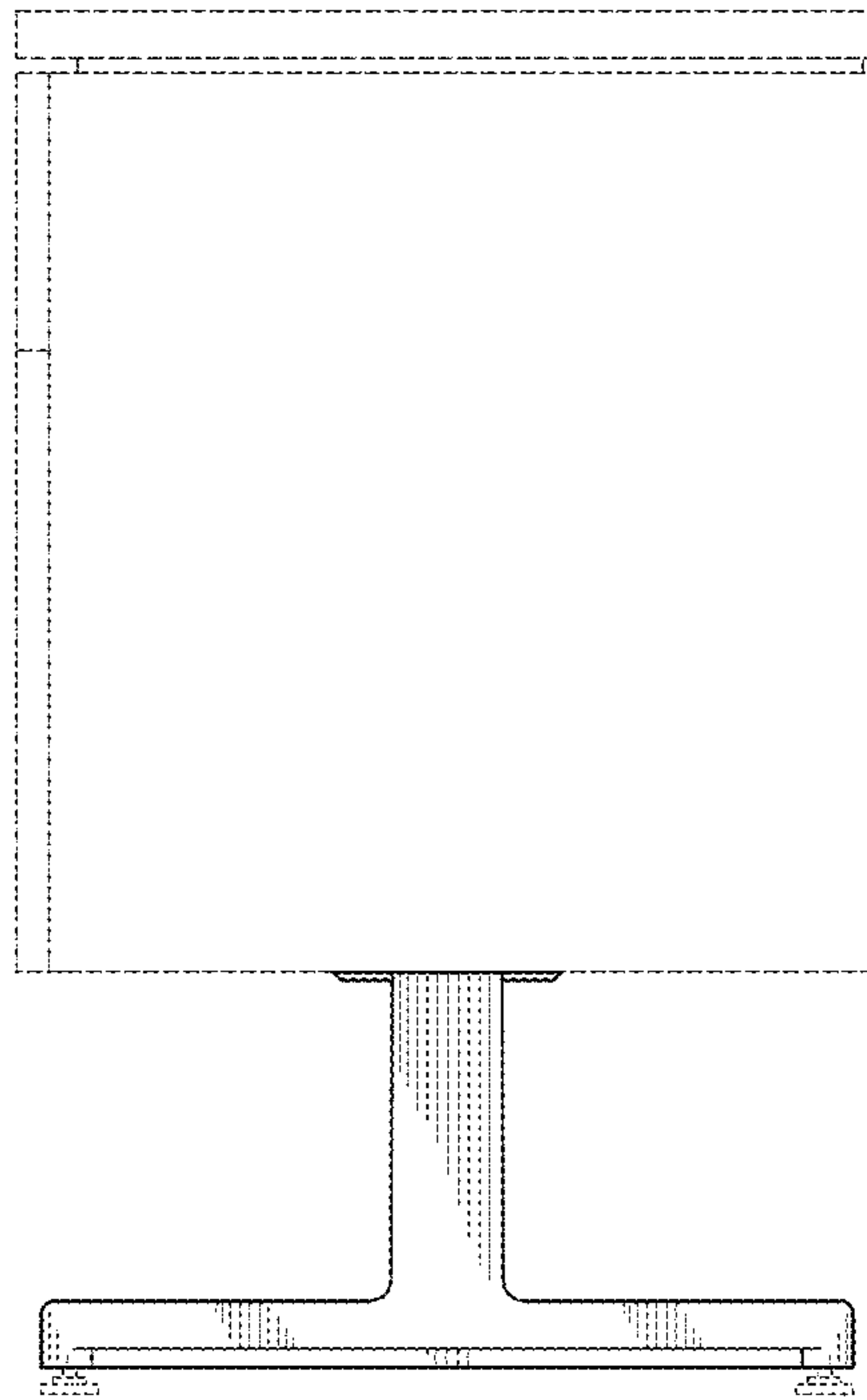


FIG. 14