

US00D799855S

(12) **United States Design Patent** (10) **Patent No.:** **US D799,855 S**
Webb (45) **Date of Patent:** **** Oct. 17, 2017**

(54) **SHOWER CURTAIN**
(71) Applicant: **Nyron Webb**, North Bergen, NJ (US)
(72) Inventor: **Nyron Webb**, North Bergen, NJ (US)
(**) Term: **15 Years**
(21) Appl. No.: **29/557,153**
(22) Filed: **Mar. 7, 2016**
(51) **LOC (10) Cl.** **06-10**
(52) **U.S. Cl.**
USPC **D6/575**
(58) **Field of Classification Search**
USPC D6/575, 580, 577; D30/119
CPC E06B 2009/2435; E06B 2009/2447; E06B
2009/2452; E06B 2009/2625; E06B
2009/2627; E06B 2009/405; E06B 9/24;
E06B 9/26; E06B 9/262; E06B 9/264;
E06B 9/34; E06B 9/40; A47H 13/00;
A47H 13/02; A47H 13/04; A47H 15/04;
A47H 2023/003; A47H 2023/025; A47H
23/00; A47H 23/04; A47H 23/06; A47H
23/10; A47H 2201/01; A01K 1/007
See application file for complete search history.

6,510,566 B2 1/2003 Bryce
6,789,279 B2 9/2004 Yarid
6,896,155 B1 * 5/2005 Jones A47K 3/38
160/DIG. 6
8,069,507 B2 12/2011 Didehvar et al.
D655,552 S 3/2012 Beyda
9,027,177 B2 * 5/2015 Perez A47K 3/30
4/557
9,603,491 B2 * 3/2017 Royal A47K 3/38
2003/0131405 A1 7/2003 Greaves
2004/0107493 A1 6/2004 Orpilla
2011/0126349 A1 * 6/2011 Betzen A47K 3/38
4/609
2012/0227179 A1 * 9/2012 Beyda A47K 3/38
4/608
2013/0283519 A1 10/2013 Holden
2016/0051094 A1 * 2/2016 Kee A47H 1/00
4/608

* cited by examiner

Primary Examiner — Celia Murphy
Assistant Examiner — Clare Ann Gannon
(74) *Attorney, Agent, or Firm* — Robert C. Montgomery;
Montgomery Patent and Design, L.P.

(57) **CLAIM**

The ornamental design for a shower curtain, as shown and described.

(56) **References Cited**

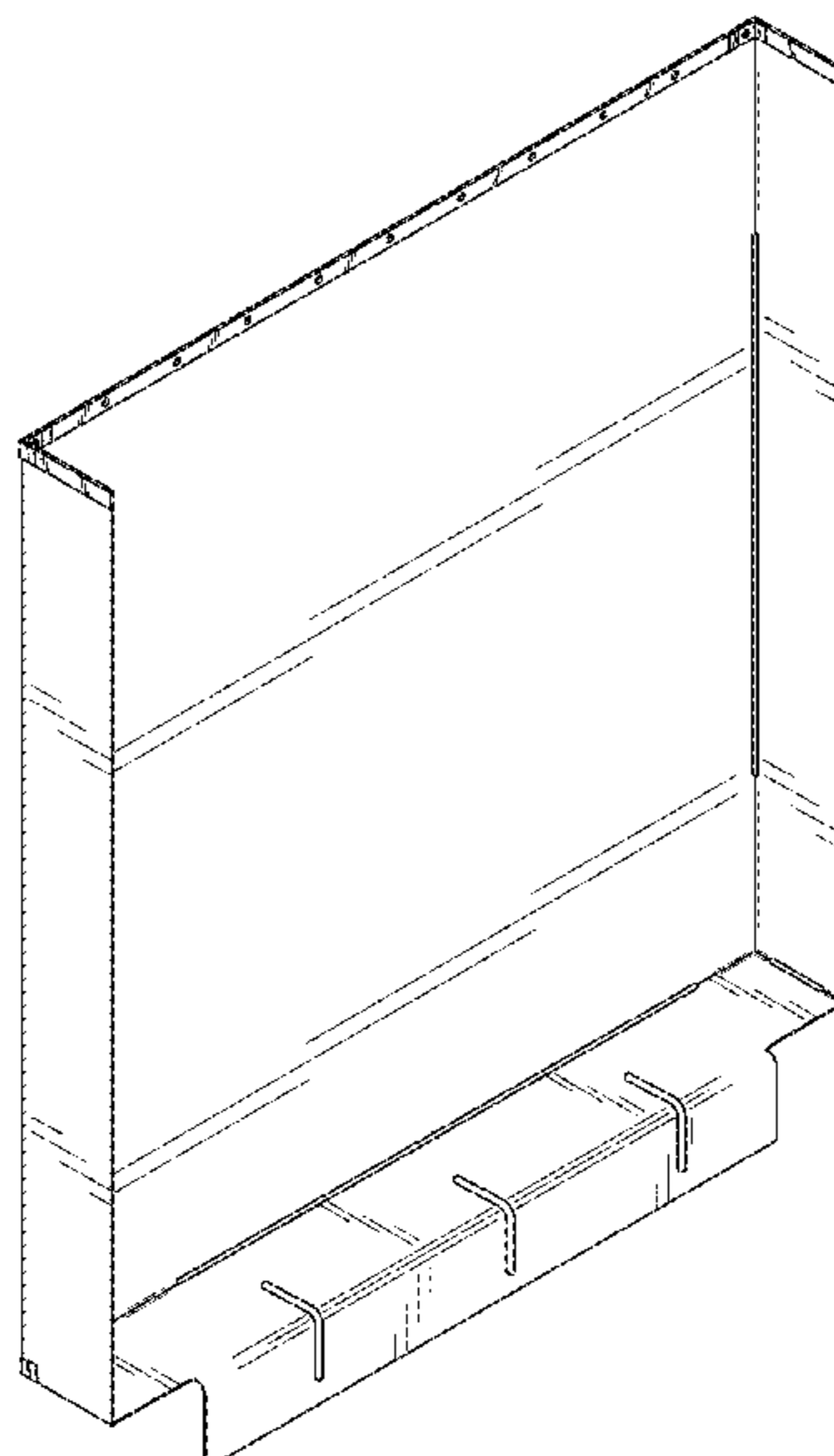
U.S. PATENT DOCUMENTS

2,771,945 A 11/1956 Wittrup
3,418,665 A * 12/1968 Long A47K 3/30
160/349.1
4,888,835 A * 12/1989 Baumann A47K 3/302
4/605
5,003,647 A * 4/1991 Williams A47K 3/001
160/368.1
5,216,766 A * 6/1993 Lang A47K 3/38
4/609
5,243,715 A * 9/1993 Barmak A47K 3/34
160/202

DESCRIPTION

FIG. 1 is a front side perspective view of a shower curtain, showing my new design;
FIG. 2 is a front elevation view thereof.
FIG. 3 is a back elevation view thereof;
FIG. 4 is a right side elevation view with the left side elevation view being a mirror image thereof;
FIG. 5 is a top plan view; and,
FIG. 6 is a bottom plan view.

1 Claim, 6 Drawing Sheets



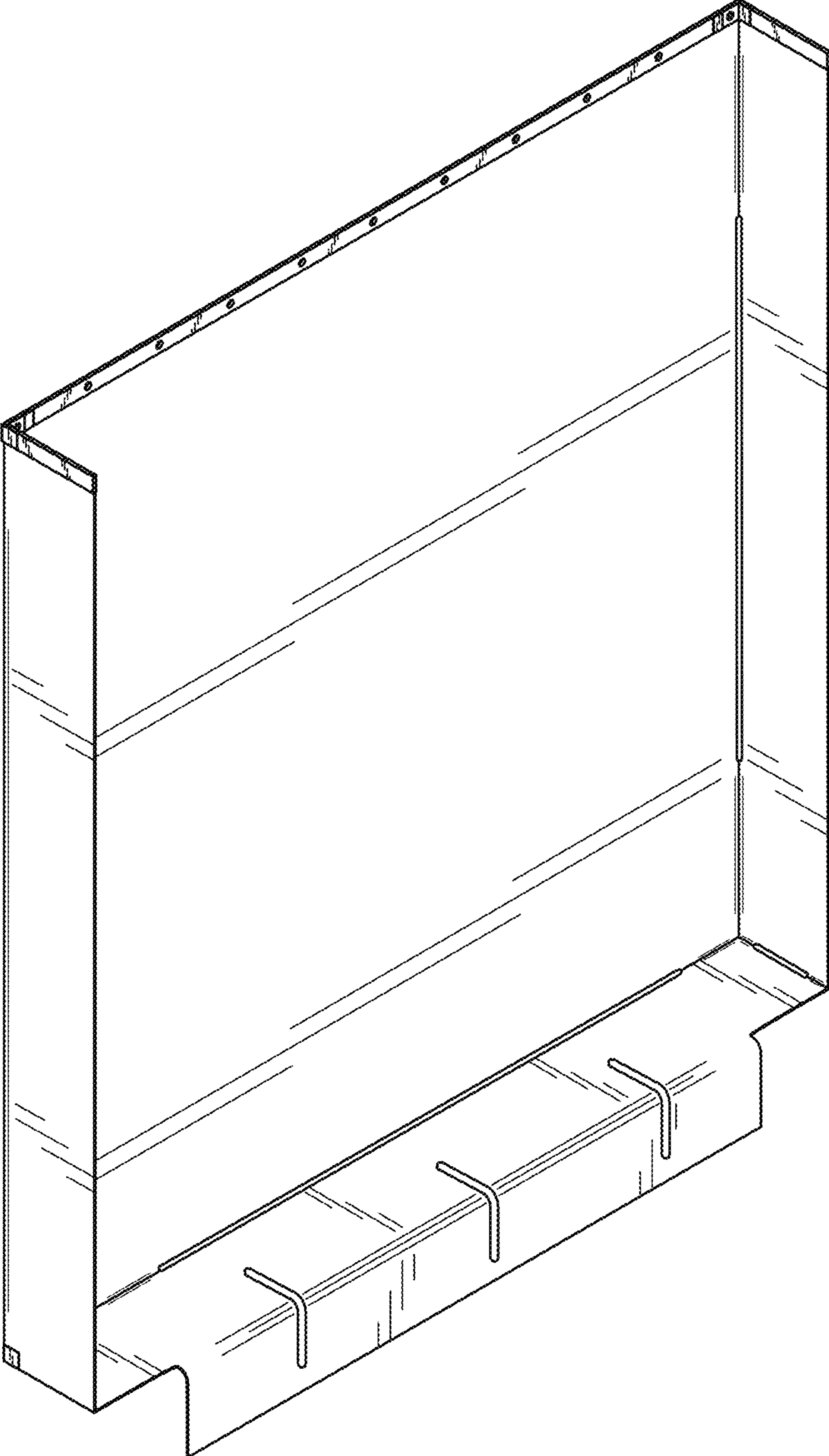


FIG. 1

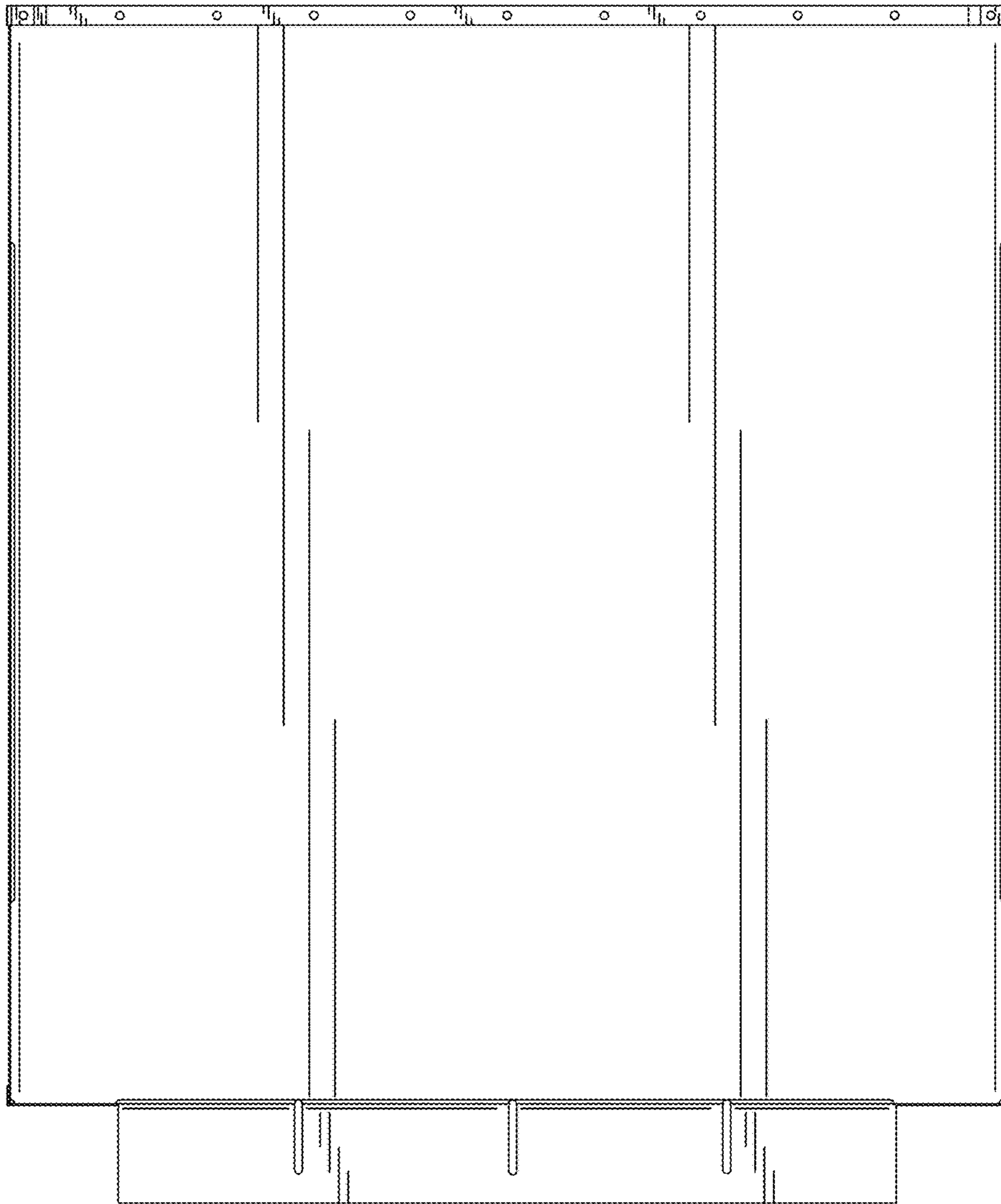


FIG. 2

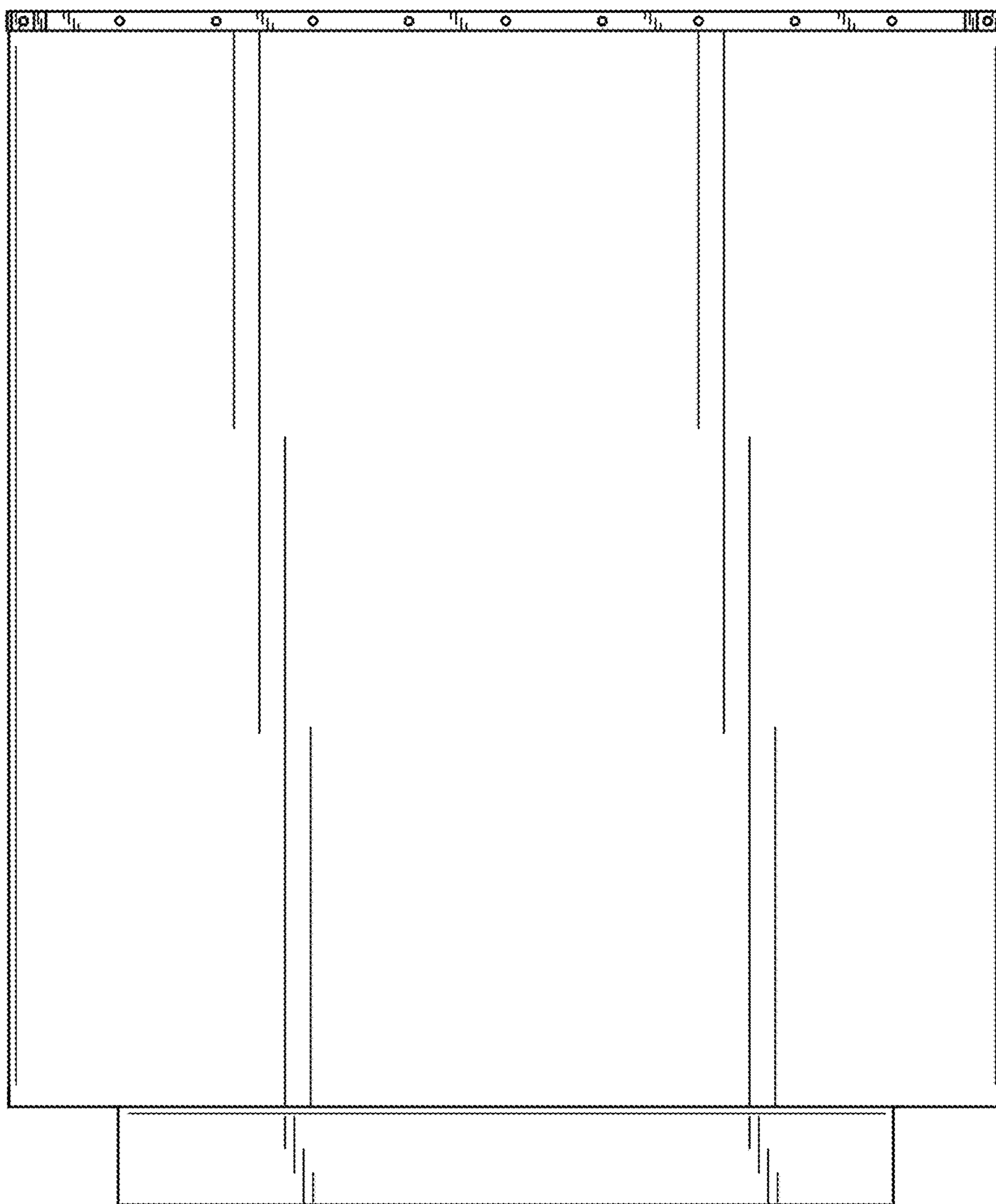


FIG. 3

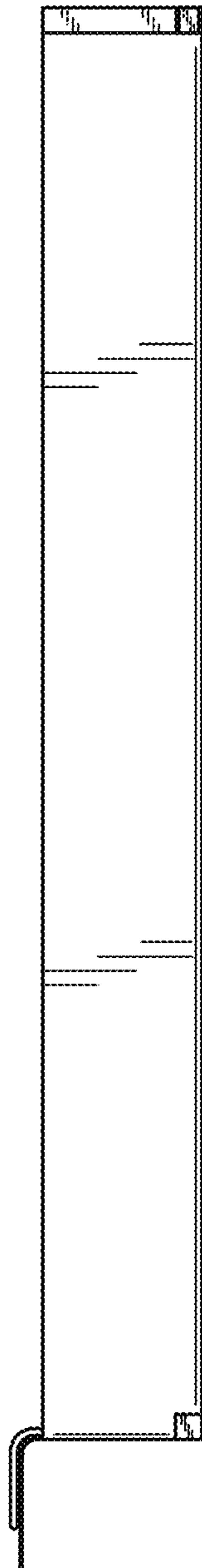


FIG. 4

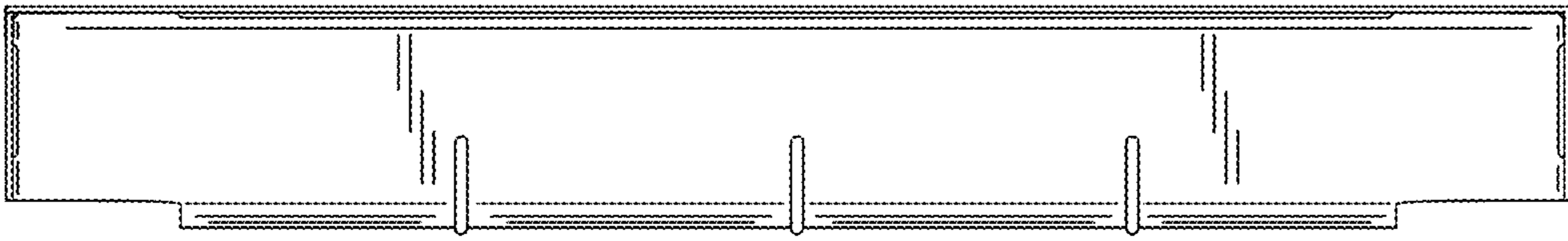


FIG. 5

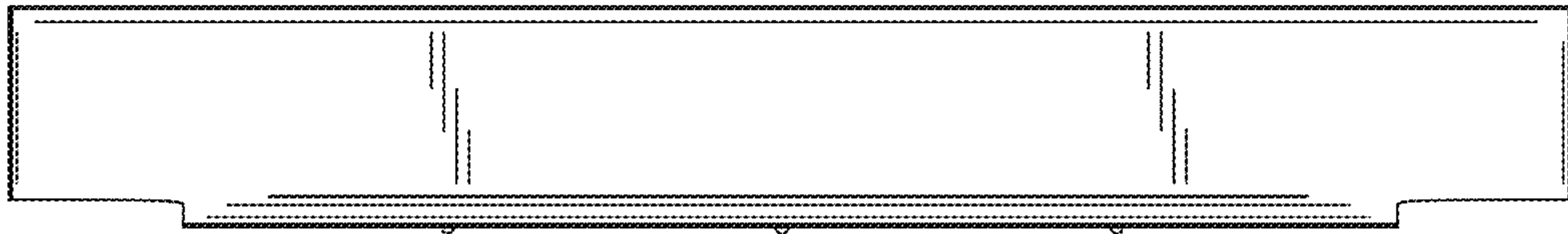


FIG. 6