



US00D799854S

(12) **United States Design Patent** (10) **Patent No.:** **US D799,854 S**
Andrew (45) **Date of Patent:** **** Oct. 17, 2017**

(54) **TOWEL BAR**

(71) Applicant: **DELTA FAUCET COMPANY,**
Indianapolis, IN (US)

(72) Inventor: **Mercedita Andrew,** Indianapolis, IN
(US)

(73) Assignee: **DELTA FAUCET COMPANY,**
Indianapolis, IN (US)

(**) Term: **15 Years**

(21) Appl. No.: **29/576,644**

(22) Filed: **Sep. 6, 2016**

(51) **LOC (10) Cl.** **06-04**

(52) **U.S. Cl.**
USPC **D6/549**

(58) **Field of Classification Search**
USPC D6/518-524, 546-550, 574; D8/300,
D8/315, 370; 108/28-29; 211/13.1, 16,
211/85.5, 86.01, 87.01, 88.04, 100, 105.1,
211/105.2, 106, 106.1, 113, 123, 181.1,
211/182-183; 242/570, 590, 595-598;
248/175, 176.1, 200, 201
CPC A47K 5/02; A47K 10/10; A47K 10/04;
A47K 2201/02; A47K 2201/00; A47K
10/12; A47G 25/0692; E05B 31/0015;
Y10S 16/41; Y10T 16/458; Y10T 16/462
See application file for complete search history.

(56) **References Cited**

U.S. PATENT DOCUMENTS

D466,741 S * 12/2002 Moore D6/549
D516,350 S * 3/2006 Chen D6/549
D523,272 S * 6/2006 Ferrer Beltran D6/546
D697,334 S * 1/2014 Starck D6/549
D771,408 S * 11/2016 Garland D6/549

* cited by examiner

Primary Examiner — Wan Laymon

Assistant Examiner — Mark Booker

(74) *Attorney, Agent, or Firm* — Edgar A. Zarins; Nirav
D. Parikh

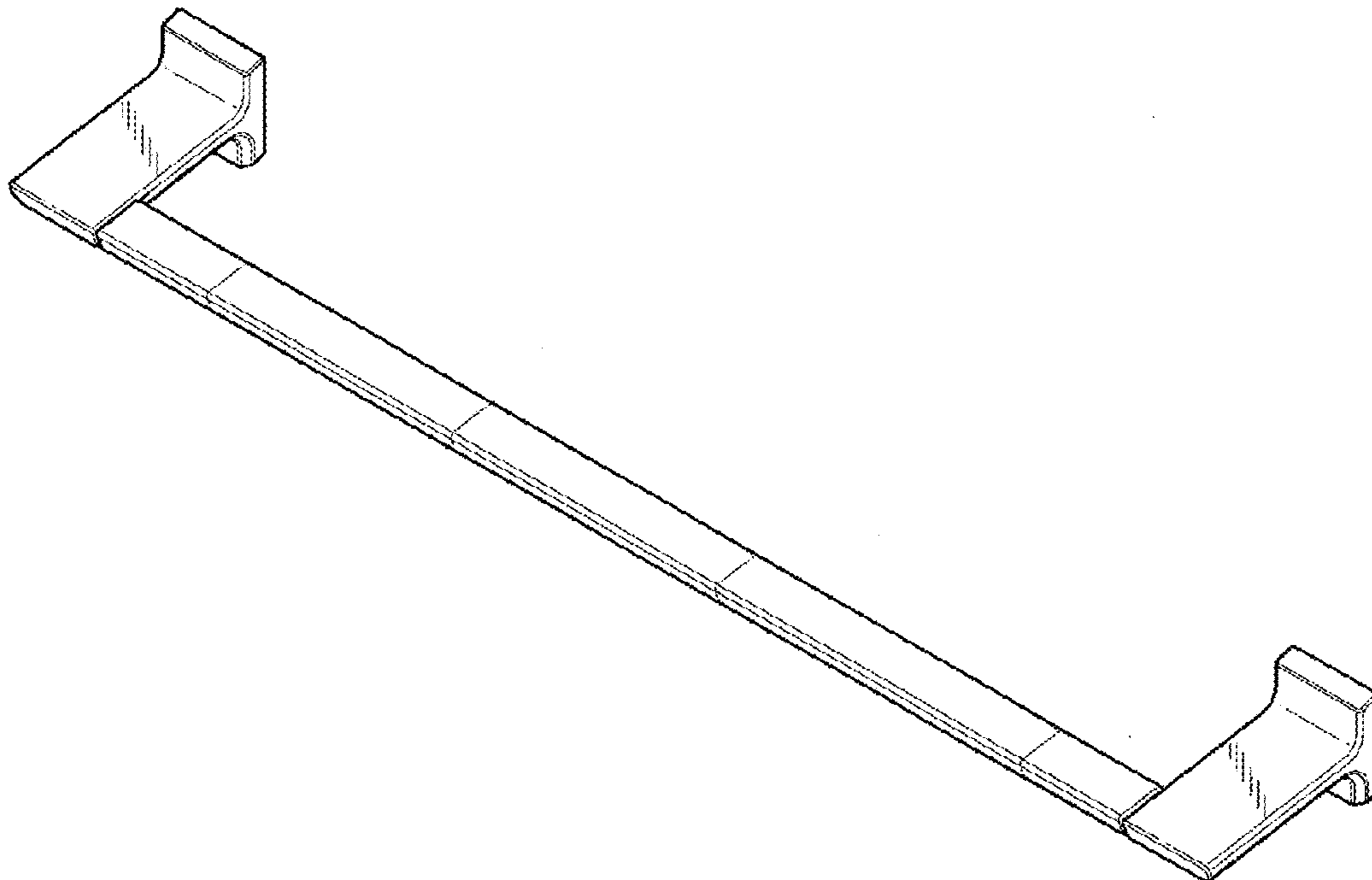
(57) **CLAIM**

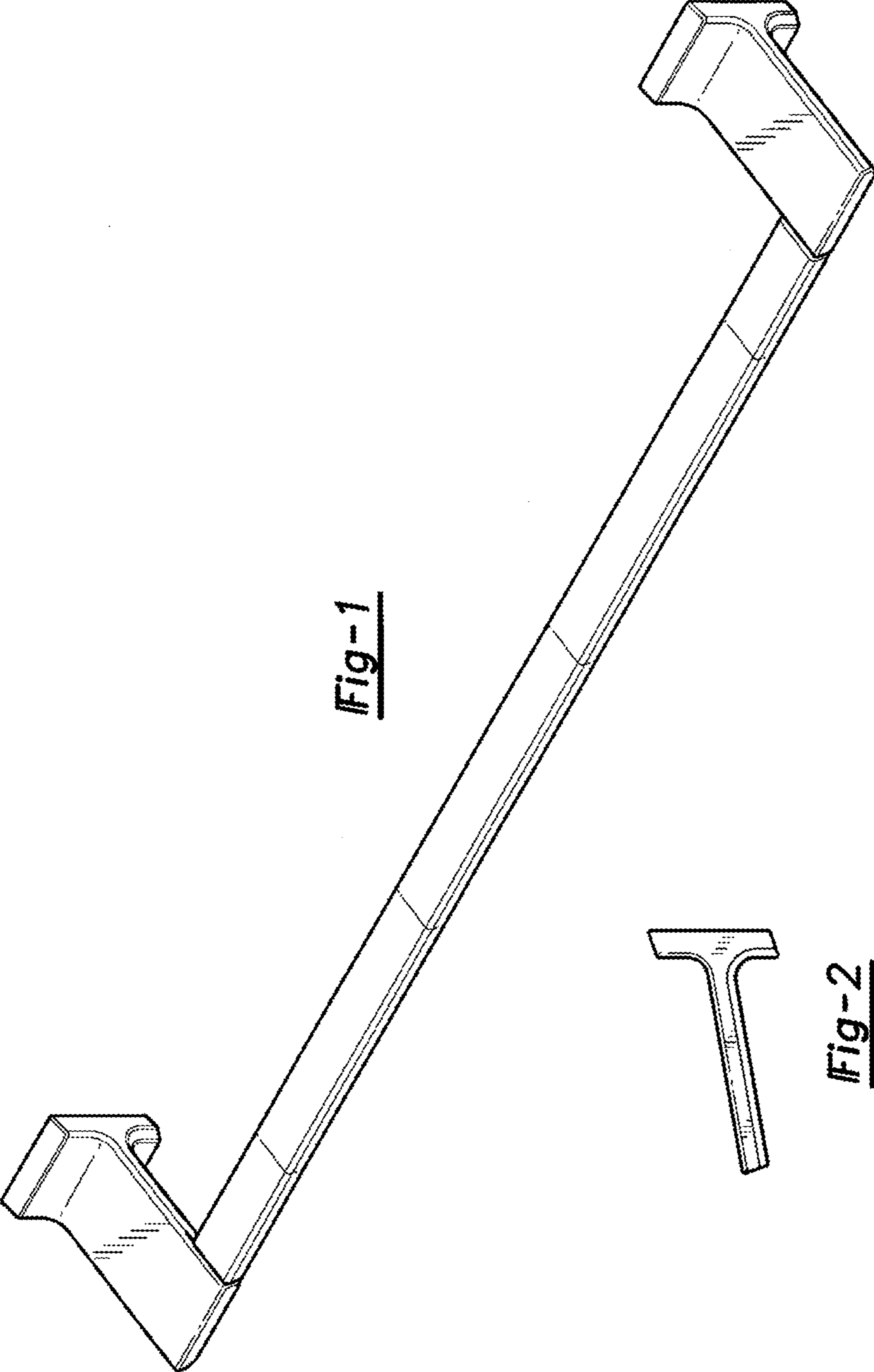
The ornamental design for a towel bar, as shown and
described.

DESCRIPTION

FIG. 1 is a perspective view of a towel bar showing my new
design;
FIG. 2 is a reduced first end view thereof, the opposite end
being a mirror image of the end shown;
FIG. 3 is a rear view thereof;
FIG. 4 is a top plan view thereof;
FIG. 5 is a front elevational view thereof; and,
FIG. 6 is a bottom view thereof.
The broken lines shown in FIG. 3 are included for the
purpose of illustrating portions of the towel bar and form no
part of the claimed design.

1 Claim, 3 Drawing Sheets





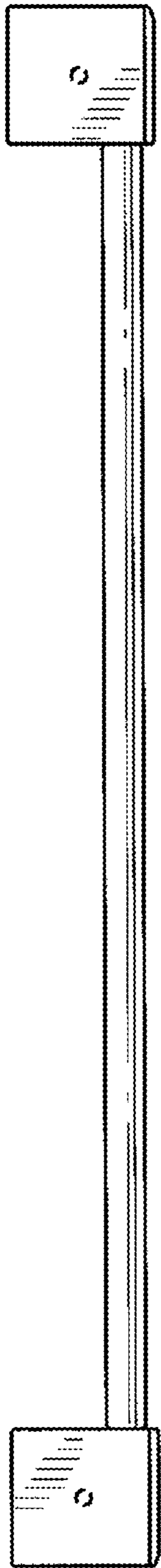


Fig-3

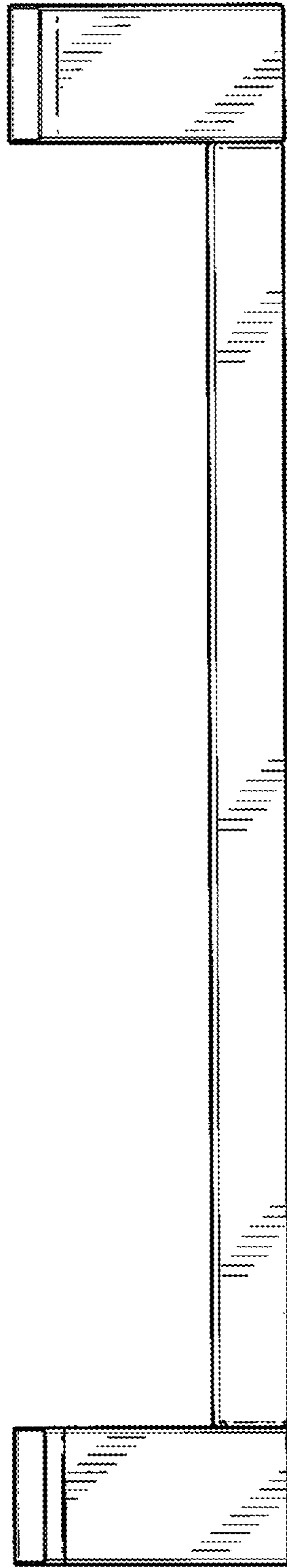


Fig-4

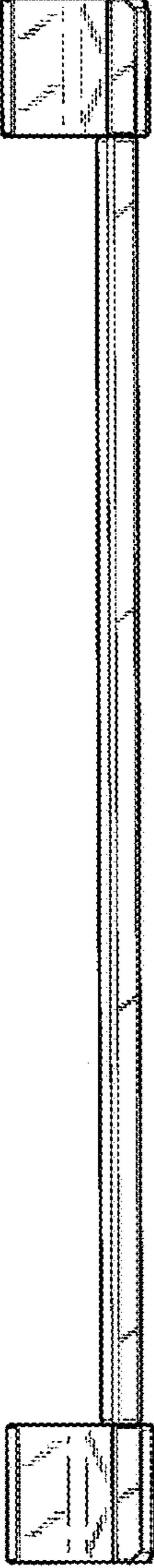


Fig-5

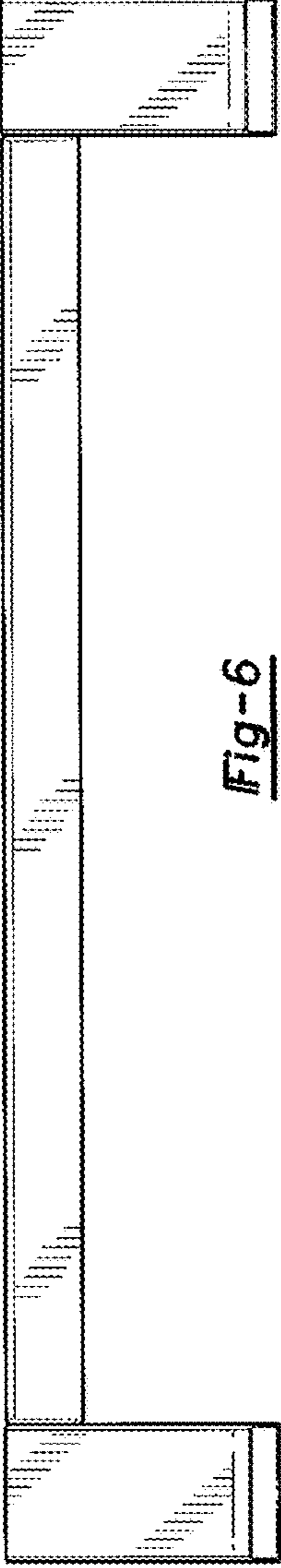


Fig-6