



US00D799851S

(12) **United States Design Patent**
Waxman

(10) **Patent No.:** **US D799,851 S**

(45) **Date of Patent:** **** Oct. 17, 2017**

(54) **LAP TRAY**

(71) Applicant: **Waxman Sales, LLC**, Spicewood, TX (US)

(72) Inventor: **Adam Waxman**, Spicewood, TX (US)

(73) Assignee: **Waxman Sales, LLC**, Spicewood, TX (US)

(**) Term: **15 Years**

(21) Appl. No.: **29/555,884**

(22) Filed: **Feb. 25, 2016**

(51) **LOC (10) Cl.** **06-03**

(52) **U.S. Cl.**
USPC **D6/406.6**

(58) **Field of Classification Search**
USPC D6/512, 685-686, 691, 704, 707.19,
D6/406.1, 406.2, 406.3, 406.4, 406.5,
D6/406.6; D7/545, 550.1, 552.2, 554.3
CPC A47G 23/06; A47G 23/08; A47G 23/0608;
A47B 19/08; A47B 23/00; A47B 23/001
See application file for complete search history.

(56) **References Cited**

U.S. PATENT DOCUMENTS

D281,555 S	*	12/1985	Levy	D6/406.6
D319,358 S	*	8/1991	Giugiaro	D6/406.1
D358,511 S	*	5/1995	Frahm	D21/522
D385,126 S	*	10/1997	Howland	D6/406.6
D390,718 S	*	2/1998	Howland	D6/406.6
D404,219 S	*	1/1999	Patterson	D6/406.5
D404,589 S	*	1/1999	Taylor	D6/406.4
D428,729 S	*	8/2000	Weitzman	D6/406.5
D539,569 S	*	4/2007	Lewis	D6/406.6
D551,876 S	*	10/2007	Gusdorf	D6/406.6
D614,889 S	*	5/2010	Van Duysen	D6/691.5

D619,822 S	*	7/2010	Damgaard-Sorensen	..	D6/406.1
D624,922 S	*	10/2010	Hui	D14/447
D650,614 S	*	12/2011	Martin	D6/702
D668,472 S	*	10/2012	Wong	D6/406.5
D679,921 S	*	4/2013	Kiechler	D6/406.5
8,667,903 B1	*	3/2014	Goltry	A47B 1/05 108/132
D723,830 S	*	3/2015	Tcholakov	D6/406.6
D754,988 S	*	5/2016	Fountain, Jr.	D6/406.3
D774,650 S	*	12/2016	Williams	D24/185
9,578,960 B1	*	2/2017	Wu	A47B 21/0314

* cited by examiner

Primary Examiner — Kelley Donnelly

(74) *Attorney, Agent, or Firm* — McAndrews, Held & Malloy, Ltd.

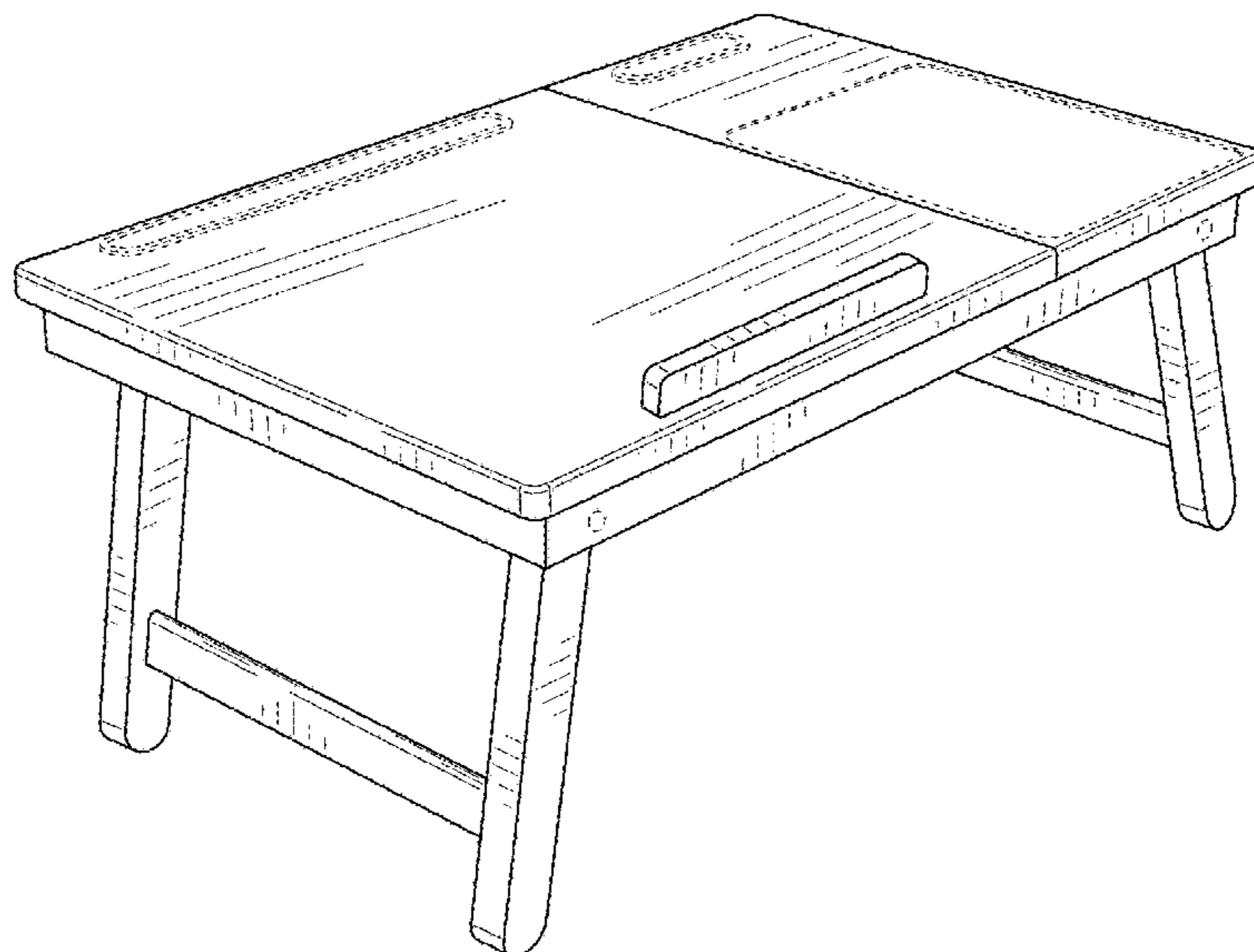
(57) **CLAIM**

The ornamental design for a lap tray, as shown and described.

DESCRIPTION

FIG. 1 is a top front perspective view of a lap tray showing my new design;
 FIG. 2 is a front elevation view thereof;
 FIG. 3 is a rear elevation view thereof;
 FIG. 4 is a right-side elevation view thereof;
 FIG. 5 is a left-side elevation view thereof;
 FIG. 6 is a top plan view thereof;
 FIG. 7 is a bottom plan view thereof;
 FIG. 8 is a rear bottom perspective view thereof;
 FIG. 9 is a top front perspective view thereof in an open position; and,
 FIG. 10 is a top rear perspective view thereof in an open position.
 The dashed broken lines show portions of the lap tray that form no part of the claimed design.

1 Claim, 7 Drawing Sheets



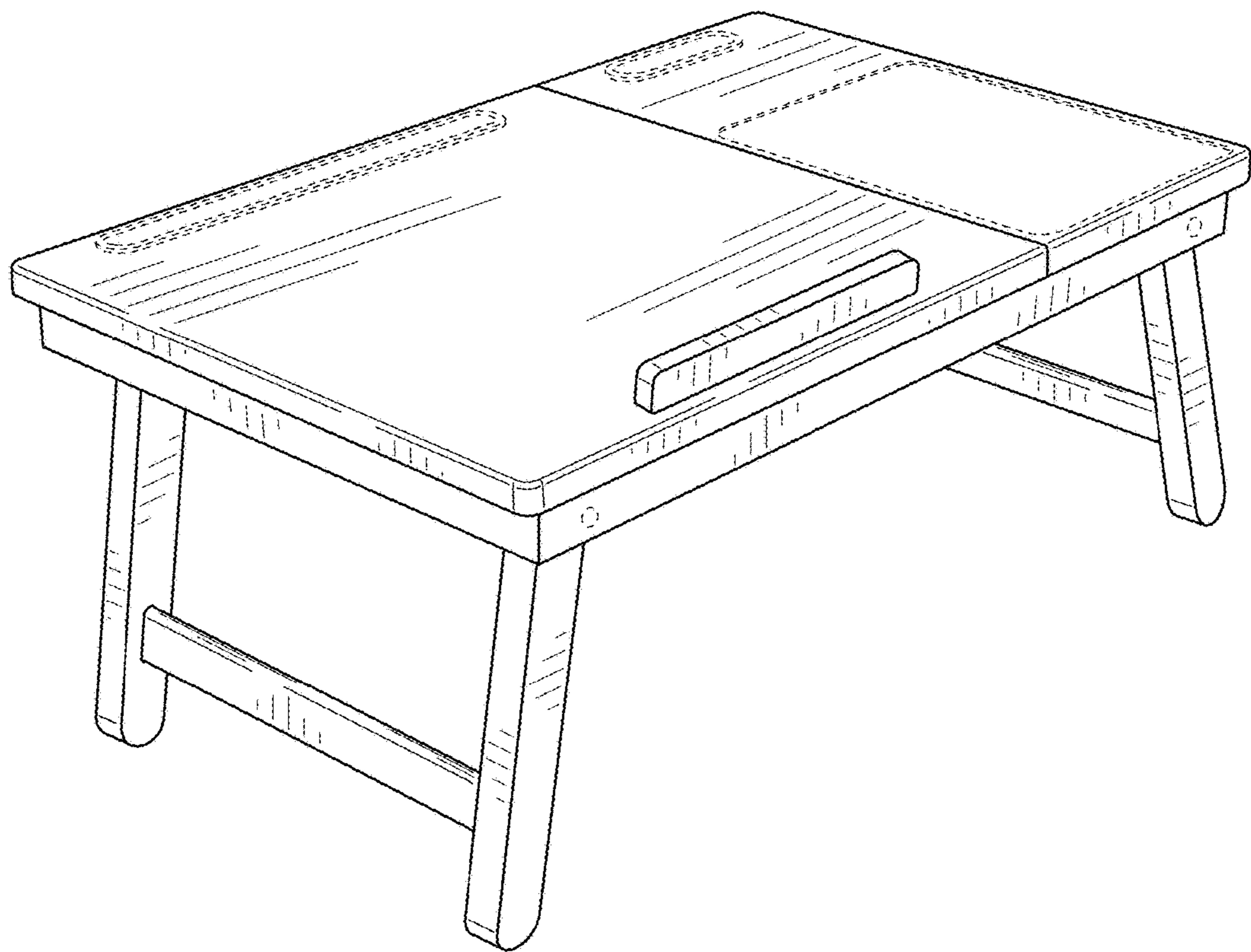


FIG. 1

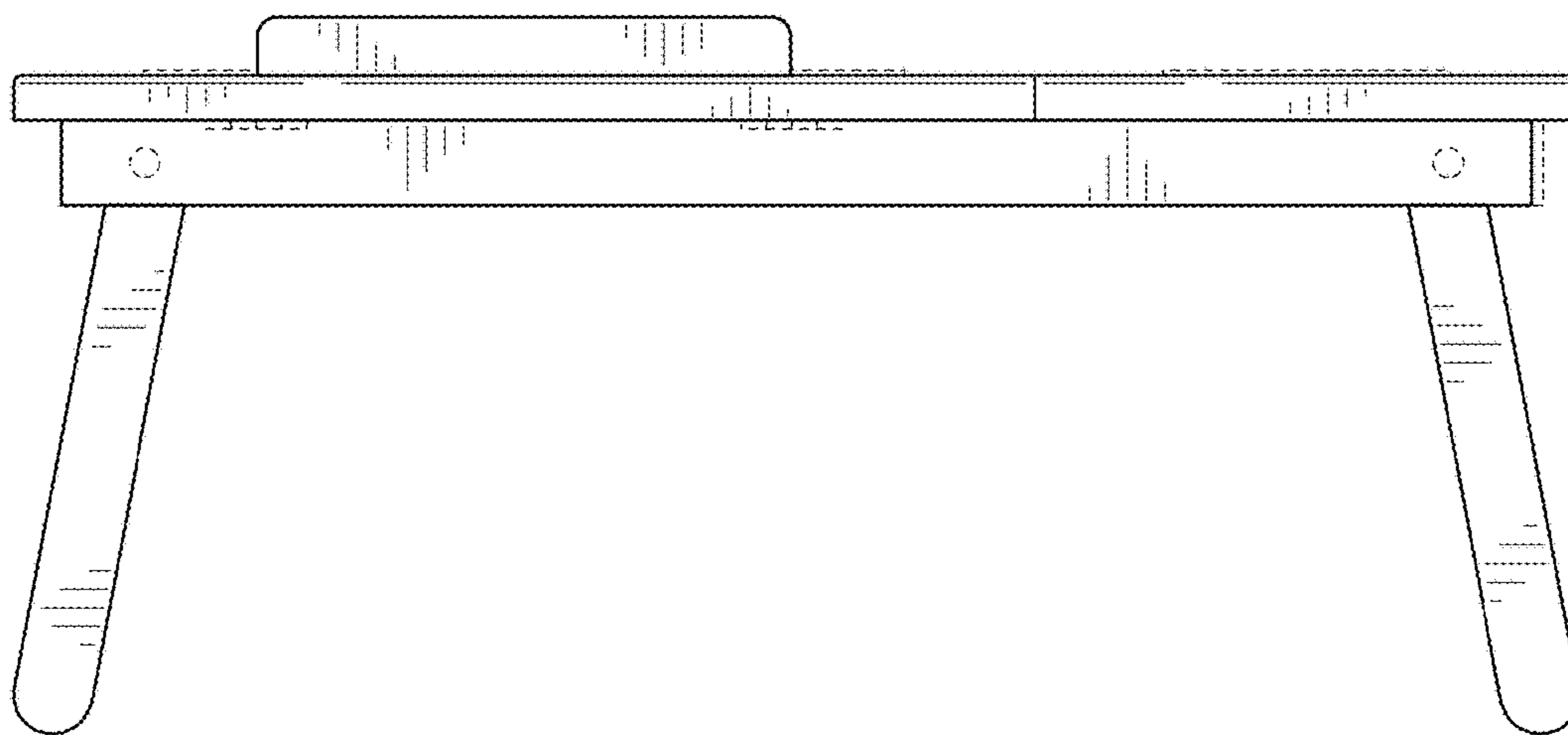


FIG. 2

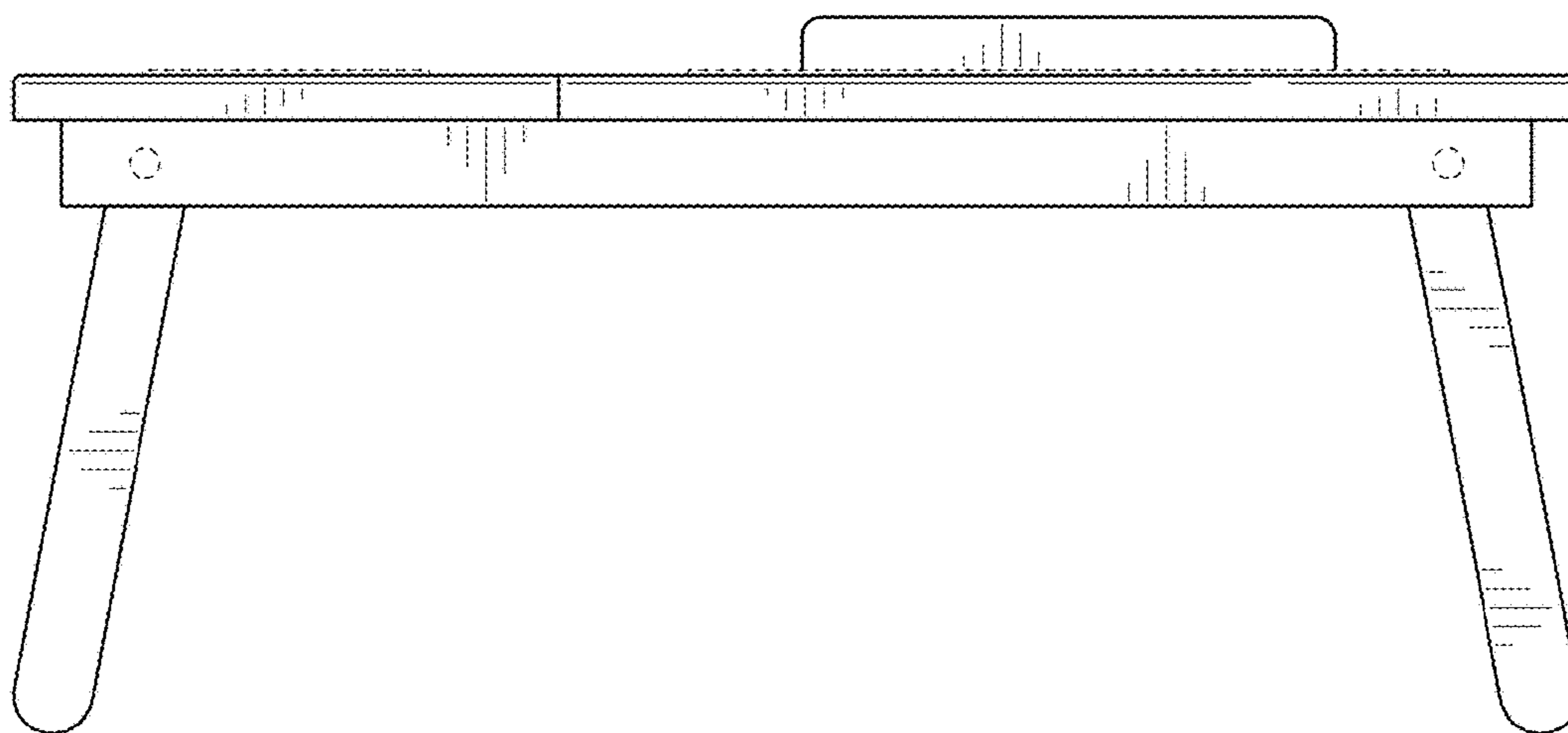


FIG. 3

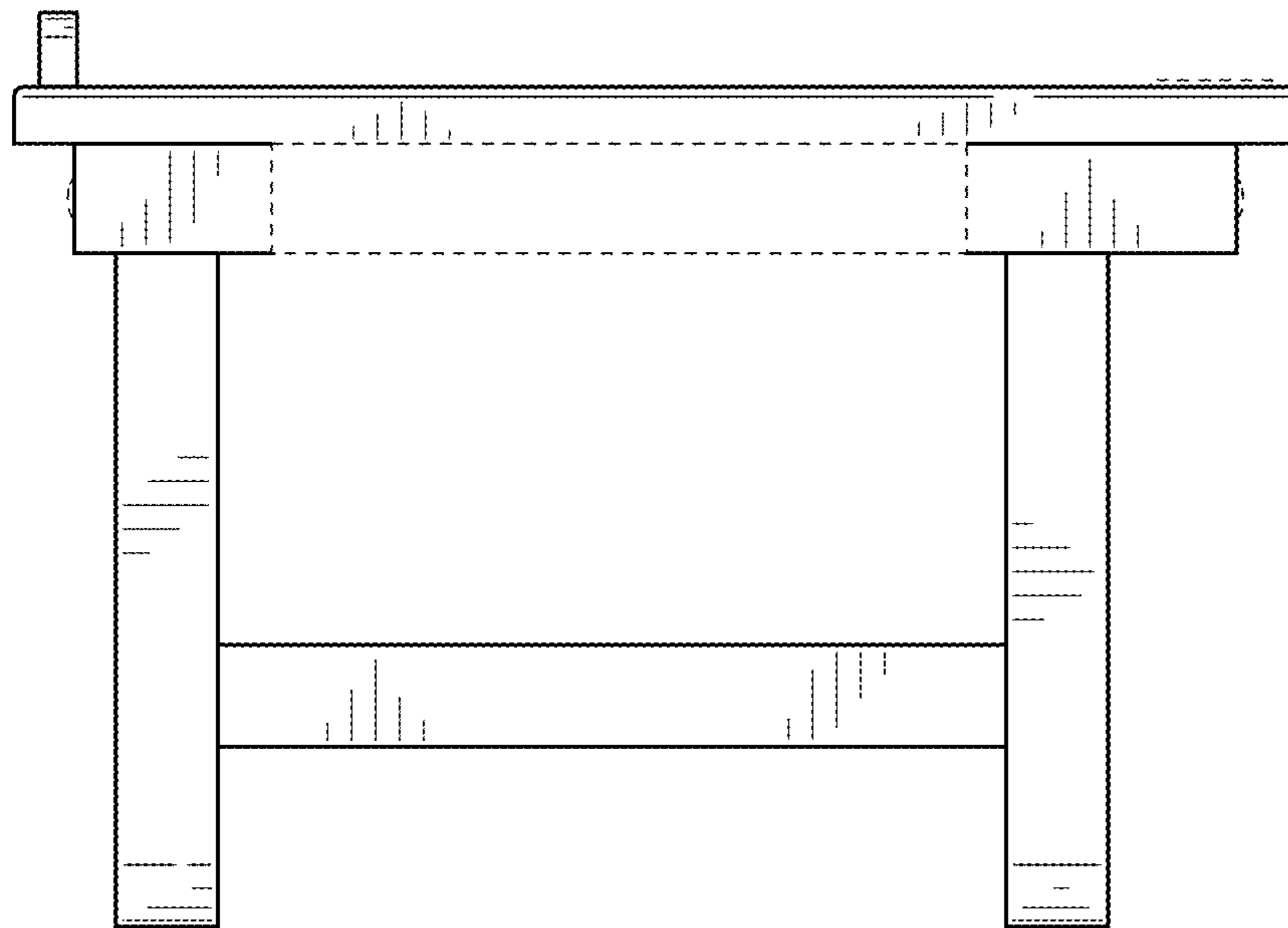


FIG. 4

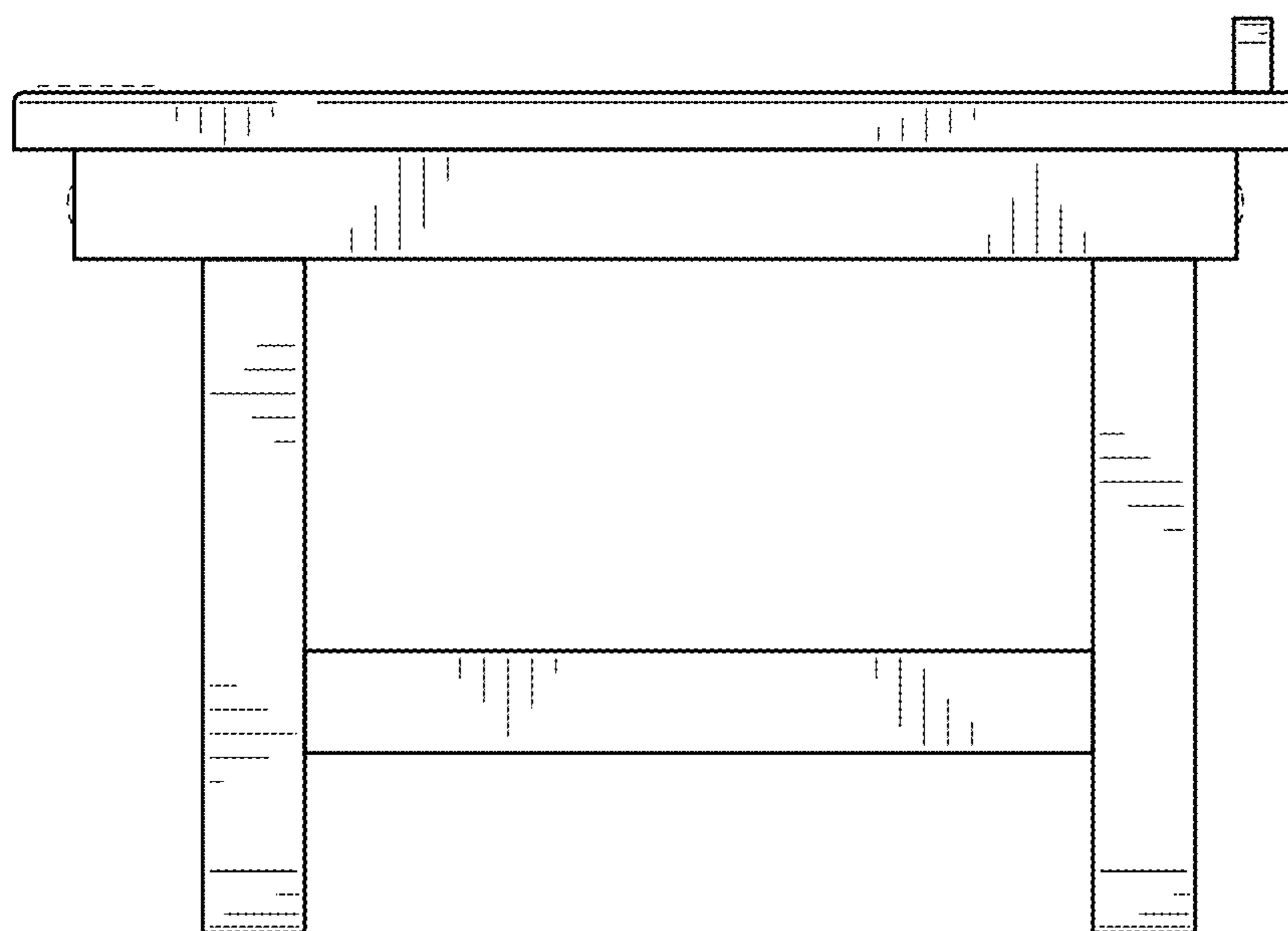


FIG. 5

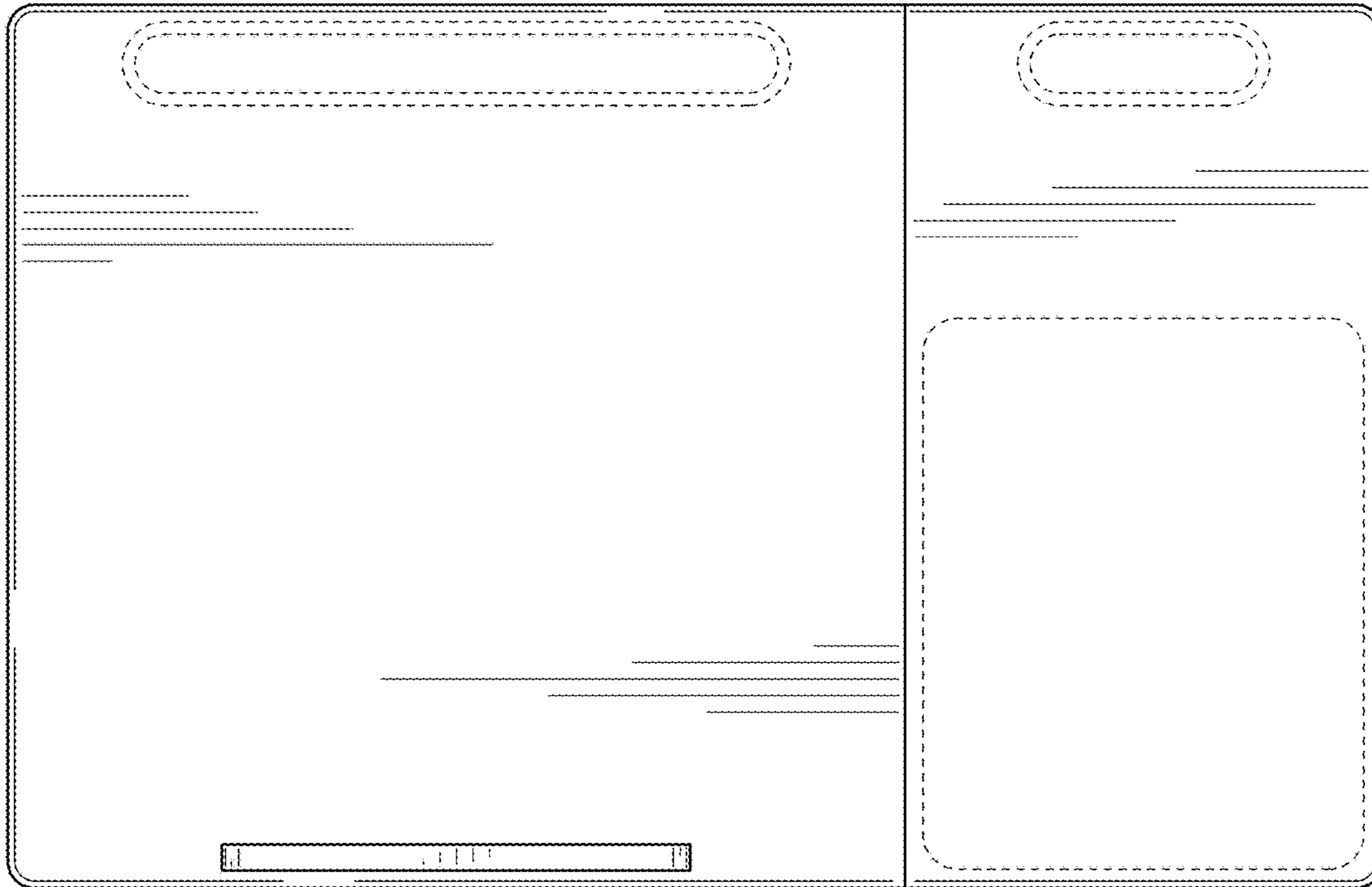


FIG. 6

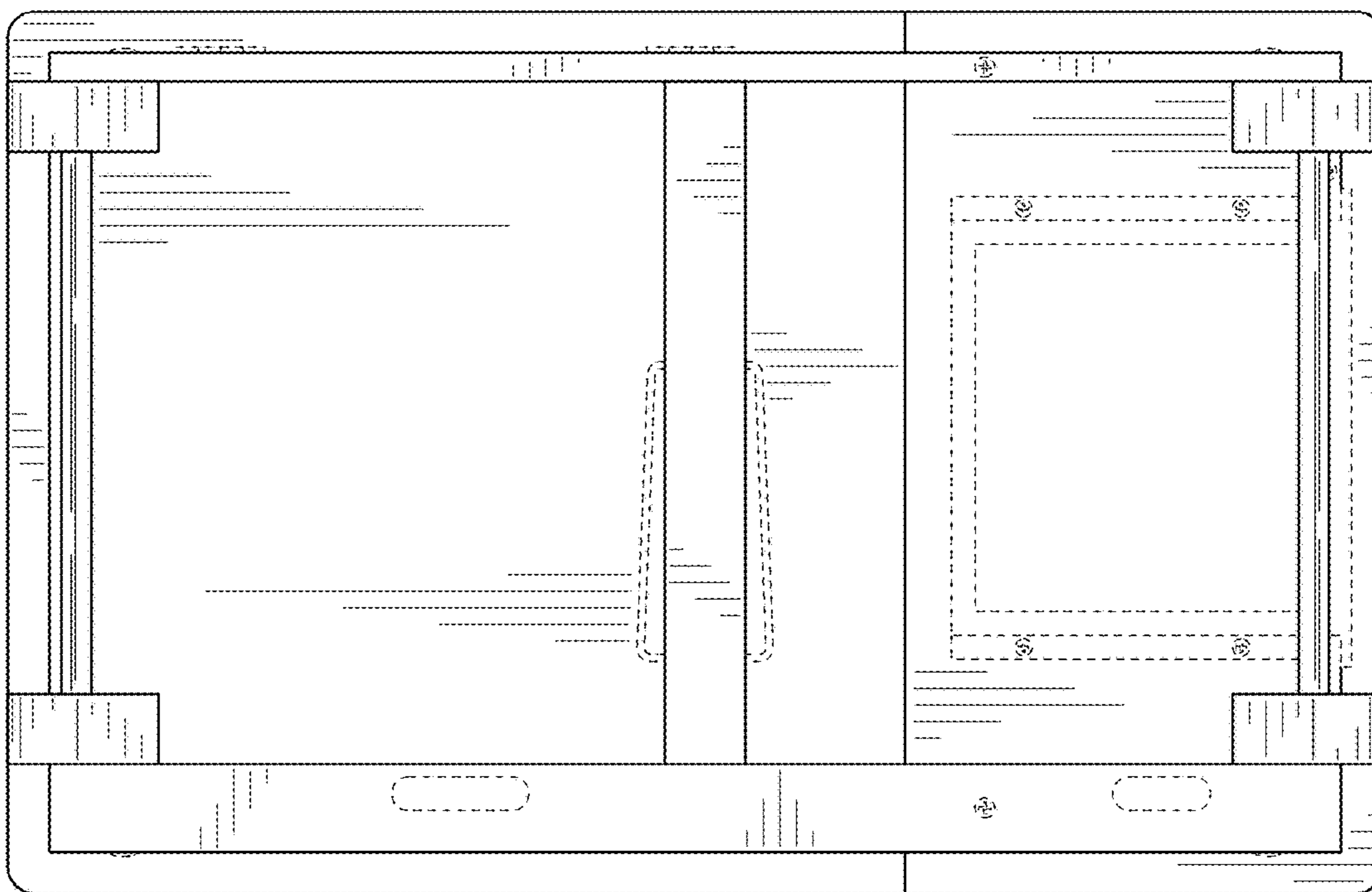


FIG. 7

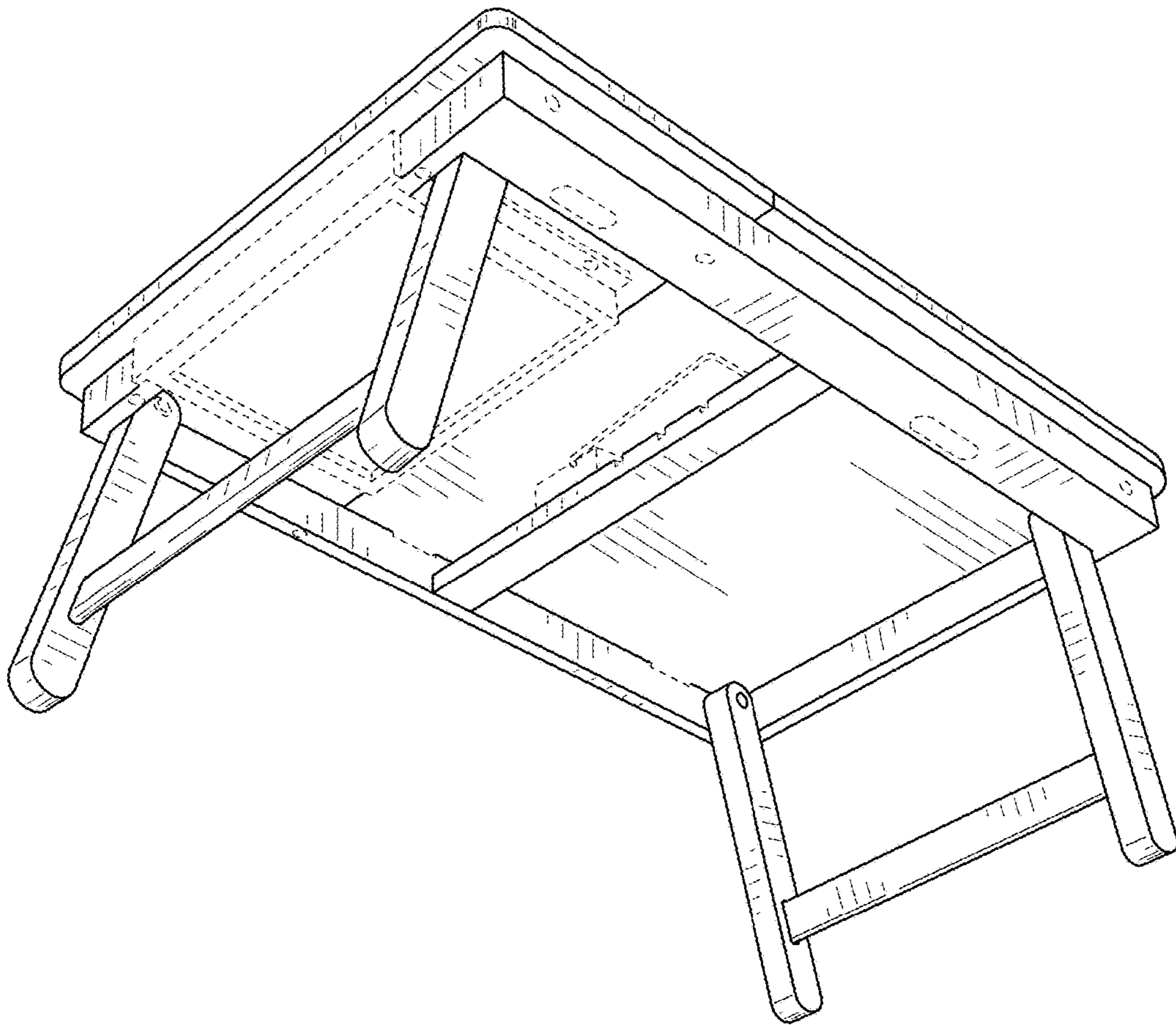


FIG. 8

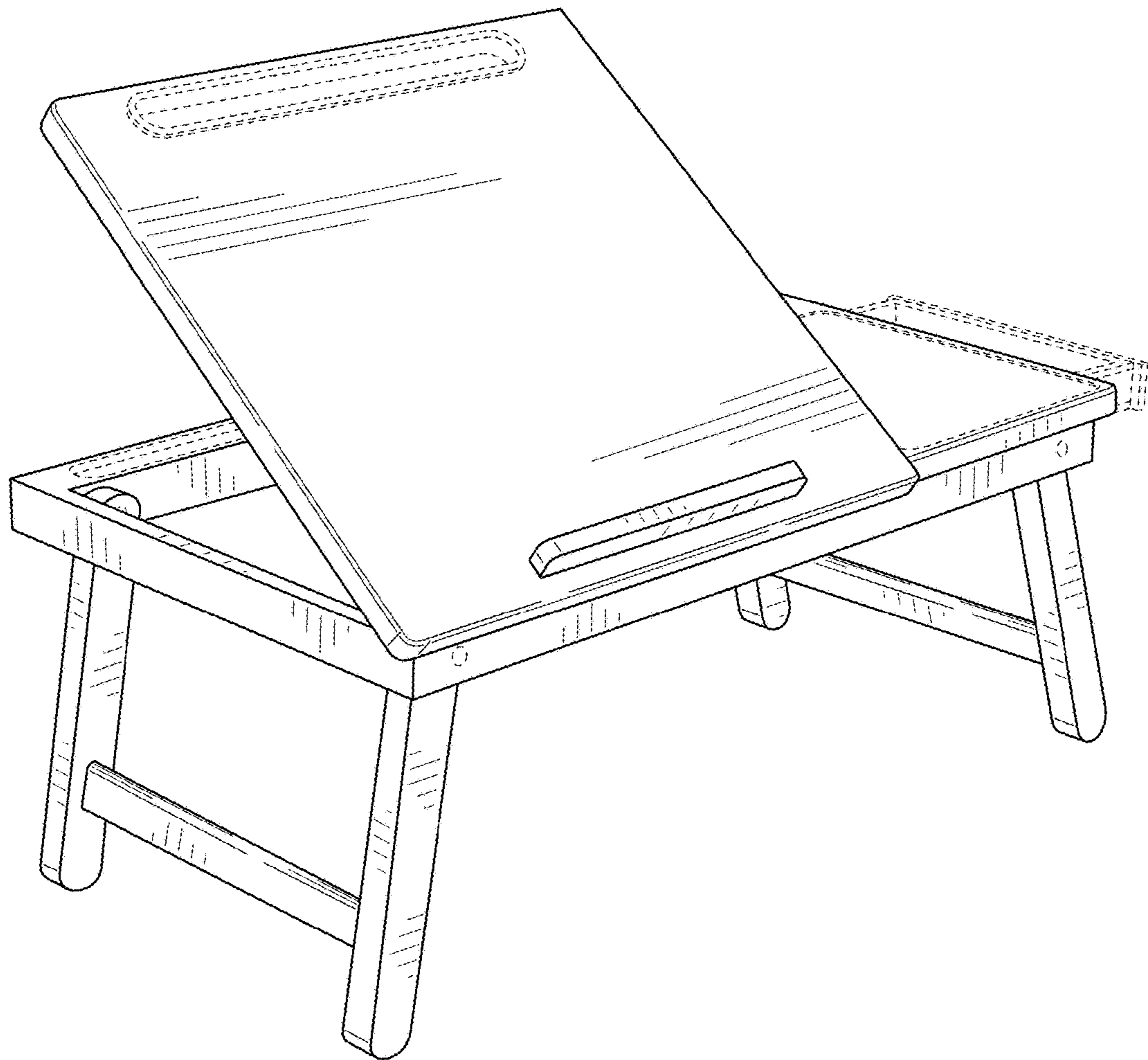


FIG. 9

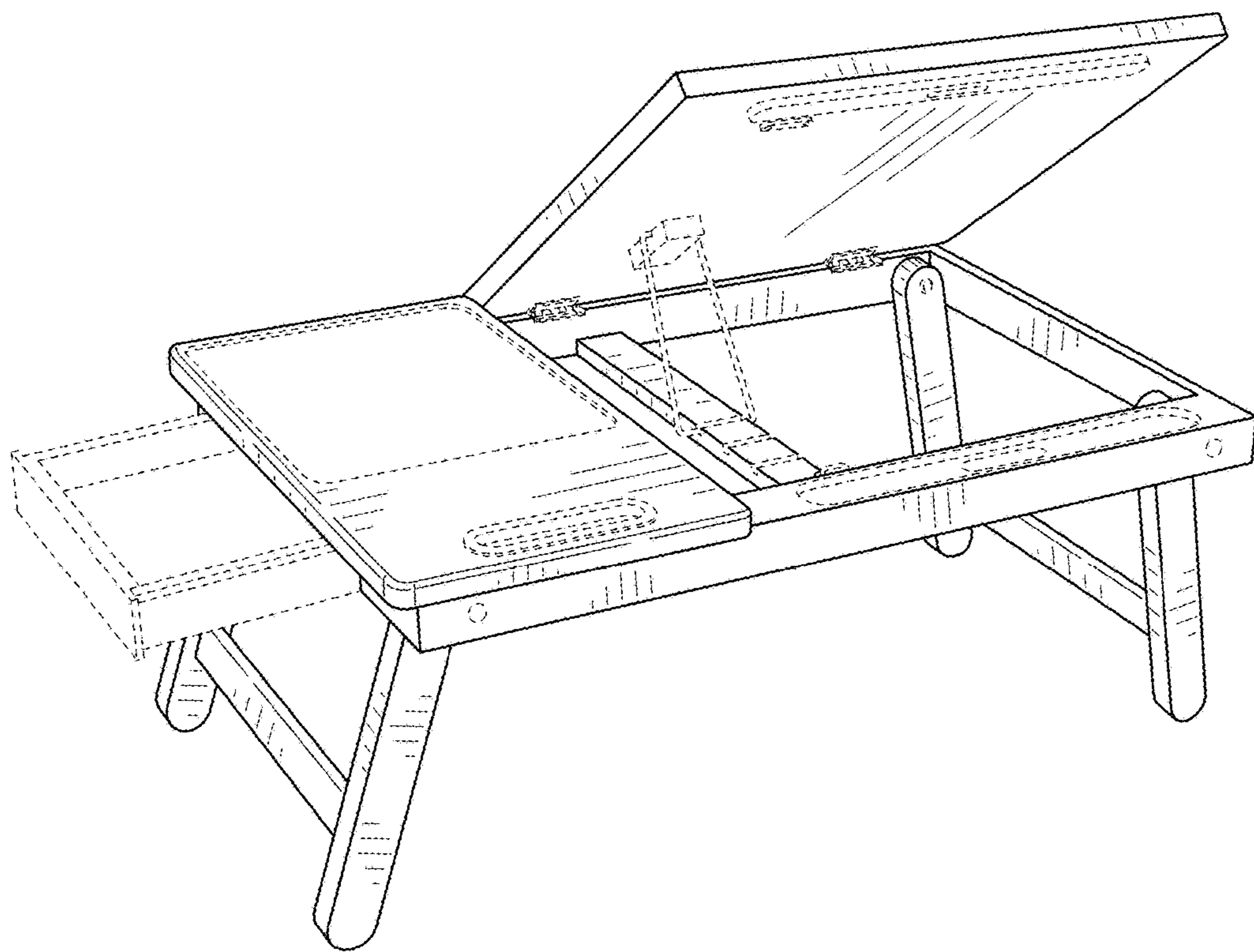


FIG. 10