



US00D799850S

(12) **United States Design Patent**  
**Heidelberger et al.**

(10) **Patent No.:** **US D799,850 S**

(45) **Date of Patent:** **\*\* Oct. 17, 2017**

(54) **UNDER HOOD SERVICE TRAY**

(71) Applicant: **KKU, INC.**, Tokyo (JP)

(72) Inventors: **Richard Heidelberger**, Mauldin, SC (US); **Michael Staples**, Mauldin, SC (US); **Alexis Barfoot**, Mauldin, SC (US)

(73) Assignee: **KKU, INC.**, Tokyo (JP)

(\*\*) Term: **15 Years**

(21) Appl. No.: **29/564,965**

(22) Filed: **May 17, 2016**

(51) **LOC (10) Cl.** ..... **06-03**

(52) **U.S. Cl.**  
USPC ..... **D6/406.2**

(58) **Field of Classification Search**  
USPC ..... D6/406.1-406.5, 675; D3/274; D19/91; 108/43, 115  
CPC ..... A47B 3/087; A47B 23/046; B25H 5/00; B25H 1/0007  
See application file for complete search history.

(56) **References Cited**

**U.S. PATENT DOCUMENTS**

|             |         |              |
|-------------|---------|--------------|
| 1,660,521 A | 2/1928  | Nordgren     |
| 1,833,829 A | 11/1931 | Doolin       |
| 1,867,763 A | 7/1932  | Rose         |
| 2,701,168 A | 2/1955  | Schemers     |
| 2,805,778 A | 9/1957  | Yordi        |
| 2,872,252 A | 2/1959  | Konkle       |
| 2,925,917 A | 2/1960  | Kammeyer     |
| 2,962,333 A | 11/1960 | Policastro   |
| 3,107,636 A | 10/1963 | Kinght       |
| 3,854,428 A | 12/1974 | Fullenkamp   |
| 4,401,036 A | 8/1983  | Russo et al. |
| 4,435,863 A | 3/1984  | Lerich       |
| 4,488,497 A | 12/1984 | Bevans       |
| 4,715,573 A | 12/1987 | Liegel       |

D296,851 S 7/1988 Kelley  
4,880,248 A 11/1989 Elmer  
5,080,381 A 1/1992 Perez  
5,108,118 A 4/1992 Schaevitz

(Continued)

*Primary Examiner* — John Windmuller

*Assistant Examiner* — Melvin L Davis

(74) *Attorney, Agent, or Firm* — J. Bennett Mullinax, LLC

(57) **CLAIM**

The ornamental design for under hood service tray, as shown and described.

**DESCRIPTION**

FIG. 1 is a right side view of an under hood service tray according to the present design;

FIG. 2 is a top view of an under hood service tray as shown in FIG. 1;

FIG. 3 is a rear view of an under hood service tray as shown in FIG. 1;

FIG. 4 is a bottom view of an under hood service tray as shown in FIG. 1;

FIG. 5 is a front view of an under hood service tray as shown in FIG. 1;

FIG. 6 is a front perspective view of an under hood service tray as shown in FIG. 1;

FIG. 7 is a left side view of an under hood service tray as shown in FIG. 1;

FIG. 8 is a right side view of an under hood service tray in an alternative use condition;

FIG. 9 is a top view thereof;

FIG. 10 is a rear view thereof;

FIG. 11 is a bottom view thereof;

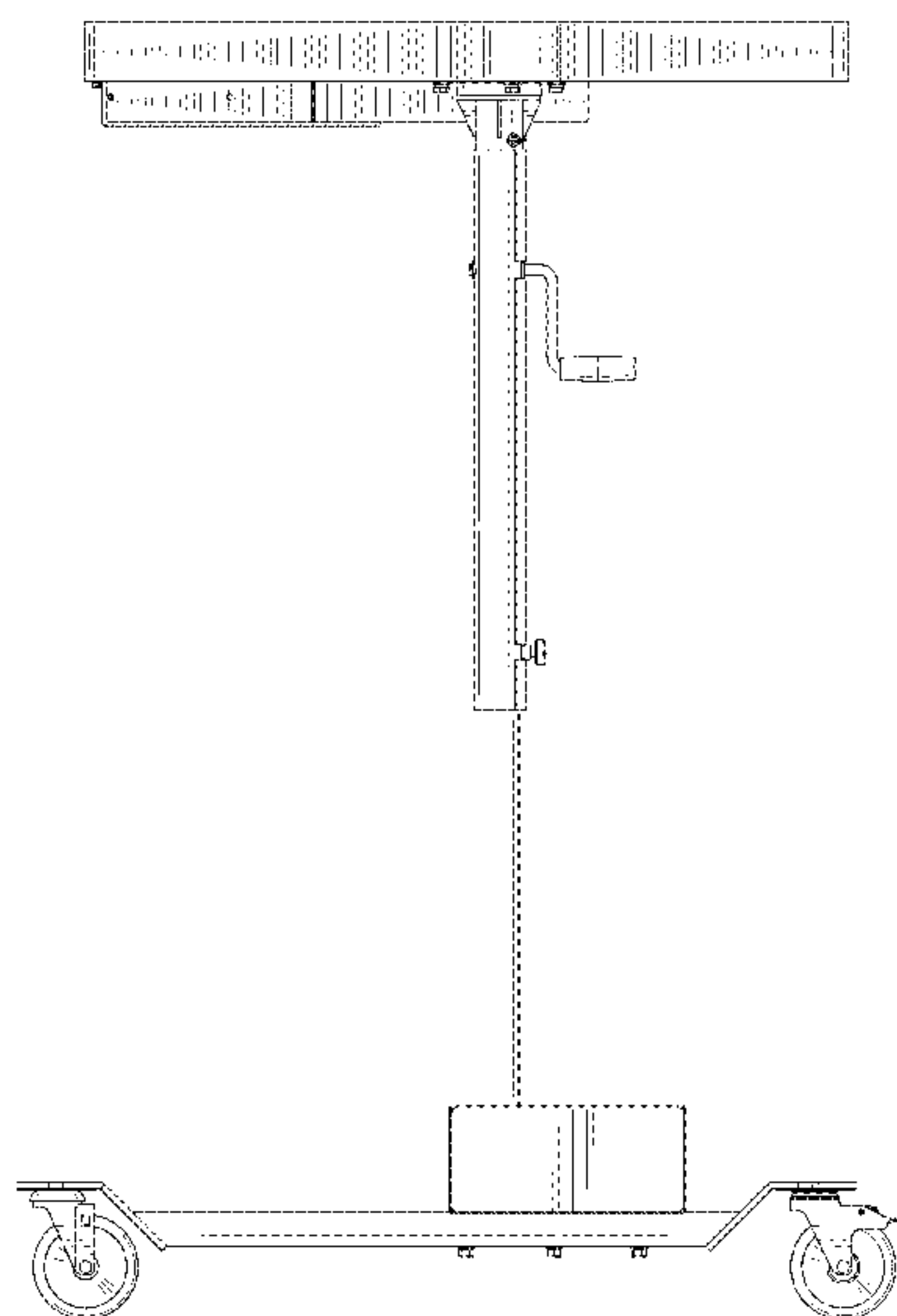
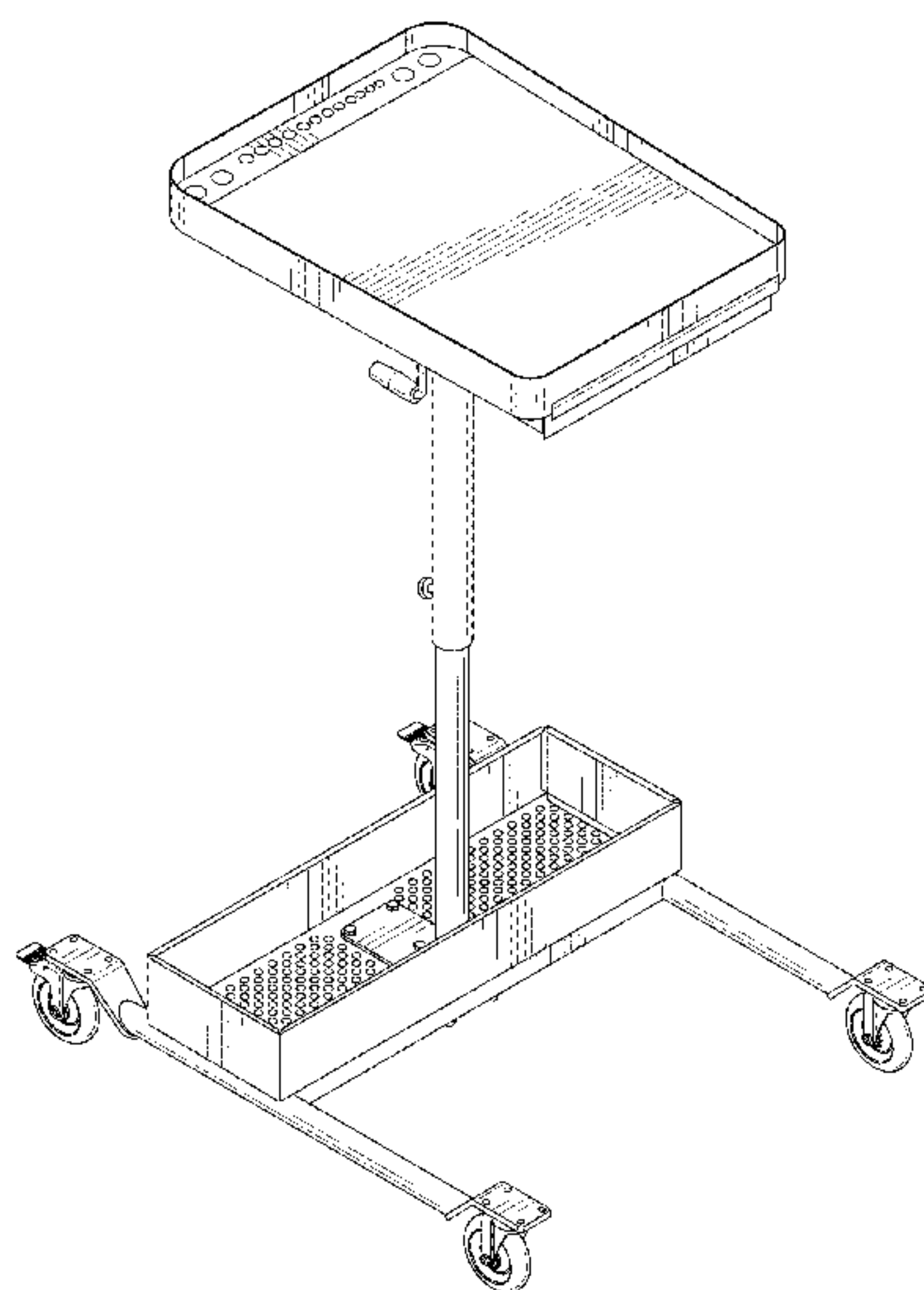
FIG. 12 is a front view thereof;

FIG. 13 is a front perspective view thereof; and,

FIG. 14 is a left side view thereof.

The broken lines shown in the drawing disclosure are for illustrative purposes only and form no part of the claimed design.

**1 Claim, 14 Drawing Sheets**



(56)

References Cited

U.S. PATENT DOCUMENTS

5,149,114 A 9/1992 Lewandowski et al.  
 5,165,632 A 11/1992 Kuan  
 2,628,147 A 1/1993 Berner  
 5,181,681 A 1/1993 Edwards  
 5,330,209 A 7/1994 Pool  
 D353,926 S 12/1994 Aguilar et al.  
 5,374,019 A 12/1994 Fischer  
 5,375,862 A 12/1994 Sirianno  
 5,460,392 A \* 10/1995 Hansen ..... B25H 5/00  
 280/32.5  
 5,511,674 A 4/1996 Boyd et al.  
 D375,641 S \* 11/1996 Dhanapal ..... D6/406.1  
 D381,835 S 8/1997 Corpuz et al.  
 D394,965 S 6/1998 Fang  
 5,785,329 A 7/1998 Stanley  
 5,971,512 A 10/1999 Swan  
 6,240,856 B1 6/2001 Paskey et al.  
 D467,754 S \* 12/2002 Chen ..... D6/406.1  
 6,688,634 B2 2/2004 Noffsinger  
 D501,336 S 2/2005 Lin  
 6,910,429 B1 6/2005 Matay et al.  
 D548,496 S 8/2007 Samtani et al

7,428,759 B2 9/2008 Bain et al.  
 7,441,786 B2 10/2008 Stryker et al.  
 7,490,837 B2 2/2009 Pond et al.  
 7,611,126 B2 11/2009 Vesa  
 D612,169 S 3/2010 Cahng  
 D620,276 S \* 7/2010 Miller ..... D6/406.2  
 D638,637 S 5/2011 Foley  
 D669,651 S \* 10/2012 Ono ..... D34/12  
 D687,656 S \* 8/2013 Copeland ..... D6/656.15  
 D692,702 S \* 11/2013 Miller ..... D6/677.3  
 8,613,454 B2 \* 12/2013 Foley ..... A47B 23/046  
 108/147  
 D714,073 S \* 9/2014 Pittman ..... D6/406.2  
 8,960,104 B2 \* 2/2015 Copeland ..... A47B 3/00  
 108/117  
 9,073,201 B1 7/2015 Foley  
 D774,810 S \* 12/2016 Biddle ..... D6/691.4  
 2003/0062700 A1 4/2003 Stallbaumer  
 2005/0098967 A1 5/2005 Hernandez  
 2005/0161894 A1 7/2005 Lensing  
 2005/0204967 A1 9/2005 Wrinkle  
 2006/0170170 A1 8/2006 Whiteside et al.  
 2007/0289506 A1 \* 12/2007 Branch ..... A47B 23/046  
 108/116

\* cited by examiner

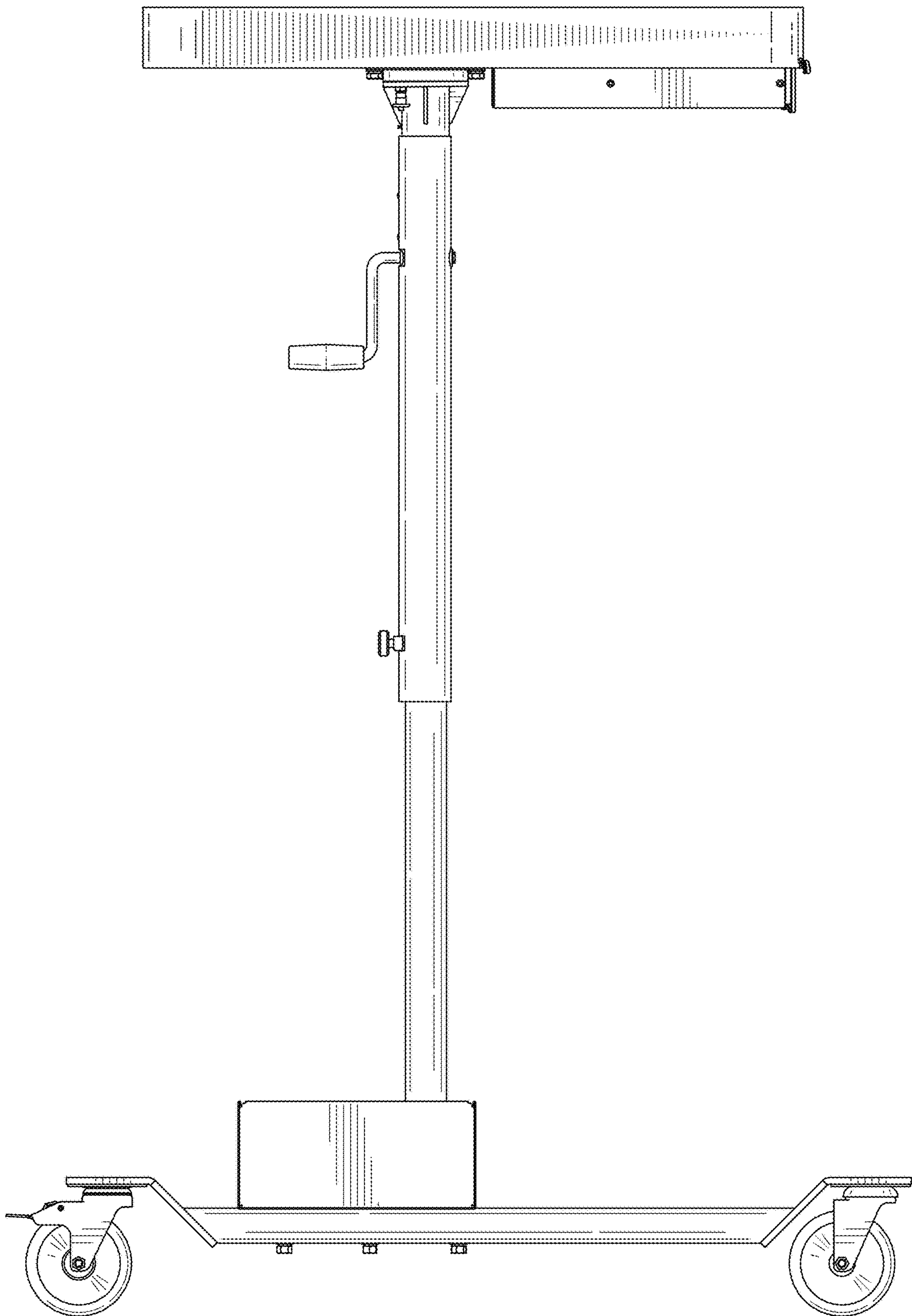


FIG. 1

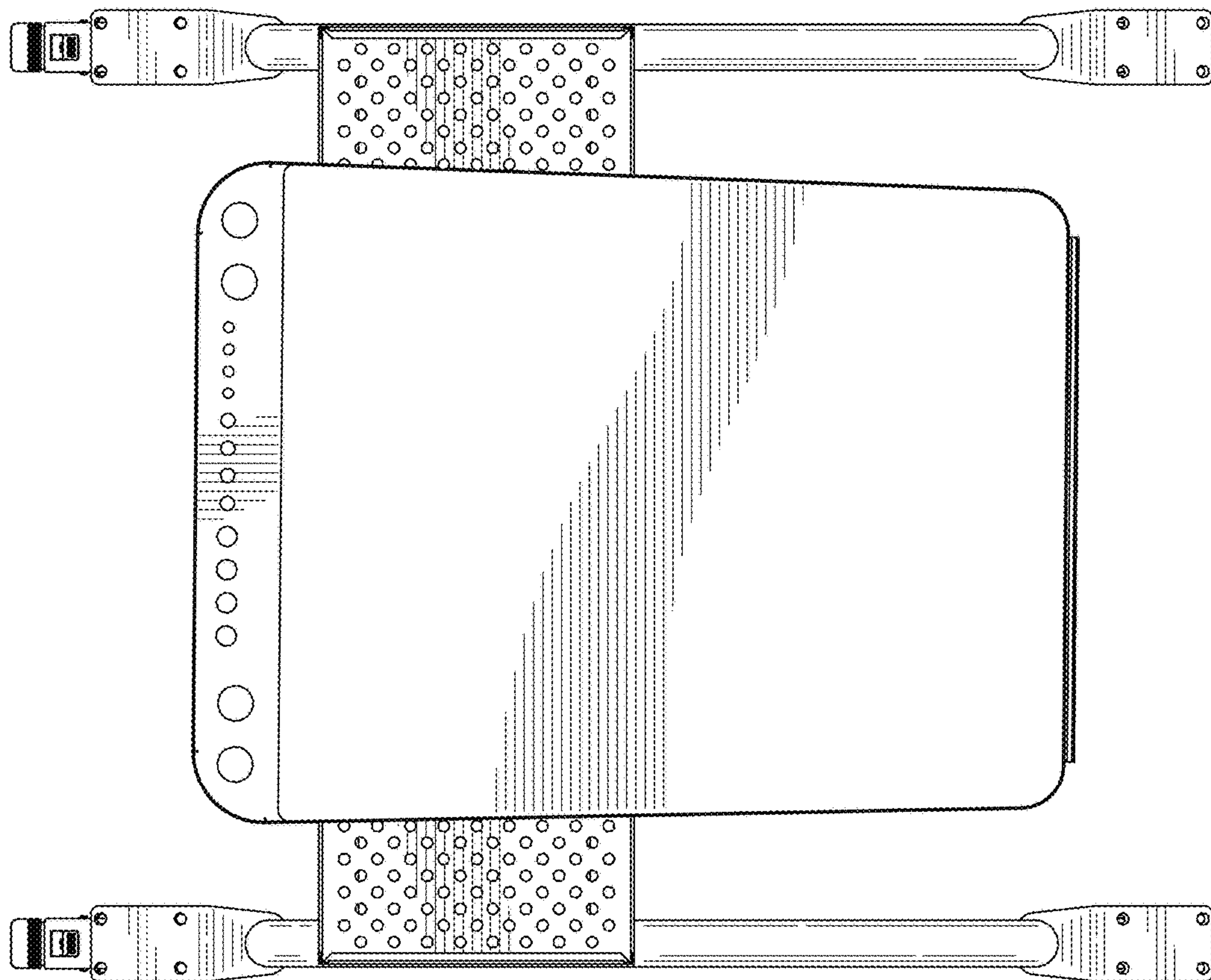


FIG. 2



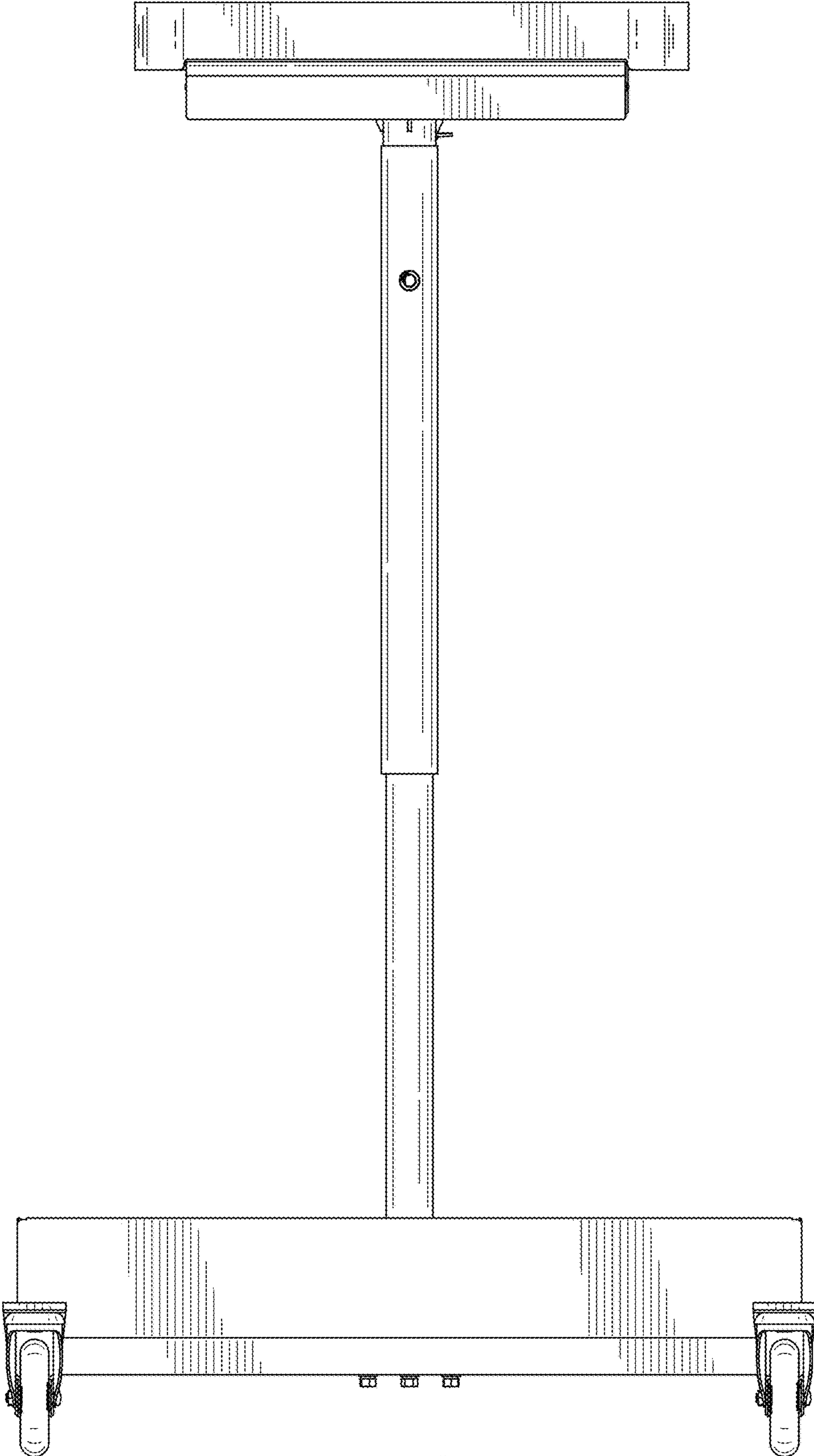


FIG. 3

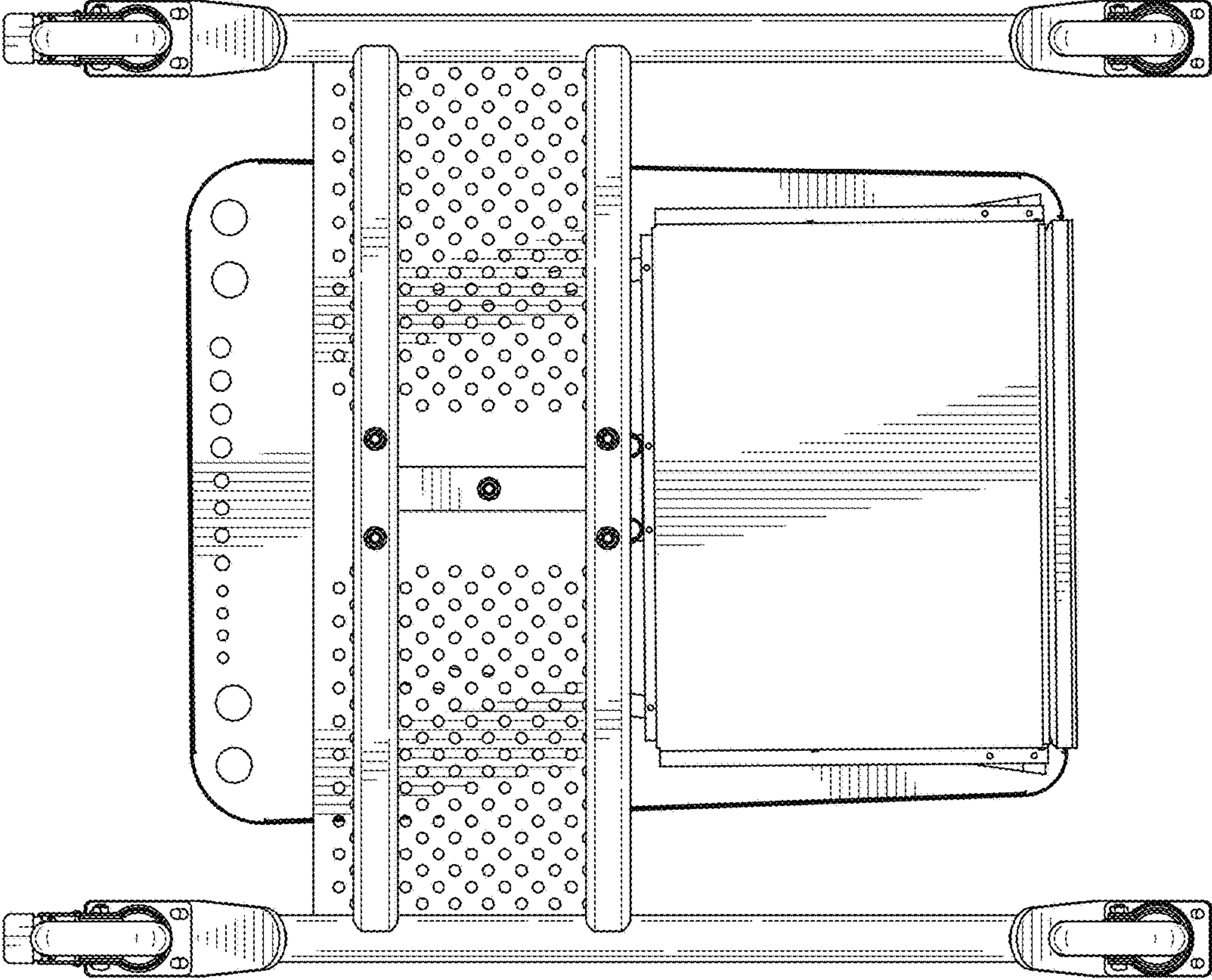


FIG. 4

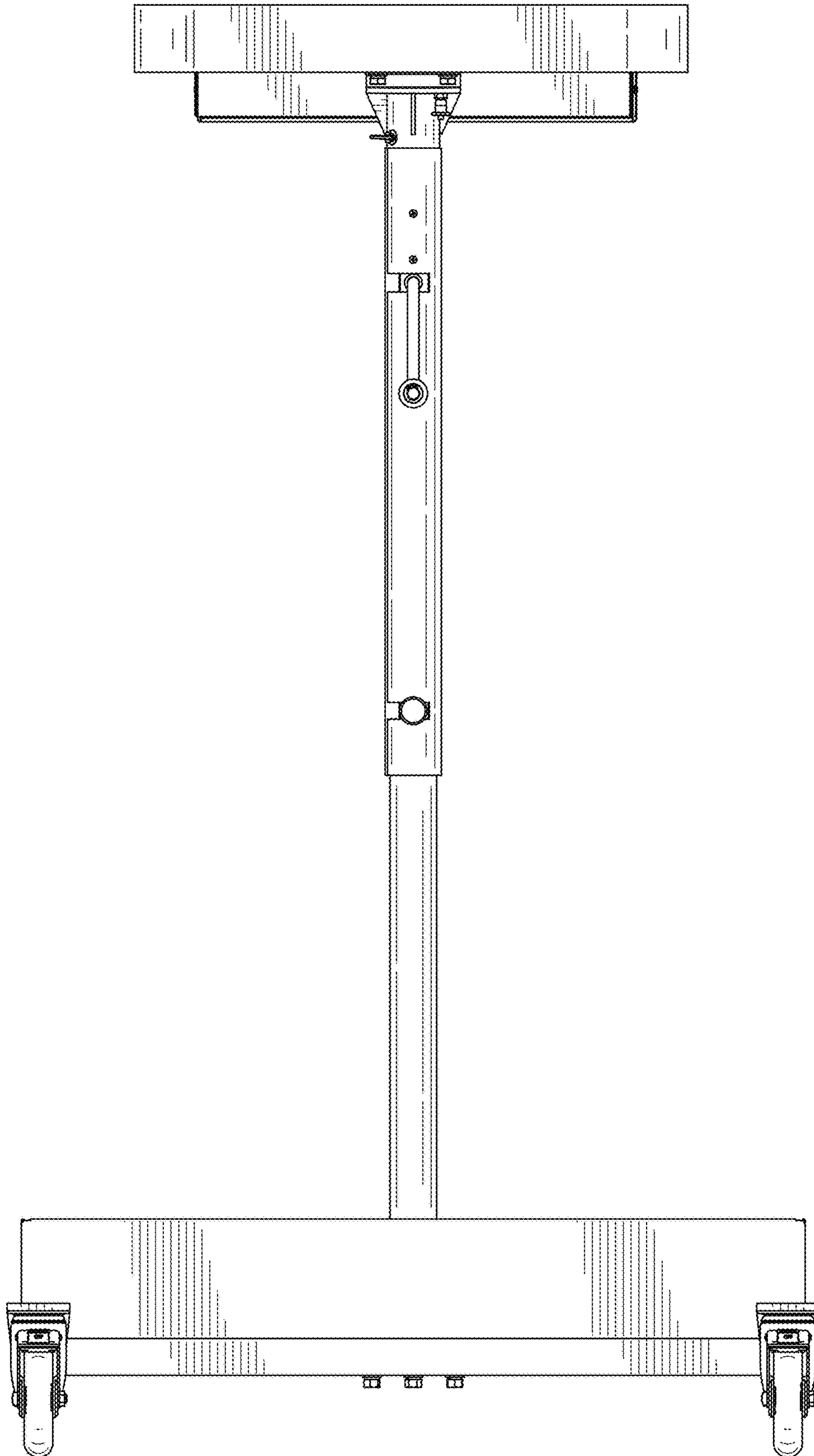


FIG. 5

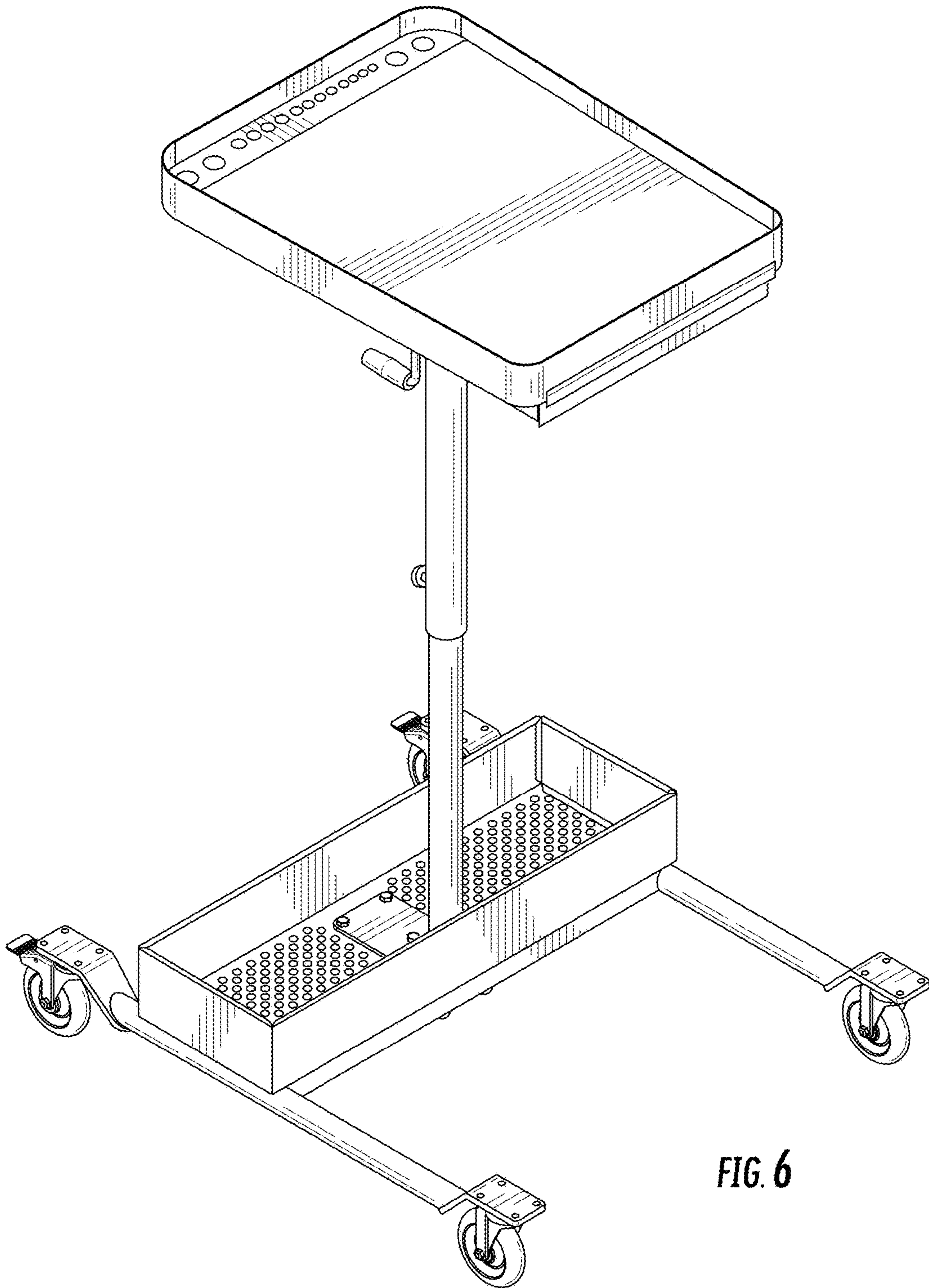


FIG. 6



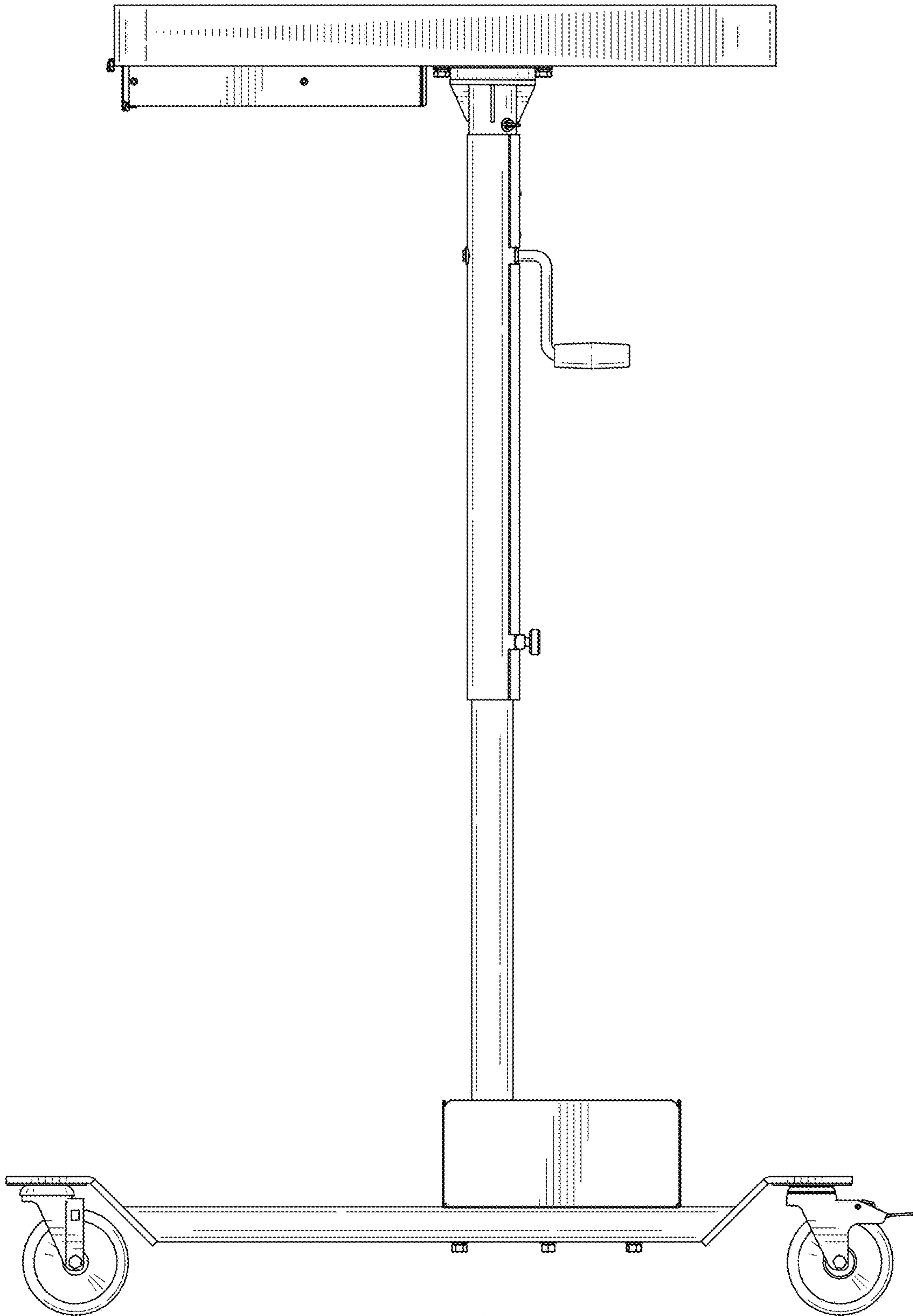


FIG. 7

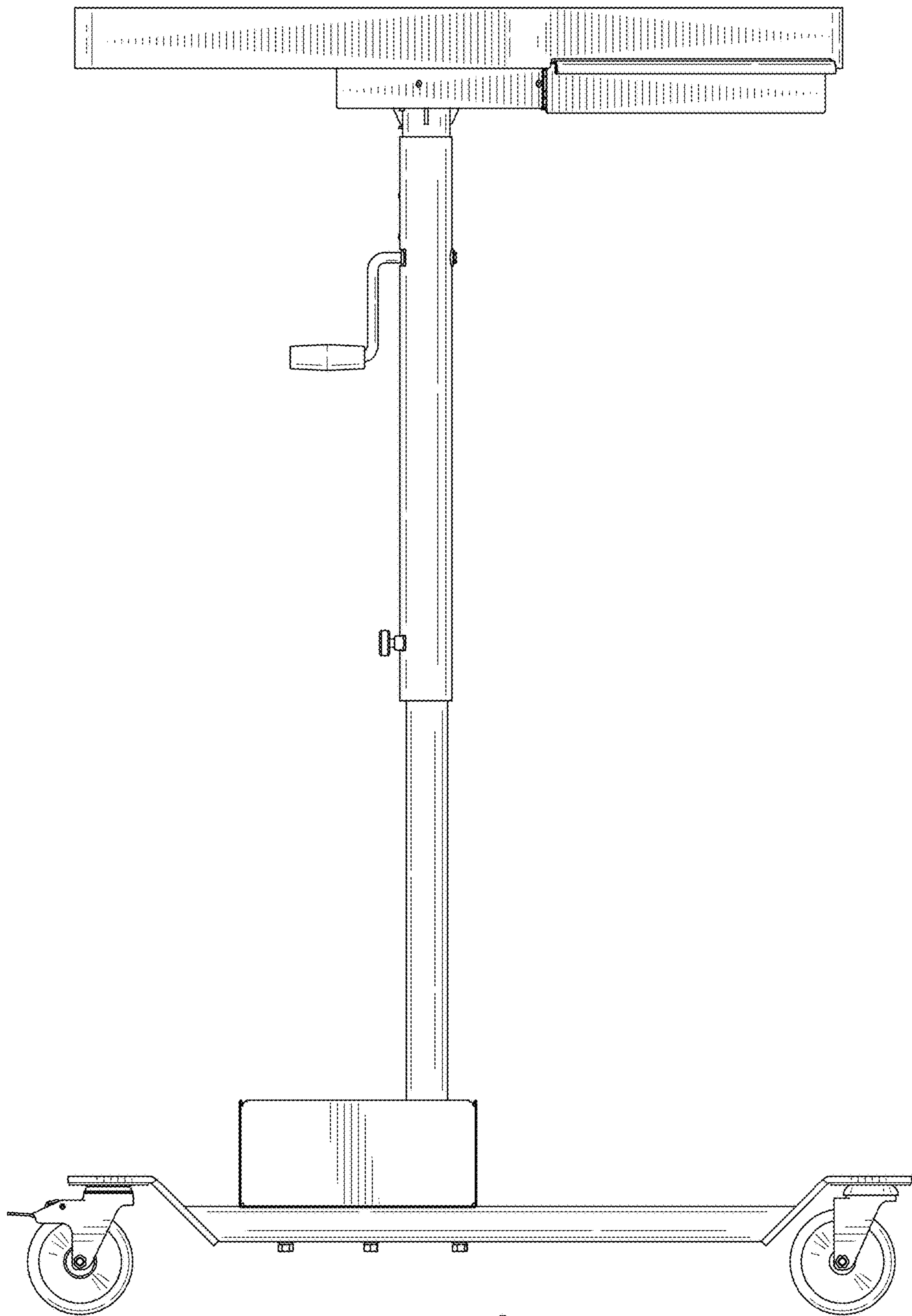


FIG. 8

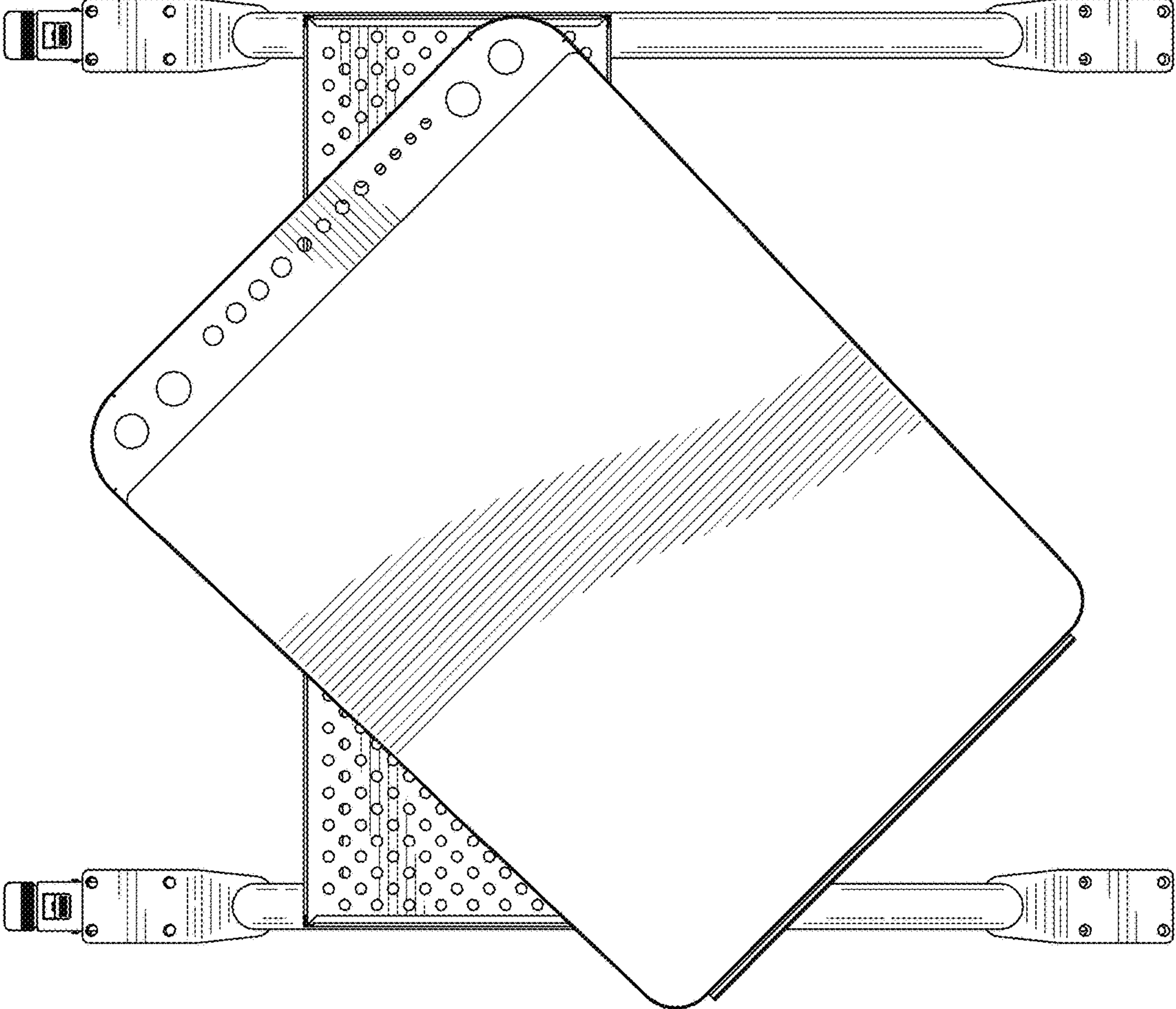


FIG. 9

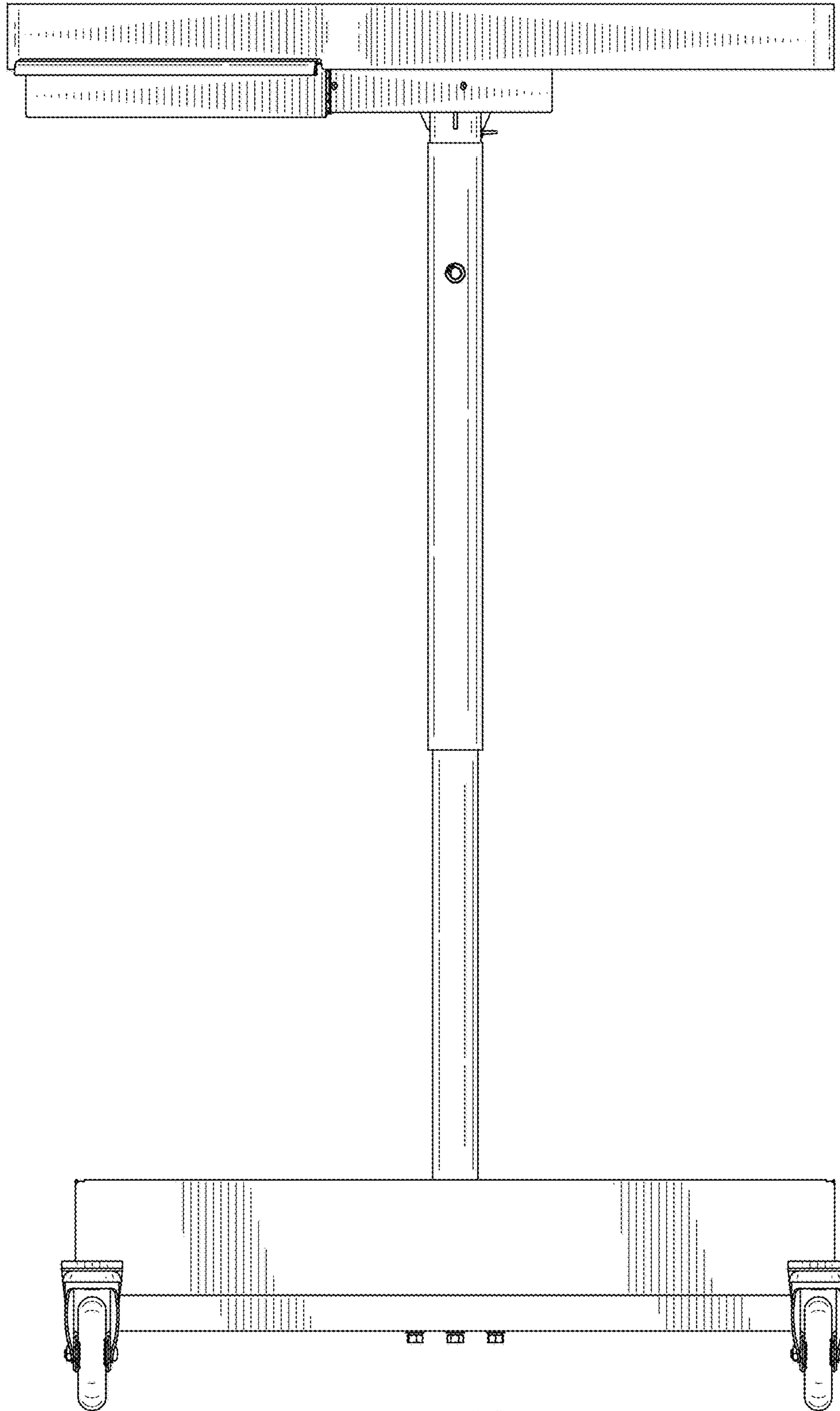


FIG. 10



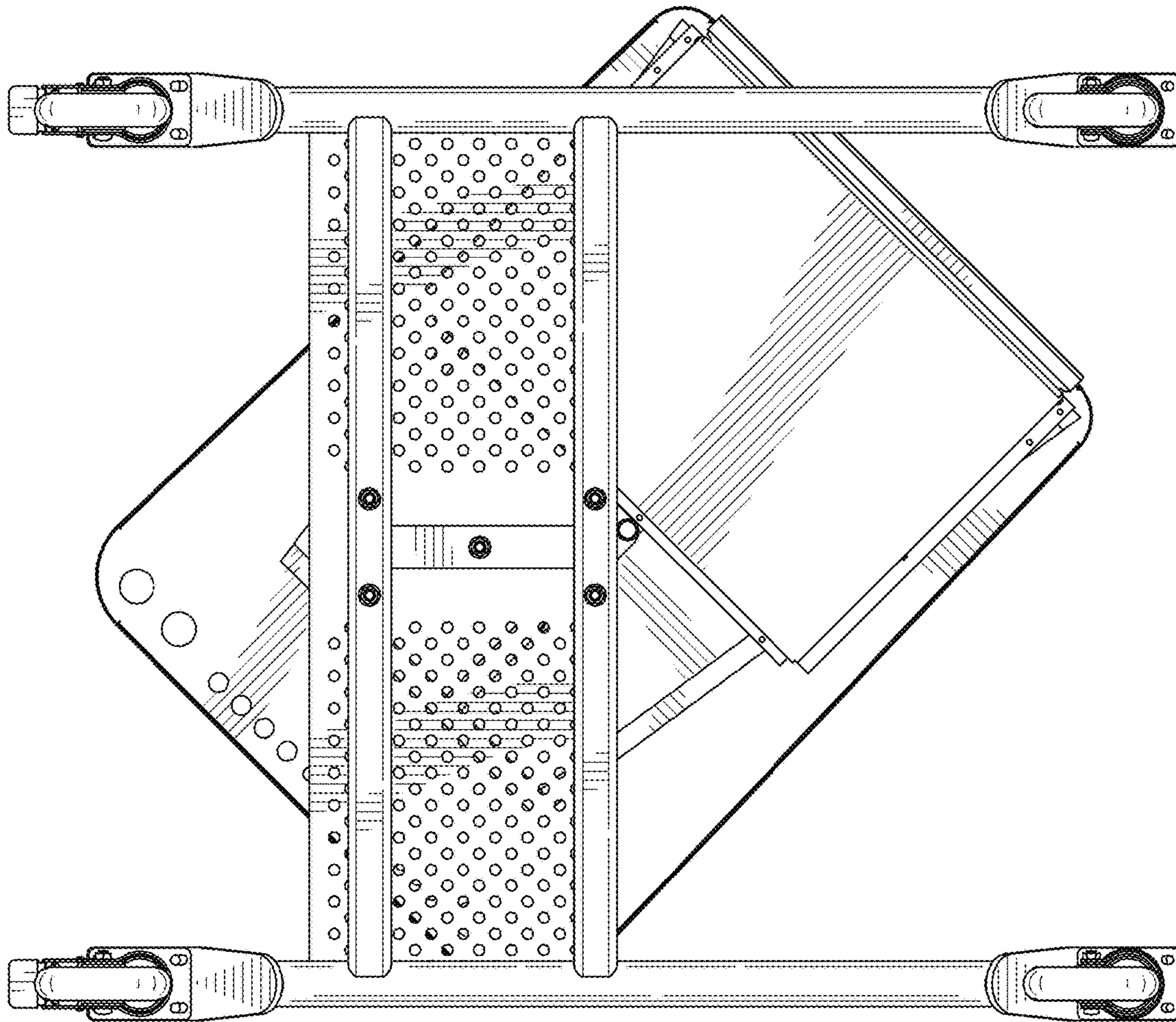


FIG. 11

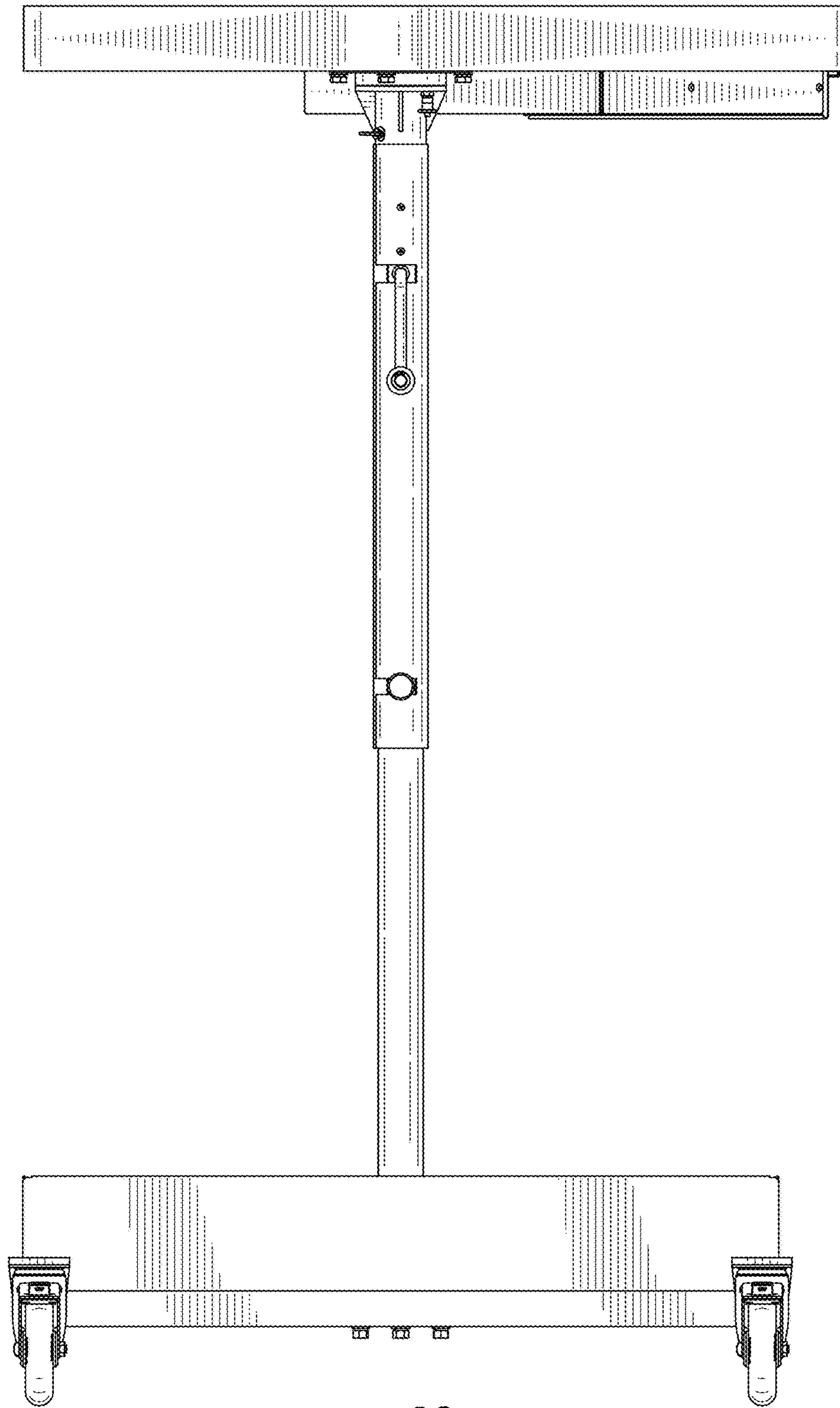


FIG. 12

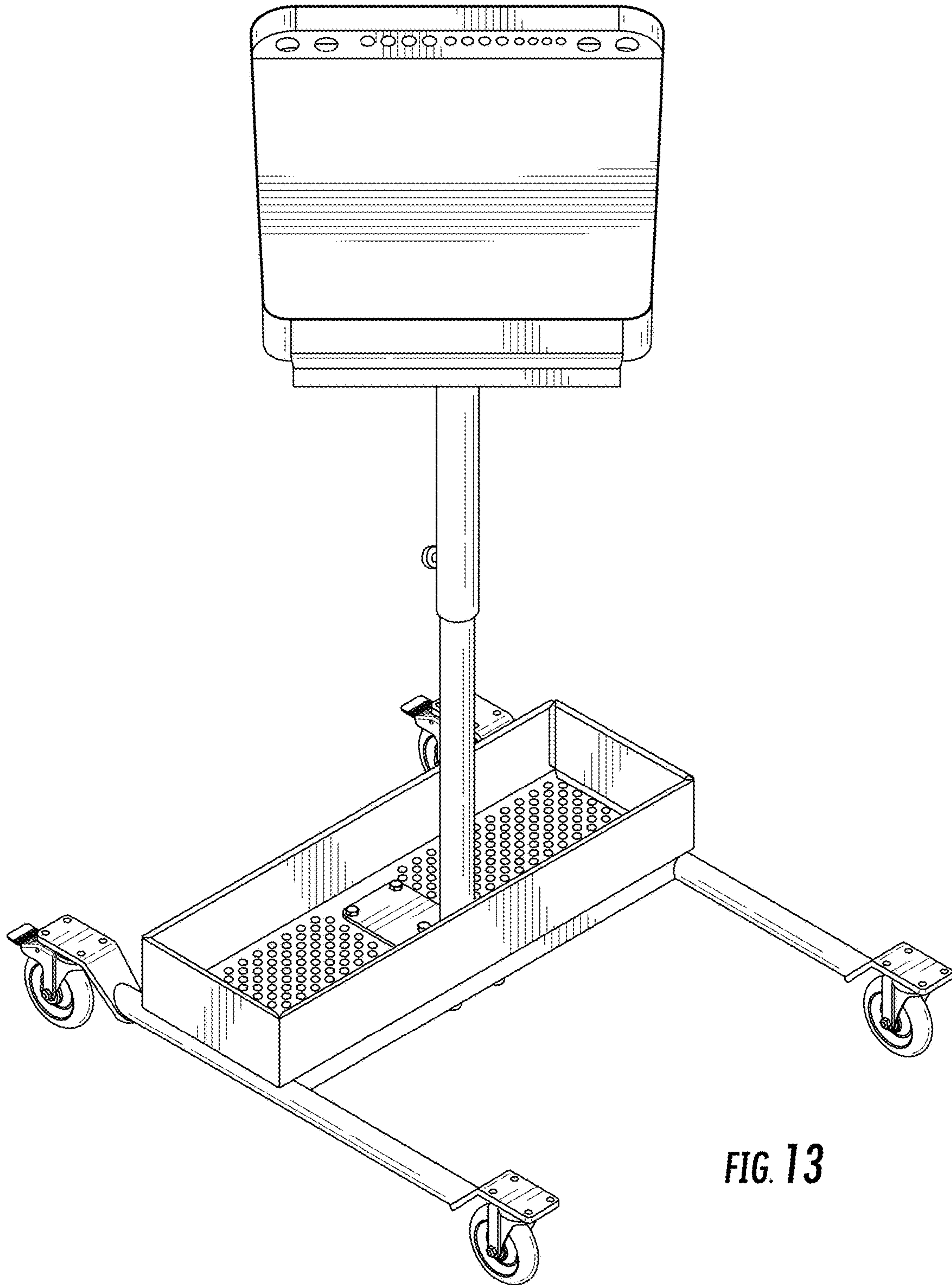


FIG. 13

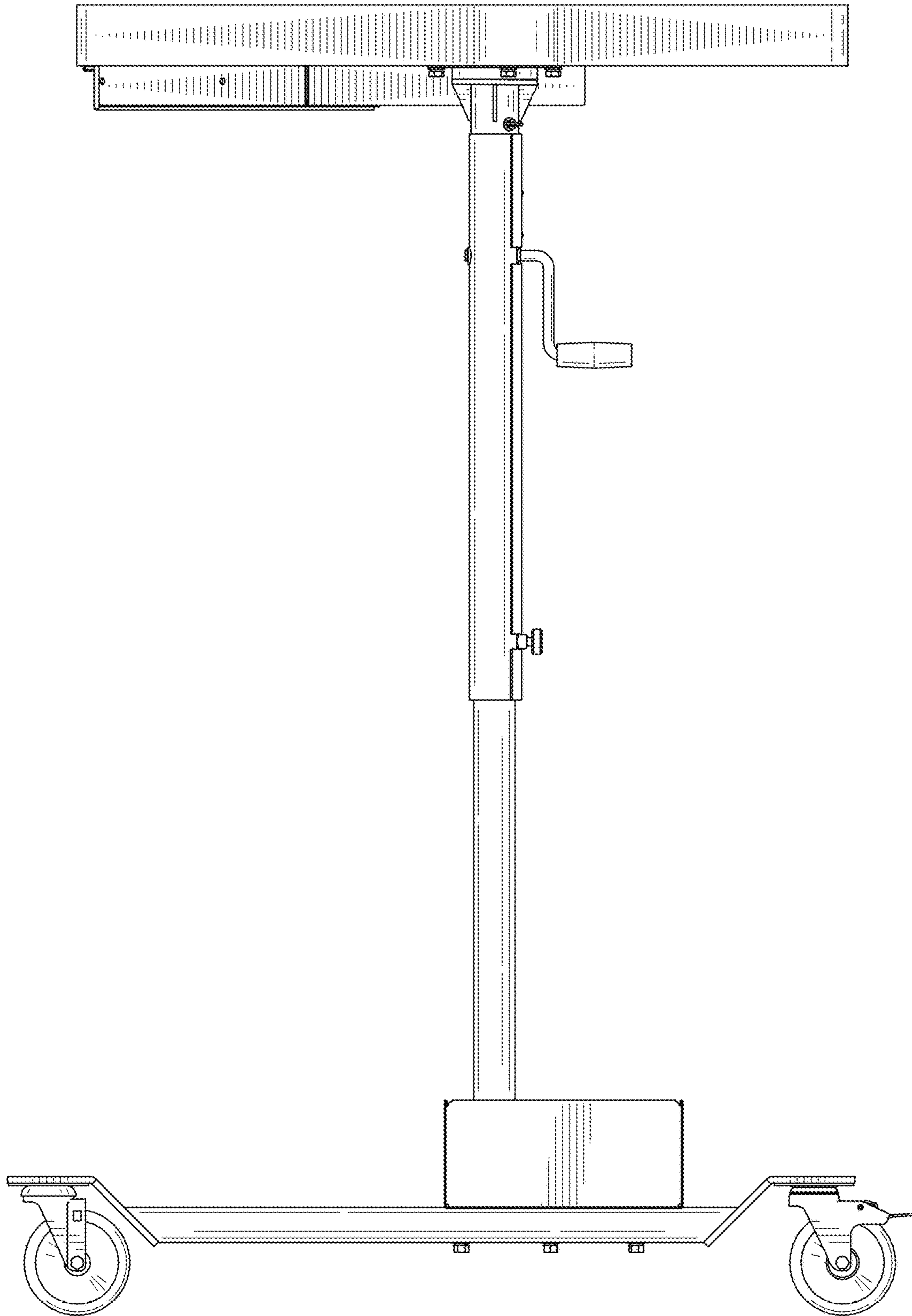


FIG. 14