



US00D799847S

(12) **United States Design Patent**
Halkes

(10) **Patent No.:** **US D799,847 S**

(45) **Date of Patent:** **** Oct. 17, 2017**

(54) **CHAIR**

(71) Applicant: **Adrian John Halkes**, Hong Kong (HK)

(72) Inventor: **Adrian John Halkes**, Hong Kong (HK)

(**) Term: **15 Years**

(21) Appl. No.: **29/573,997**

(22) Filed: **Aug. 11, 2016**

(30) **Foreign Application Priority Data**

Apr. 5, 2016 (HK) 1600609

(51) **LOC (10) Cl.** **06-01**

(52) **U.S. Cl.**
USPC **D6/377**

(58) **Field of Classification Search**
USPC D6/334, 349-350, 364-368, 374, 375,
D6/377, 379, 380, 403, 405, 406.6, 601,
D6/654-654.1, 678-678.2, 682.1-682.6,
D6/684-686, 691, 691.8-691.9, 698, 699,
D6/705, 705.5, 707.19, 708, 708.21, 716;
297/284.4, 452.18, 452.24, 452.26,
297/452.28, 452.32-452.33, 452.37,
297/452.41; D12/11; D21/770, 803;
D30/118

CPC A47C 7/02; A47C 7/44; A47C 7/46; A47C
7/48; A47C 7/54; A47C 7/386; A47C
7/462; A47C 1/10; A47C 1/031; B60N
2/02; B60N 2/22; B60N 2/44

See application file for complete search history.

(56) **References Cited**

U.S. PATENT DOCUMENTS

D216,448 S * 1/1970 Vasilatos D12/11
D244,569 S * 6/1977 Laroye D30/118
D265,027 S * 6/1982 Meyers D6/334
D355,999 S * 3/1995 Townsend D30/118
D435,355 S * 12/2000 Peterson D30/118

D435,974 S * 1/2001 Hsu D6/334
D441,205 S * 5/2001 Hsu D6/334
6,328,385 B1 * 12/2001 Lau A47C 4/54
297/452.41
D552,853 S * 10/2007 Goodrick D30/118
D585,212 S * 1/2009 Paulin D6/381
D591,064 S * 4/2009 Lee D6/334
D594,244 S * 6/2009 Williams D6/334
D596,414 S * 7/2009 Natuzzi D6/334
D596,862 S * 7/2009 Paulin D6/334
D628,400 S * 12/2010 Duchaufour Lawrance .. D6/334
D628,404 S * 12/2010 Duchaufour Lawrance .. D6/381
D635,375 S * 4/2011 Duchaufour Lawrance .. D6/381
D673,410 S * 1/2013 O'Connell D6/601
D686,684 S * 7/2013 Wolfinbarger D21/803
D716,064 S * 10/2014 George, II D6/334
D723,812 S * 3/2015 Weyts D6/334

(Continued)

OTHER PUBLICATIONS

Plastic News [online] found on Jul. 26, 2017 from URLhttp://www.plasticnews.com/article/20160916/PRW/160919881/rotational-mould-tools-from-midas-help-shnug-sit-pretty.*

Primary Examiner — Manpreet Matharu

Assistant Examiner — Keith Wilson

(74) *Attorney, Agent, or Firm* — Egbert Law Offices,
PLLC

(57) **CLAIM**

The ornamental design for a chair, as shown and described.

DESCRIPTION

FIG. 1 is a front perspective view of a chair showing my new design.

FIG. 2 is a front view thereof;

FIG. 3 is a rear view thereof;

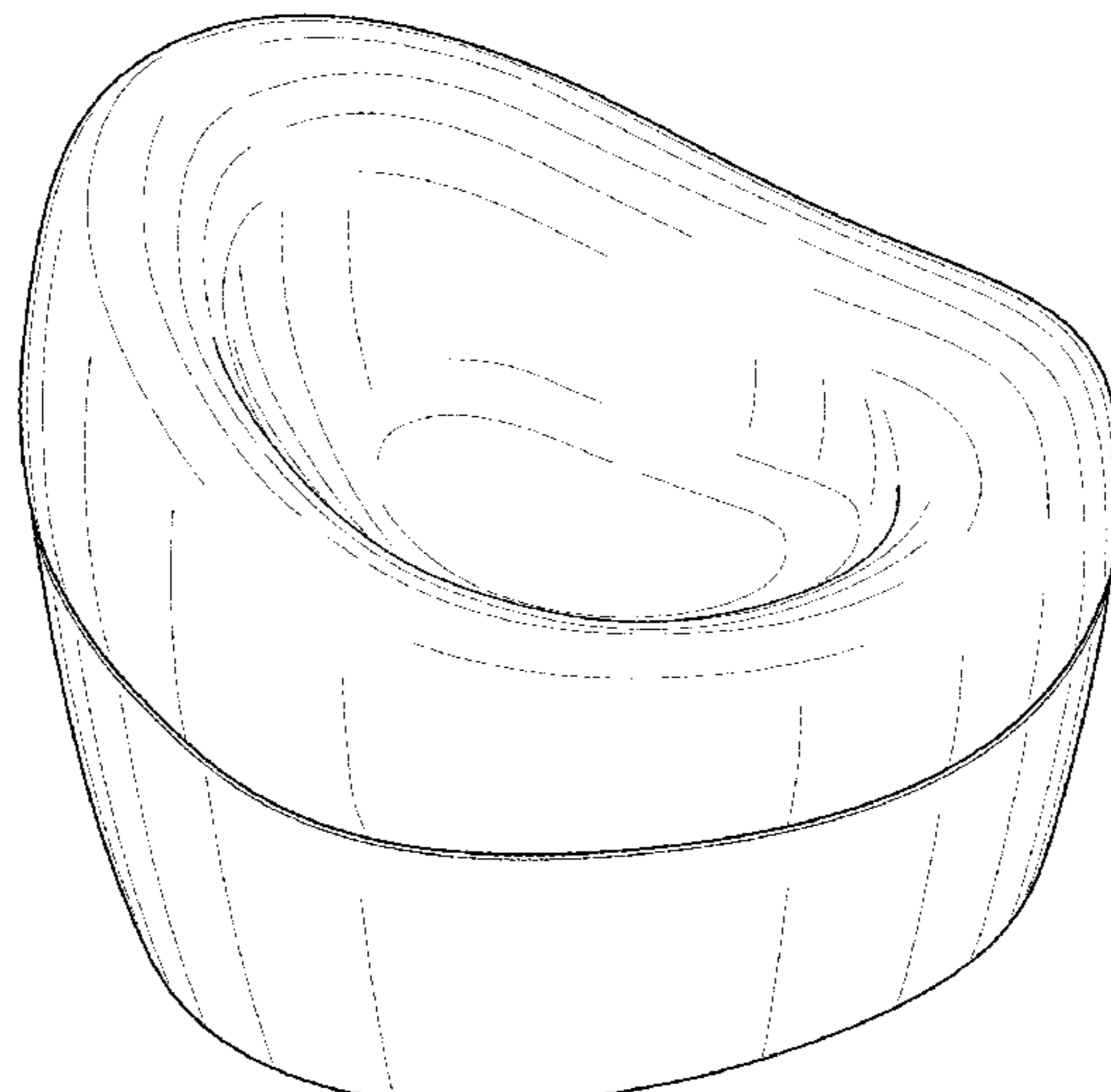
FIG. 4 is a side view thereof;

FIG. 5 is an opposite side view thereof;

FIG. 6 is a top view thereof; and,

FIG. 7 is a bottom side view thereof.

1 Claim, 4 Drawing Sheets



(56)

References Cited

U.S. PATENT DOCUMENTS

D731,197 S *	6/2015	Lee	D6/377
D741,610 S *	10/2015	Lee	D6/364
D741,611 S *	10/2015	Lee	D6/364
D782,593 S *	3/2017	Osimo	D21/803
D785,960 S *	5/2017	Davis	D6/361
D787,232 S *	5/2017	Kassab Arabo	D6/601

* cited by examiner

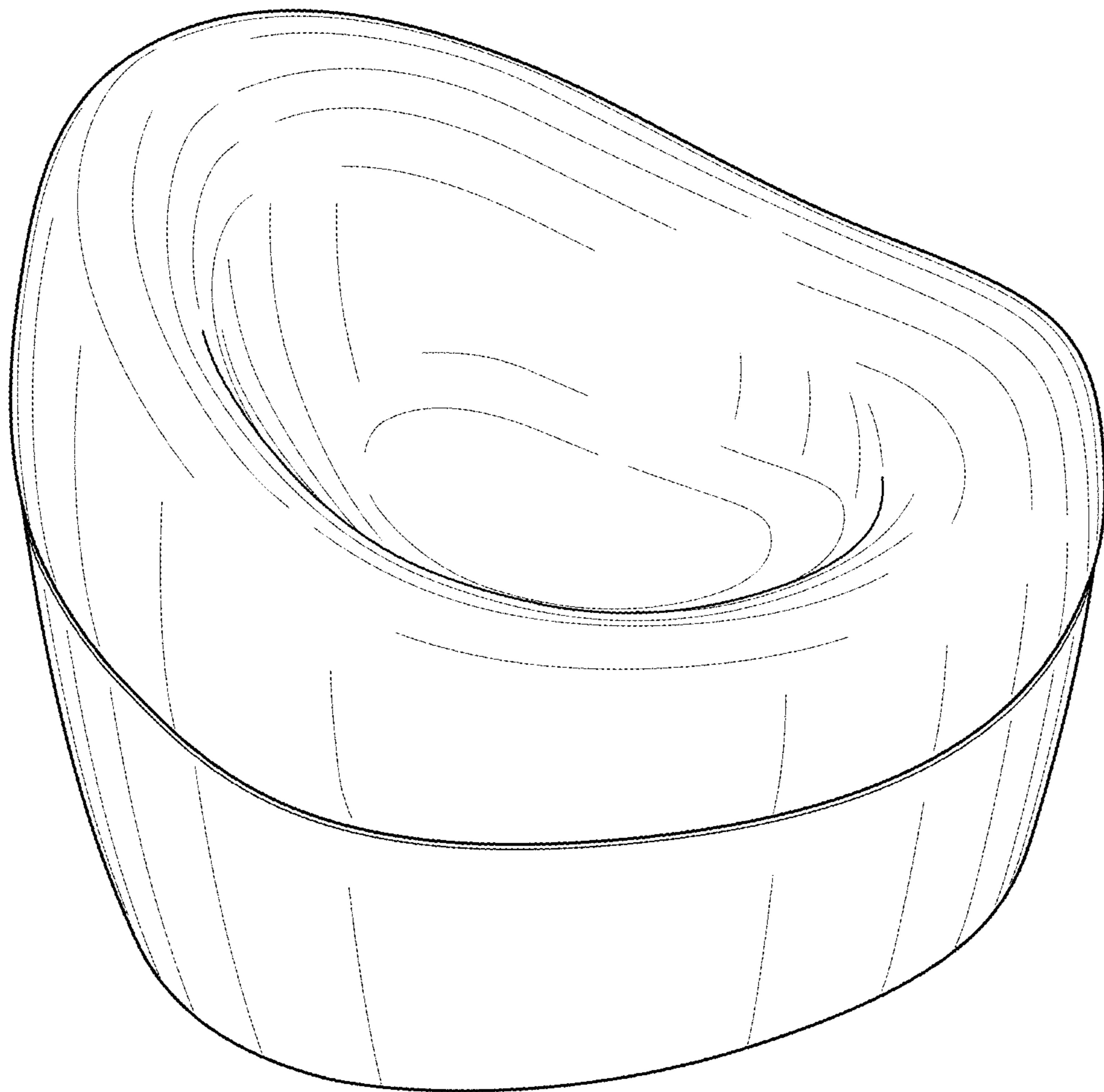


FIG. 1

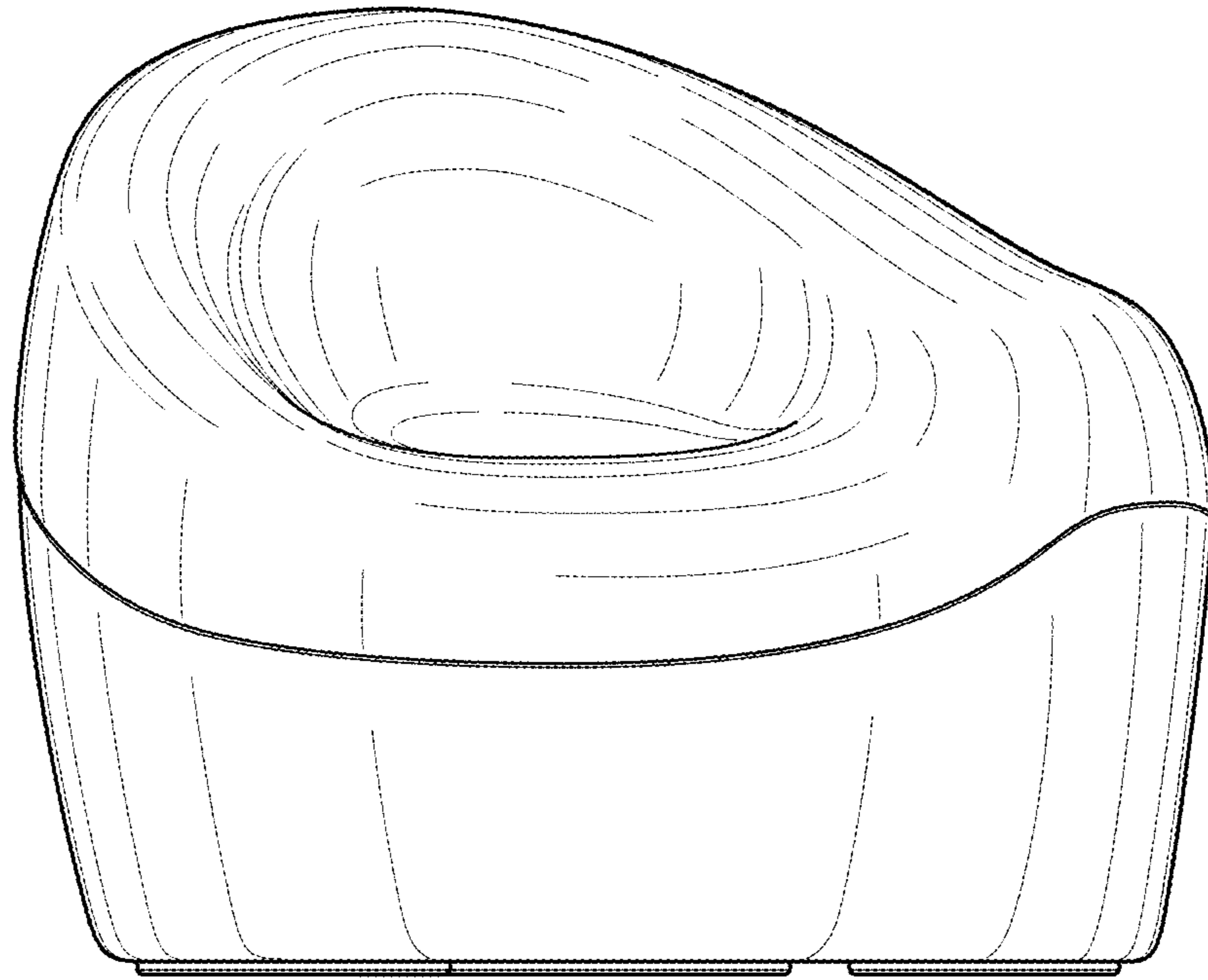


FIG. 2

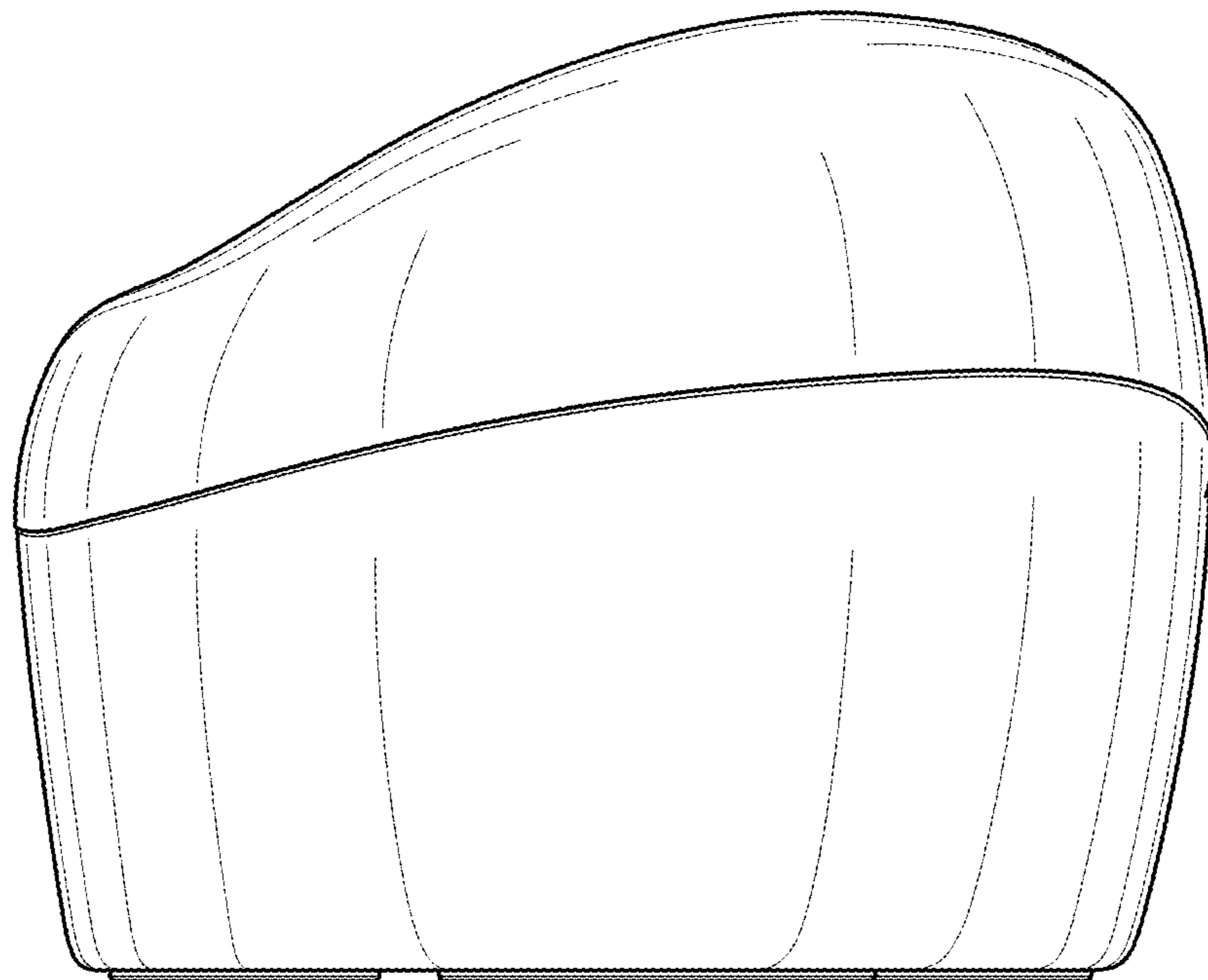


FIG. 3

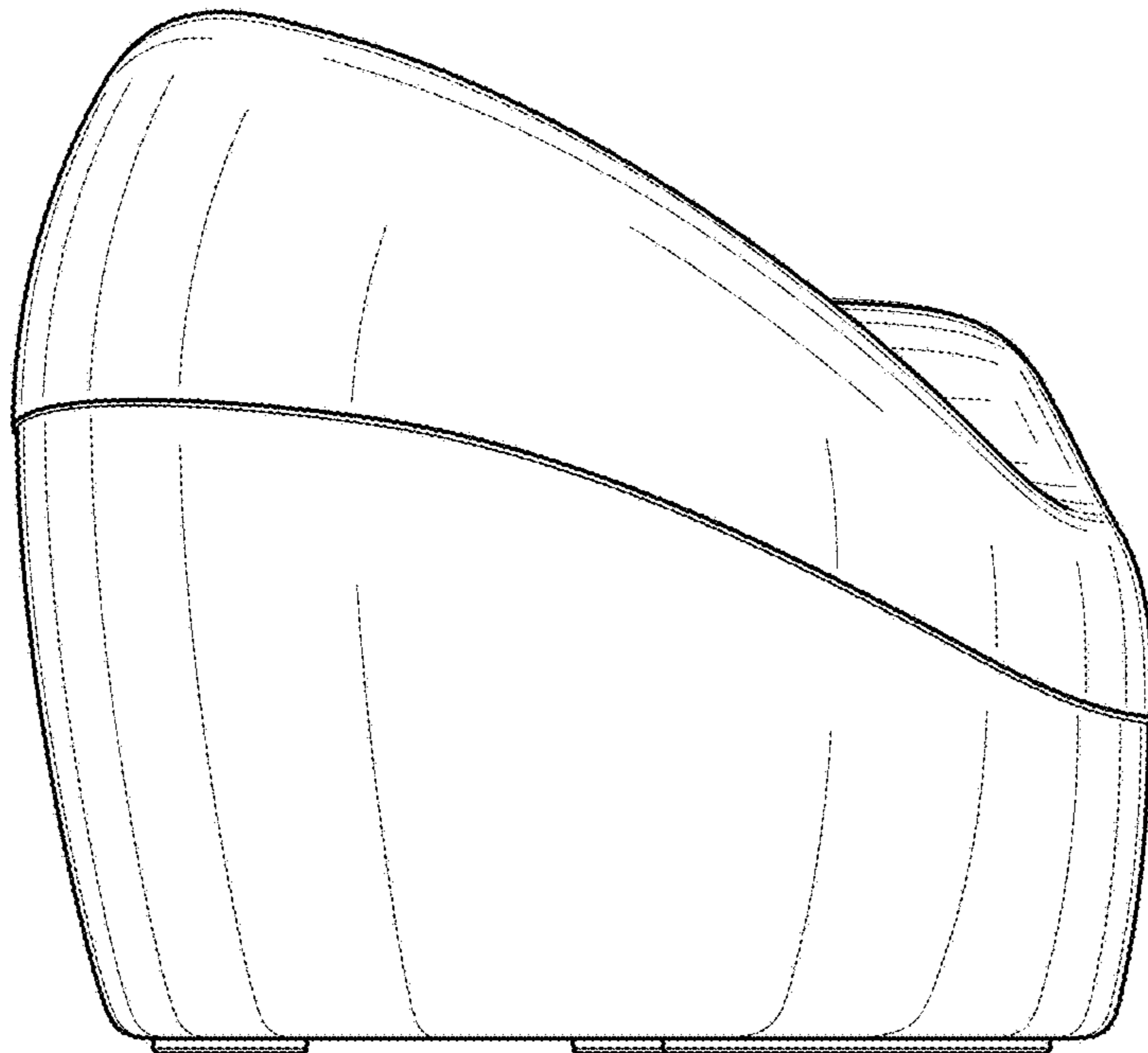


FIG. 4

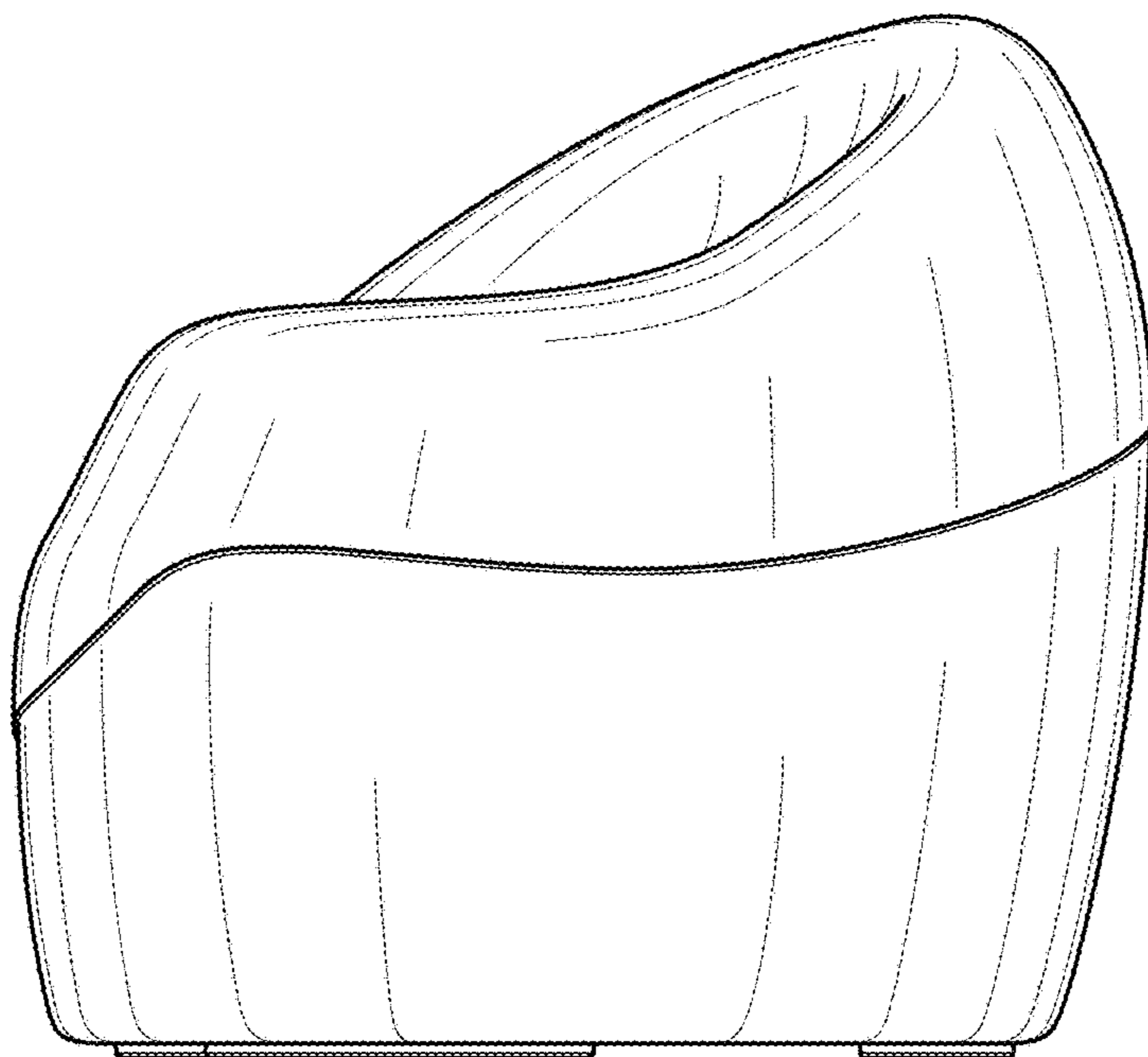


FIG. 5

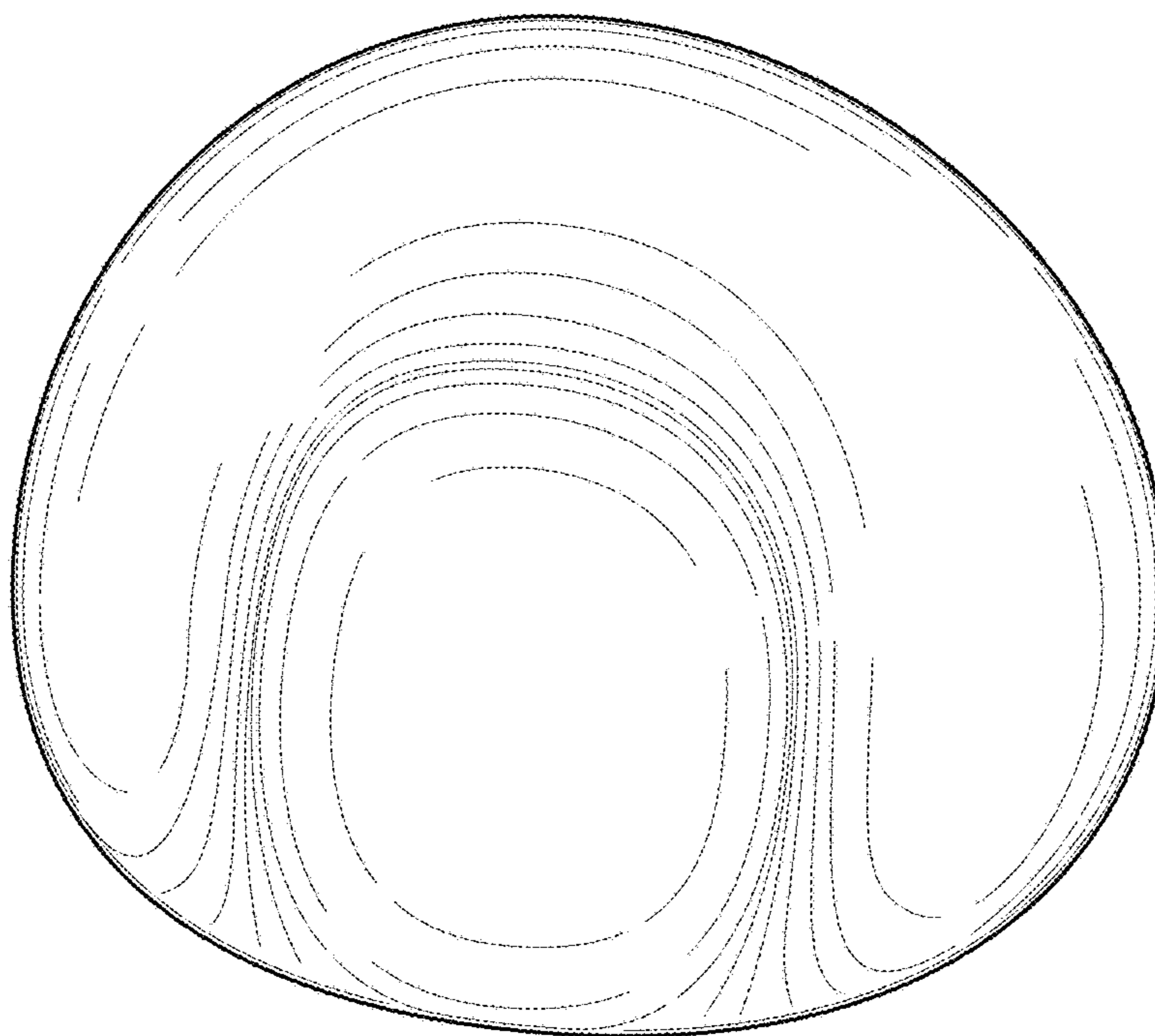


FIG. 6

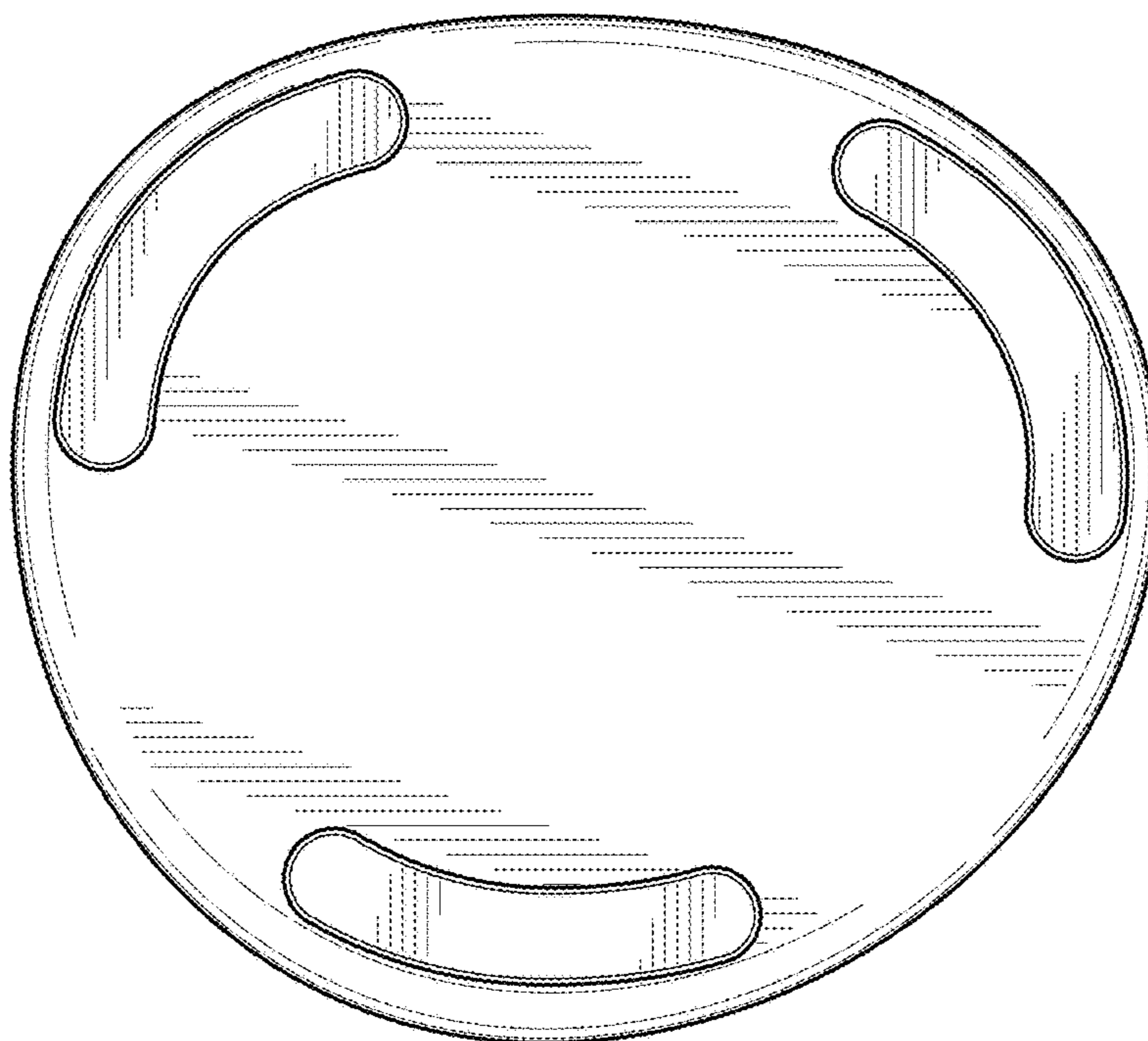


FIG. 7