



US00D799846S

(12) **United States Design Patent**  
**Ono**

(10) **Patent No.:** **US D799,846 S**

(45) **Date of Patent:** **\*\* Oct. 17, 2017**

(54) **CHAIR**

(71) Applicant: **OKAMURA CORPORATION**,  
Yokohama-shi, Kanagawa (JP)

(72) Inventor: **Naho Ono**, Yokohama (JP)

(73) Assignee: **Okamura Corporation**, Yokohama-shi,  
Kanagawa (JP)

(\*\*) Term: **15 Years**

(21) Appl. No.: **29/583,804**

(22) Filed: **Nov. 9, 2016**

(30) **Foreign Application Priority Data**

May 17, 2016 (JP) ..... 2016-010535

(51) **LOC (10) Cl.** ..... **06-01**

(52) **U.S. Cl.**  
USPC ..... **D6/375**

(58) **Field of Classification Search**  
USPC ..... D6/334-336, 349, 360, 364, 365, 366,  
D6/374, 375, 379, 380, 716, 716.1, 716.2,  
D6/716.3, 716.4

CPC .... A47C 3/18; A47C 3/20; A47C 3/24; A47C  
4/028; A47C 5/04; A47C 7/24; A47C  
9/00; A47C 9/007

See application file for complete search history.

(56) **References Cited**

U.S. PATENT DOCUMENTS

D232,879 S *	9/1974	Samhammer .....	D6/360
D449,456 S *	10/2001	Muller .....	A47C 9/007
			D6/360
D535,828 S *	1/2007	Gasca Burges .....	D6/360
D579,676 S *	11/2008	Rheault .....	D6/349
D592,870 S *	5/2009	Olano Jauregui .....	D6/360
D660,028 S *	5/2012	Rode .....	D6/360

\* cited by examiner

*Primary Examiner* — Mimoso De

(74) *Attorney, Agent, or Firm* — Sughrue Mion, PLLC

(57) **CLAIM**

The ornamental design for a chair, as shown and described.

**DESCRIPTION**

FIG. 1 is a perspective view of a chair.

FIG. 2 is a front view thereof.

FIG. 3 is a rear view thereof.

FIG. 4 is a right side view thereof. A left side view is a mirror image of the right side view.

FIG. 5 is a top view thereof.

FIG. 6 is a bottom view thereof; and,

FIG. 7 is a right side view with the seat rotated 45 degrees.

**1 Claim, 7 Drawing Sheets**

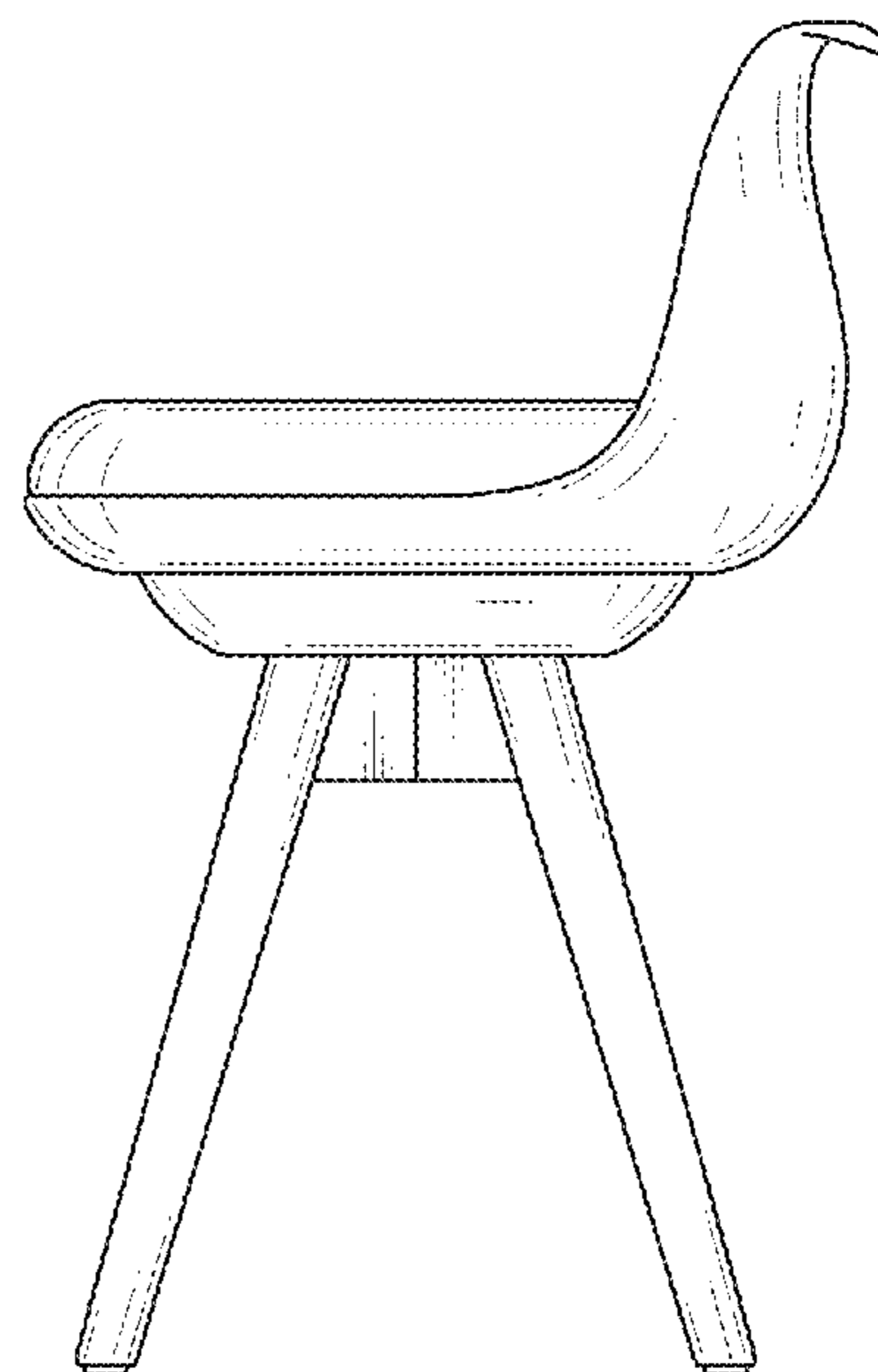
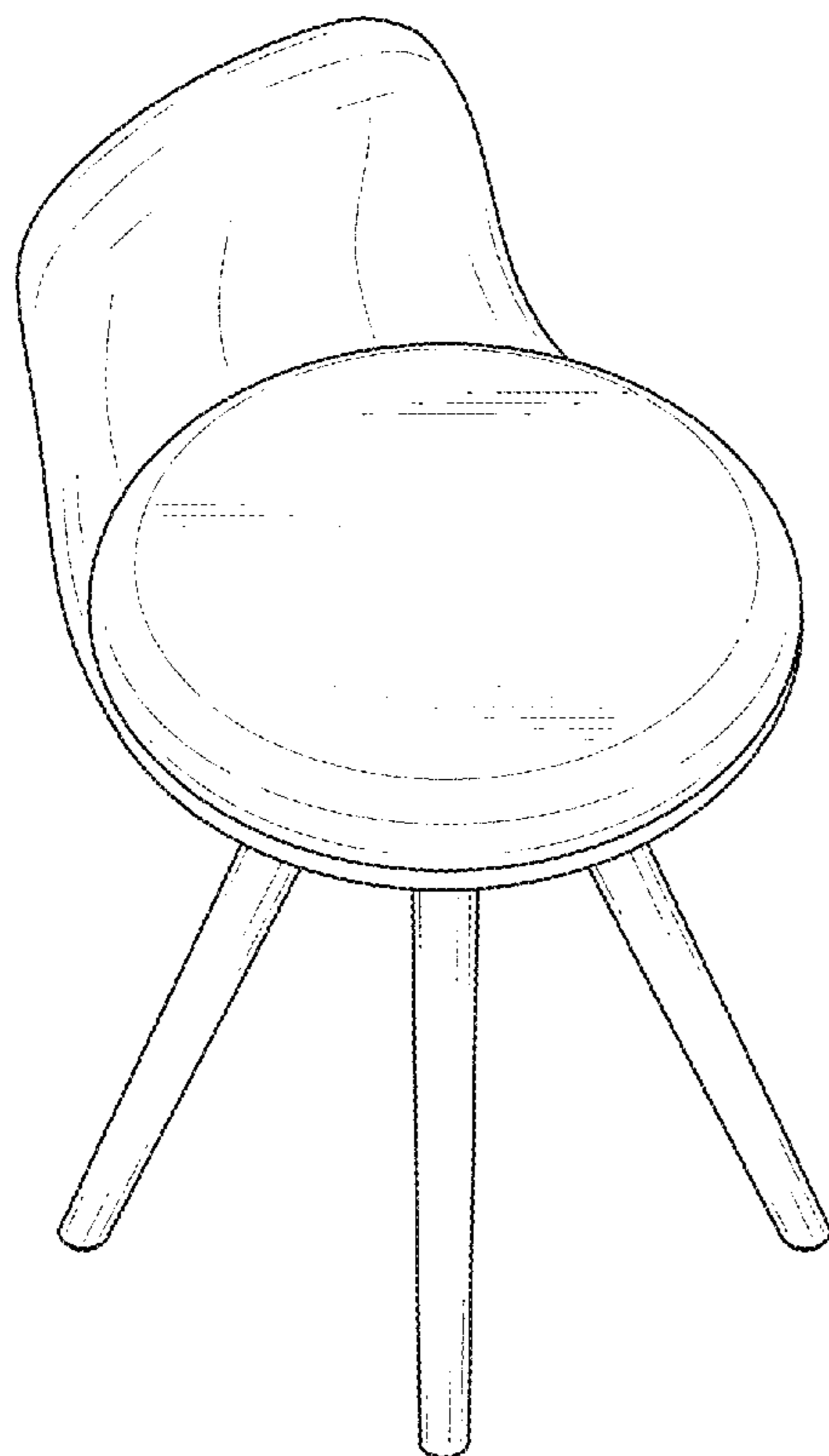


FIG. 1

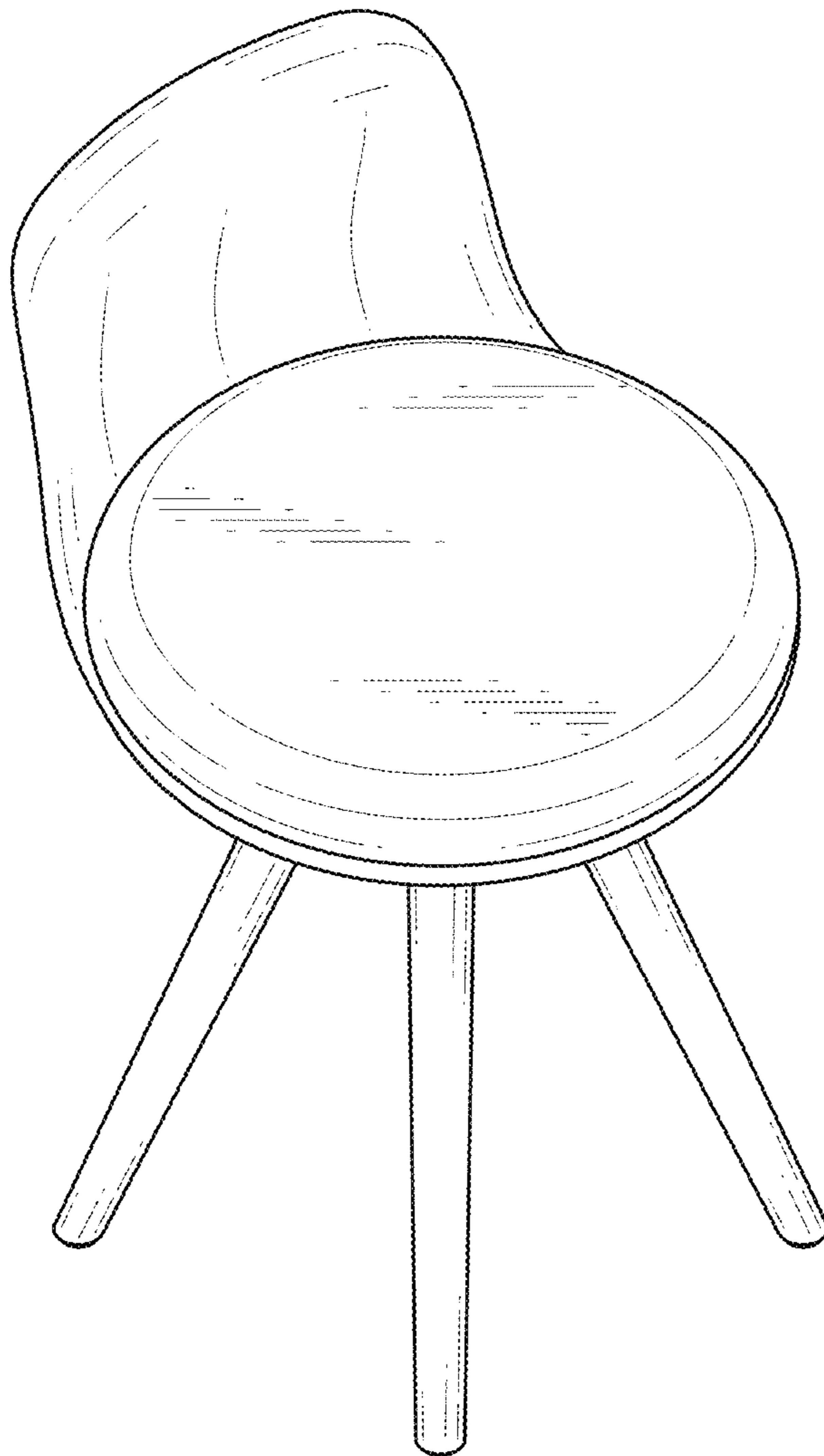


FIG. 2

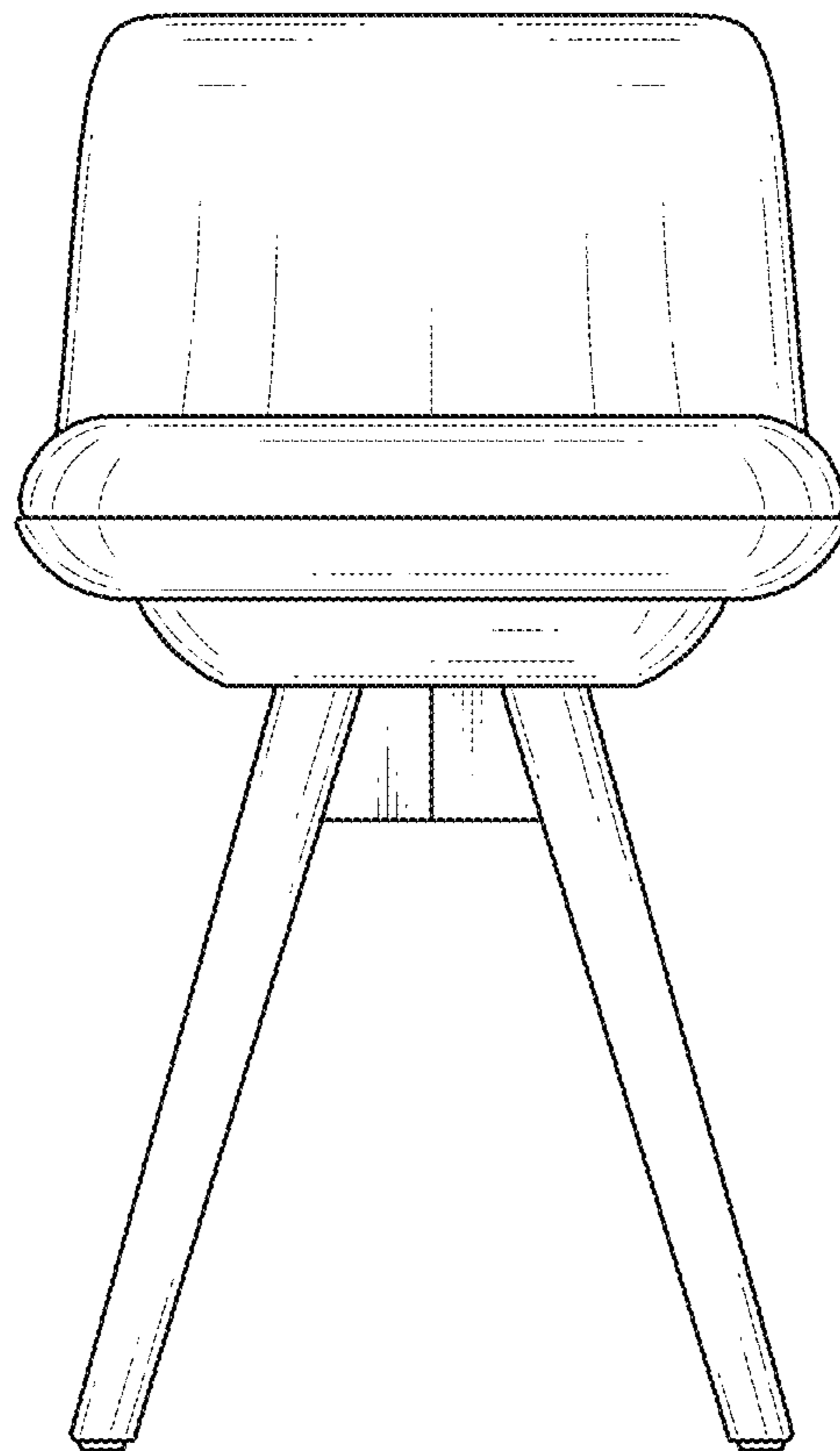


FIG. 3

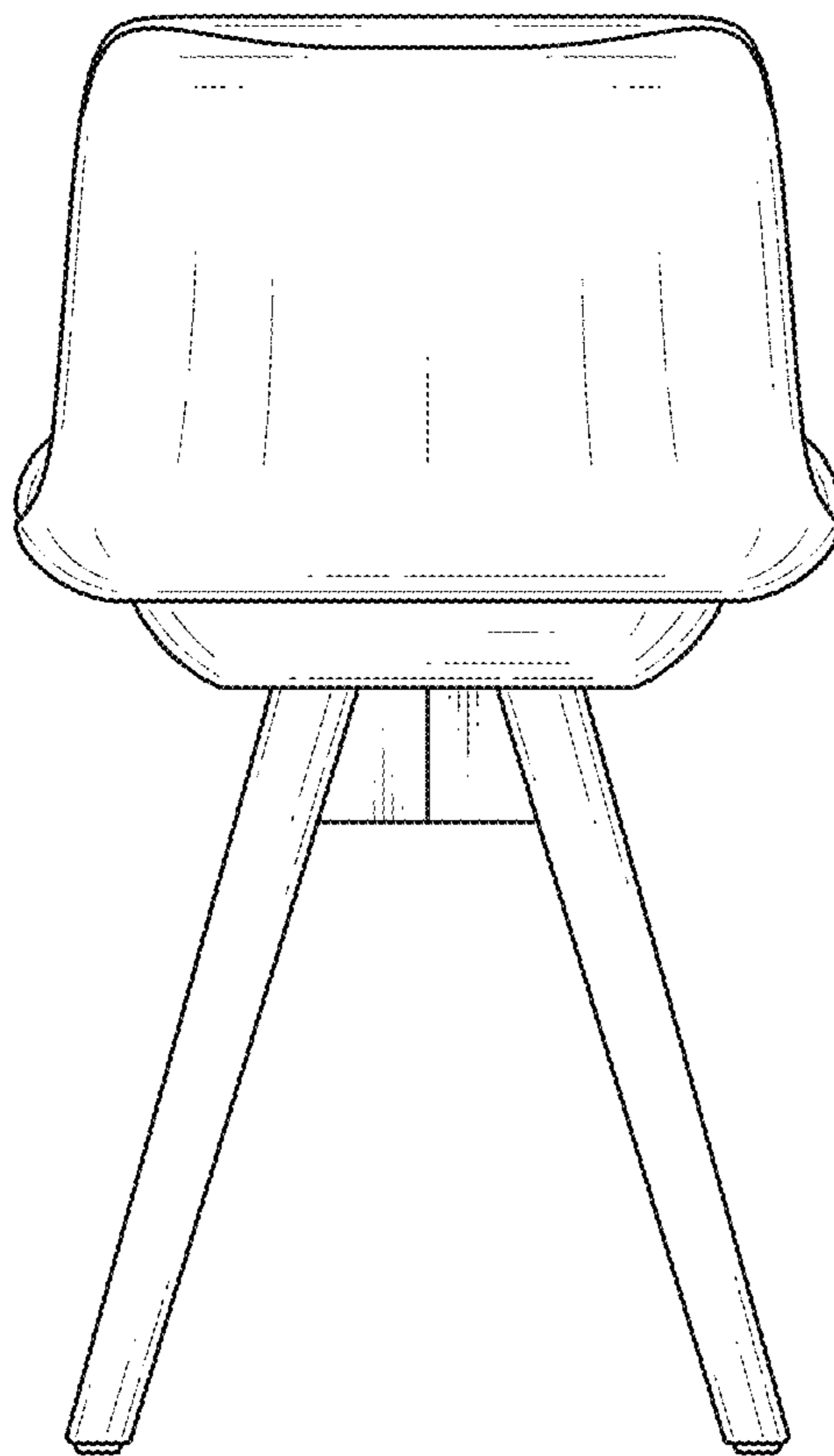


FIG. 4

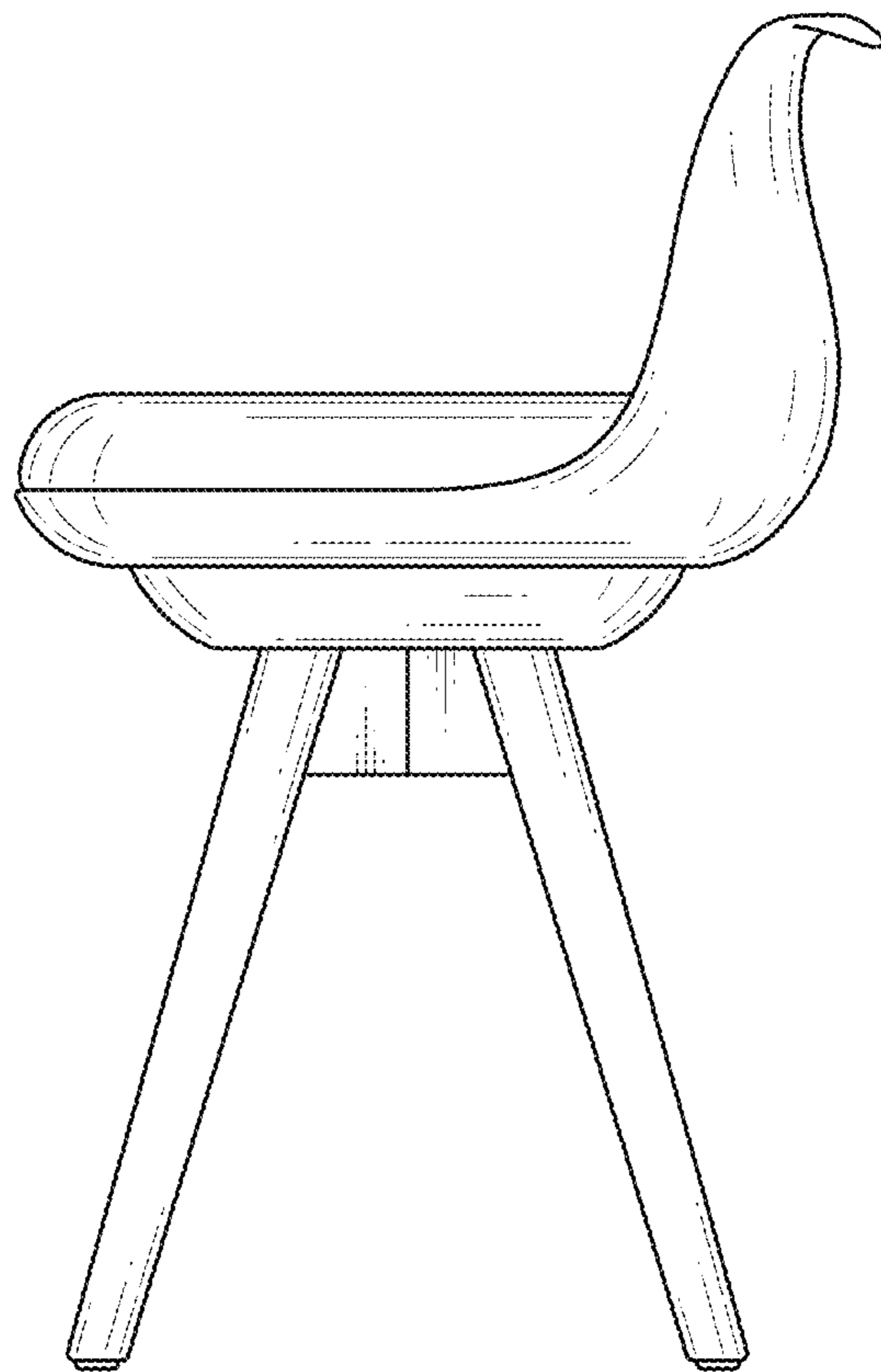


FIG. 5

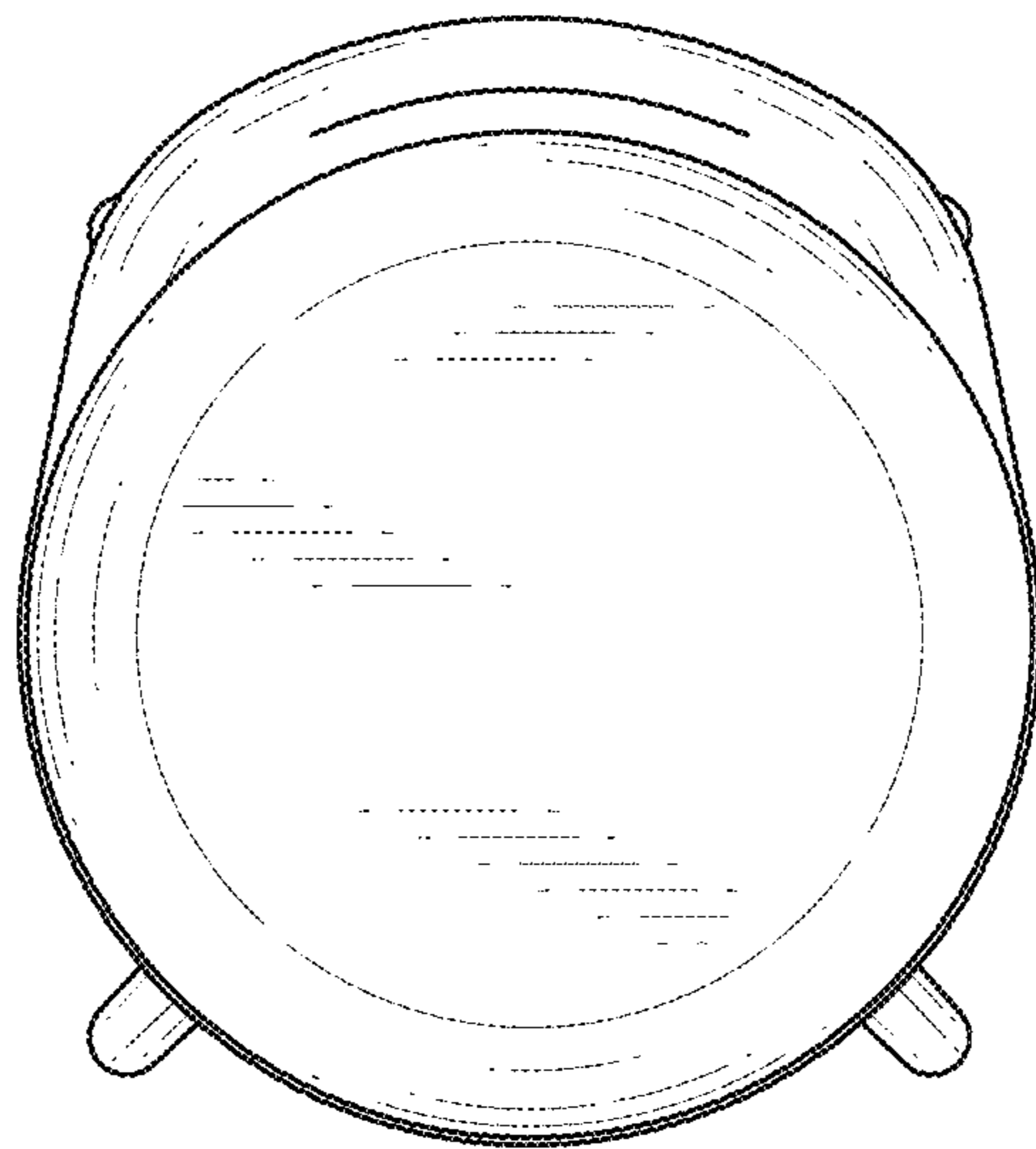


FIG. 6

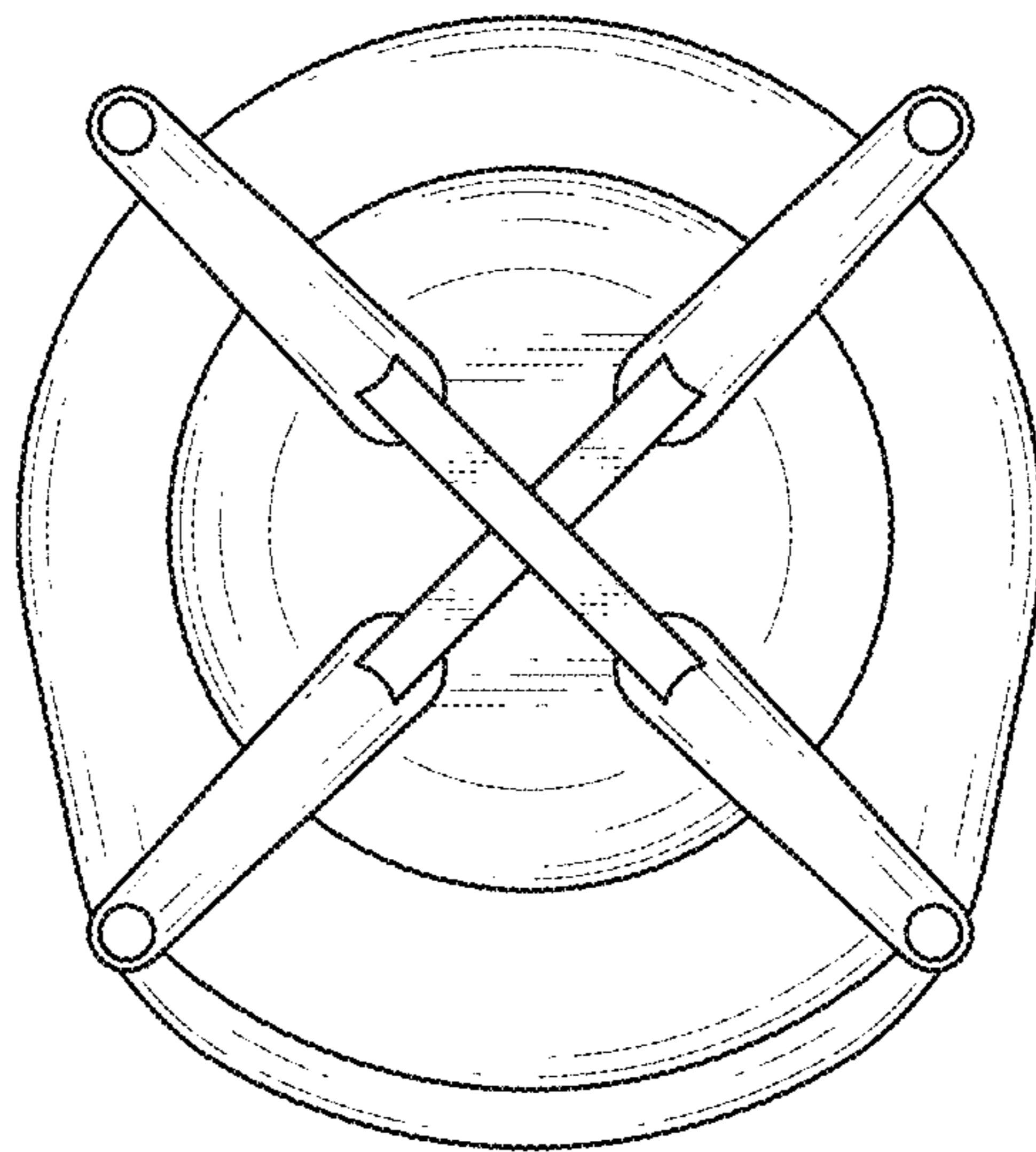


FIG. 7

