



US00D799845S

(12) **United States Design Patent**  
**Cvek**

(10) **Patent No.:** **US D799,845 S**  
(45) **Date of Patent:** **\*\* Oct. 17, 2017**

- (54) **CHAIR WITH SLED BASE**
- (71) Applicant: **Sava Cvek**, Jamaica Plain, MA (US)
- (72) Inventor: **Sava Cvek**, Jamaica Plain, MA (US)
- (\*\*) Term: **15 Years**
- (21) Appl. No.: **29/567,526**
- (22) Filed: **Jun. 9, 2016**
- (51) **LOC (10) Cl.** ..... **06-01**
- (52) **U.S. Cl.**  
USPC ..... **D6/375**
- (58) **Field of Classification Search**  
USPC ..... D6/334, 349-350, 364-368, 374, 375,  
D6/379, 380, 403, 405, 406.6, 654-654.1,  
D6/678-678.2, 682.1-682.6, 684-686,  
D6/691, 691.8-691.9, 698, 699, 705,  
D6/705.5, 707.19, 708, 708.21, 716  
CPC .... A47C 7/02; A47C 7/44; A47C 7/46; A47C  
7/48; A47C 7/54; A47C 7/386; A47C  
7/462; A47C 1/10; A47C 1/031; B60N  
2/02; B60N 2/22; B60N 2/44  
See application file for complete search history.

- 6,966,604 B2 11/2005 Stumpf et al.
  - D514,832 S 2/2006 Tsai
  - D517,820 S 3/2006 Citterio
  - D521,755 S 5/2006 Kinoshita et al.
  - D535,112 S 1/2007 Bennett et al.
  - D554,382 S \* 11/2007 Nobles ..... D6/366
  - D554,386 S \* 11/2007 Nobles ..... D6/366
  - D557,027 S 12/2007 Hara
  - D558,995 S 1/2008 Igarashi
  - D558,996 S 1/2008 Igarashi
- (Continued)

(56) **References Cited**

**U.S. PATENT DOCUMENTS**

233,140 A	10/1880	Candrian	
2,818,911 A	1/1958	Syak	
D193,847 S *	10/1962	Lavervne .....	D6/356
D205,939 S *	10/1966	Laverne .....	D6/375
3,574,400 A *	4/1971	Day .....	A47C 5/12 297/452.14
4,854,641 A	8/1989	Reineman et al.	
5,772,282 A	6/1998	Stumpf et al.	
D404,928 S *	2/1999	Safrit .....	D6/356
6,386,634 B1	5/2002	Stumpf et al.	
6,439,665 B1	8/2002	Cvek	
6,709,058 B1	3/2004	Diffrient	
D493,626 S	8/2004	James	
D499,895 S	12/2004	Olson et al.	
6,959,965 B2	11/2005	Diffrient	

**OTHER PUBLICATIONS**

Wayfair [online] Retrieved on May 4, 2017 from URL [https://www.wayfair.com/IRIS-USA-Inc.-Shell-Side-Chair-with-Armrest-IRI1887.html?piid%5B0%5D=19480717.\\*](https://www.wayfair.com/IRIS-USA-Inc.-Shell-Side-Chair-with-Armrest-IRI1887.html?piid%5B0%5D=19480717.*)

(Continued)

*Primary Examiner* — Manpreet Matharu  
*Assistant Examiner* — Keith Wilson  
(74) *Attorney, Agent, or Firm* — Thomas P. O'Connell;  
O'Connell Law Firm

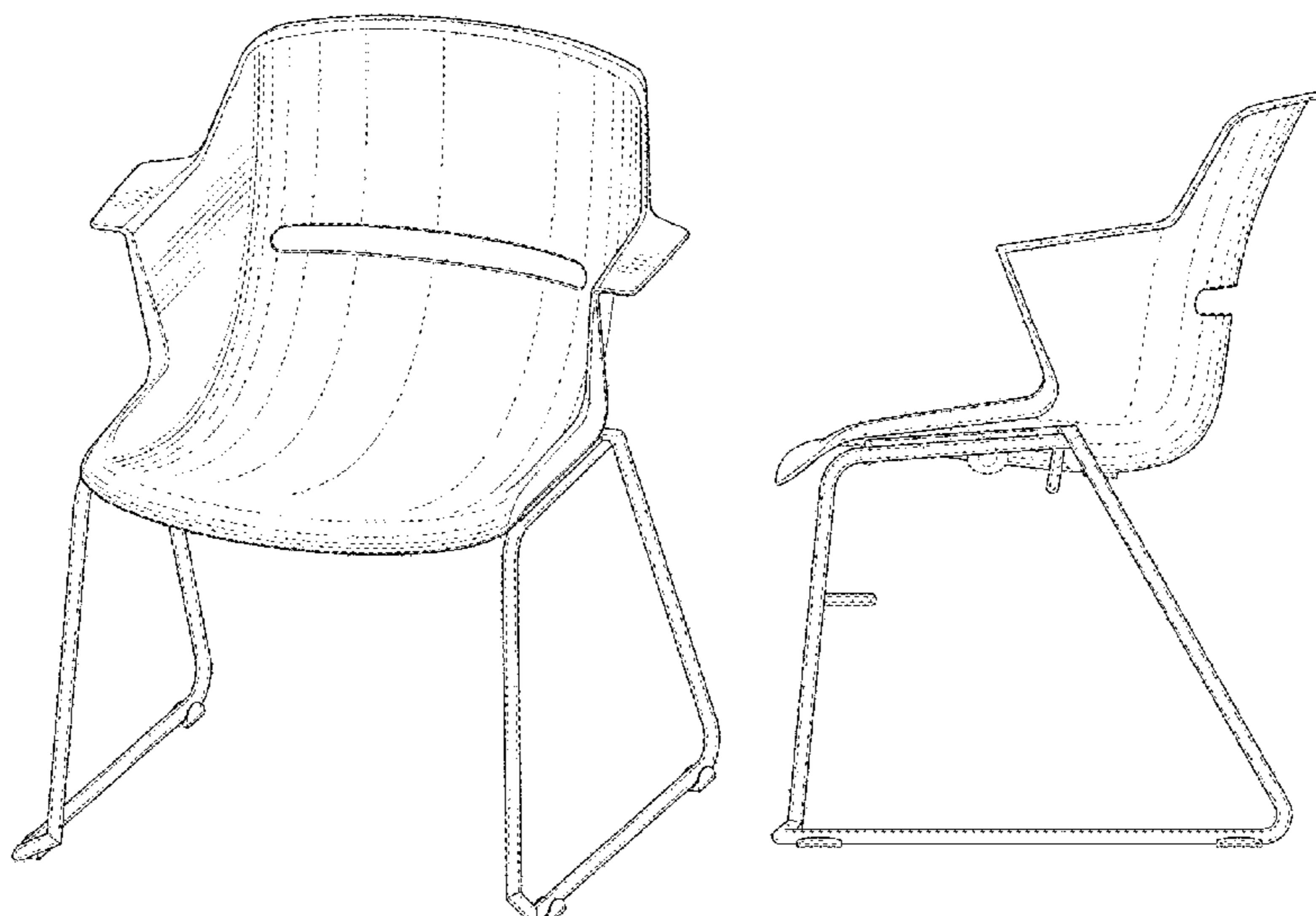
(57) **CLAIM**

The new and ornamental design for a chair with sled base, as shown.

**DESCRIPTION**

FIG. 1 is a perspective view of a chair with sled base showing my new design;  
FIG. 2 is a view in front elevation thereof;  
FIG. 3 is a view in left side elevation thereof with the view in right side elevation being a mirror image of the view in left side elevation;  
FIG. 4 is a top plan view thereof;  
FIG. 5 is a bottom plan view thereof; and,  
FIG. 6 is a view in rear elevation thereof.  
The broken lines represent unclaimed features of the chair with sled base that form no part of the claimed design.

**1 Claim, 6 Drawing Sheets**



(56)

References Cited

U.S. PATENT DOCUMENTS

D559,571 S 1/2008 Meda  
 D559,572 S 1/2008 Igarashi  
 D559,573 S 1/2008 Igarashi  
 D559,574 S 1/2008 Igarashi  
 D576,809 S 9/2008 Christianson et al.  
 D576,814 S 9/2008 Baldanzi et al.  
 D582,170 S 12/2008 Chi  
 7,517,024 B2 4/2009 Cvek  
 D595,970 S 7/2009 Ueda  
 D596,418 S 7/2009 Ueda  
 D597,329 S 8/2009 Tanaka et al.  
 D597,349 S 8/2009 Wilkinson et al.  
 D600,462 S 9/2009 Ooki et al.  
 D607,653 S 1/2010 Wilkinson et al.  
 D607,672 S 1/2010 Kubryk  
 D609,482 S 2/2010 Englisch et al.  
 D613,085 S 4/2010 Fujita  
 D613,087 S 4/2010 Fujita  
 7,806,478 B1 10/2010 Cvek  
 D636,614 S 4/2011 Sander et al.  
 D646,085 S \* 10/2011 Overthun ..... D6/375  
 D648,158 S \* 11/2011 Kubryk ..... D6/366  
 D649,795 S 12/2011 Izawa  
 D652,223 S 1/2012 Fujita  
 D654,709 S 2/2012 Fujita  
 D654,710 S 2/2012 Fujita  
 D654,711 S 2/2012 Fujita  
 D655,522 S 3/2012 Czumaj-Bront et al.  
 D656,752 S 4/2012 Moll  
 D662,331 S 6/2012 Czumaj-Bront et al.  
 D663,129 S 7/2012 Greutmann  
 D665,589 S 8/2012 Wagner  
 D665,592 S 8/2012 Citterio  
 D666,016 S 8/2012 Citterio  
 D667,231 S 9/2012 Citterio  
 D667,243 S \* 9/2012 Su ..... D6/716  
 D670,927 S 11/2012 Hurford  
 D671,332 S 11/2012 Izawa  
 D671,759 S 12/2012 Hurford  
 D678,690 S \* 3/2013 Eldoy ..... D6/366

D679,107 S 4/2013 Darrow et al.  
 D679,517 S \* 4/2013 Corcorran ..... A47B 39/00  
 D687,641 S 8/2013 Barrell  
 D688,056 S 8/2013 Phillips et al.  
 D688,483 S 8/2013 Aratani  
 D690,523 S 10/2013 Choi  
 D694,537 S 12/2013 Smith et al.  
 D694,538 S 12/2013 Smith et al.  
 D696,886 S 1/2014 Nakamura  
 D701,068 S 3/2014 Usumoto et al.  
 D703,988 S 5/2014 Smith et al.  
 D704,487 S 5/2014 Smith et al.  
 D704,944 S 5/2014 Koepke et al.  
 D707,976 S 7/2014 Smith et al.  
 D710,640 S 8/2014 Usumoto et al.  
 D711,127 S 8/2014 Wilkinson et al.  
 D713,664 S 9/2014 Vetter et al.  
 D714,069 S 9/2014 Cvek  
 D714,070 S 9/2014 Cvek  
 D724,367 S 3/2015 Sander  
 D726,468 S \* 4/2015 McKenna ..... D6/716  
 D727,076 S 4/2015 Usumoto  
 D727,079 S 4/2015 Usumoto  
 D728,292 S 5/2015 Ooki  
 D729,530 S \* 5/2015 Robins ..... D6/338  
 D729,564 S \* 5/2015 Robins ..... D6/716  
 D731,801 S \* 6/2015 McKenna ..... D6/366  
 D731,802 S \* 6/2015 McKenna ..... D6/366  
 D738,657 S \* 9/2015 Robins ..... D6/375  
 D742,673 S \* 11/2015 Dorigo ..... D6/375  
 D743,711 S \* 11/2015 Lissoni ..... D6/375  
 D752,889 S \* 4/2016 Bench ..... D6/366  
 D768,421 S \* 10/2016 Kubryk ..... D6/716  
 2005/0275265 A1 12/2005 Deimen et al.

OTHER PUBLICATIONS

Wayfair [online] Retrieved on May 4, 2017 from URL <https://www.wayfair.com/Edgemod-Barclay-Arm-Chair-EDMO1024.html>.\*

\* cited by examiner

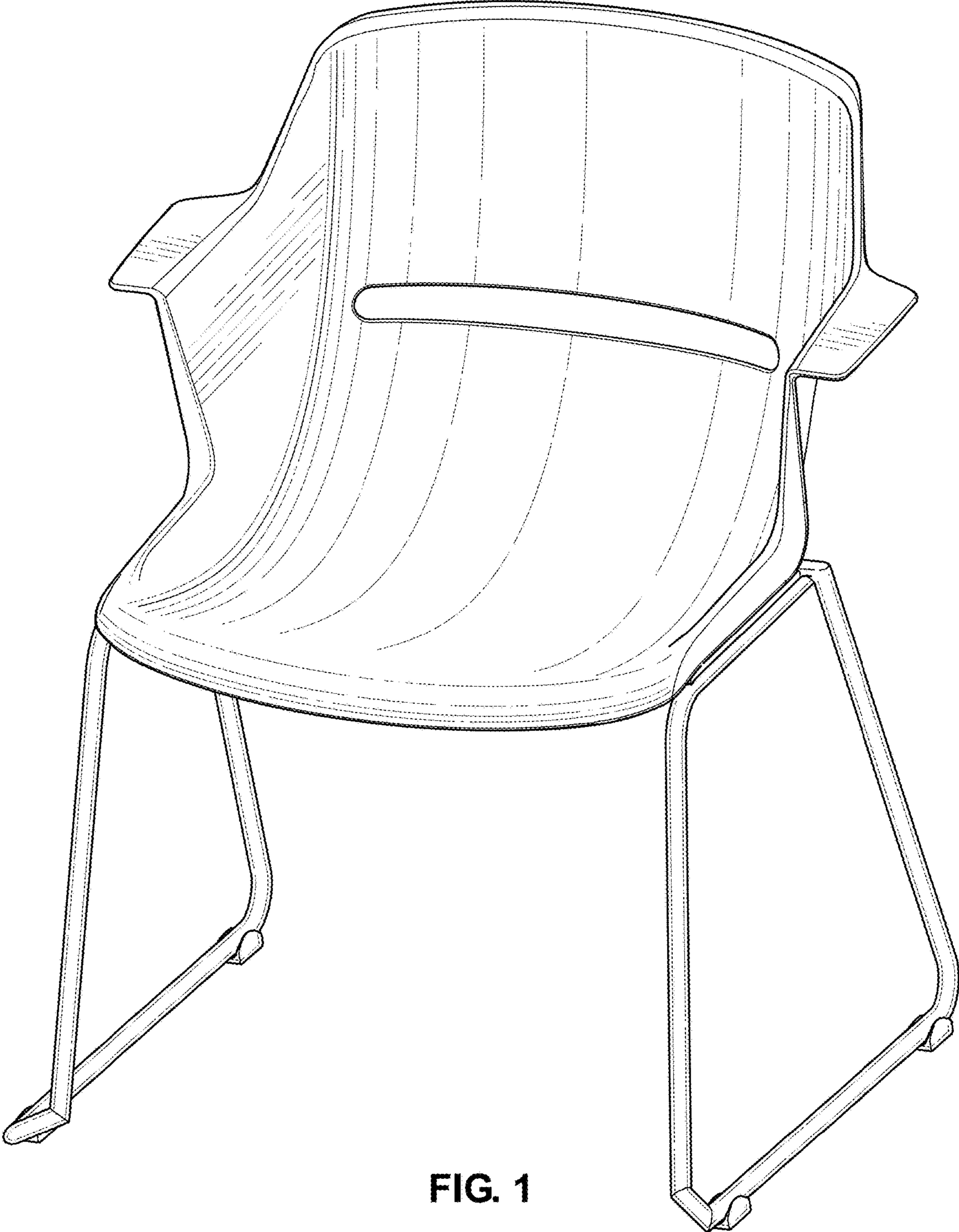


FIG. 1



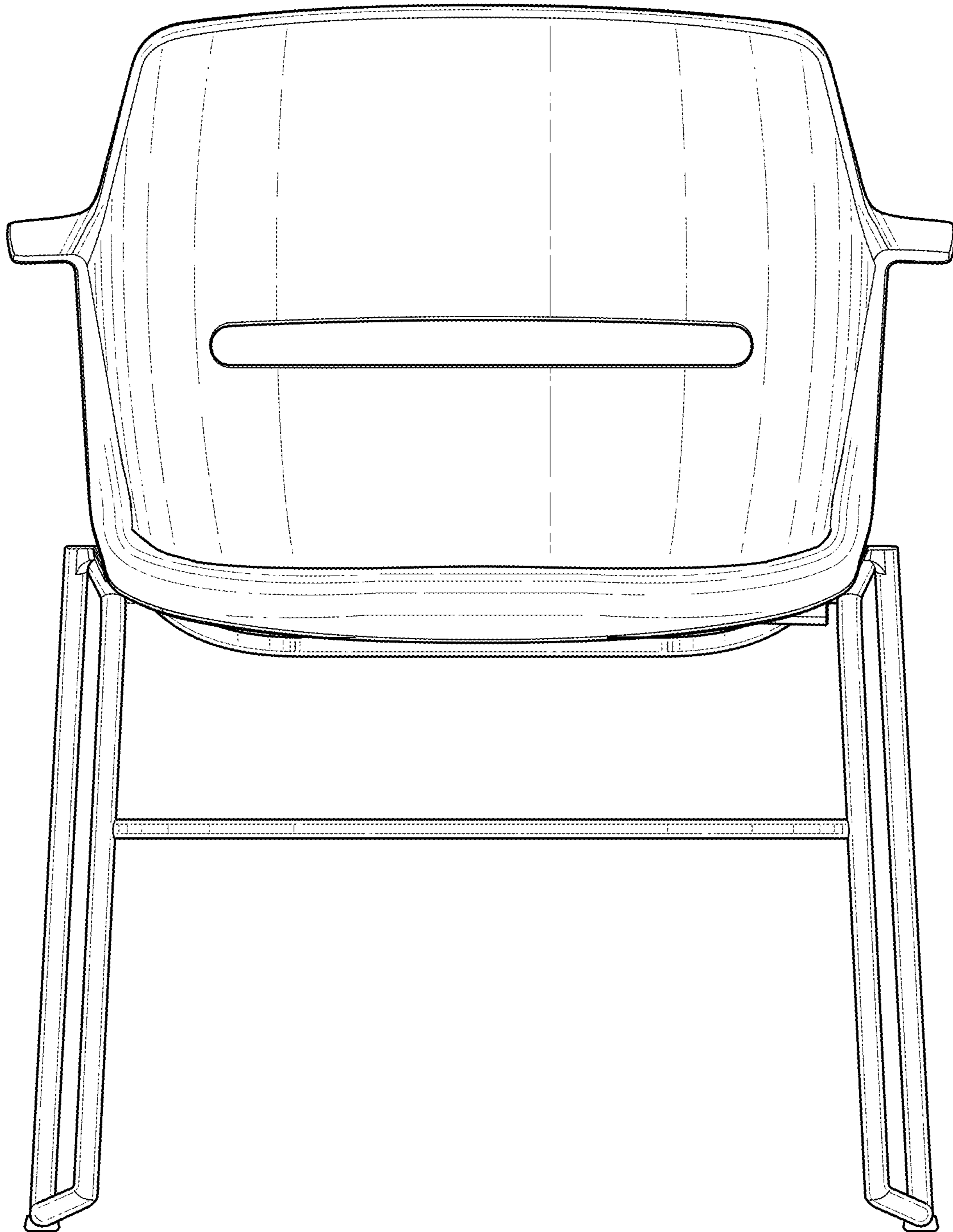


FIG. 2



FIG. 3

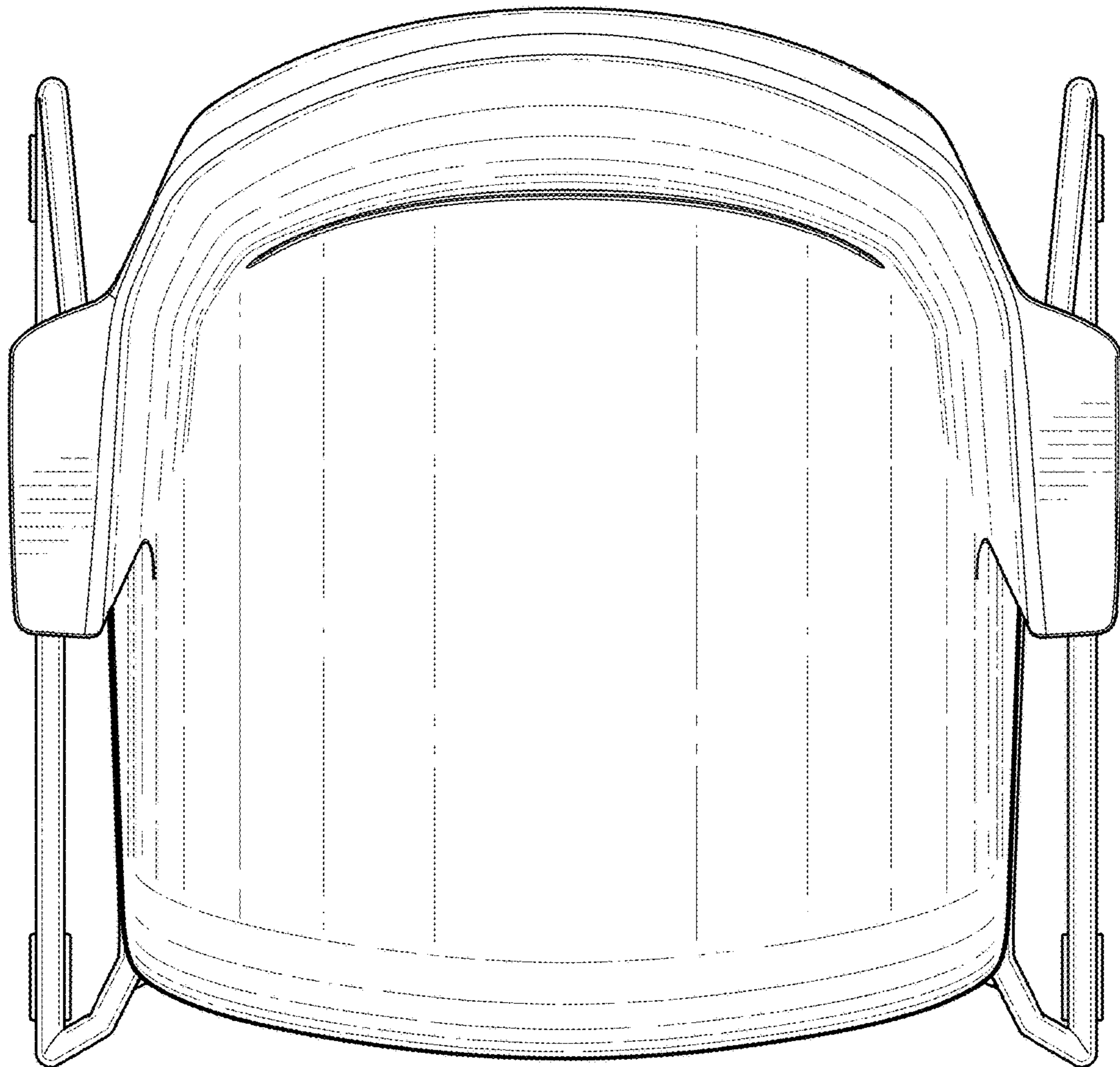


FIG. 4

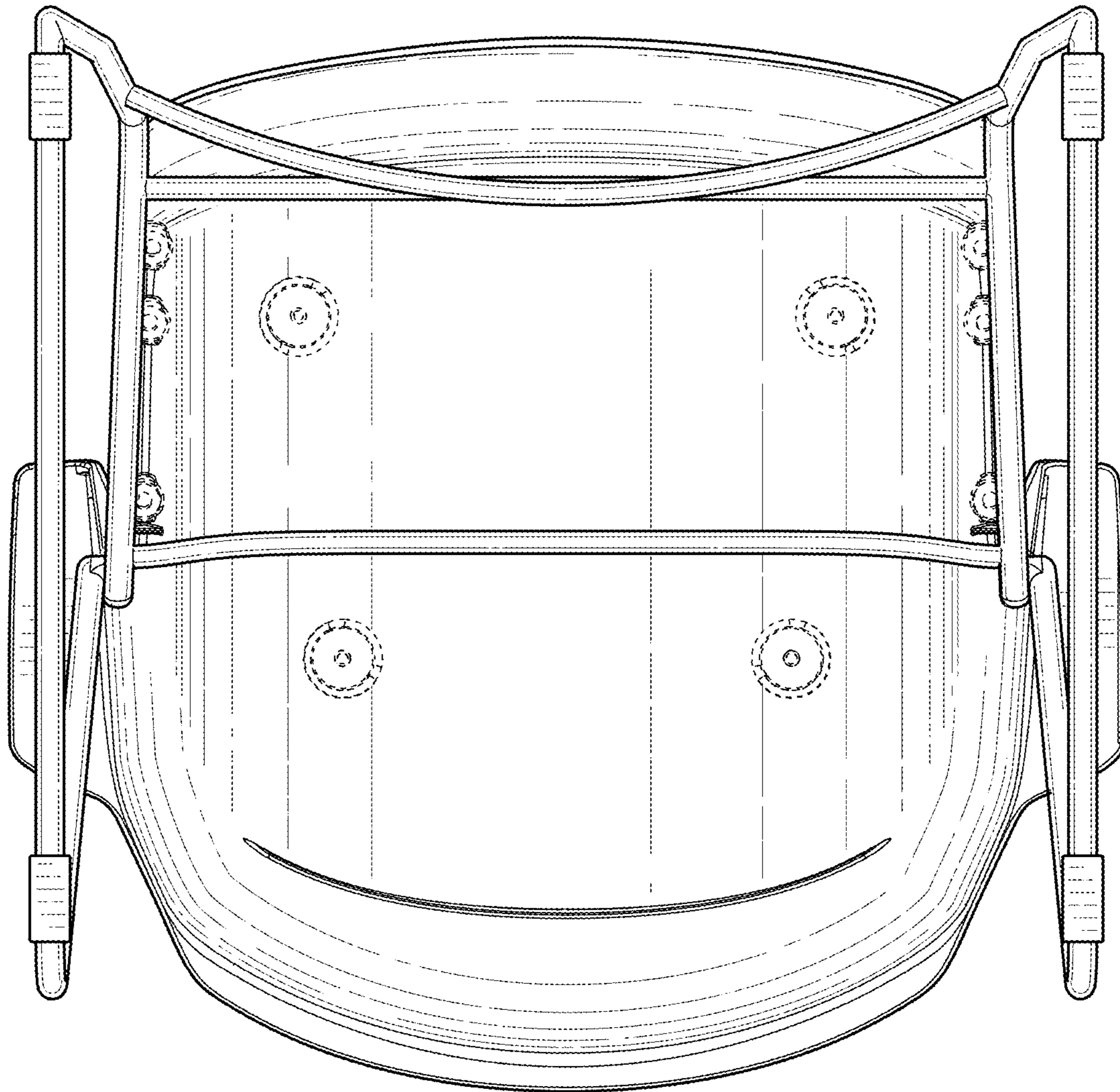


FIG. 5



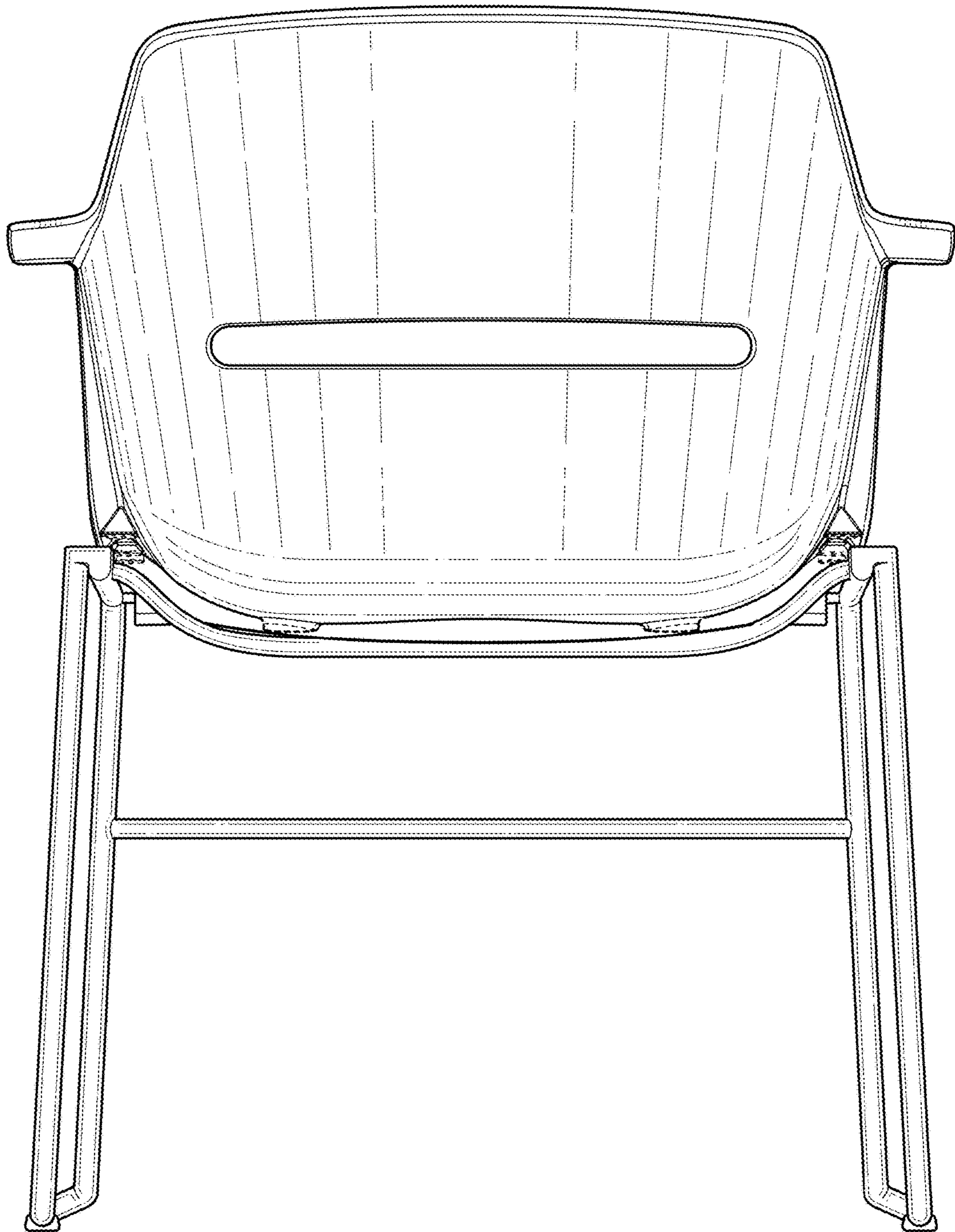


FIG. 6