



US00D799843S

(12) **United States Design Patent**
Chen

(10) **Patent No.:** **US D799,843 S**

(45) **Date of Patent:** **** Oct. 17, 2017**

(54) **CHAIR**

(71) Applicant: **Min Chen**, Foshan (CN)

(72) Inventor: **Min Chen**, Foshan (CN)

(73) Assignee: **Min Chen**, Foshan (CN)

(**) Term: **15 Years**

(21) Appl. No.: **29/533,159**

(22) Filed: **Jul. 15, 2015**

(30) **Foreign Application Priority Data**

Feb. 13, 2015 (CN) 2015 3 0044873

(51) **LOC (10) Cl.** **06-01**

(52) **U.S. Cl.**
USPC **D6/366**

(58) **Field of Classification Search**
USPC D6/364-368, 374, 716; 297/228.11,
297/284.4, 344.19, 353, 411.2, 452.18,
297/452.24, 452.26, 452.28, 452.32-33,
297/452.37

CPC A47C 7/02; A47C 7/44; A47C 7/46; A47C
7/48; A47C 7/54; A47C 7/386; A47C
7/462; A47C 1/10; A47C 1/031; B60N
2/02; B60N 2/22; B60N 2/44

See application file for complete search history.

(56) **References Cited**

U.S. PATENT DOCUMENTS

D445,580 S * 7/2001 Pennington D6/366
D534,364 S * 1/2007 Loew D6/366

D535,112 S * 1/2007 Bennett D6/366
D559,571 S * 1/2008 Meda D6/366
D579,223 S * 10/2008 Greutmann D6/366
D579,695 S * 11/2008 Wu D6/366
D582,170 S * 12/2008 Chi D6/366
D649,795 S * 12/2011 Izawa D6/366
D697,726 S * 1/2014 Smith D6/366
D704,944 S * 5/2014 Koepke D6/366
D707,976 S * 7/2014 Smith D6/366
D724,367 S * 3/2015 Sander D6/366
D733,445 S * 7/2015 Izawa D6/366
D733,446 S * 7/2015 Izawa D6/366
D750,911 S * 3/2016 Su D6/366
2014/0077542 A1 * 3/2014 Vander Veen A47C 1/032
297/228.11

* cited by examiner

Primary Examiner — Manpreet Matharu

Assistant Examiner — Keith Wilson

(74) *Attorney, Agent, or Firm* — Daniel J. Chalker; Edwin
S. Flores; Chalker Flores, LLP

(57) **CLAIM**

The ornamental design for a chair, as shown and described.

DESCRIPTION

FIG. 1 is a front side perspective view of a chair showing my
new design;

FIG. 2 is a rear side perspective view thereof;

FIG. 3 is a front side elevation view thereof;

FIG. 4 is a rear side elevation view thereof;

FIG. 5 is a left side elevation view thereof;

FIG. 6 is a right side elevation view thereof;

FIG. 7 is a top plan view thereof; and,

FIG. 8 is a bottom plan view thereof.

1 Claim, 8 Drawing Sheets

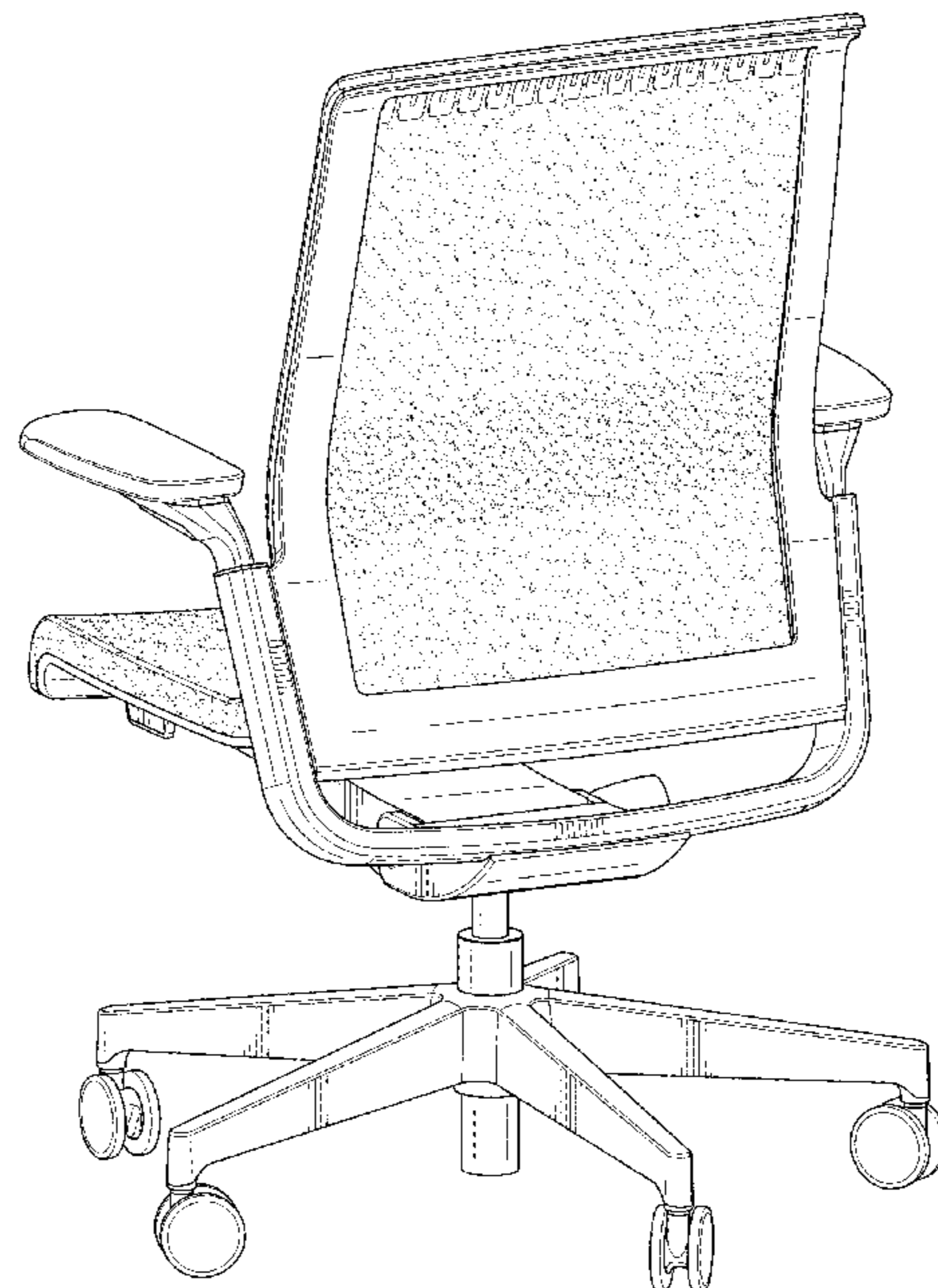




FIG. 1

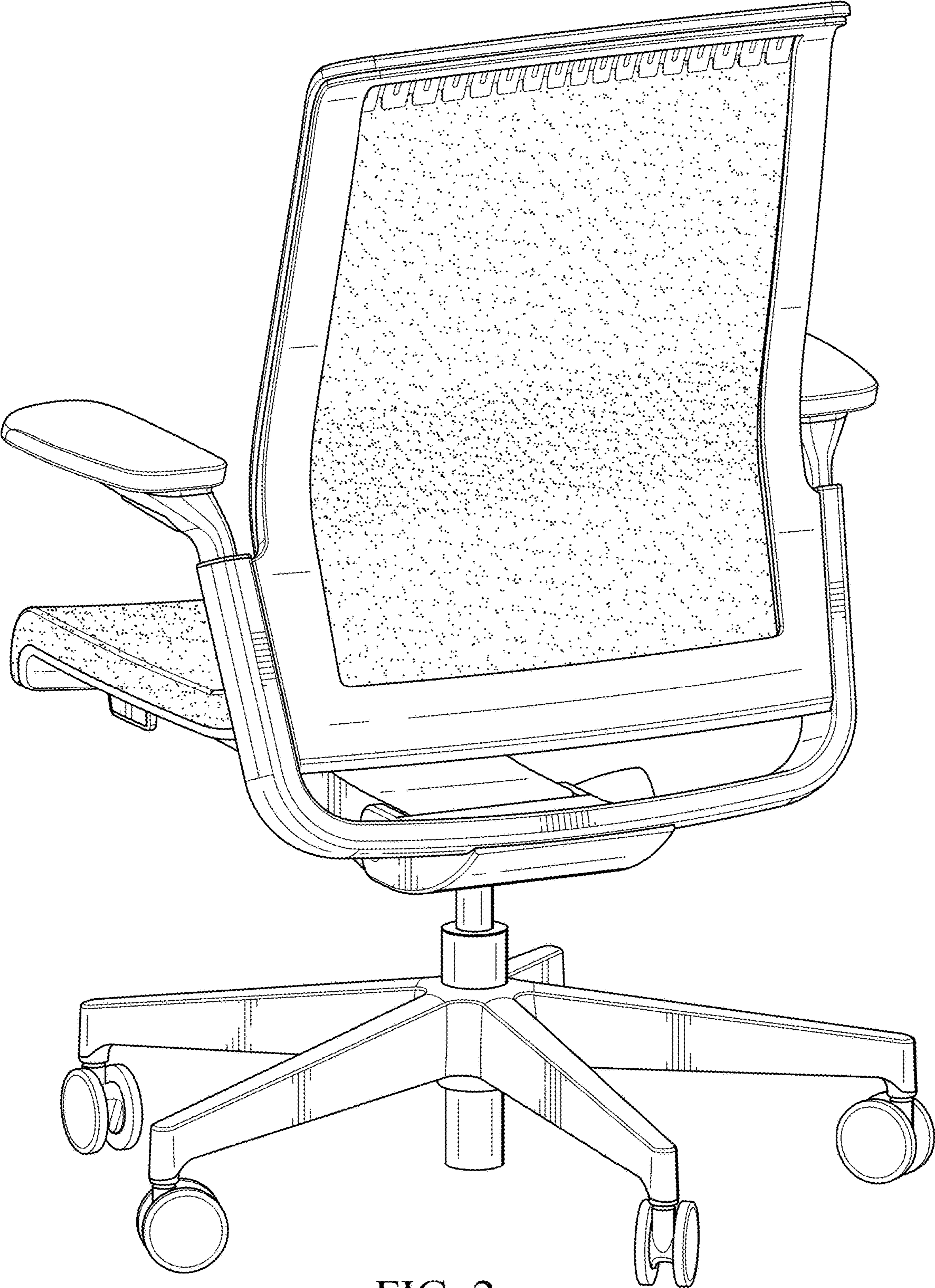


FIG. 2



FIG. 3

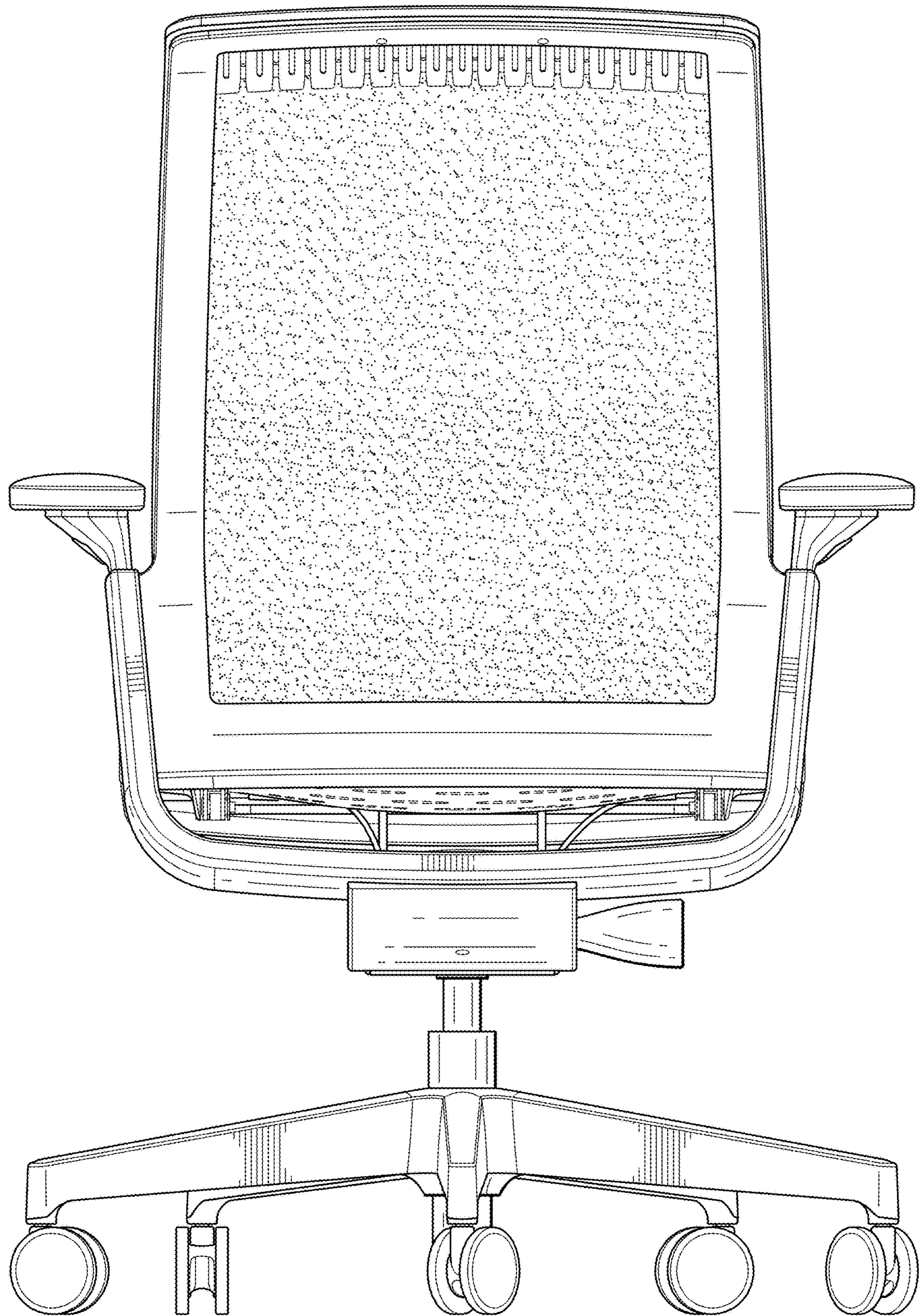


FIG. 4



FIG. 5

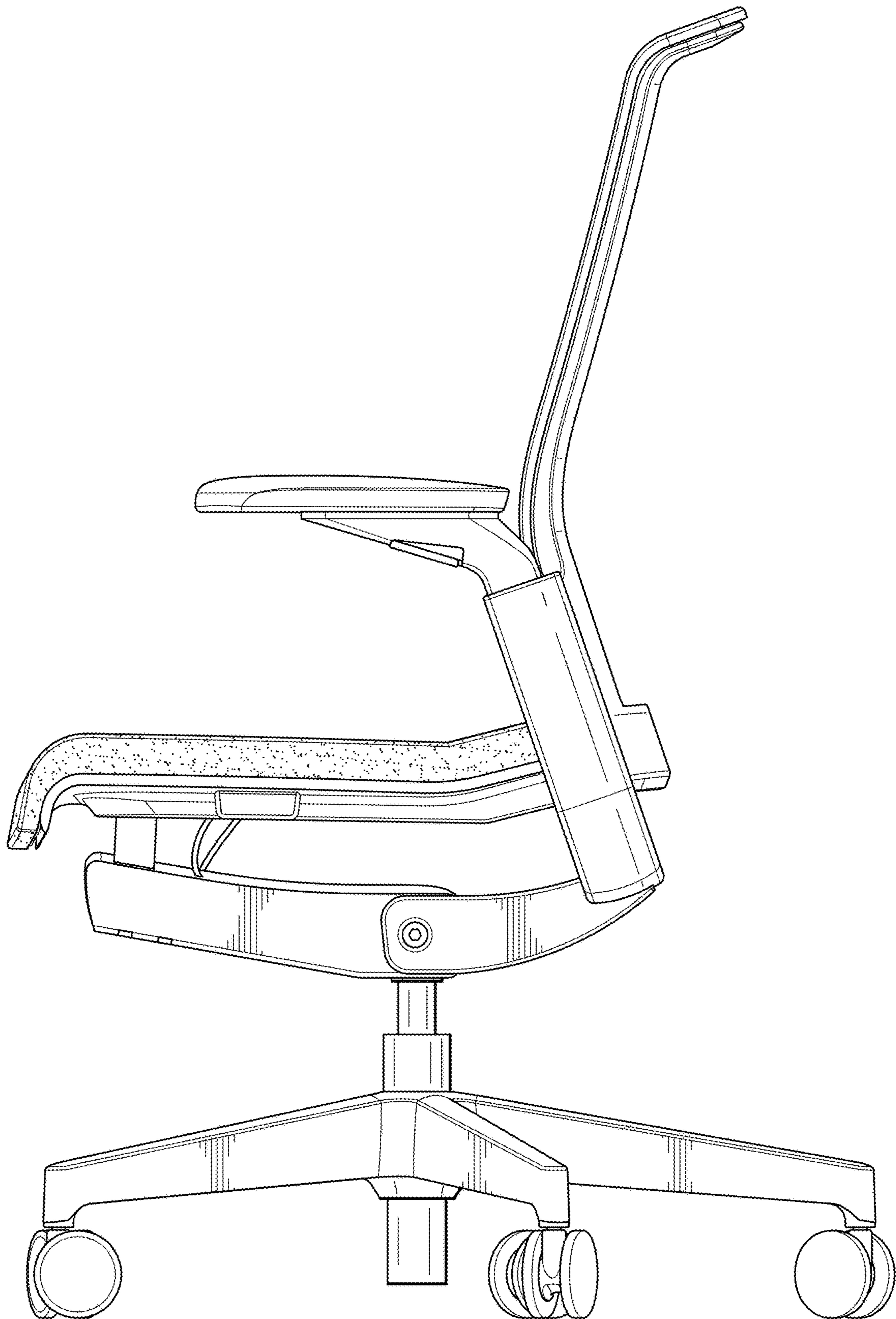


FIG. 6

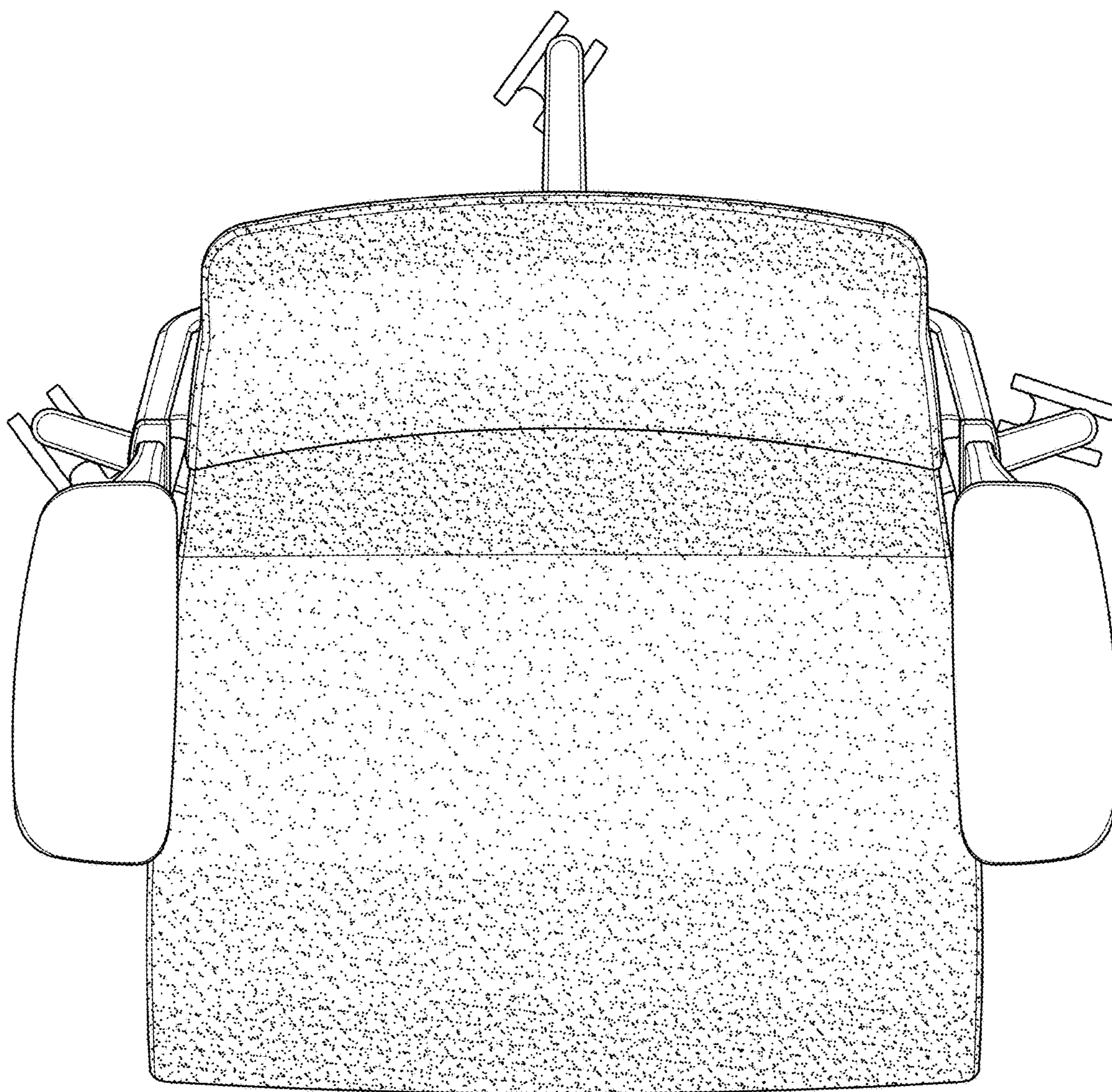


FIG. 7

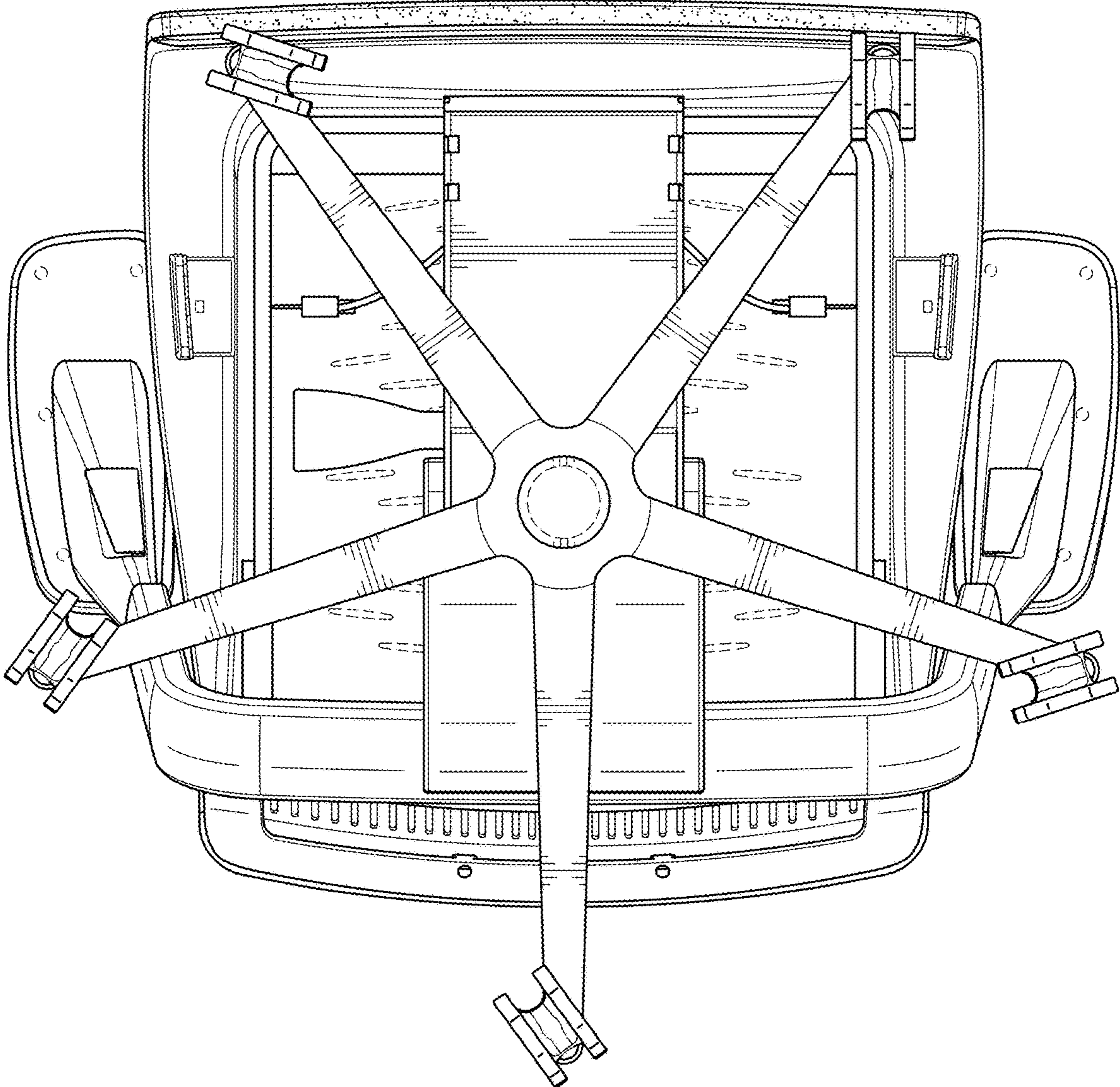


FIG. 8