



US00D799842S

(12) **United States Design Patent**  
**Lee**

(10) **Patent No.:** **US D799,842 S**  
(45) **Date of Patent:** **\*\* Oct. 17, 2017**

(54) **OFFICE CHAIR**

(71) Applicant: **Dawon Chairs Co., Ltd.**, Gyeonggi-do (KR)

(72) Inventor: **Jee Young Lee**, Gyeonggi-do (KR)

(73) Assignee: **Dawon Chairs Co., Ltd** (KR)

(\*\*) Term: **15 Years**

(21) Appl. No.: **29/529,792**

(22) Filed: **Jun. 10, 2015**

(30) **Foreign Application Priority Data**

Jan. 27, 2015 (KR) ..... 30-2015-0004406

(51) **LOC (10) Cl.** ..... **06-01**

(52) **U.S. Cl.**  
USPC ..... **D6/366**

(58) **Field of Classification Search**

USPC ..... D6/334-336, 364, 365, 366, 374, 379,  
D6/380, 716, 716.1, 716.2, 716.4, 716.5  
CPC .. A47C 7/38; A47C 7/022; A47C 7/40; A47C  
7/18; A47C 7/004; A47C 4/028; A47C  
7/383; A47C 7/46; A47C 7/54; B60N  
2/66

See application file for complete search history.

(56) **References Cited**

**U.S. PATENT DOCUMENTS**

7,159,943 B2 \* 1/2007 Costaglia ..... A47C 7/46  
297/301.4  
D650,617 S \* 12/2011 Chen ..... D6/366

D653,467 S \* 2/2012 Ballendat ..... D6/366  
D655,524 S \* 3/2012 Kim ..... D6/366  
D656,329 S \* 3/2012 Nakamura ..... D6/366  
D665,590 S \* 8/2012 Wagner ..... D6/366  
D670,927 S \* 11/2012 Hurford ..... D6/366  
D694,541 S \* 12/2013 Breen ..... D6/366  
D697,330 S \* 1/2014 Chen ..... D6/366  
D755,532 S \* 5/2016 Su ..... D6/366

\* cited by examiner

*Primary Examiner* — Mimoso De

(74) *Attorney, Agent, or Firm* — Blank Rome LLP; Peter S. Weissman

(57) **CLAIM**

The ornamental design for an office chair, as shown and described.

**DESCRIPTION**

FIG. 1 is a front perspective view of an office chair; FIG. 2 is a front elevation view of the office chair of FIG. 1; FIG. 3 is a rear elevation view of the office chair of FIG. 1; FIG. 4 is a left-side view of the office chair of FIG. 1; FIG. 5 is a right-side view of the office chair of FIG. 1; FIG. 6 is a top plan view of the office chair of FIG. 1; and, FIG. 7 is a bottom plan view of the office chair of FIG. 1. The broken line illustrations show the environment of the invention and are not part of the design sought to be patented.

**1 Claim, 7 Drawing Sheets**

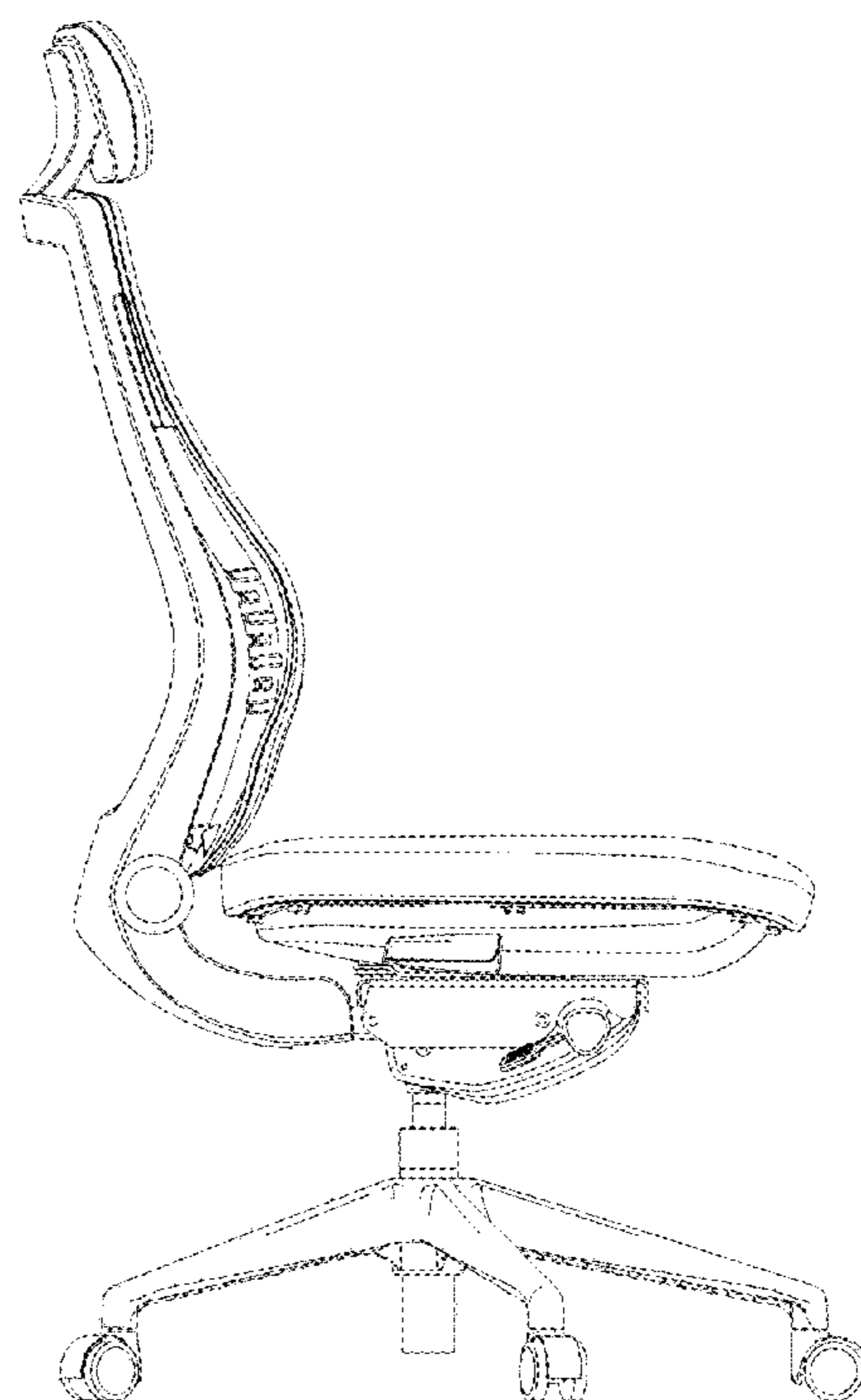
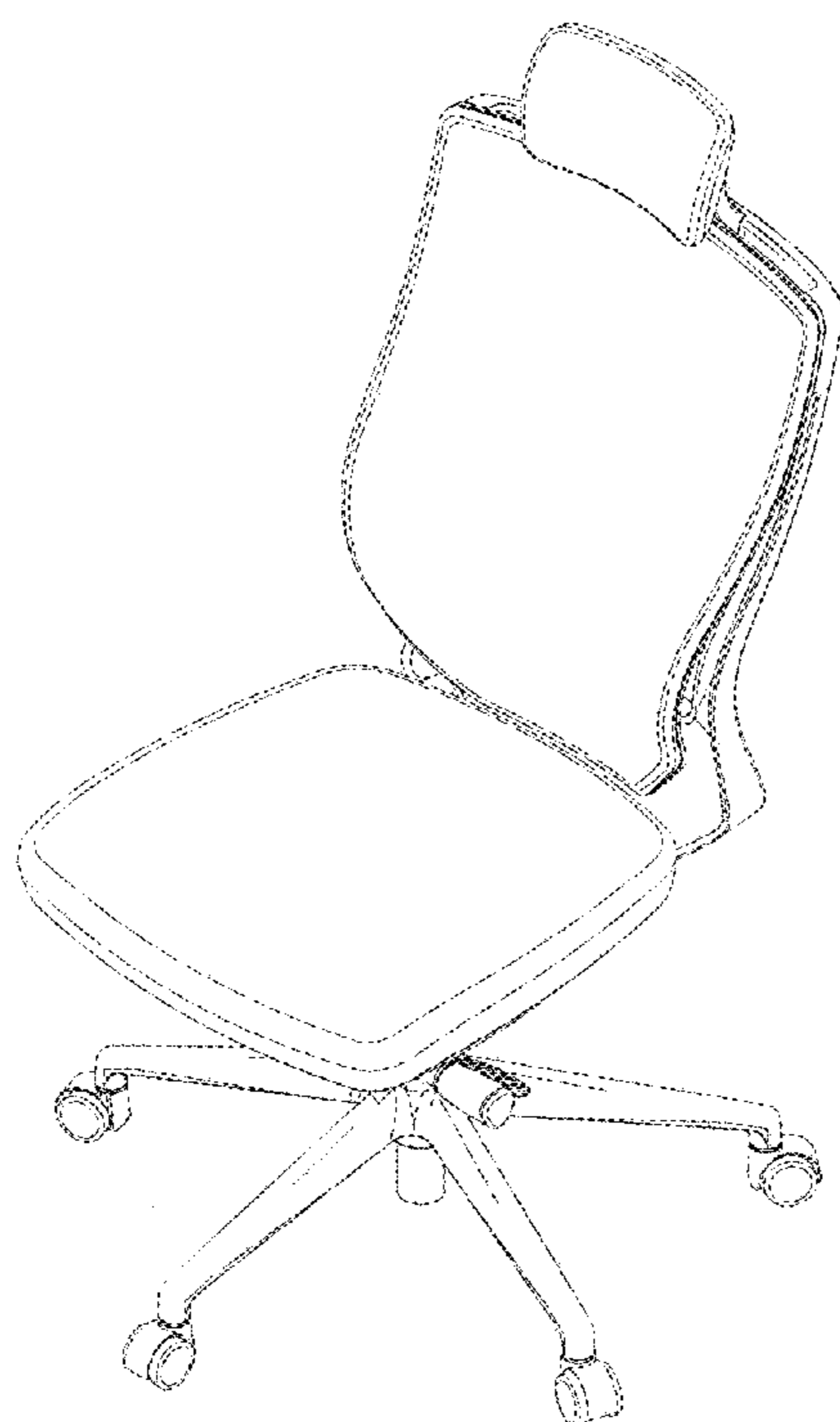


FIG. 1

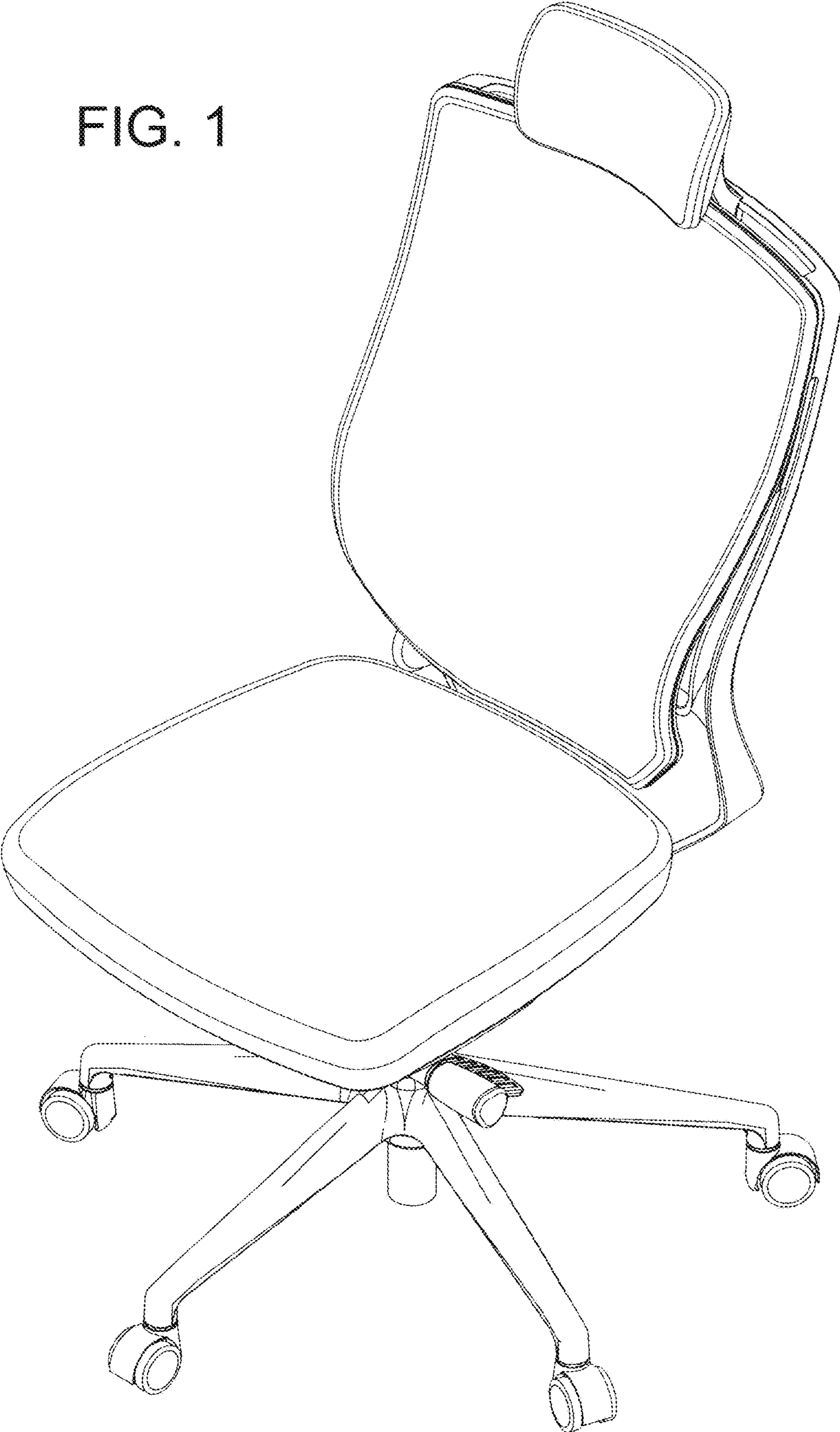


FIG. 2

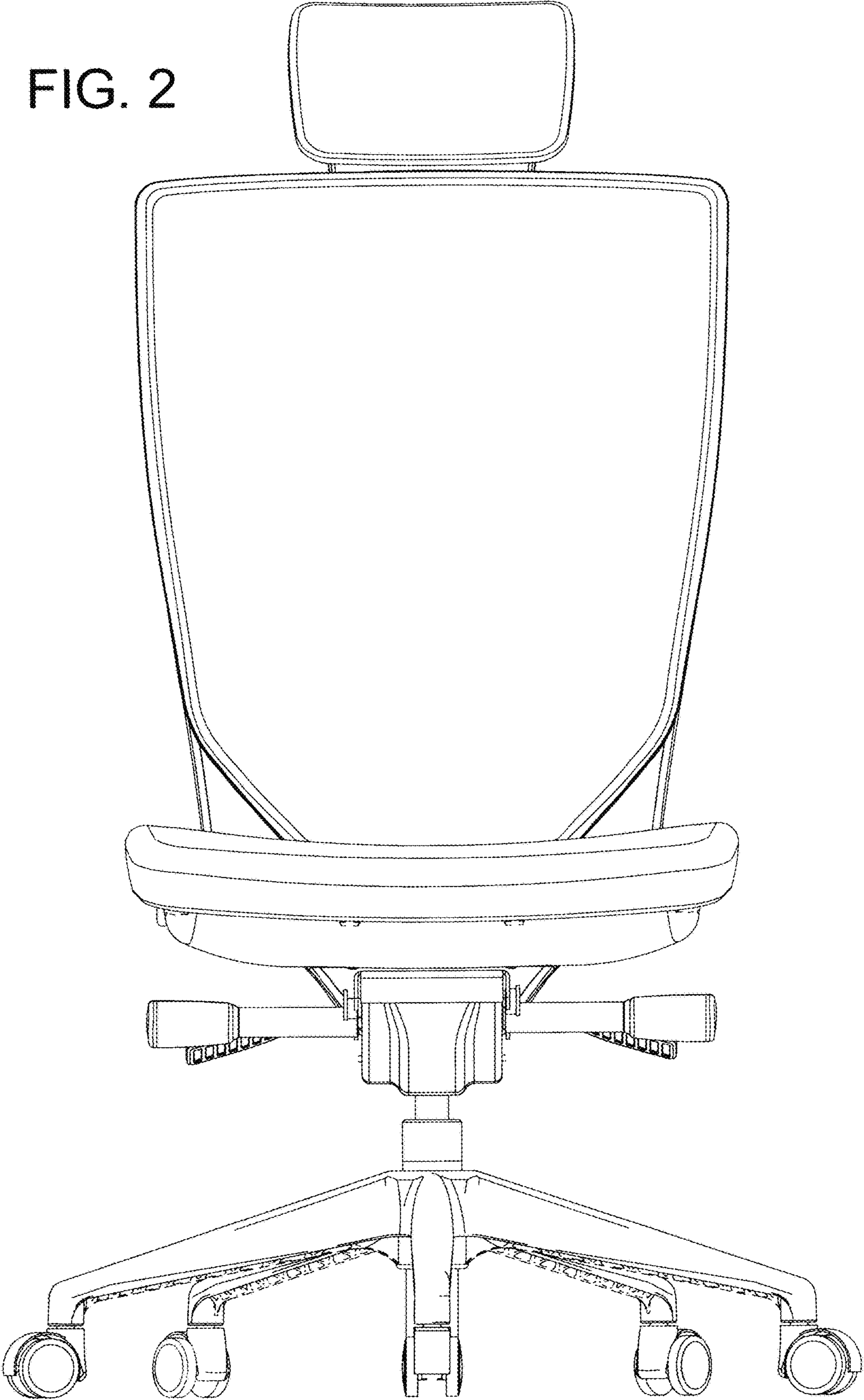
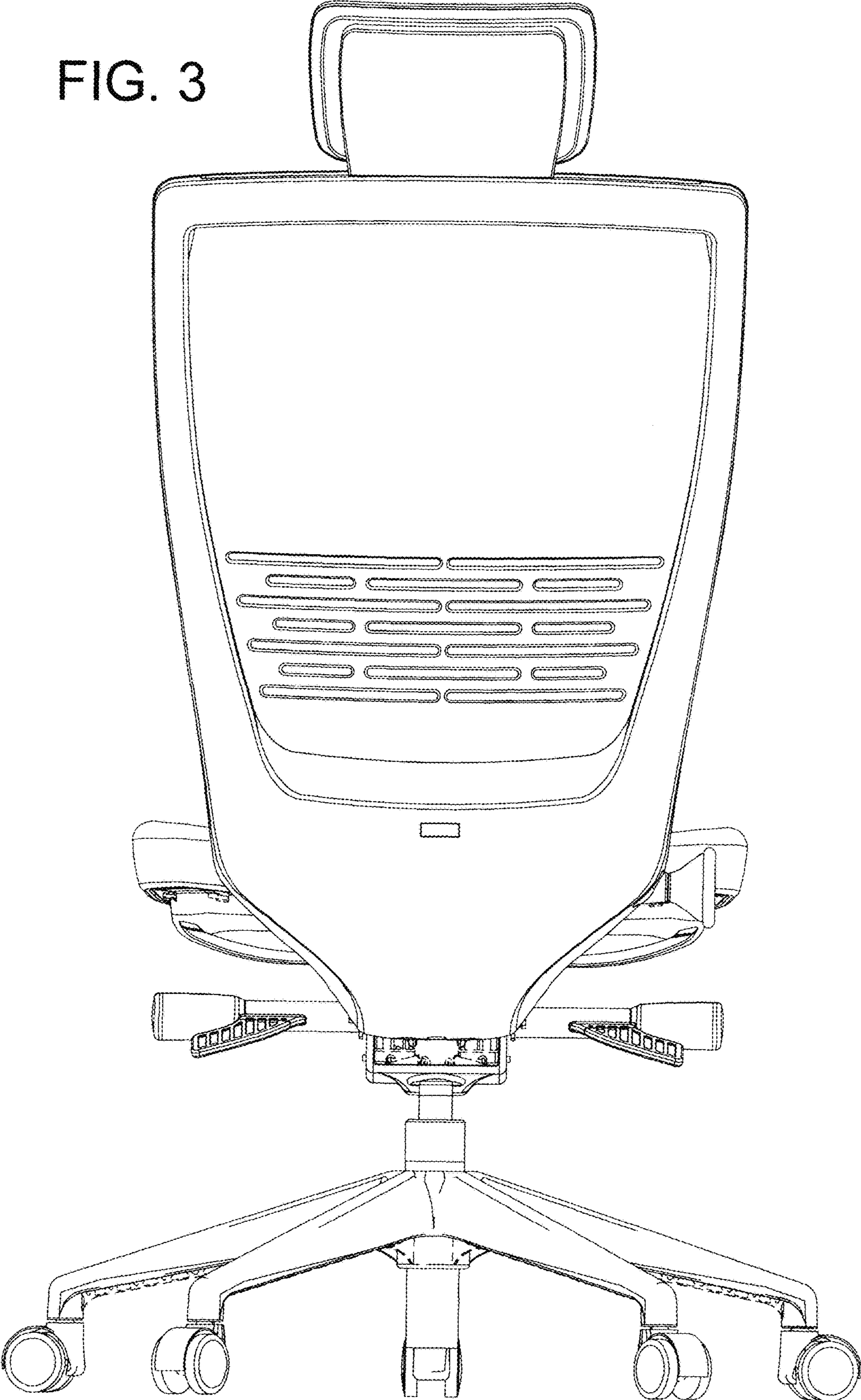


FIG. 3



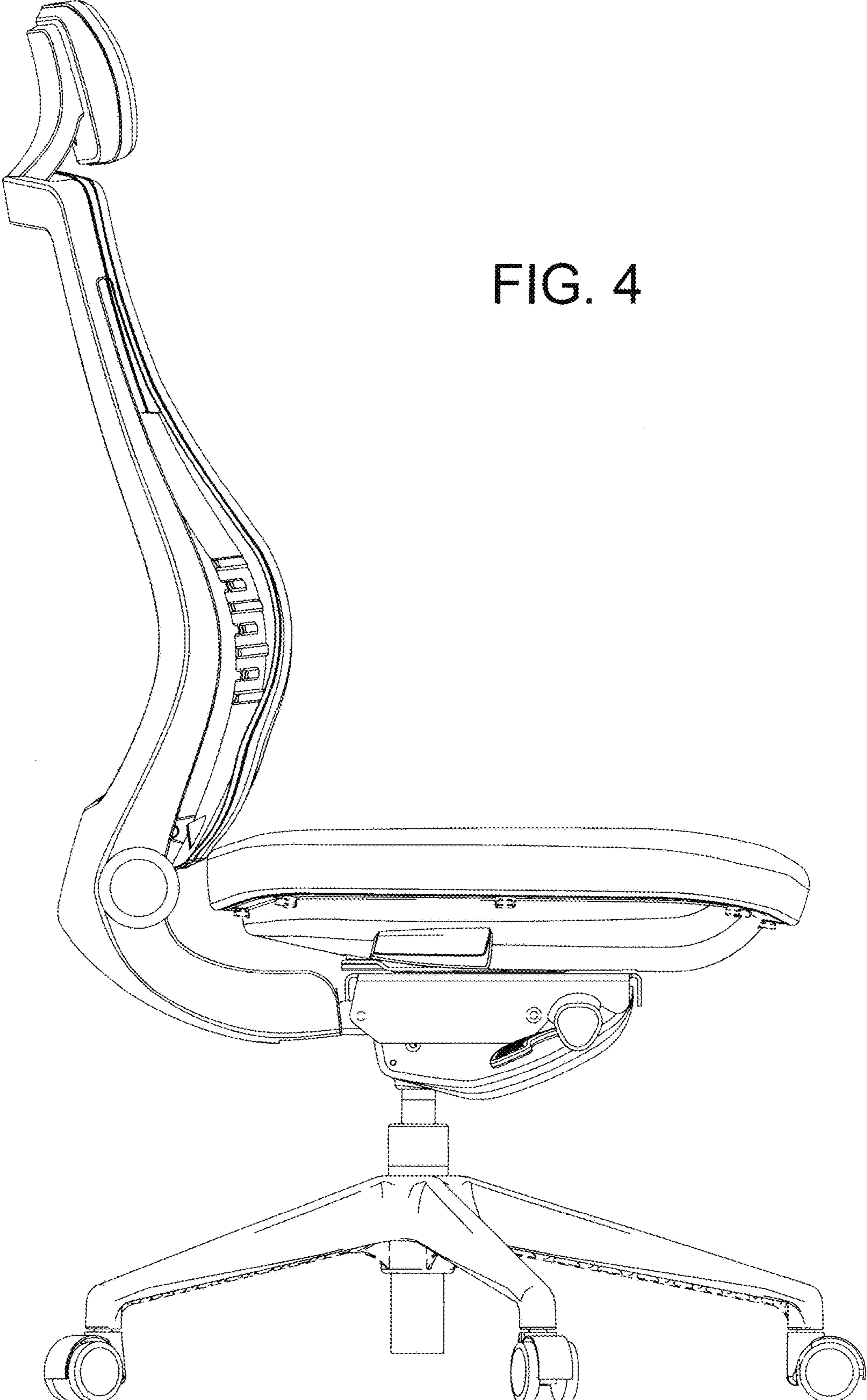
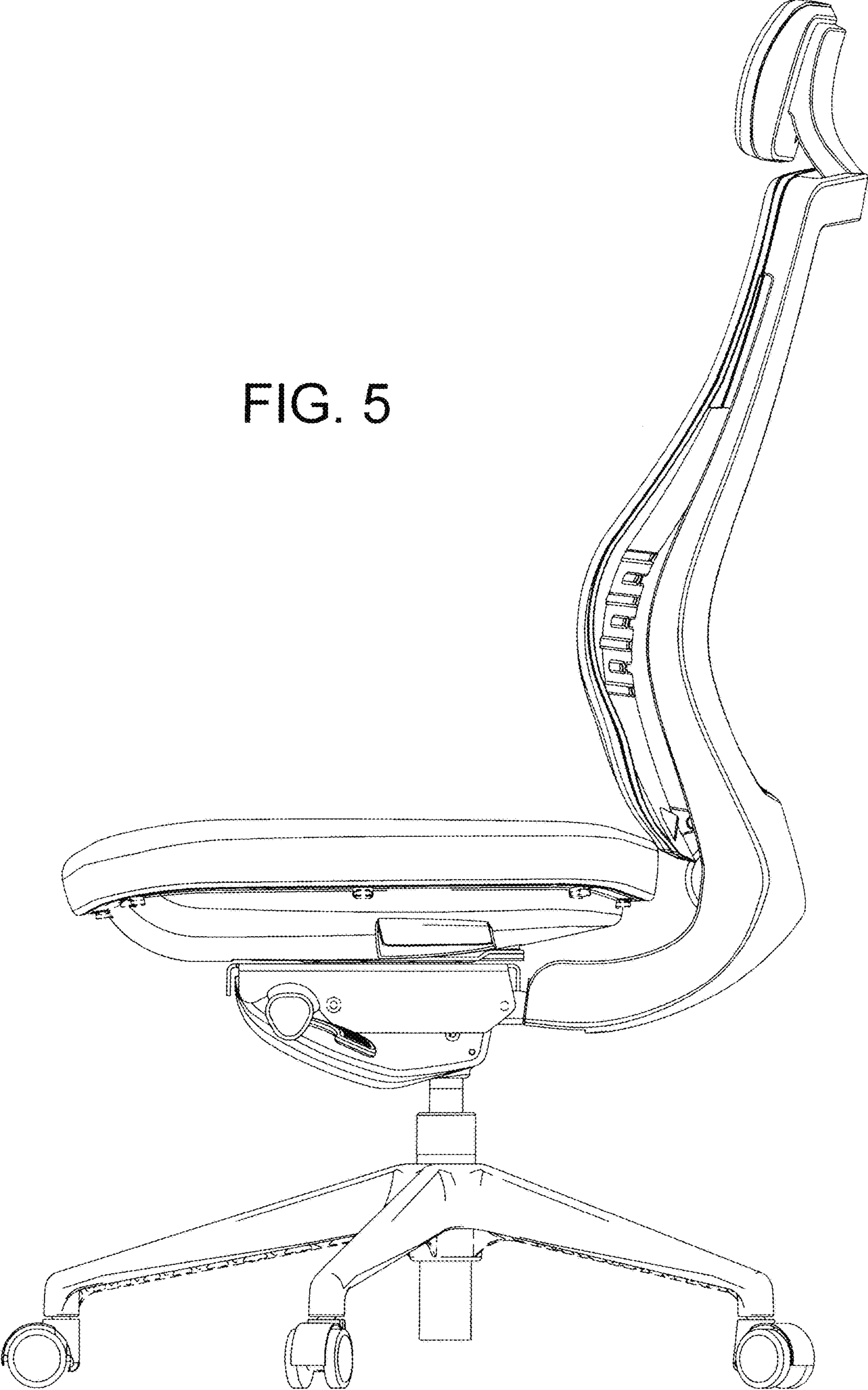


FIG. 4

FIG. 5



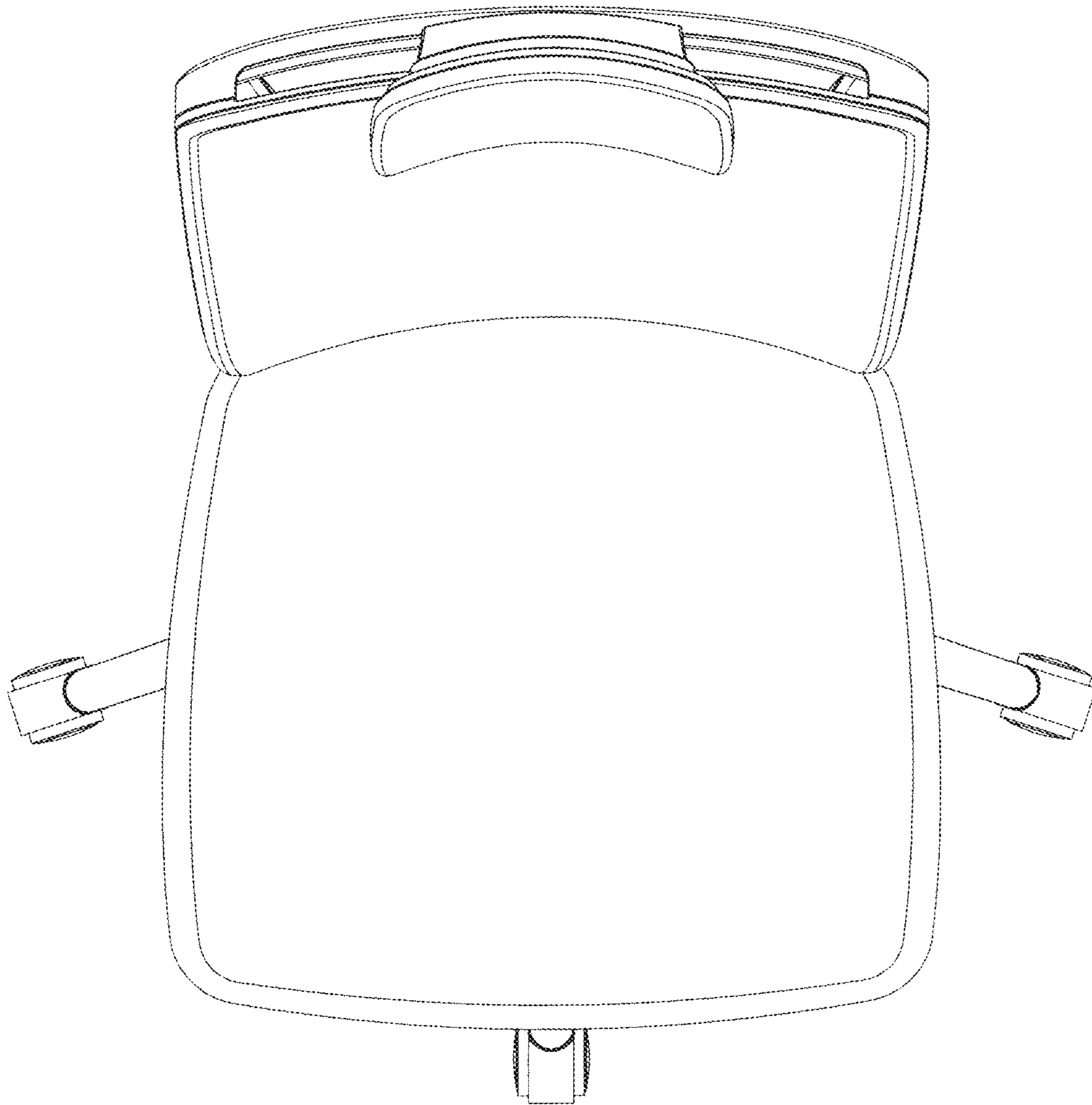


FIG. 6

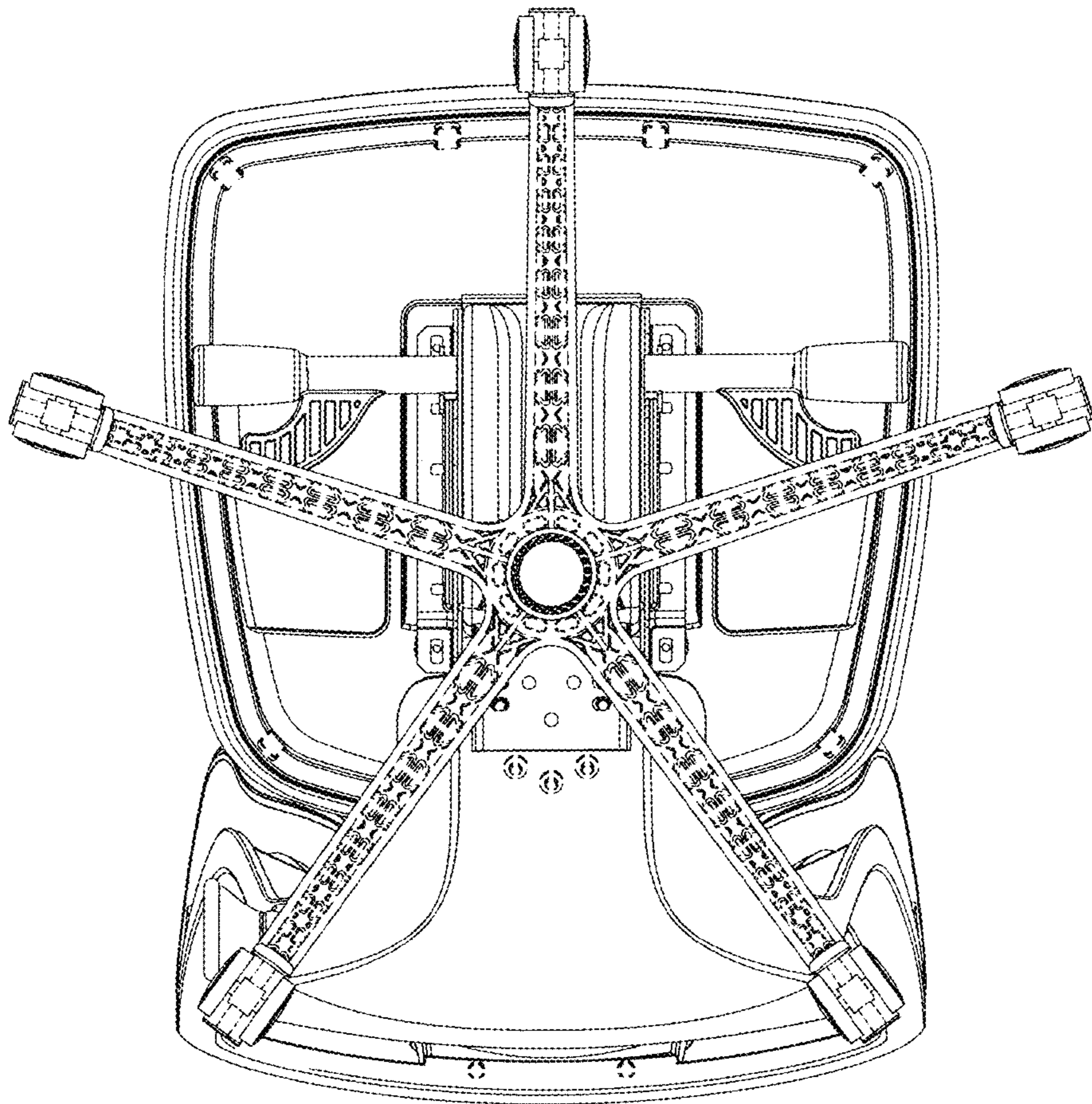


FIG. 7