



US00D799841S

(12) **United States Design Patent** (10) **Patent No.:** **US D799,841 S**
Williams (45) **Date of Patent:** **** Oct. 17, 2017**

(54) **KNEE REST**
(71) Applicant: **Douglas Williams**, Robbinsdale, MN (US)
(72) Inventor: **Douglas Williams**, Robbinsdale, MN (US)
(73) Assignee: **Douglas G. Williams**, Robbinsdale, MN (US)
(**) Term: **15 Years**

D716,570 S * 11/2014 Keen D6/349
D741,073 S * 10/2015 Keen D6/349
D758,747 S * 6/2016 Lenz D6/349
D764,194 S * 8/2016 Murray D6/349
2005/0225141 A1* 10/2005 Marchand A47C 9/025
297/337
2015/0305509 A1* 10/2015 Verdier A47C 9/002
297/174 R
2016/0038780 A1* 2/2016 Hugou A47C 3/029
482/8
2016/0192780 A1* 7/2016 Sinclair A47C 4/04
297/183.5
2016/0278531 A1* 9/2016 Webb A47C 9/10

(21) Appl. No.: **29/505,848**
(22) Filed: **Mar. 7, 2016**
(51) **LOC (10) Cl.** **06-01**
(52) **U.S. Cl.**
USPC **D6/349**; D6/364
(58) **Field of Classification Search**
USPC D6/334, 349-355, 363, 360, 368, 374,
D6/403, 405, 601, 685, 688.17,
D6/693-693.3, 695, 708, 708.15-708.25,
D6/709.11; D25/62-65; D29/121.1
CPC A47C 9/00-9/105; A47C 7/00-7/02; A47C
16/00-16/04; A47B 7/00-7/02; A47B
3/00; A47B 3/02; A47B 3/04; A47B 3/12
See application file for complete search history.

(56) **References Cited**
U.S. PATENT DOCUMENTS
D171,652 S * 3/1954 Keady D6/336
3,467,033 A * 9/1969 Remer A47C 9/10
108/115
D221,543 S * 8/1971 Lassen D6/349
D341,259 S * 11/1993 Mele D6/349
D459,598 S * 7/2002 Andersen D6/349
D496,181 S * 9/2004 Maness D6/692.3
8,403,408 B2 * 3/2013 Hosler A47C 9/025
297/4

OTHER PUBLICATIONS

Knee-Tee Video. [online] Published Jul. 31, 2016. Retrieved from URL <<https://www.youtube.com/watch?v=beoee>yFRiY>>.*

* cited by examiner
Primary Examiner — Vy Koenig

(57) **CLAIM**

I claim the ornamental design for a knee rest, as shown and described.

DESCRIPTION

FIG. 1 is a front perspective view of the knee rest showing my new design;
FIG. 2 is a front perspective elevation view thereof, with the top cloth lifted for ease of illustration;
FIG. 3 is a close-up bottom perspective view of the top portion of the knee rest;
FIG. 4 is a front elevation view thereof; and,
FIG. 5 is a side elevation view thereof.
The broken lines shown in the drawings represent portions of the knee rest that form no part of the claimed design.

1 Claim, 5 Drawing Sheets

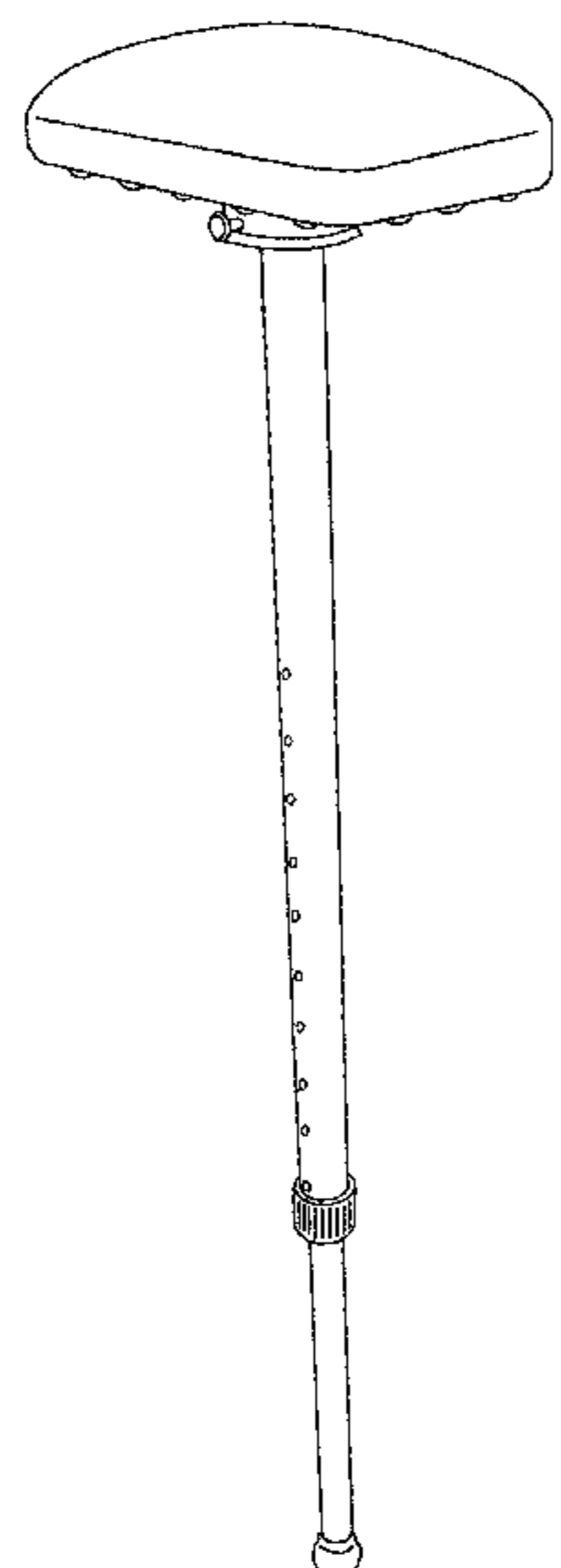


Fig. 1

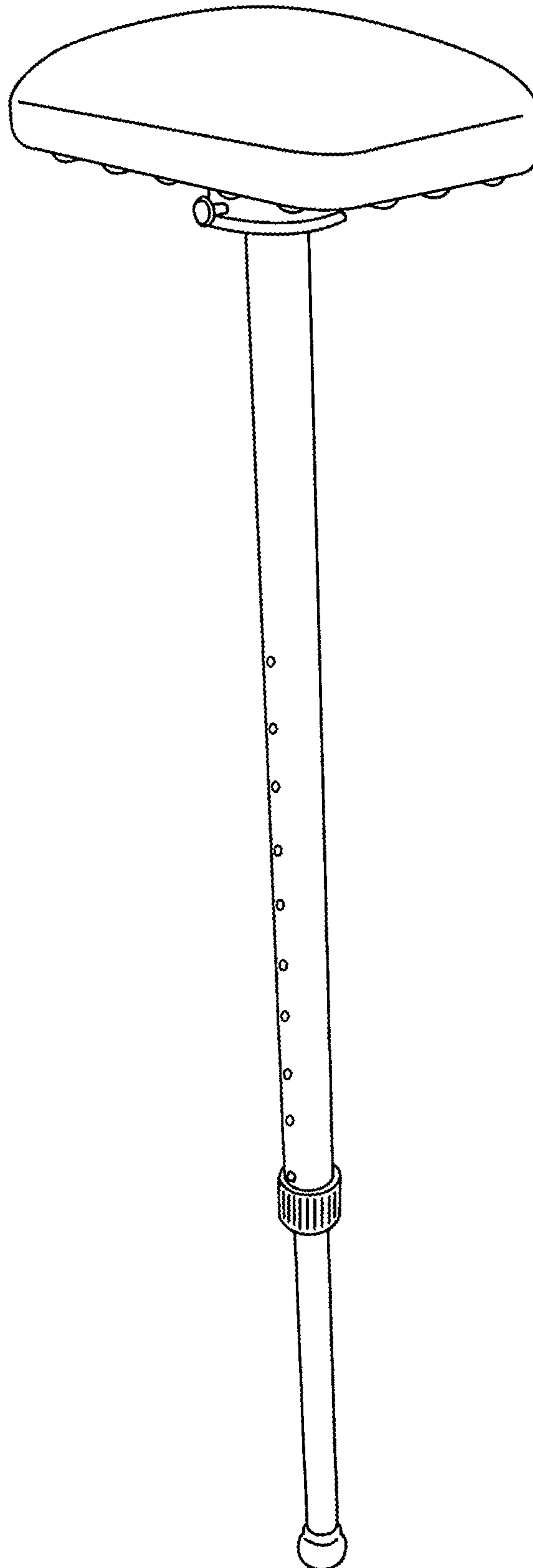


Fig. 2

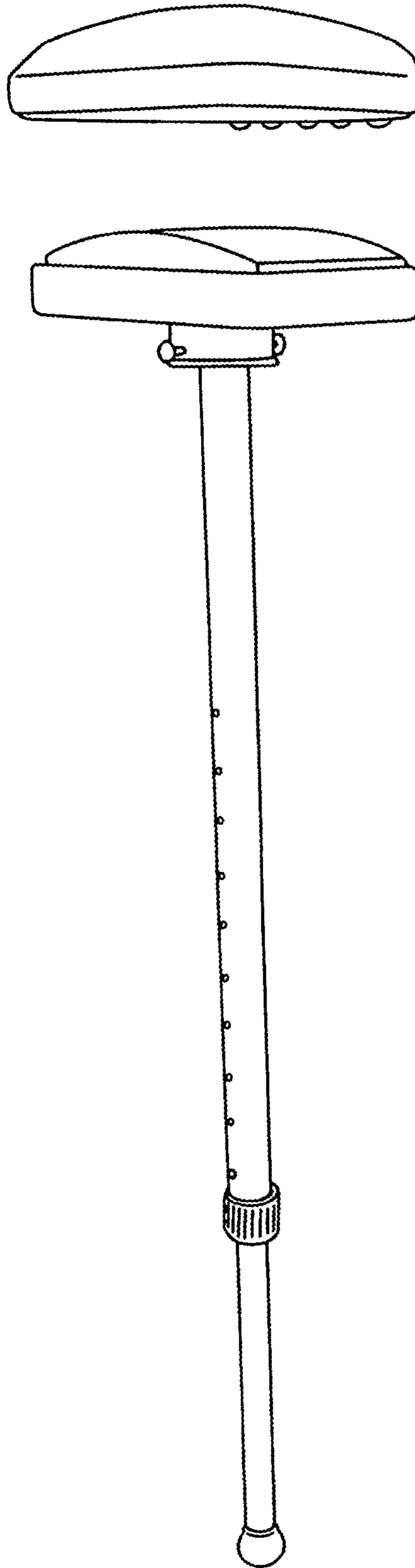


Fig. 3

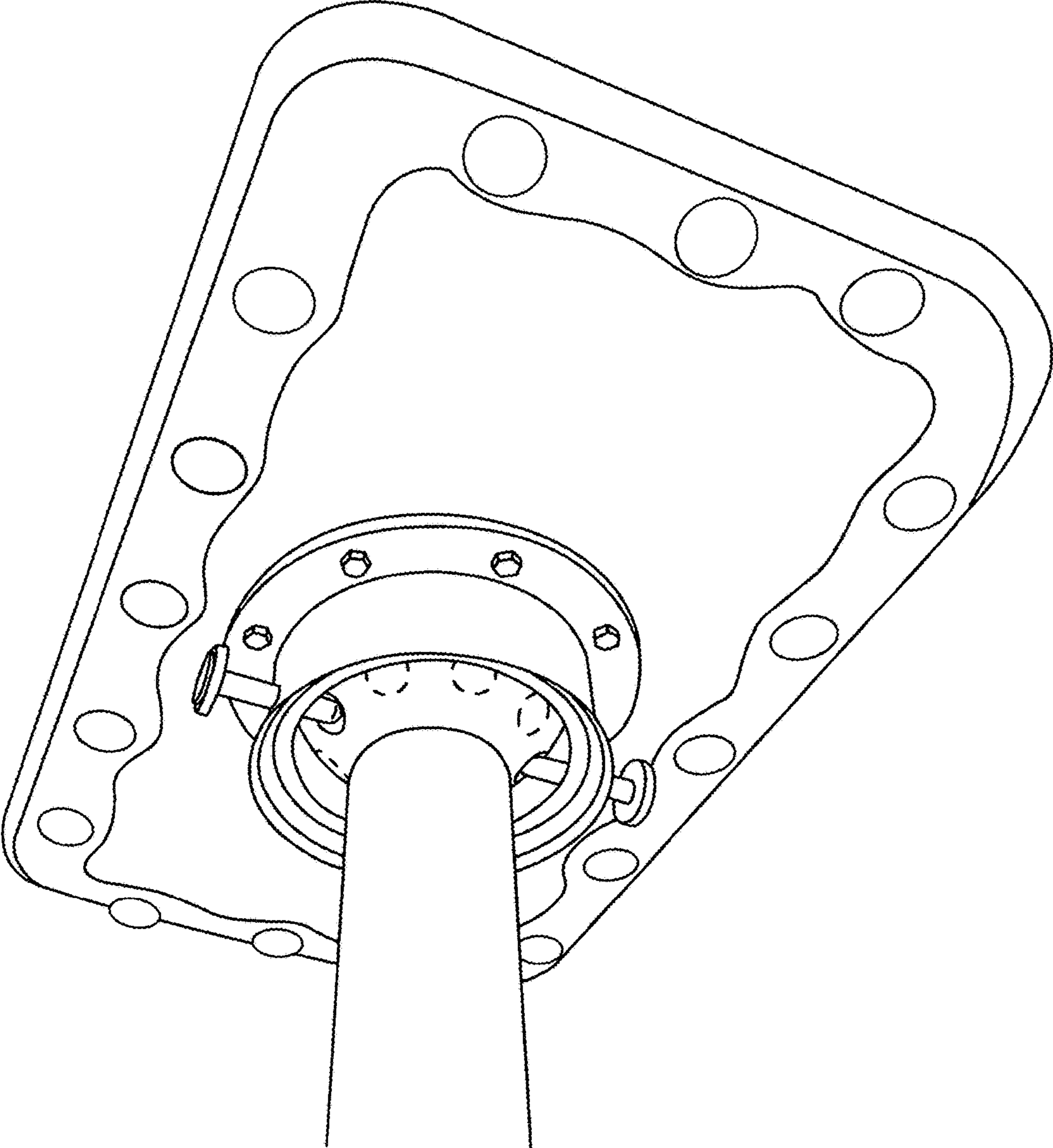


Fig. 4

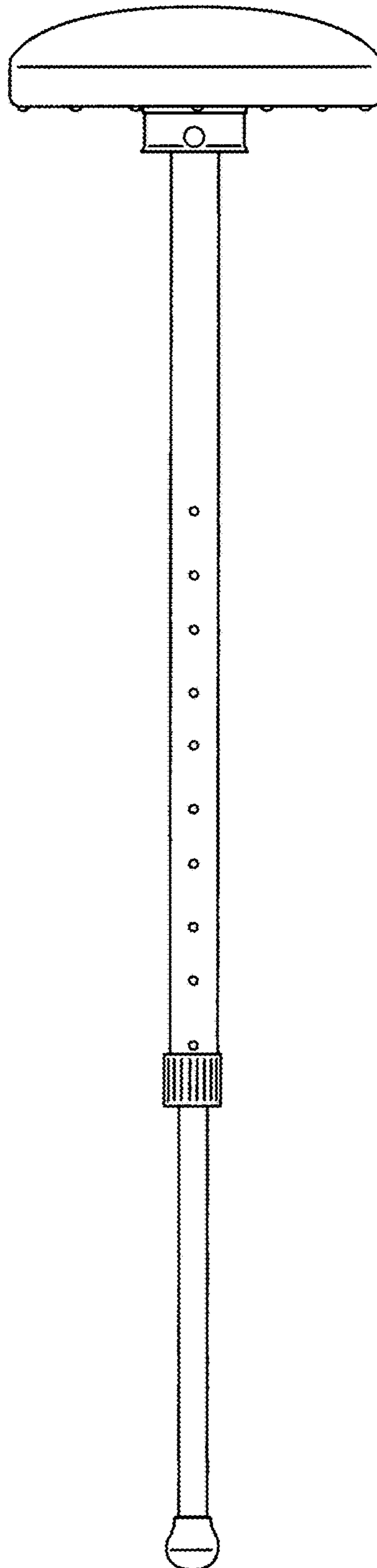


Fig. 5

