



US00D799837S

(12) **United States Design Patent** (10) **Patent No.:** **US D799,837 S**
Wanders (45) **Date of Patent:** **** Oct. 17, 2017**

(54) **BABY BOUNCER SEAT**

(56) **References Cited**

(71) Applicant: **WANDERS WONDERS B.V.**,
Amsterdam (NL)

U.S. PATENT DOCUMENTS

(72) Inventor: **Marcel Wanders**, Amsterdam (NL)

| | | | |
|---------------|---------|--------------|------------------------|
| D200,308 S * | 2/1965 | Klausen | 297/445.1 |
| D213,870 S * | 4/1969 | Hamilton | D6/333 |
| D281,553 S * | 12/1985 | Glawe | D6/333 |
| D282,791 S * | 3/1986 | Lockett, III | D6/333 |
| 5,269,591 A * | 12/1993 | Miga, Jr. | A47D 1/002 297/16.1 |
| D615,309 S * | 5/2010 | Galindo | D6/339 |
| D792,116 S * | 7/2017 | Collot | D6/333 |

(**) Term: **15 Years**

(21) Appl. No.: **35/501,557**

* cited by examiner

(22) Filed: **Mar. 16, 2016**

Primary Examiner — Mary Ann Calabrese

(80) **Hague Agreement Data**

Int. Filing Date: **Mar. 16, 2016**

(57) **CLAIM**

Int. Reg. No.: **DM/090286**

The ornamental design for a baby bouncer seat, as shown and described.

Int. Reg. Date: **Mar. 16, 2016**

Int. Reg. Pub. Date: **Sep. 16, 2016**

DESCRIPTION

(51) **LOC (10) Cl.** **06-01**

(52) **U.S. Cl.**

USPC **D6/344**

(58) **Field of Classification Search**

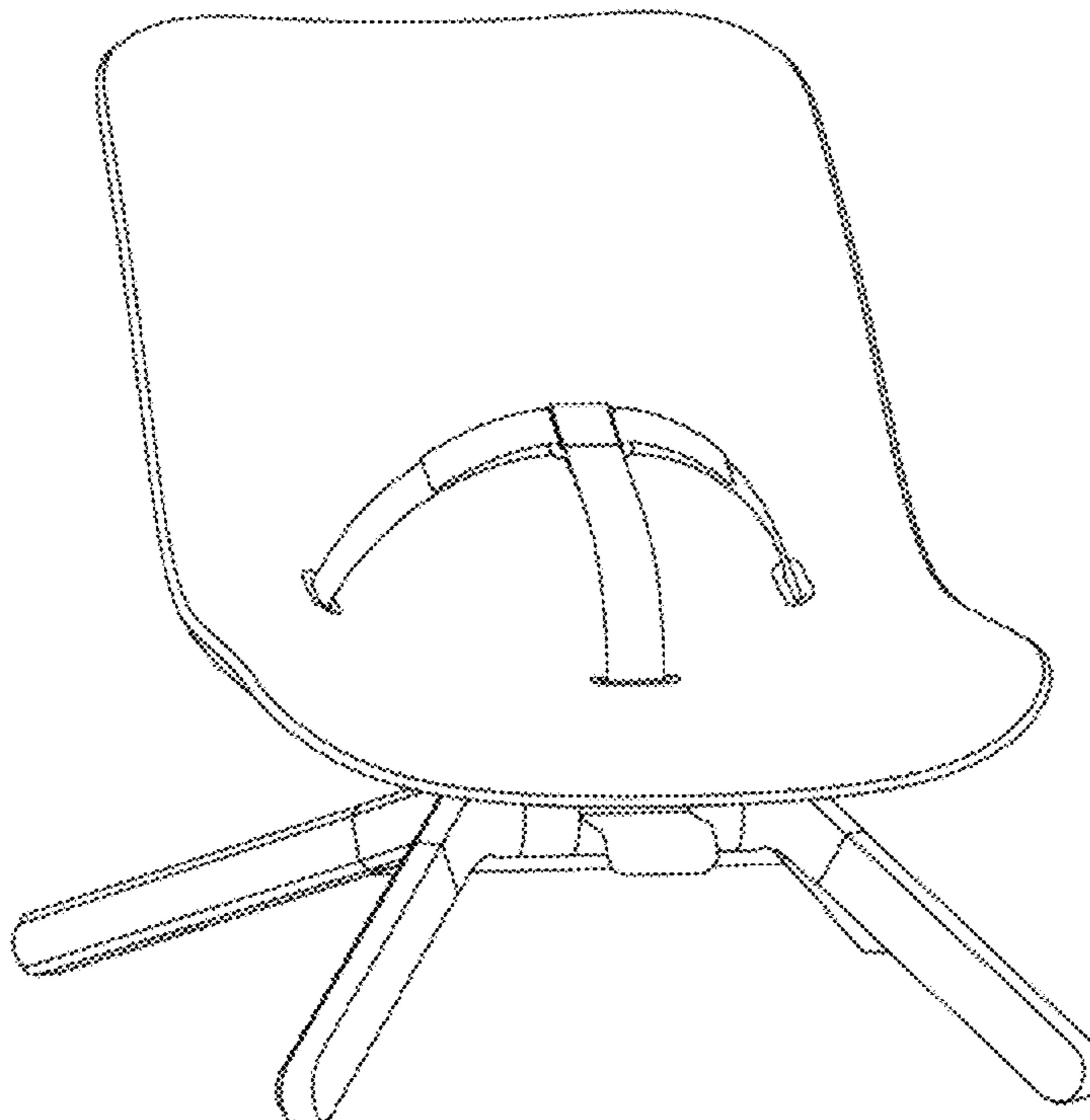
USPC D6/333, 334, 339, 344, 348, 366, 374,
D6/375

CPC A47C 1/00; A47C 3/00; A47C 3/02; A47C
3/029; A47C 7/00; A47C 7/0002; A47D
1/08; A47D 15/006

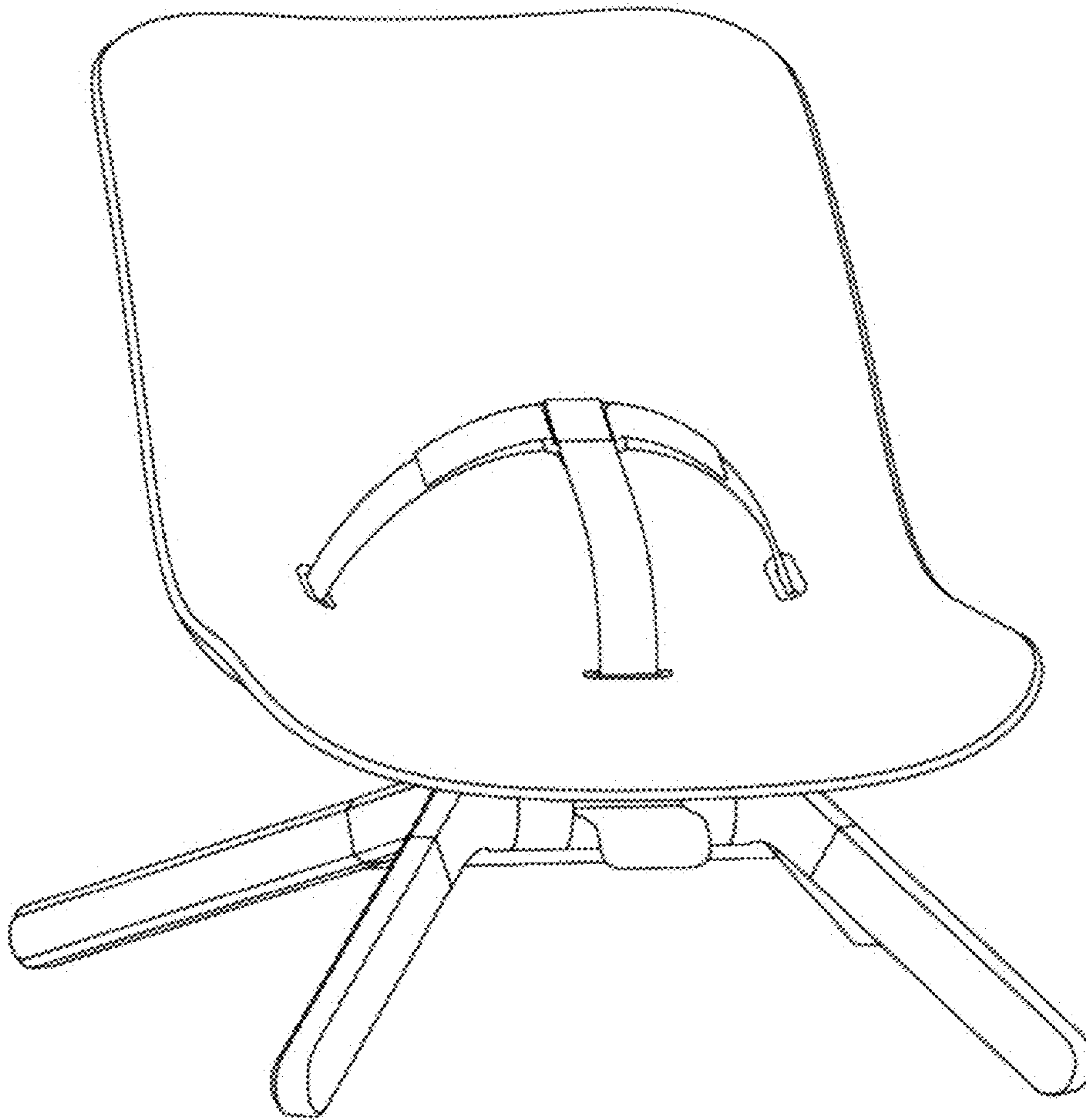
1. Baby bouncer seat
- 1.1 is a perspective view;
- 1.2 is a bottom view;
- 1.3 is a top view;
- 1.4 is a rear view;
- 1.5 is a front view;
- 1.6, is a left side view; and,
- 1.7 is a right side view.

See application file for complete search history.

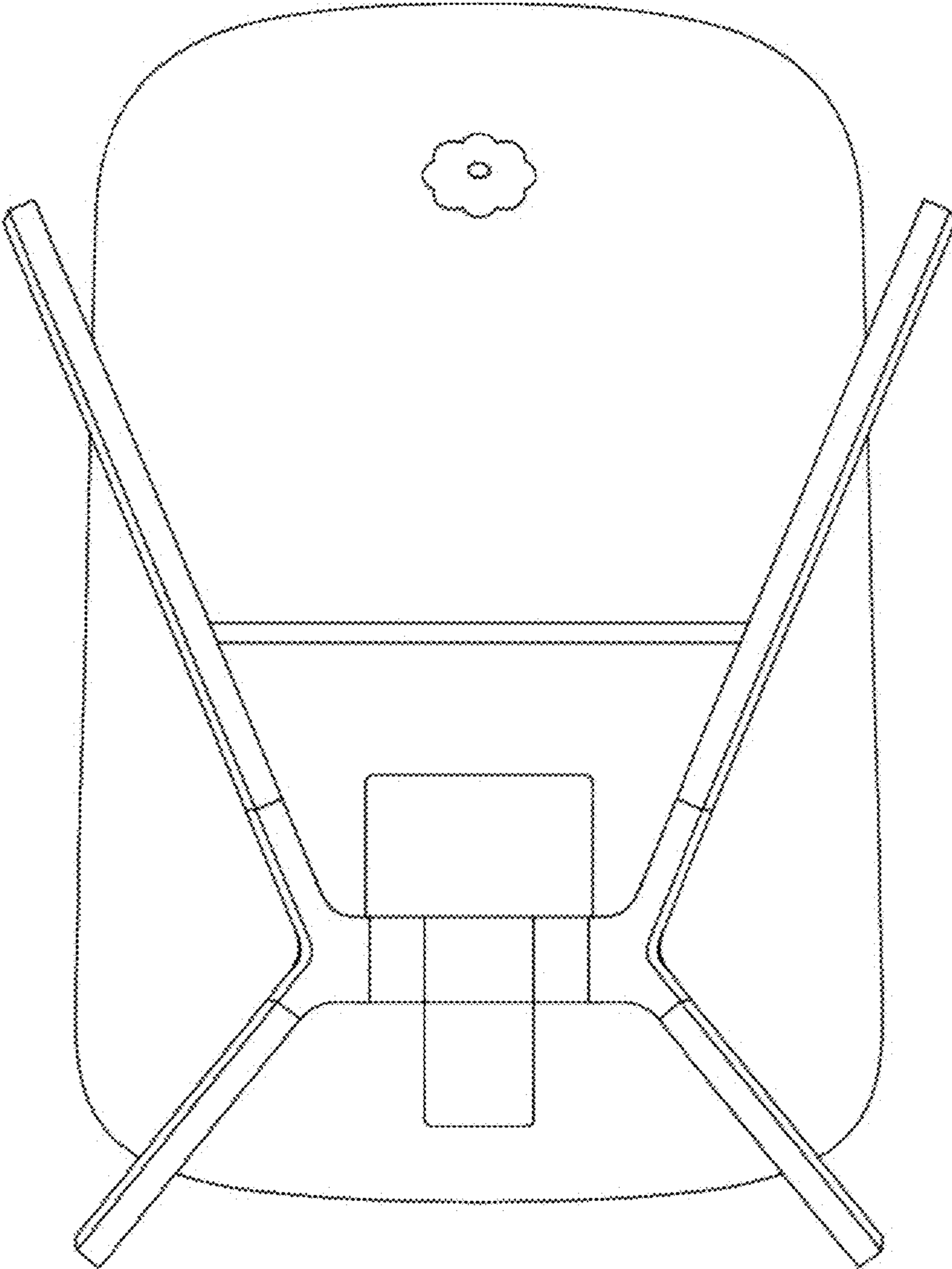
1 Claim, 7 Drawing Sheets



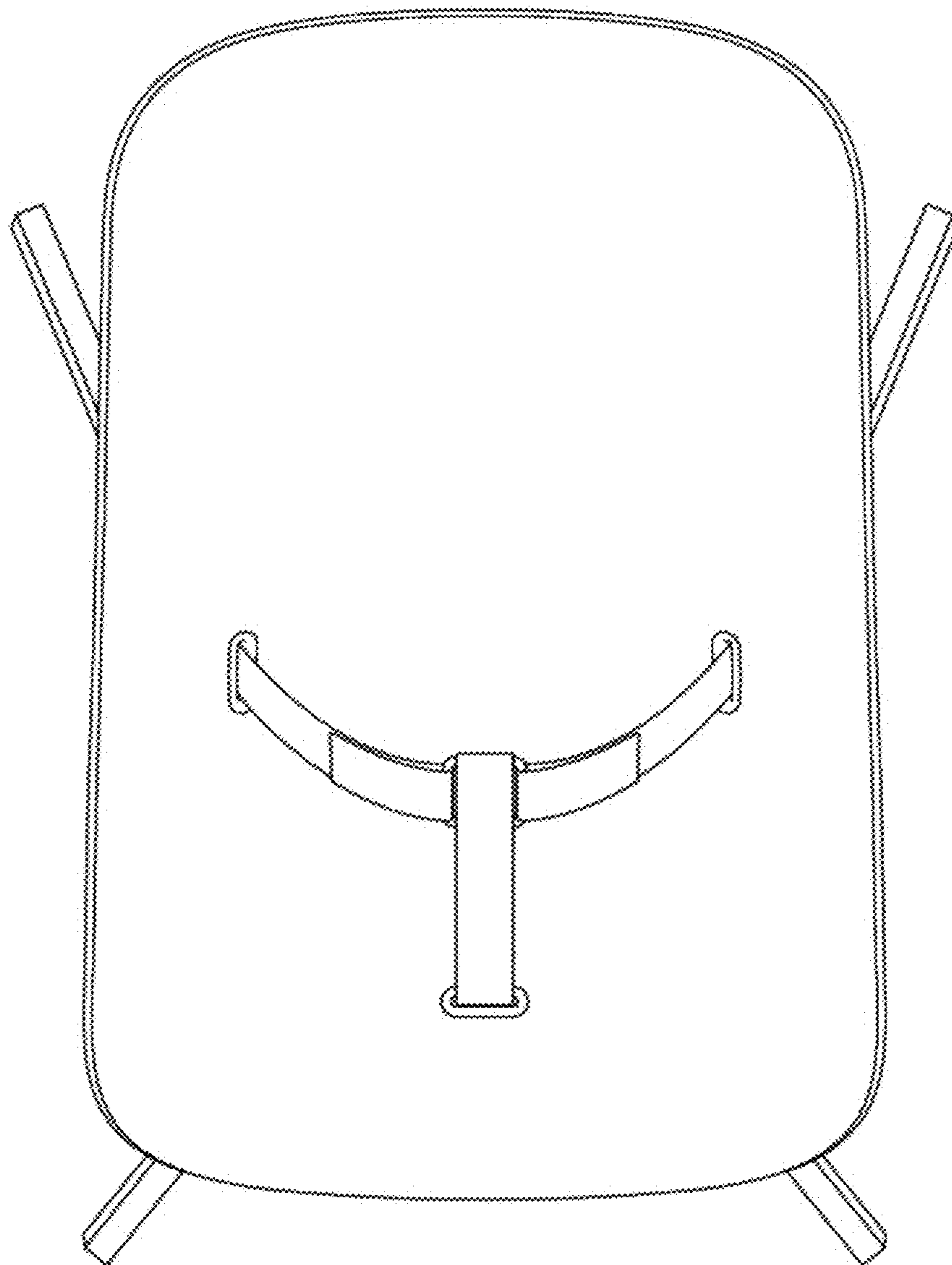
1.1



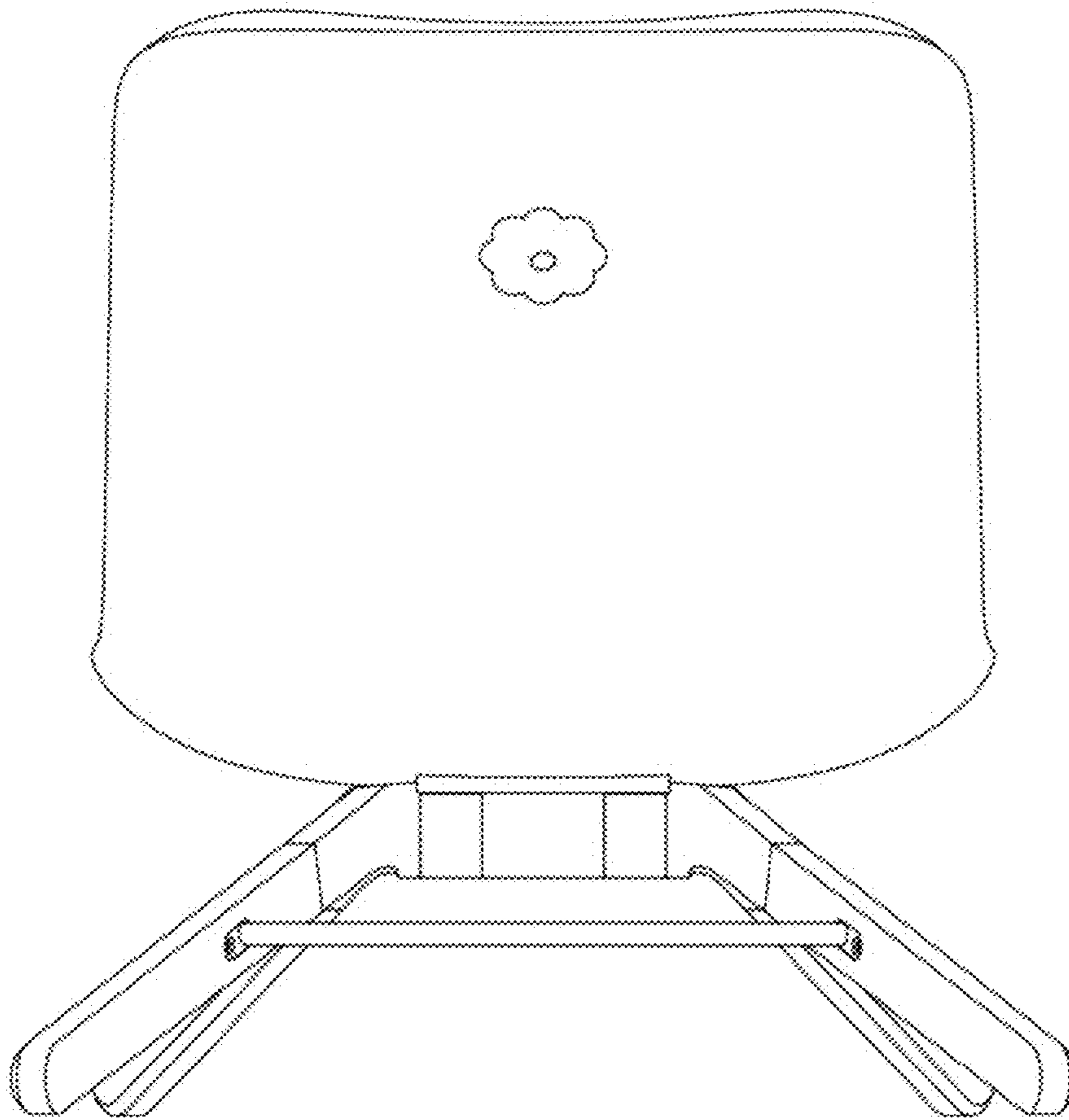
1.2



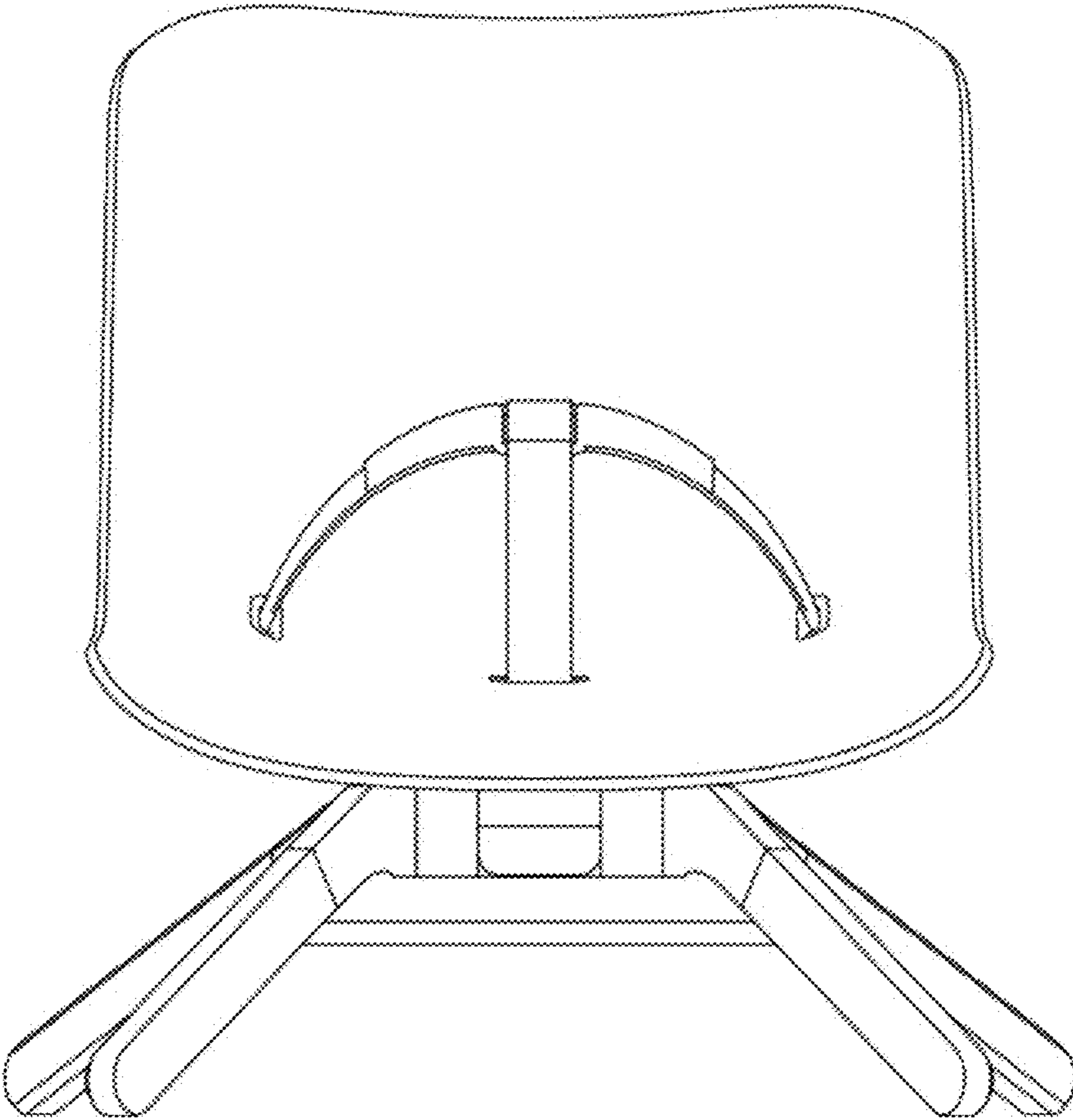
1.3



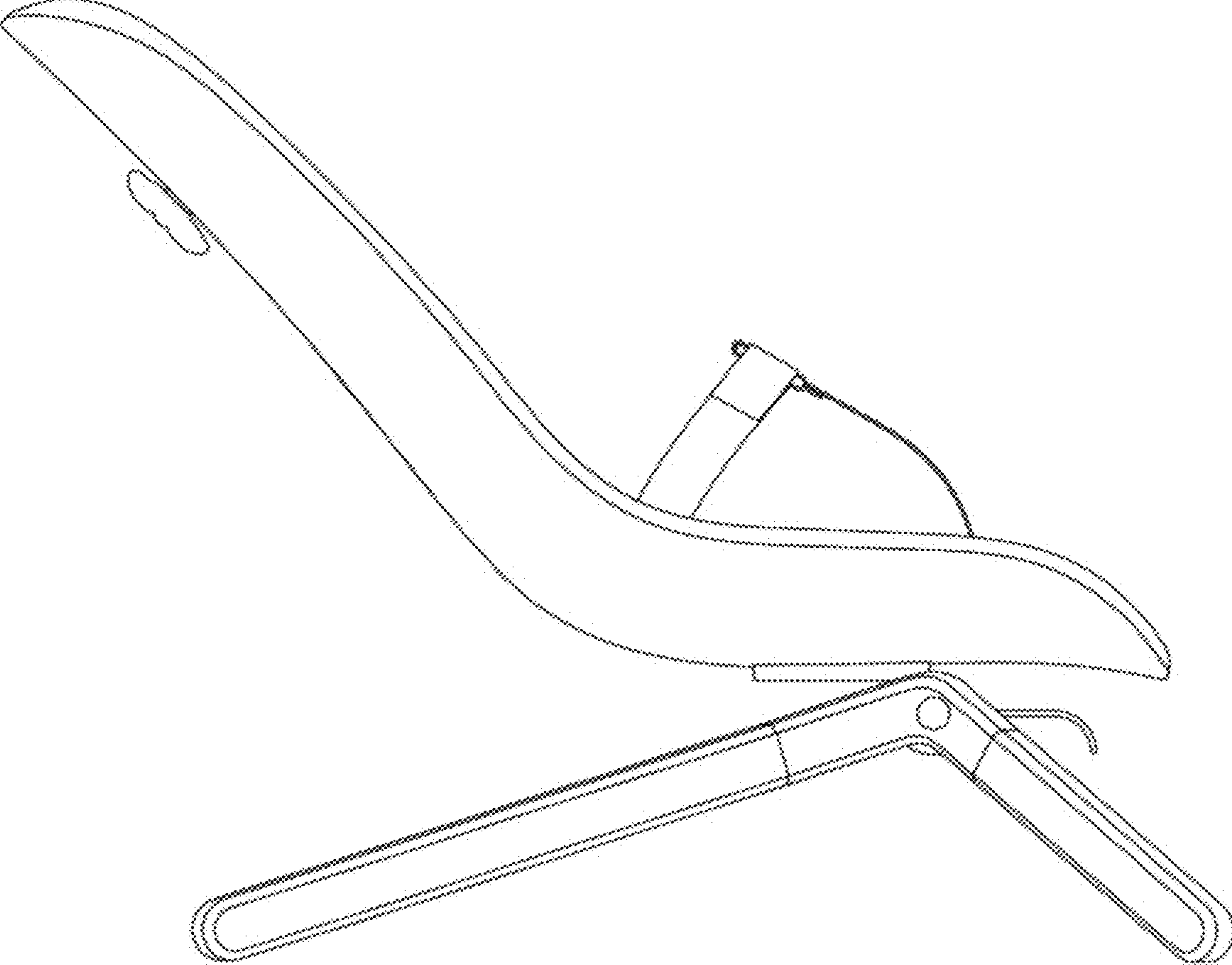
1.4



1.5



1.6



1.7

