

US00D799835S

(12) **United States Design Patent** (10) **Patent No.:** **US D799,835 S**
Okai (45) **Date of Patent:** **** Oct. 17, 2017**

(54) **ORAL CARE IMPLEMENT**

(71) Applicants: **COLGATE-PALMOLIVE COMPANY**, New York, NY (US);
OMRON HEALTHCARE CO., LTD., Kyoto (JP)

(72) Inventor: **Takahide Okai**, Highland Park, NJ (US)

(73) Assignee: **COLGATE-PALMOLIVE COMPANY**, New York, NY (US)

(**) Term: **15 Years**

(21) Appl. No.: **29/547,157**

(22) Filed: **Dec. 1, 2015**

(51) **LOC (10) Cl.** **04-02**

(52) **U.S. Cl.**

USPC **D4/101**

(58) **Field of Classification Search**

USPC D4/100, 104, 116, 119, 121, 127, 129, D4/130, 136, 137, 138, 101, 102, 103, D4/105, 106, 107, 108, 109, 110, 111, D4/112; D5/4, 43, 47, 50, 53; D28/21, D28/33, 58, 59, 18, 30, 48, 64.7, 65, 68; D30/158, 159; D24/121, 136, 152, 176, D24/180, 224

CPC A46B 15/0081; A46B 2200/1026; A46B 3/22; A46B 9/005; A46B 9/026; A46B 9/06; A46B 15/0055; A46B 15/0075; A46B 5/0095; A46B 5/00; A61C 17/16; A61C 17/22; A61C 17/222; A61C 17/32; A61C 17/34; A61C 17/3409; A61C 17/3445; A61C 17/3454; A61C 17/3464; A61C 17/3481

See application file for complete search history.

(56) **References Cited**

U.S. PATENT DOCUMENTS

D278,481 S * 4/1985 Ditgen D4/104
6,766,548 B1 7/2004 Lukas et al.

6,920,659 B2 7/2005 Cacka et al.
D589,256 S * 3/2009 Taylor D4/101
D598,198 S * 8/2009 Crossman D4/101
D599,556 S * 9/2009 Russell D4/104
D611,712 S * 3/2010 Stoerkel D4/104
D632,894 S 2/2011 Shigeno et al.
D637,003 S * 5/2011 Moskovich D4/108
D644,439 S 9/2011 Shigeno et al.

(Continued)

FOREIGN PATENT DOCUMENTS

JP 2009125080 6/2009
WO WO2015164486 10/2015

OTHER PUBLICATIONS

Colgate® 360°® Total® Advanced Floss-Tip† Bristles Toothbrush, <http://www.colgatetotal.com/toothbrushes/360-floss-tip>, date unknown but downloaded from the Internet prior to the date of the subject application, 3 pp.

Primary Examiner — Thomas Johannes
Assistant Examiner — Katrina Gonzalez

(57) **CLAIM**

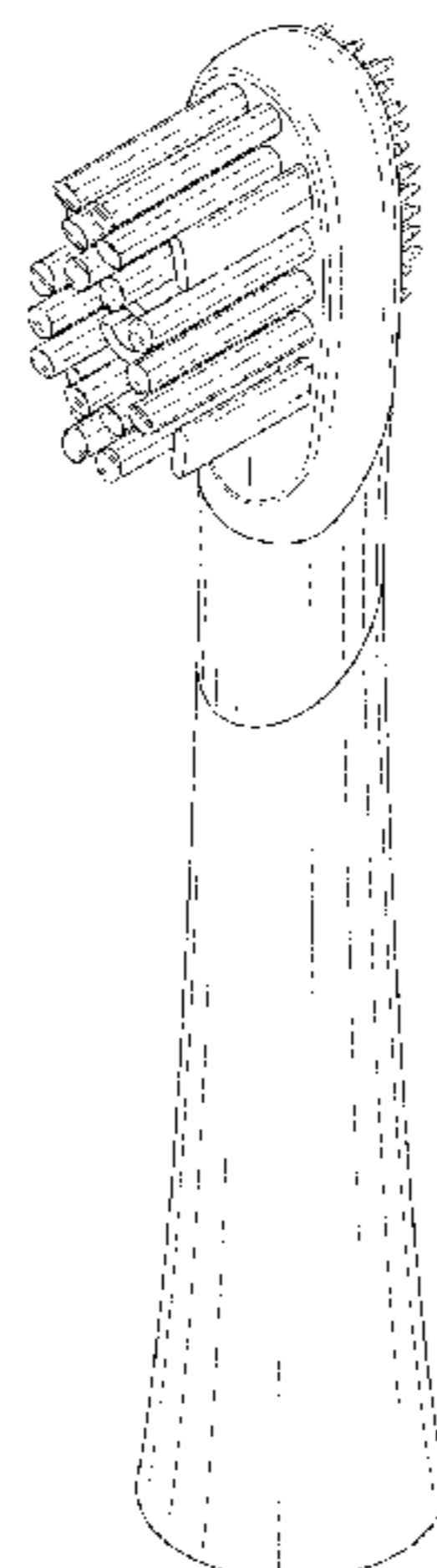
The ornamental design for an oral care implement, as shown and described.

DESCRIPTION

FIG. 1 is a front right perspective view of an oral care implement according to the new design;
FIG. 2 is a rear left perspective view thereof;
FIG. 3 is a front view thereof;
FIG. 4 is a rear view thereof;
FIG. 5 is a right side view thereof;
FIG. 6 is a left side view thereof;
FIG. 7 is a top view thereof; and,
FIG. 8 is a bottom view thereof.

The broken lines represents parts of the article that form no part of the claimed design.

1 Claim, 4 Drawing Sheets



(56)

References Cited

U.S. PATENT DOCUMENTS

| | | | | |
|--------------|------|---------|------------------|----------------------|
| D652,626 | S * | 1/2012 | Gebski | D4/101 |
| D653,035 | S * | 1/2012 | Gebski | D4/101 |
| D657,565 | S * | 4/2012 | Gebski | D4/101 |
| D669,687 | S * | 10/2012 | Heil | D4/101 |
| D676,660 | S * | 2/2013 | Crossman | D4/101 |
| D676,661 | S * | 2/2013 | Jimenez | D4/101 |
| 8,453,285 | B2 | 6/2013 | Dickie | |
| D688,045 | S * | 8/2013 | Key | D4/101 |
| D696,029 | S | 12/2013 | Seyler | |
| D702,946 | S | 4/2014 | Shigeno et al. | |
| 8,800,091 | B2 | 8/2014 | Hohlbein | |
| D724,845 | S | 3/2015 | Yoshida et al. | |
| D734,613 | S | 7/2015 | Yoshida et al. | |
| D756,121 | S * | 5/2016 | Gruber | D4/104 |
| D759,383 | S * | 6/2016 | Watkins | D4/101 |
| 2005/0000049 | A1 * | 1/2005 | Hohlbein | A46B 9/026 15/111 |
| 2012/0266397 | A1 | 10/2012 | Iwahori | |
| 2013/0198980 | A1 | 8/2013 | Iwahori et al. | |
| 2014/0123414 | A1 | 5/2014 | Okazaki | |
| 2014/0366289 | A1 | 12/2014 | Shimoyama et al. | |

* cited by examiner

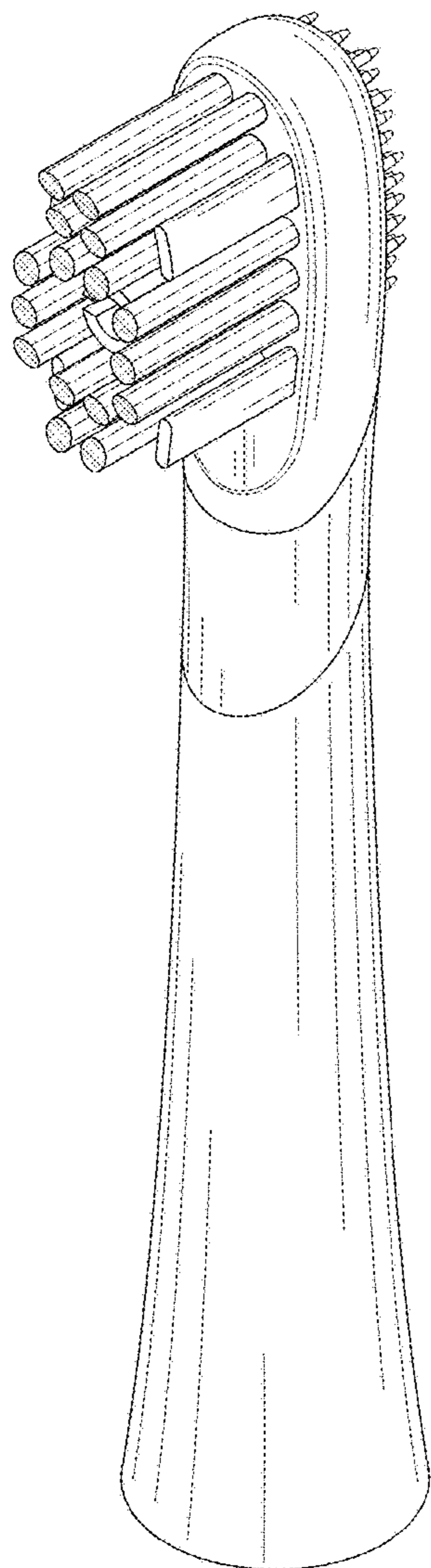


FIG. 1

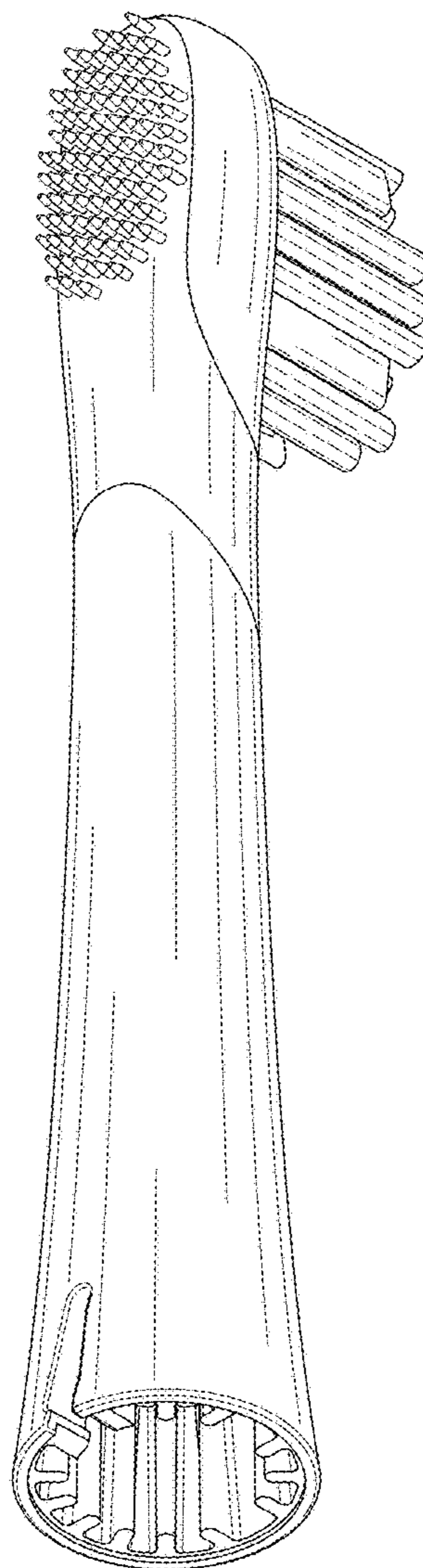


FIG. 2

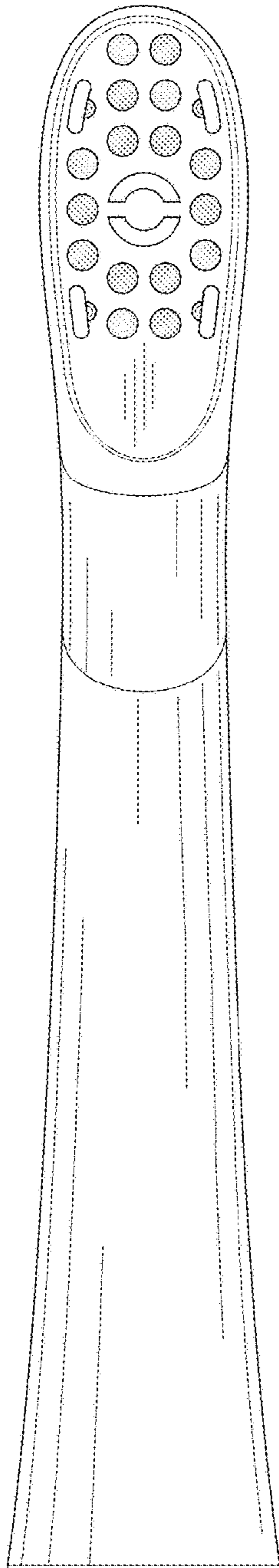


FIG. 3

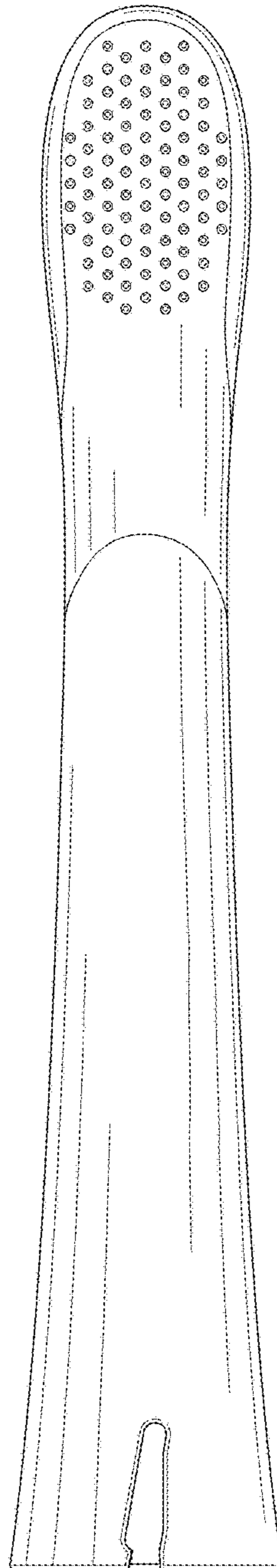


FIG. 4

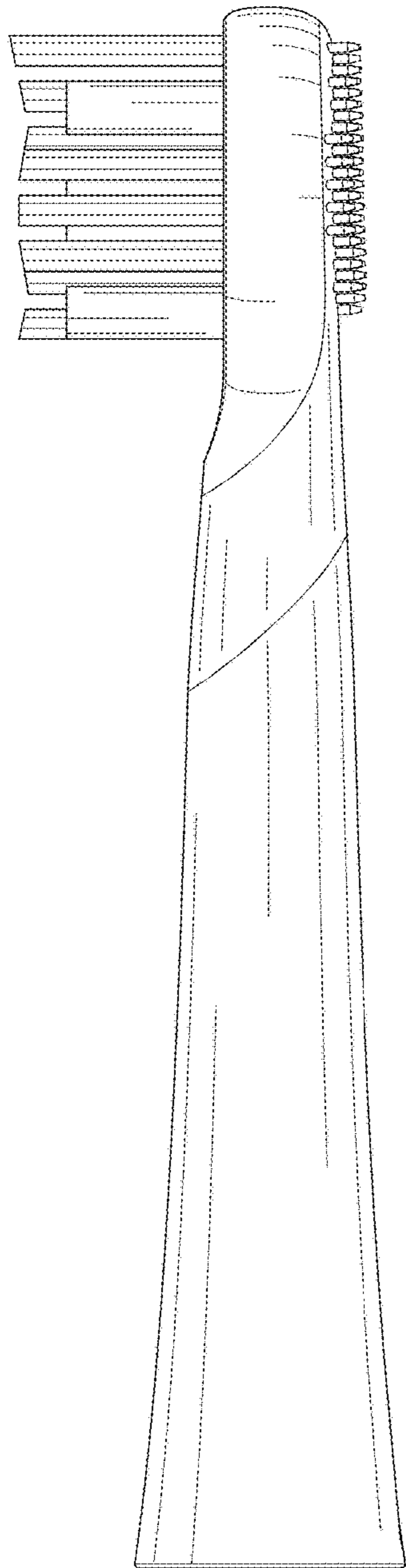


FIG. 5

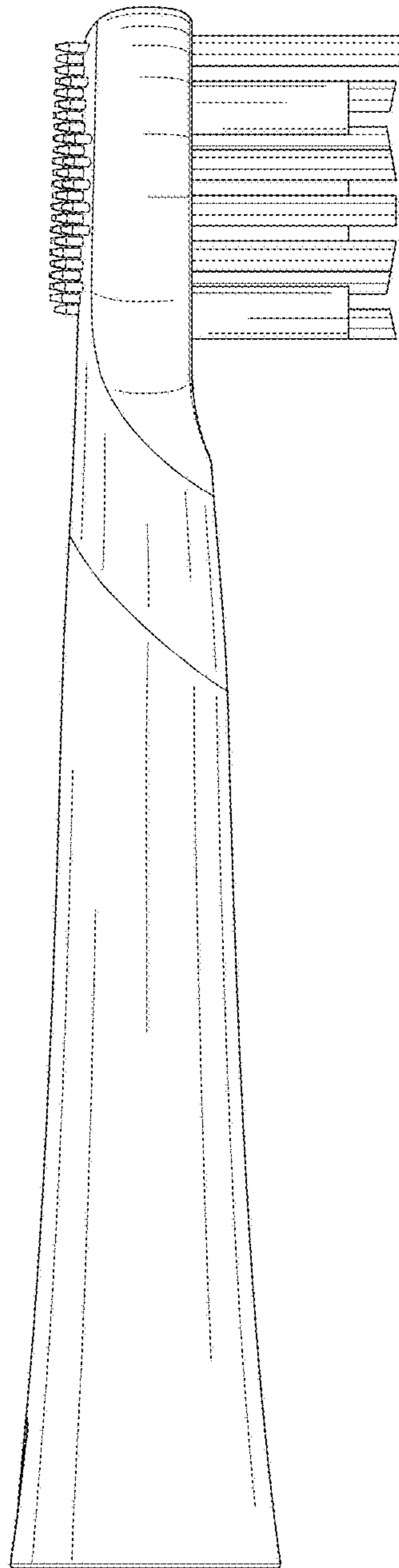


FIG. 6

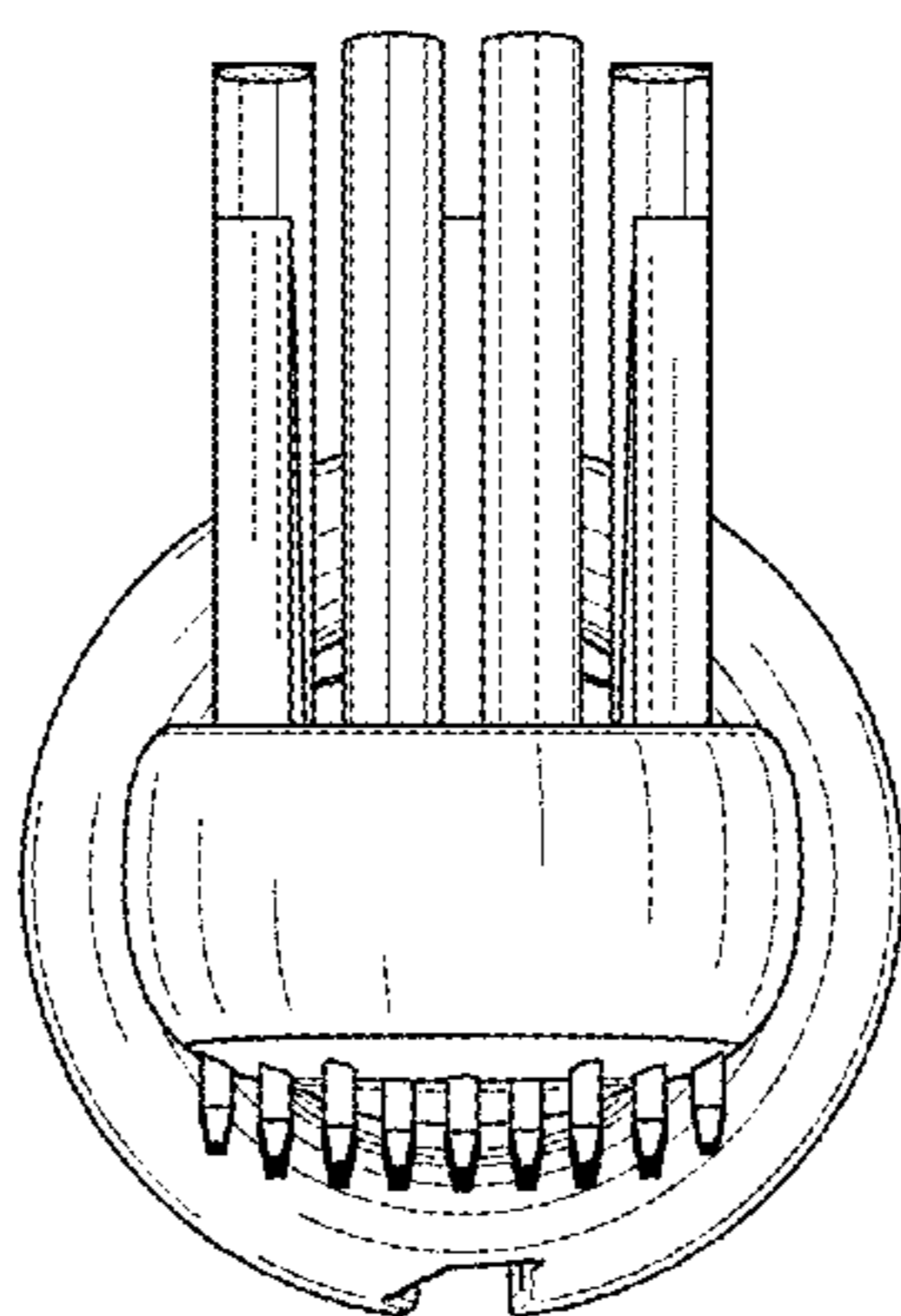


FIG. 7

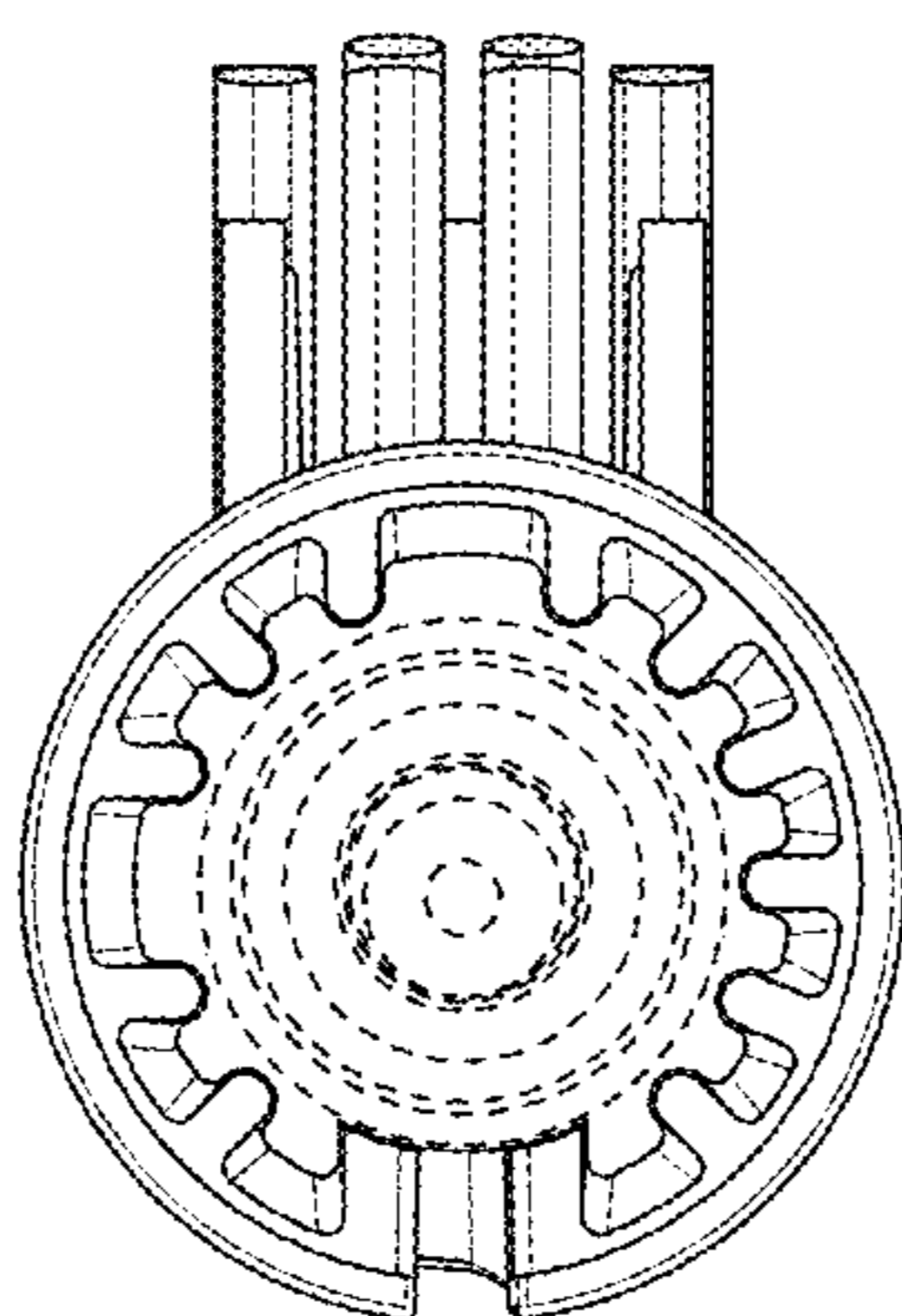


FIG. 8