



US00D799833S

(12) **United States Design Patent**  
**Jackson**

(10) **Patent No.:** **US D799,833 S**

(45) **Date of Patent:** **\*\* Oct. 17, 2017**

(54) **TABLETOP BAG HANGER**

(71) Applicant: **Ruben Lee Jackson**, Atlanta, GA (US)

(72) Inventor: **Ruben Lee Jackson**, Atlanta, GA (US)

(\*\*) Term: **15 Years**

(21) Appl. No.: **29/545,085**

(22) Filed: **Nov. 10, 2015**

(51) **LOC (10) Cl.** ..... **03-01**

(52) **U.S. Cl.**  
USPC ..... **D3/328**

(58) **Field of Classification Search**  
USPC ..... D3/328  
CPC ..... A47G 25/06  
See application file for complete search history.

(56) **References Cited**

**U.S. PATENT DOCUMENTS**

D384,505 S *	10/1997	Stewart	.....	D3/328
D435,733 S *	1/2001	Osterholt	.....	D3/328
D456,280 S *	4/2002	Osterholt	.....	D10/31
D465,653 S *	11/2002	Fuschillo	.....	D3/328

D514,319 S *	2/2006	King	.....	D3/328
D517,732 S *	3/2006	Osterholt	.....	D28/77
7,322,554 B2 *	1/2008	Caroselli	.....	A47G 29/083 223/120
D596,859 S *	7/2009	Castaline	.....	D3/328
D644,438 S *	9/2011	Brucker	.....	D3/328

\* cited by examiner

*Primary Examiner* — Holly H Baynham

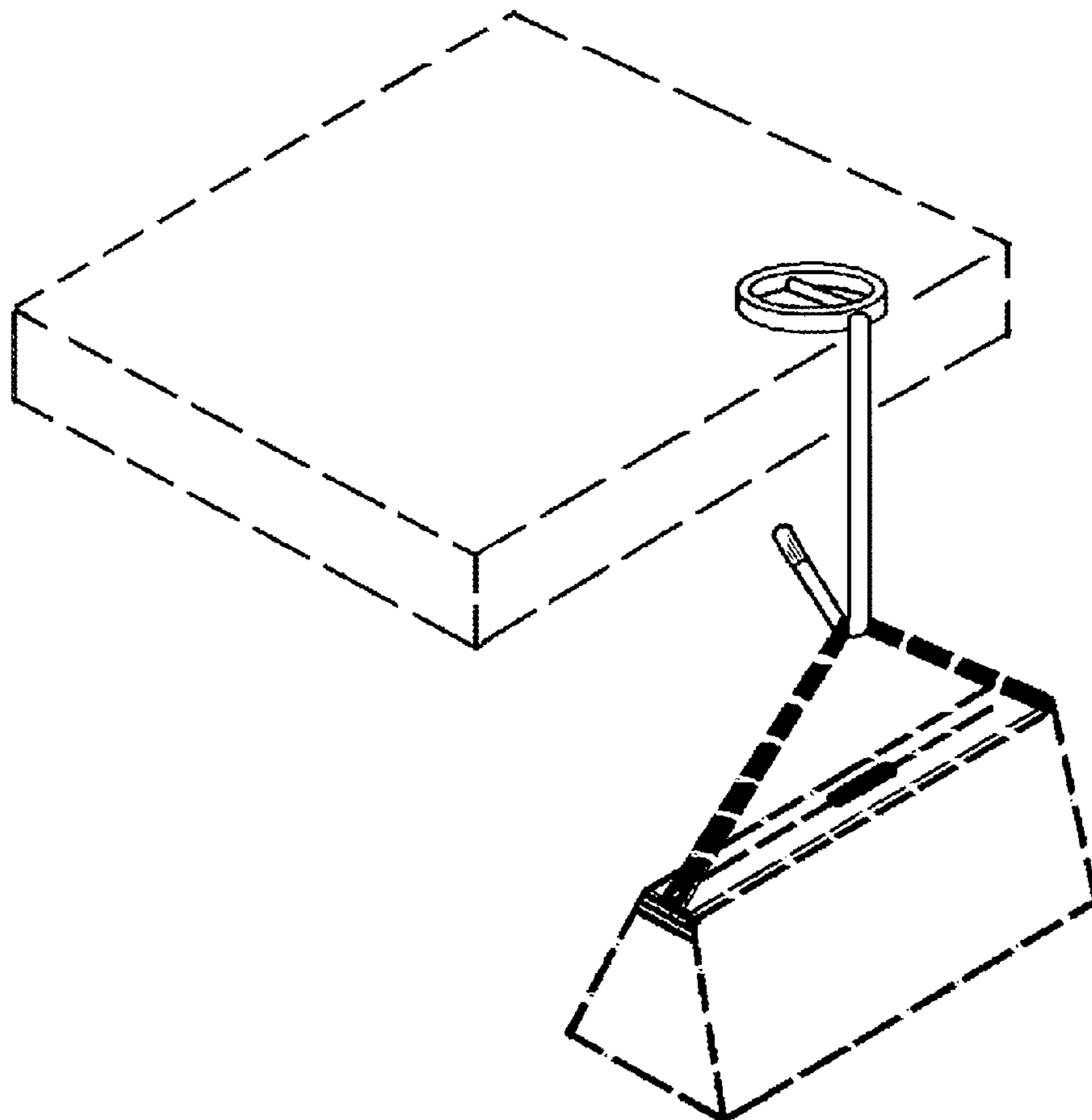
(57) **CLAIM**

The ornamental design for this tabletop bag hanger, as shown.

**DESCRIPTION**

FIG. 1 is a pictorial view of a tabletop bag hanger showing my new design;  
FIG. 2 is a top view thereof  
FIG. 3 is a front view thereof; and,  
FIG. 4 is a side view thereof.  
The broken lines showing a portion of a table top and a handbag are for the purposes of illustrating environment and form no part of the claimed design.

**1 Claim, 2 Drawing Sheets**



**FIG. 1**

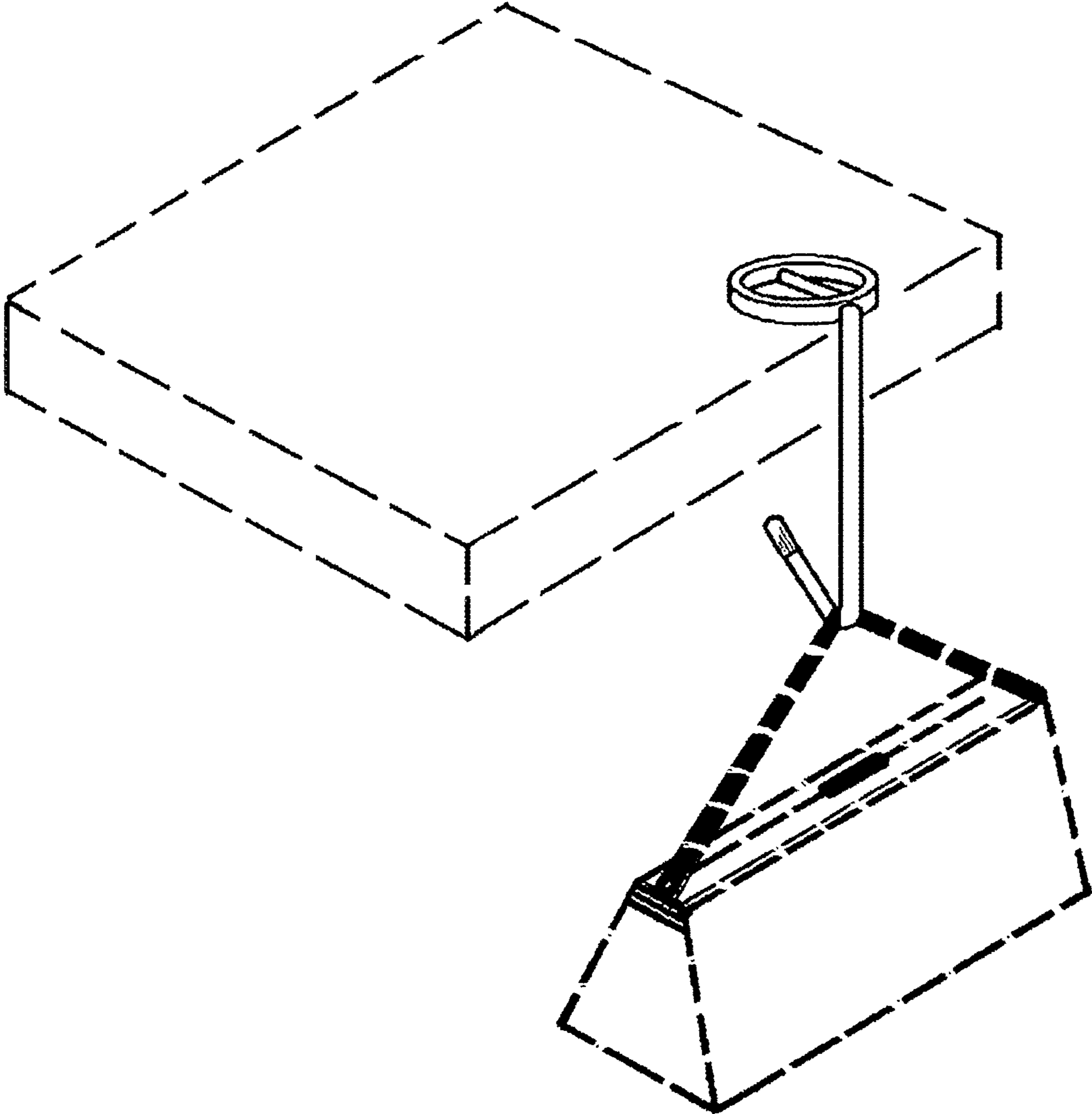


FIG. 2

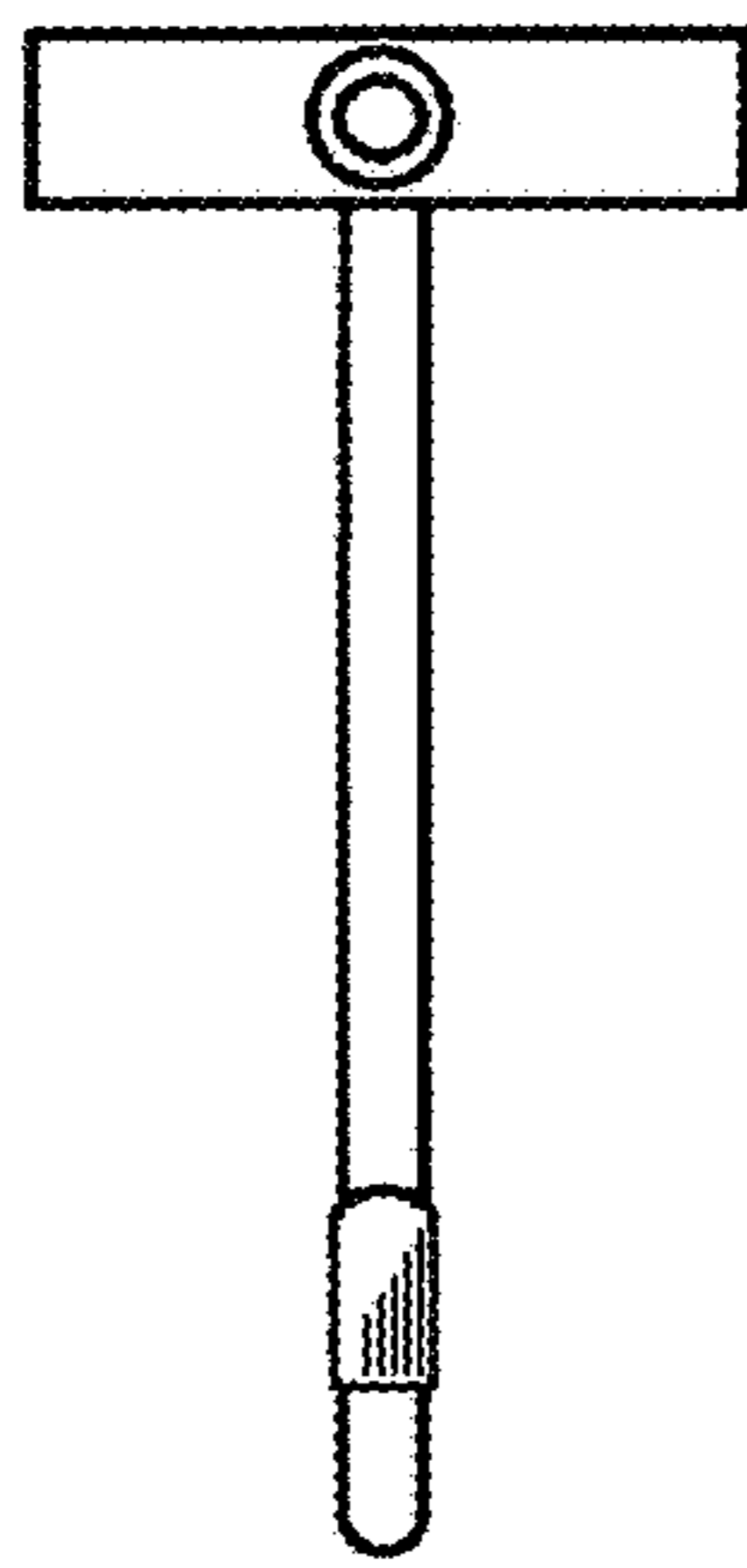
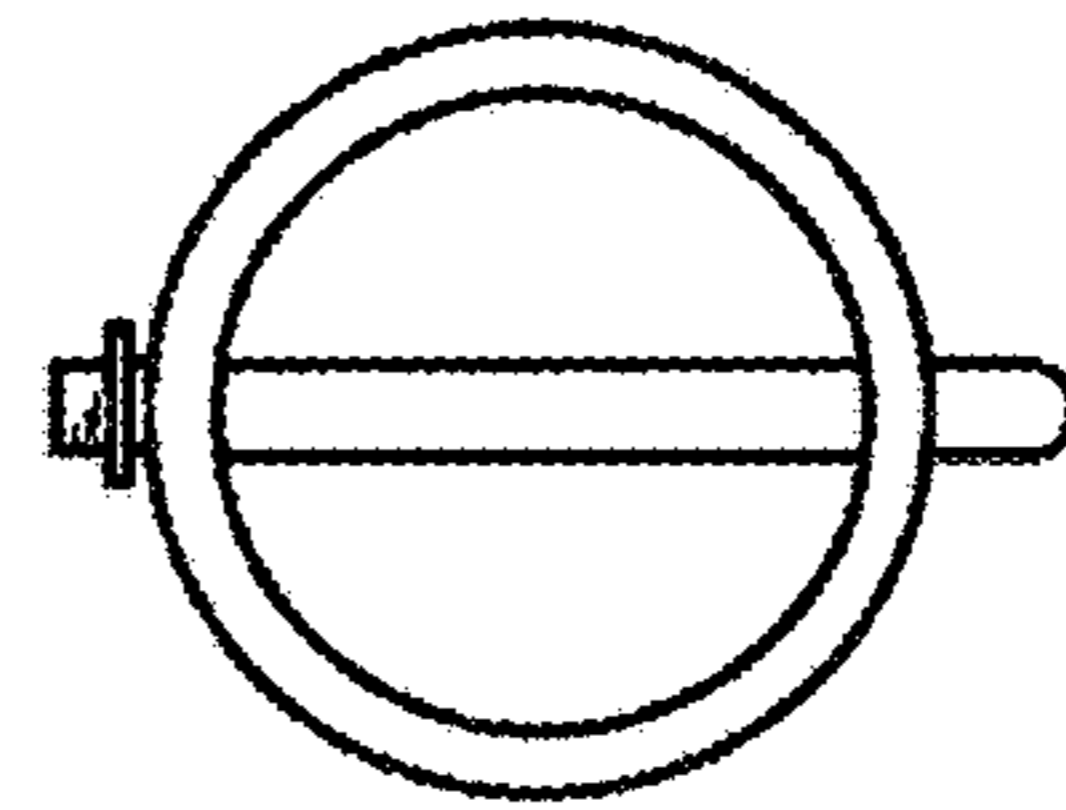


FIG. 3

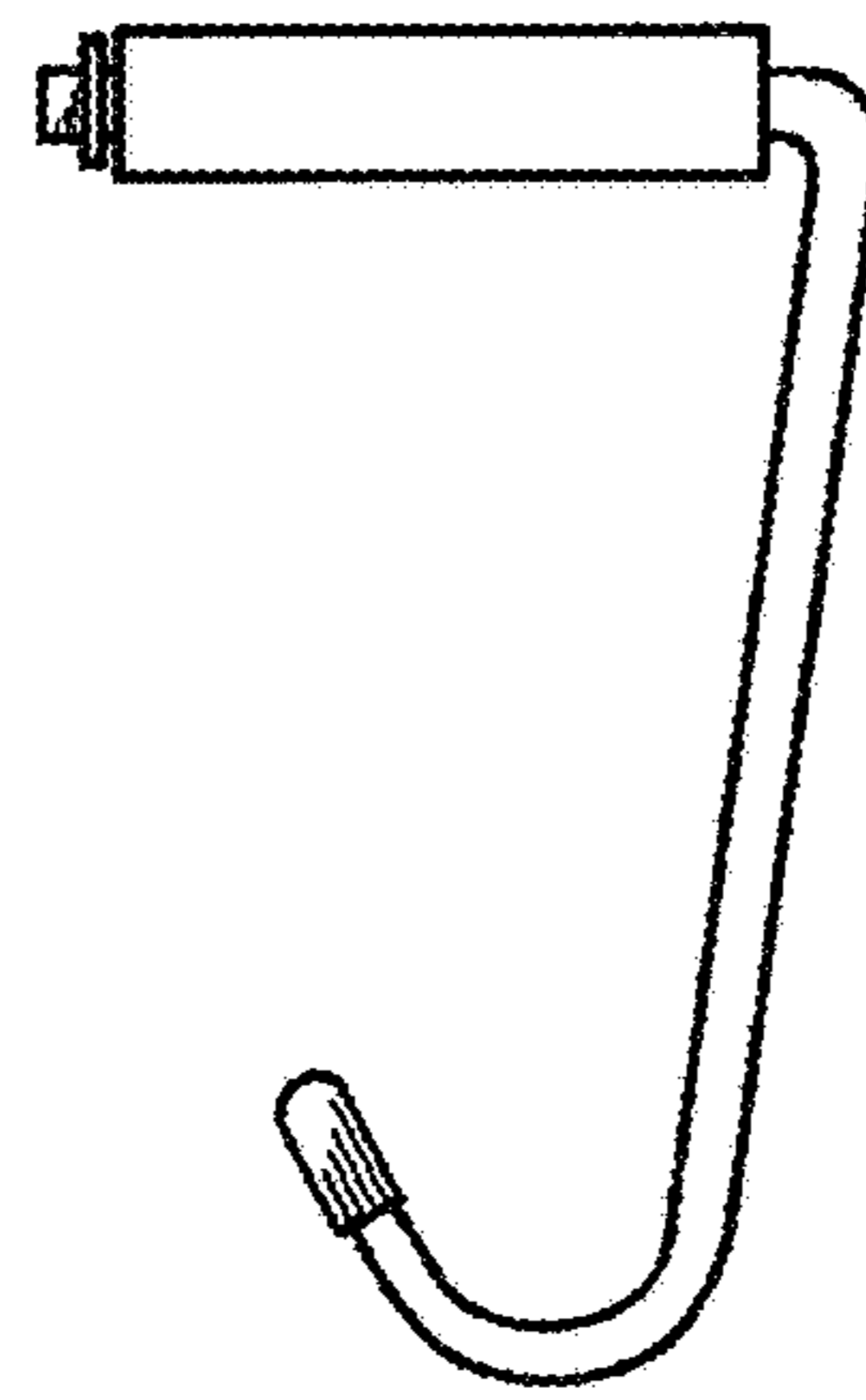


FIG. 4