



US00D799832S

(12) **United States Design Patent**
Tong

(10) **Patent No.:** **US D799,832 S**

(45) **Date of Patent:** **** Oct. 17, 2017**

(54) **HANDLE FOR BACKPACK OR LUGGAGE**

D652,673 S * 1/2012 Cheng D7/394
D677,057 S * 3/2013 Sheikh D3/318
D759,458 S * 6/2016 Tong D8/316

(71) Applicant: **Joy Tong**, Boca Raton, FL (US)

* cited by examiner

(72) Inventor: **Joy Tong**, Boca Raton, FL (US)

Primary Examiner — Holly H Baynham

(**) Term: **15 Years**

(74) *Attorney, Agent, or Firm* — Pai Patent & Trademark Law Firm; Chao-Chang David Pai

(21) Appl. No.: **29/567,029**

(57) **CLAIM**

(22) Filed: **Jun. 3, 2016**

The ornamental design for a handle for backpack or luggage, as shown and described.

(51) **LOC (10) Cl.** **03-01**

(52) **U.S. Cl.**
USPC **D3/318**

DESCRIPTION

(58) **Field of Classification Search**

None
See application file for complete search history.

FIG. 1 is a right side perspective view of a handle for backpack or luggage, showing my new design; FIG. 2 is a front elevational view thereof; FIG. 3 is a rear elevational view thereof; FIG. 4 is a left side elevational view thereof; FIG. 5 is a right side elevational view thereof; FIG. 6 is a top plan view thereof; and, FIG. 7 is a bottom plan view thereof.

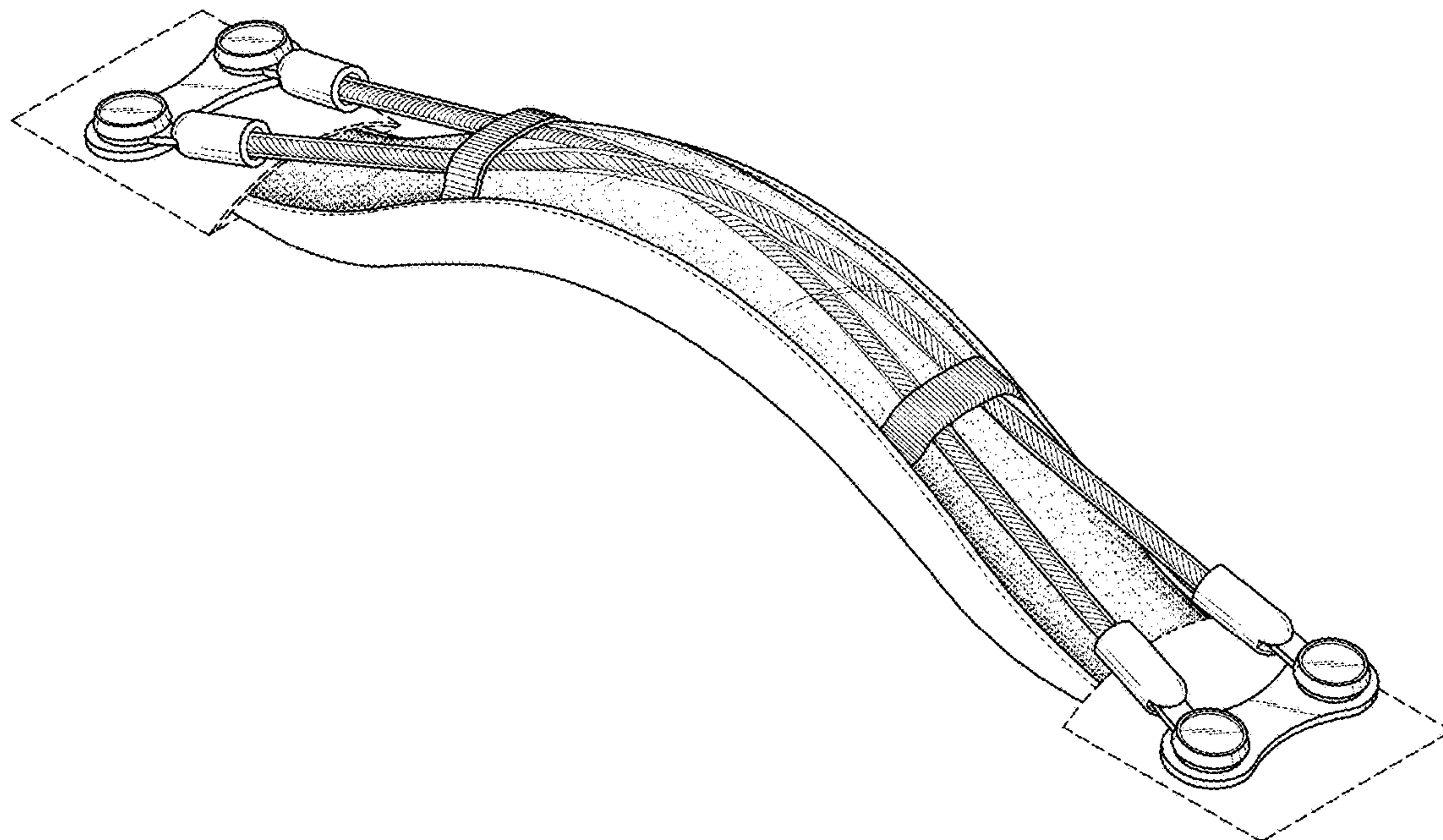
The broken lines shown represent environmental subject matter and form no part of the claimed design.

(56) **References Cited**

U.S. PATENT DOCUMENTS

D253,991 S * 1/1980 Davis D8/306
D301,089 S * 5/1989 Kim D8/306
D302,077 S * 7/1989 Kim D8/317
D461,055 S * 8/2002 Szyf D3/318
D634,543 S * 3/2011 Scicluna D3/318

1 Claim, 4 Drawing Sheets



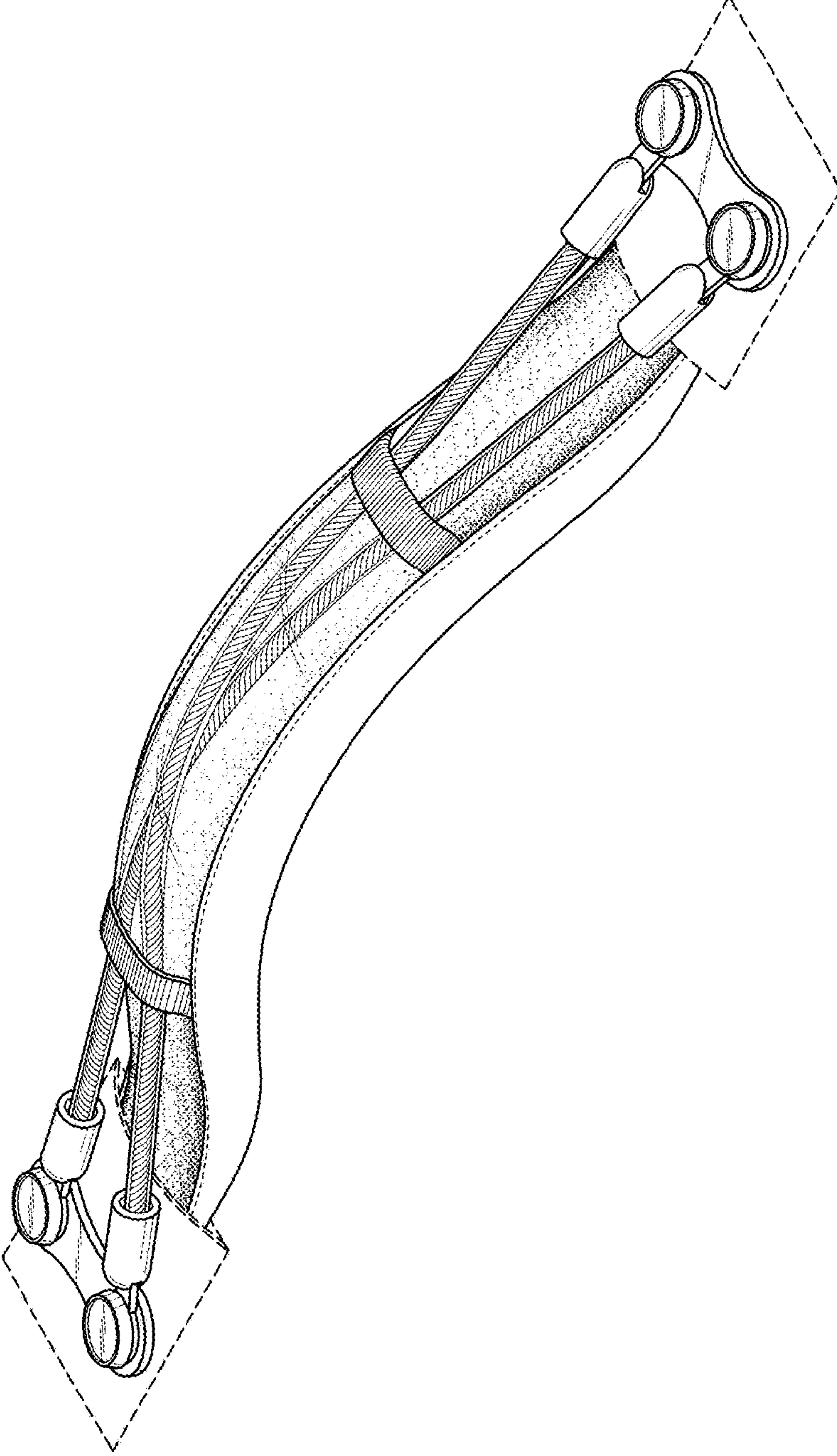


FIG. 1

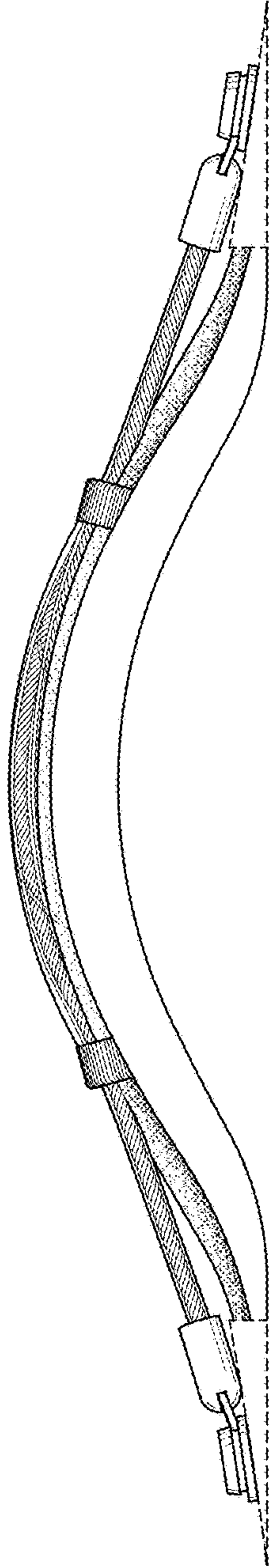


FIG. 2

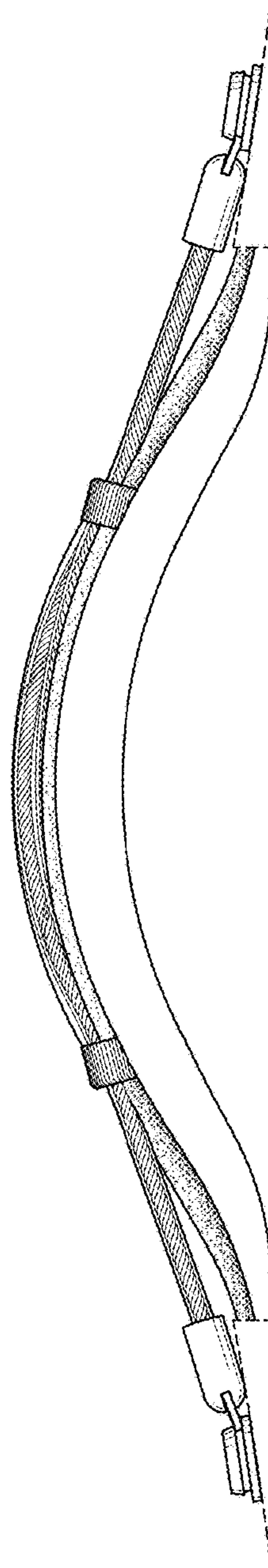


FIG. 3

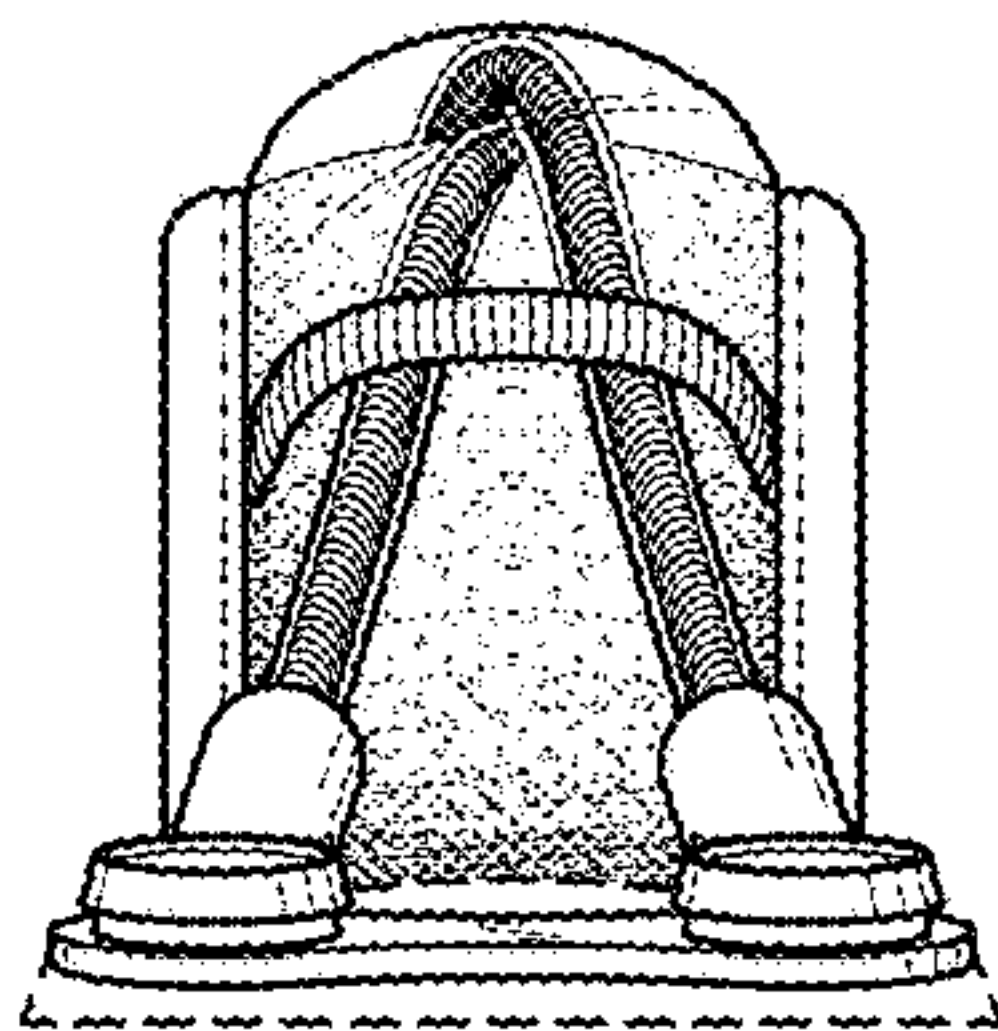


FIG. 4

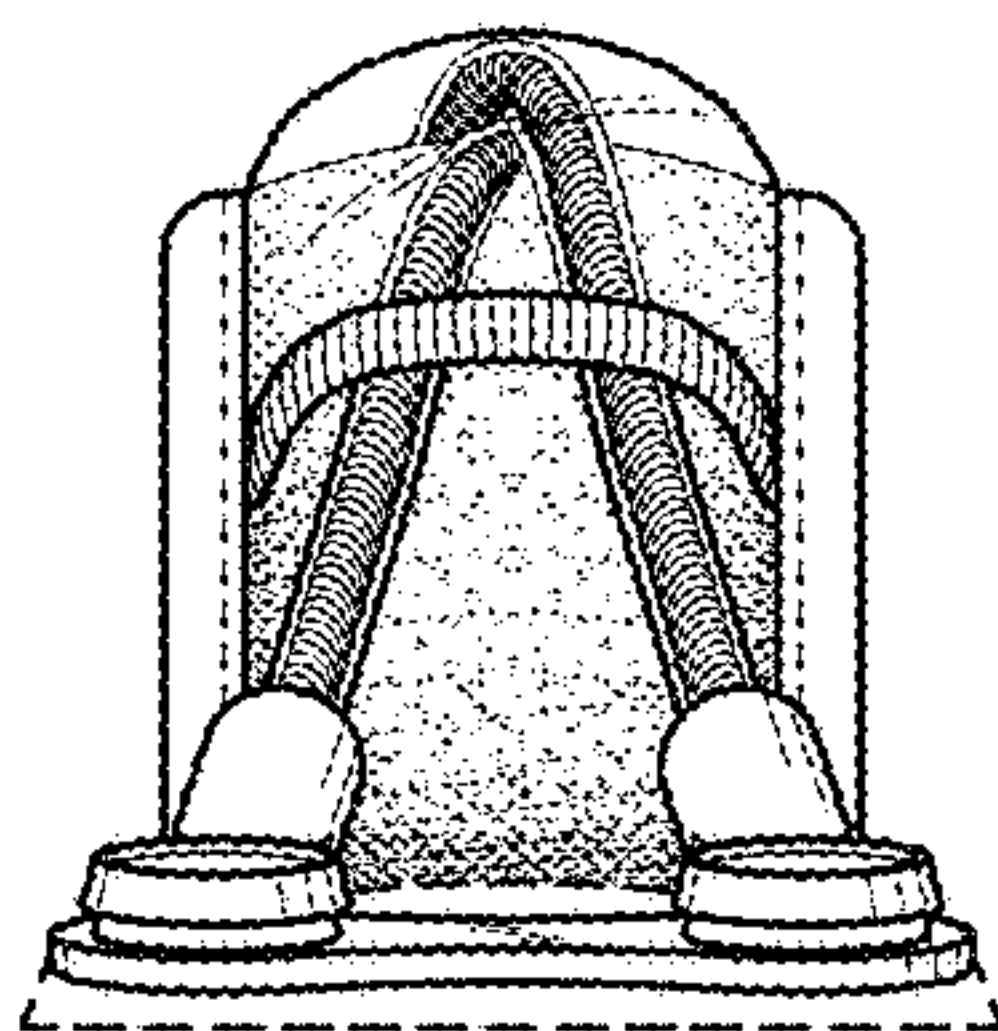


FIG. 5

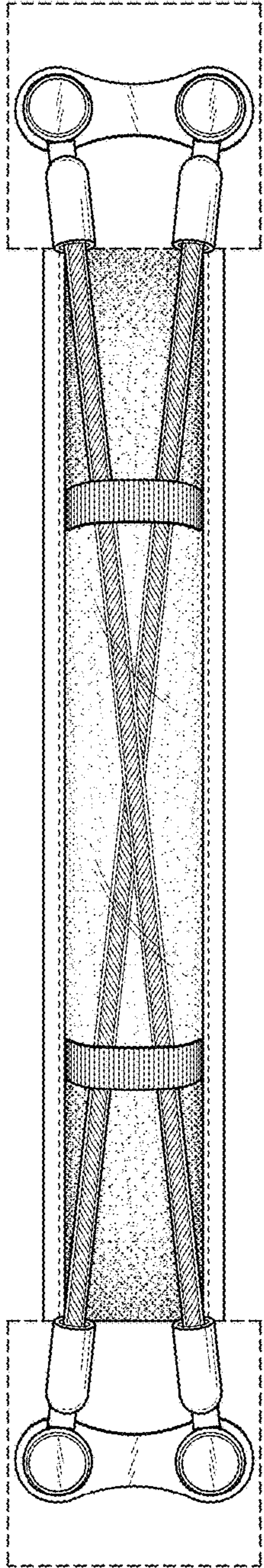


FIG. 6

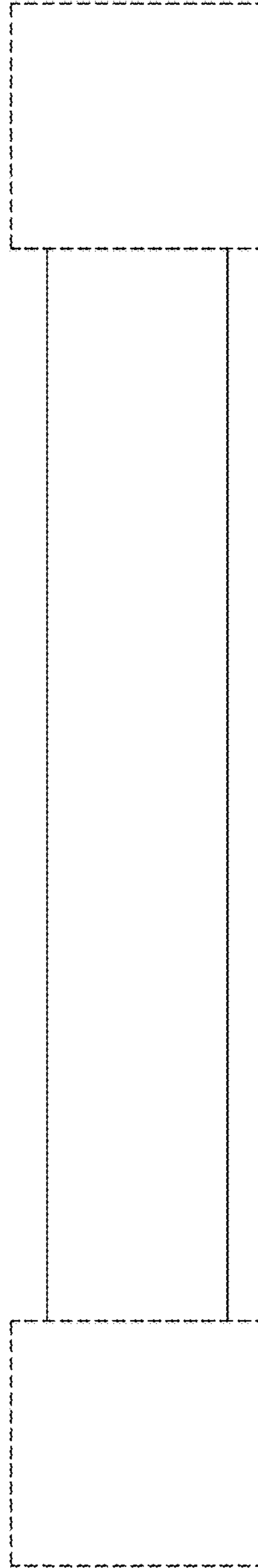


FIG. 7