



US00D799830S

(12) **United States Design Patent**  
**Greenwood**

(10) **Patent No.:** **US D799,830 S**

(45) **Date of Patent:** **\*\* Oct. 17, 2017**

(54) **SQUARE BIN**

(71) Applicant: **YouCopia Products Inc**, Chicago, IL  
(US)

(72) Inventor: **Mark Greenwood**, Arlington Hts., IL  
(US)

(73) Assignee: **YOUCOPIA PRODUCTS INC**,  
Chicago, IL (US)

(\*\*) Term: **15 Years**

(21) Appl. No.: **29/579,759**

(22) Filed: **Oct. 3, 2016**

(51) **LOC (10) Cl.** ..... **03-01**

(52) **U.S. Cl.**  
USPC ..... **D3/312**

(58) **Field of Classification Search**  
USPC ..... D3/304, 317, 318, 309, 312, 314, 315;  
D32/35-37; D7/543, 550.1, 601, 602,  
D7/368, 396.1  
CPC ..... A47G 19/12; A47G 23/06; A47J 47/14;  
B65D 1/22; B65D 1/34; B65D 1/38;  
B65D 21/00

See application file for complete search history.

(56) **References Cited**

U.S. PATENT DOCUMENTS

D220,471 S \* 4/1971 Frahm et al. .... D3/312  
D372,583 S \* 8/1996 Brightbill ..... D3/312  
D380,088 S \* 6/1997 Kolada ..... D3/312  
D401,067 S \* 11/1998 Hampshire ..... D3/306  
D421,335 S \* 3/2000 Linard ..... D3/304  
D504,017 S \* 4/2005 Zimmerman ..... D3/309

D533,327 S \* 12/2006 McCaskill ..... D34/17  
D549,455 S \* 8/2007 Kent ..... D3/304  
D722,946 S \* 2/2015 Armstrong ..... D12/407  
D746,590 S \* 1/2016 Allen ..... D3/304  
D746,760 S \* 1/2016 Arbour ..... D12/407  
D762,066 S \* 7/2016 Allen ..... D3/304  
D766,675 S \* 9/2016 Schlegel ..... D7/601  
D772,640 S \* 11/2016 Affatato ..... D7/354

\* cited by examiner

*Primary Examiner* — Kelley Donnelly

(74) *Attorney, Agent, or Firm* — Lowe Graham Jones  
PLLC

(57) **CLAIM**

I claim the ornamental design for the square bin, as shown  
and described.

**DESCRIPTION**

FIG. 1 is a top perspective view of the square bin, showing  
my new design.

FIG. 2 is a bottom perspective view of the square bin.

FIG. 3 is a front view of the square bin.

FIG. 4 is a right side view of the square bin.

FIG. 5 is a rear view of the square bin.

FIG. 6 is a left side view of the square bin.

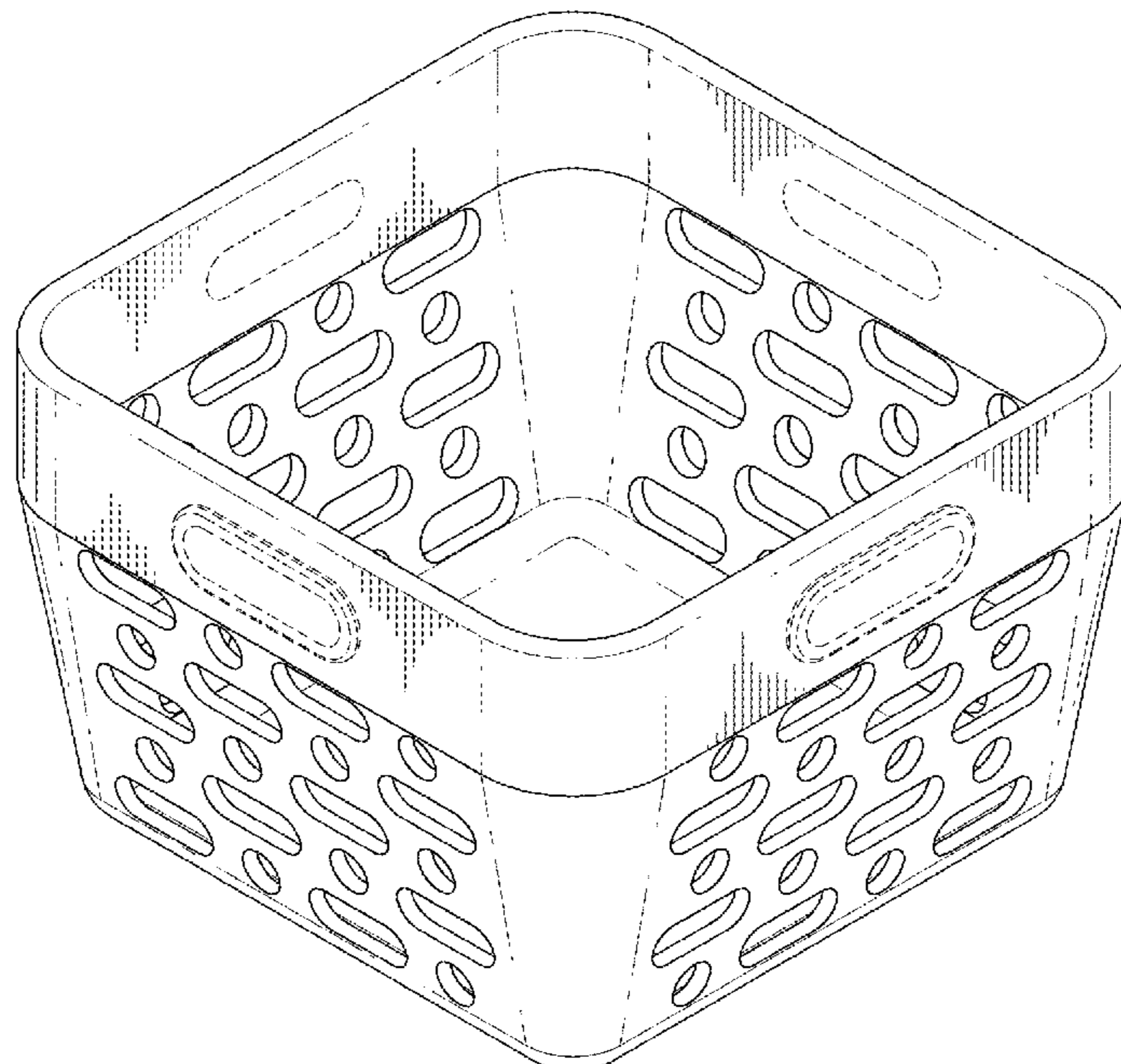
FIG. 7 is a top view of the square bin; and,

FIG. 8 is a bottom view of the square bin.

The broken lines depict portions of the article that form no  
part of the claimed design.

The outer broken line at the bottom of the tray in FIGS. 2  
and 8 represents a boundary such that the interior of the  
rectangular broken line forms no part of the claimed design.

**1 Claim, 8 Drawing Sheets**



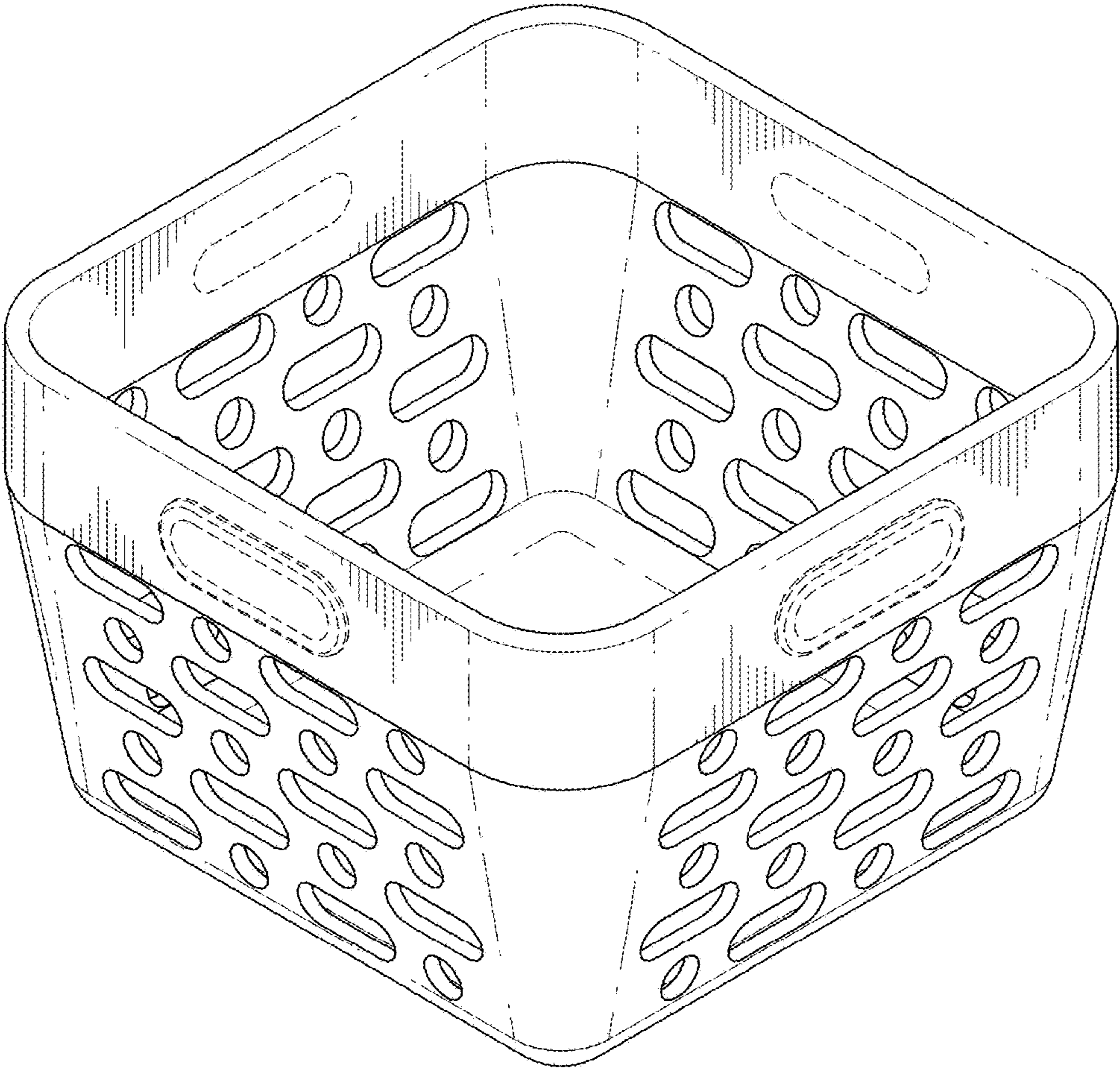


FIG. 1

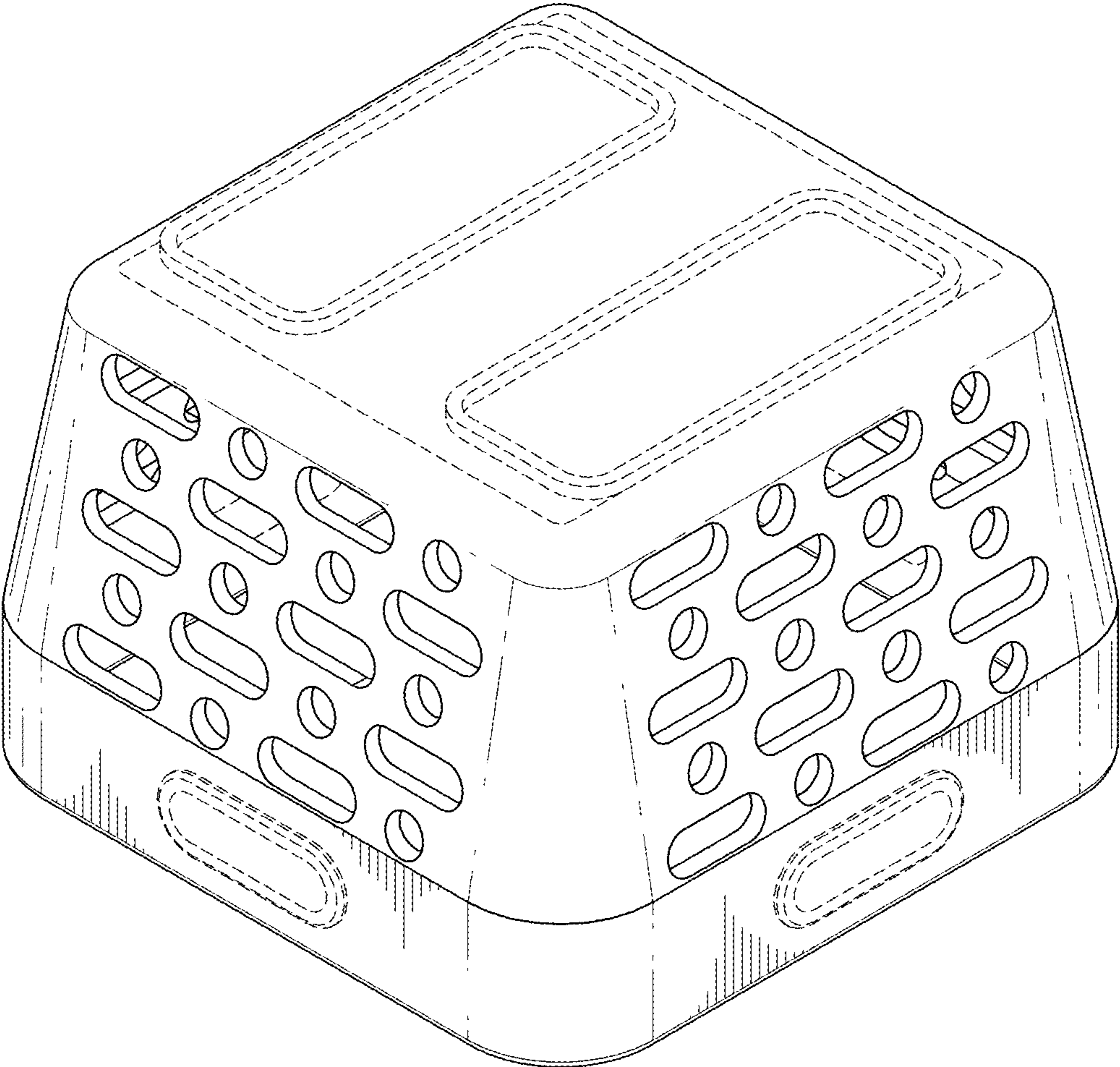


FIG. 2



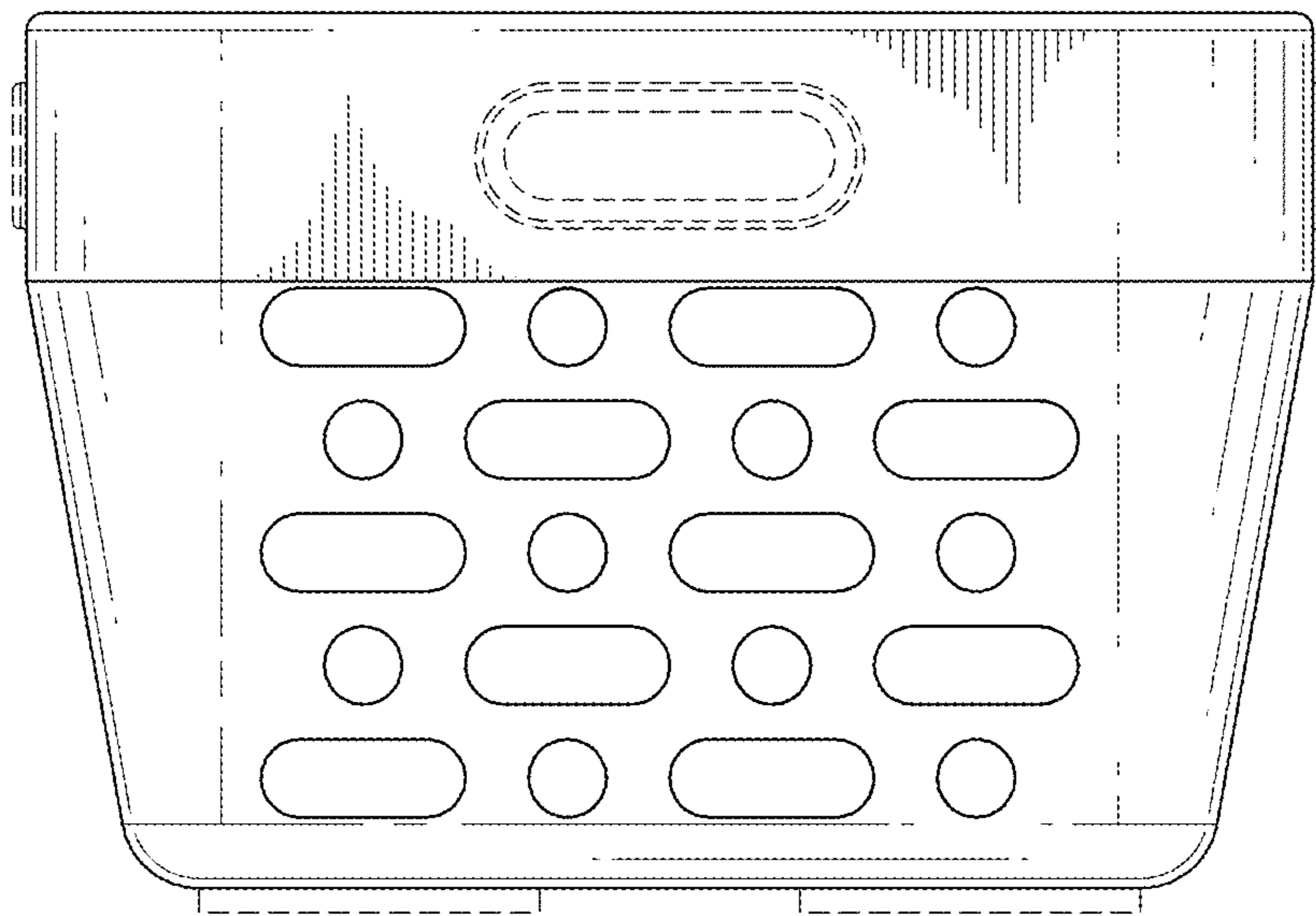


FIG. 3

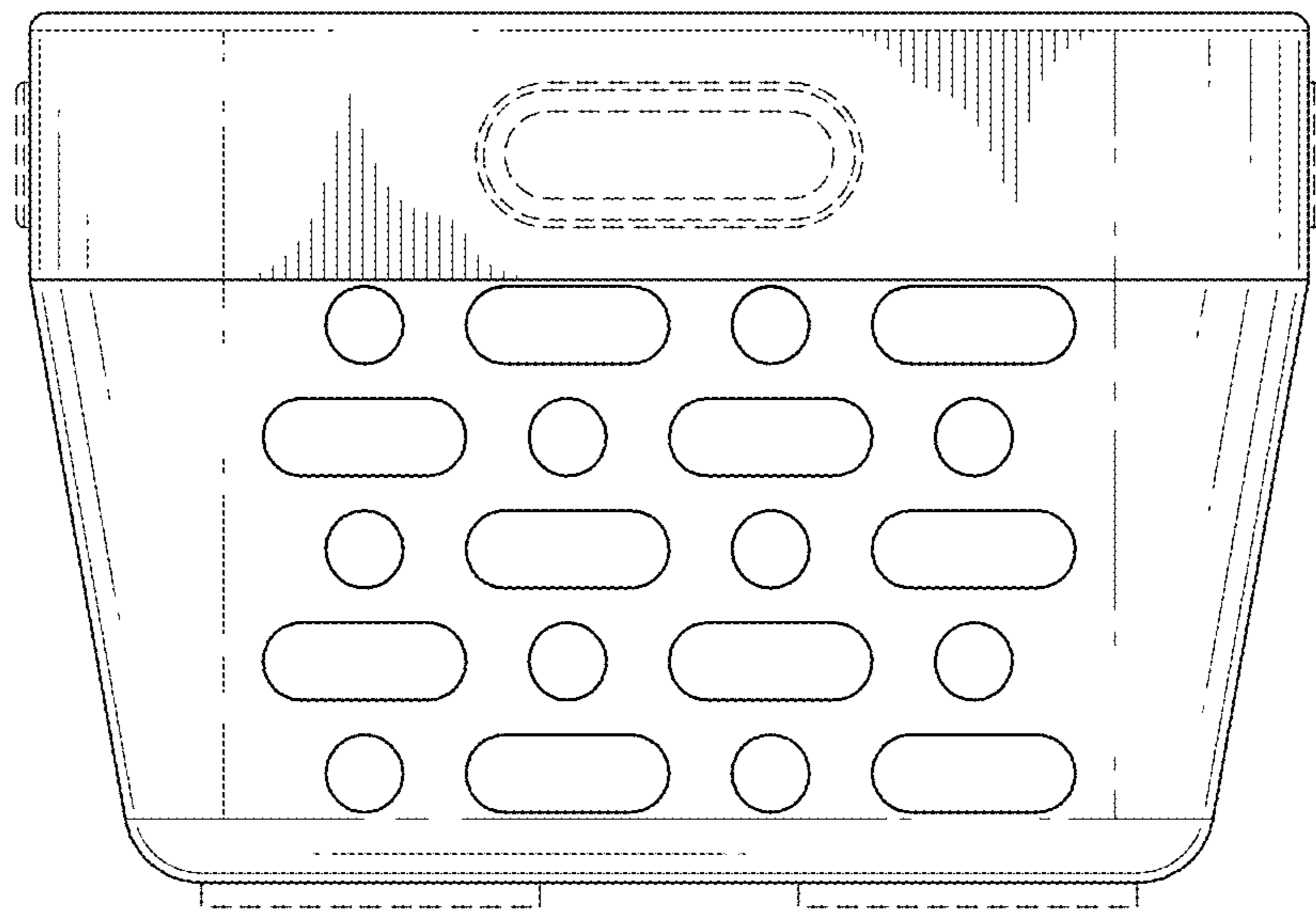


FIG.4

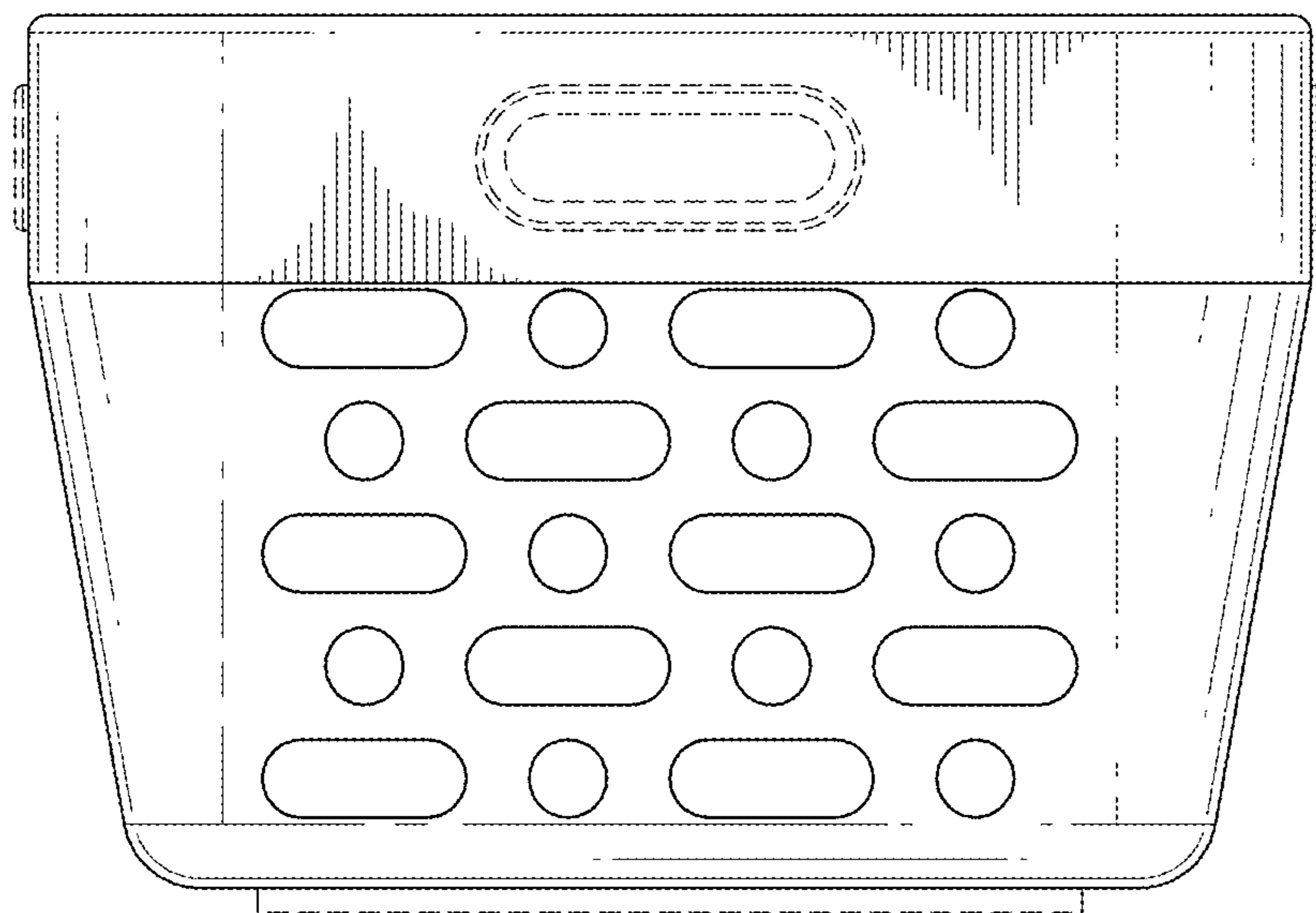


FIG. 5

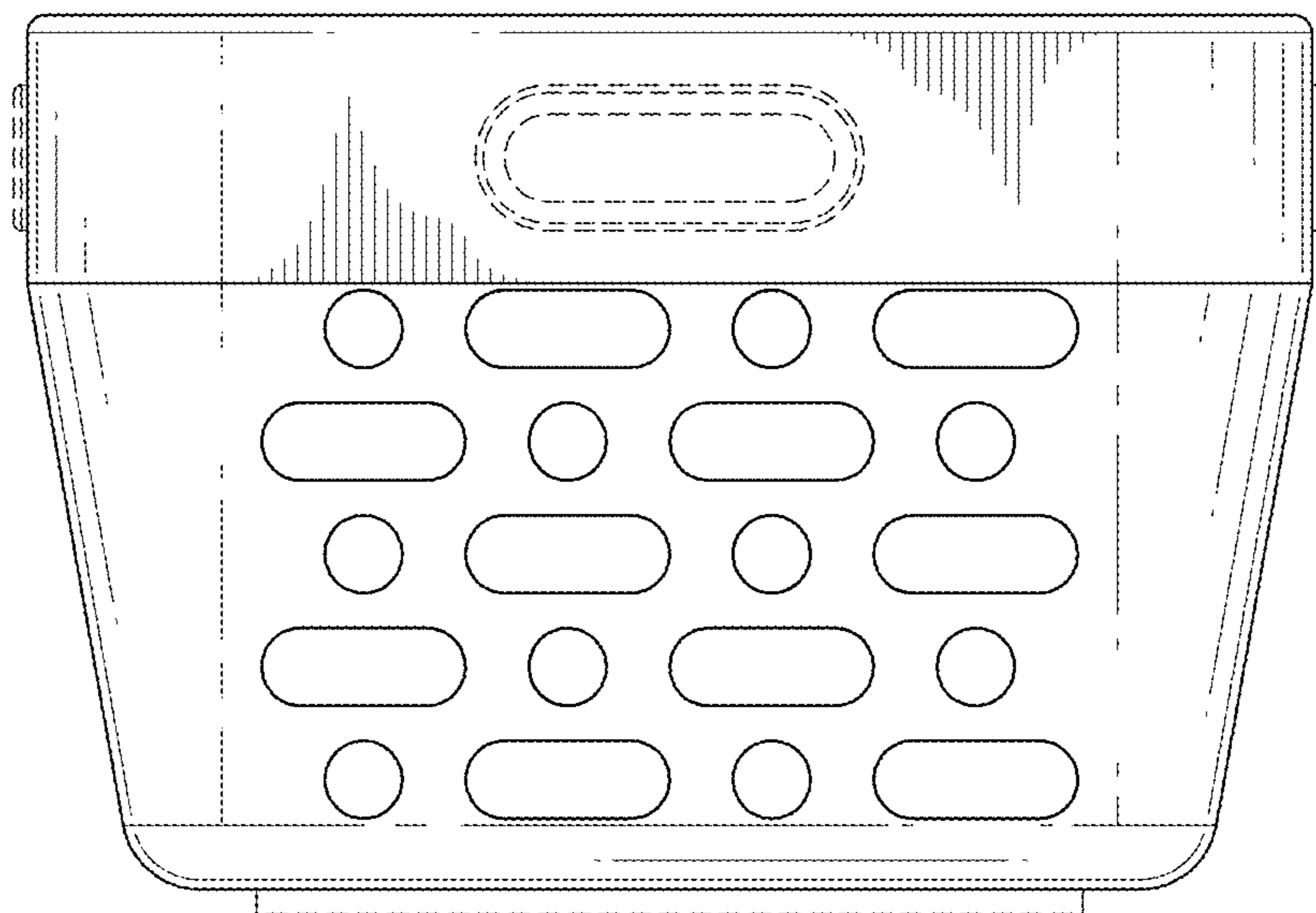


FIG. 6

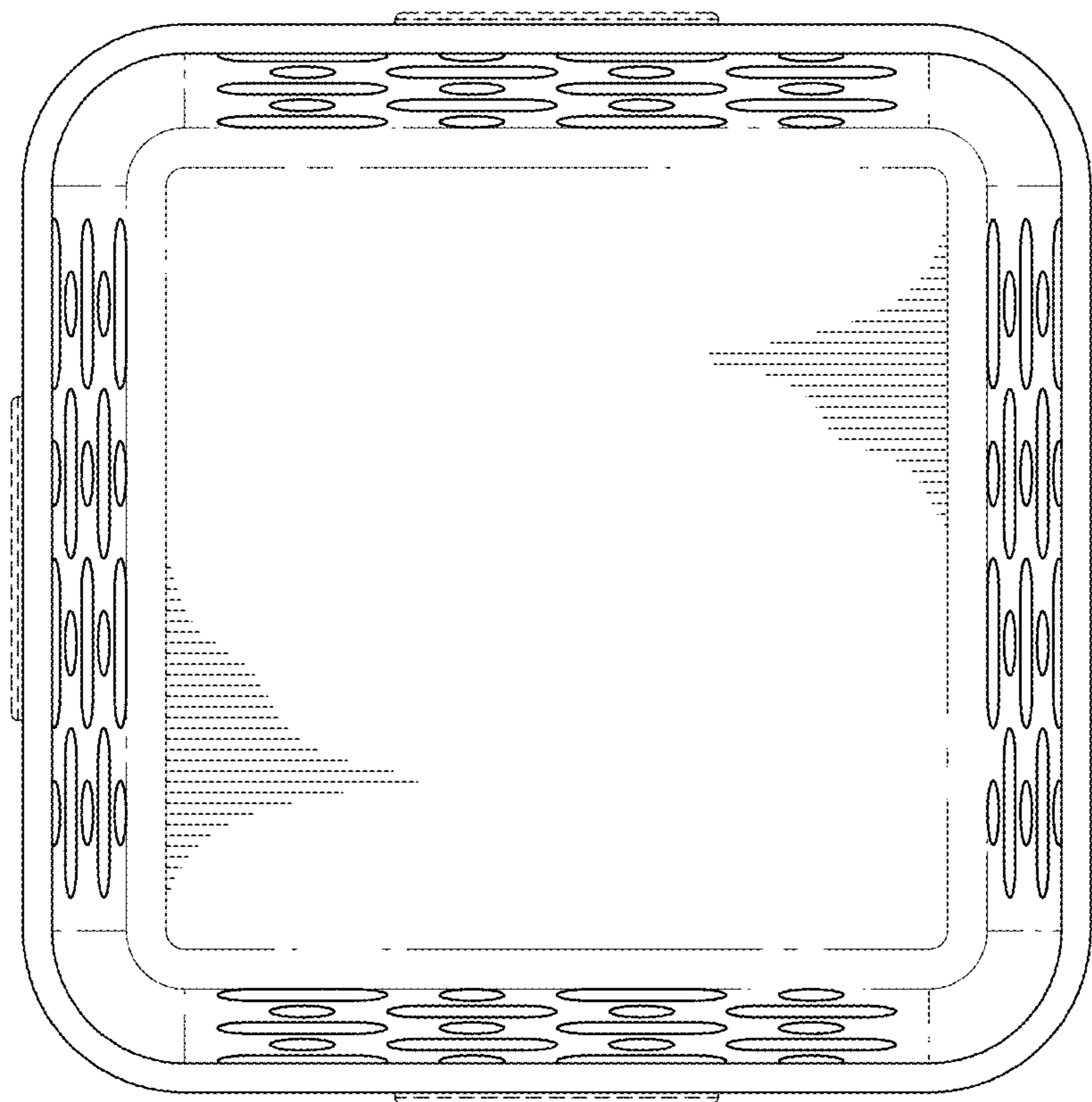


FIG. 7



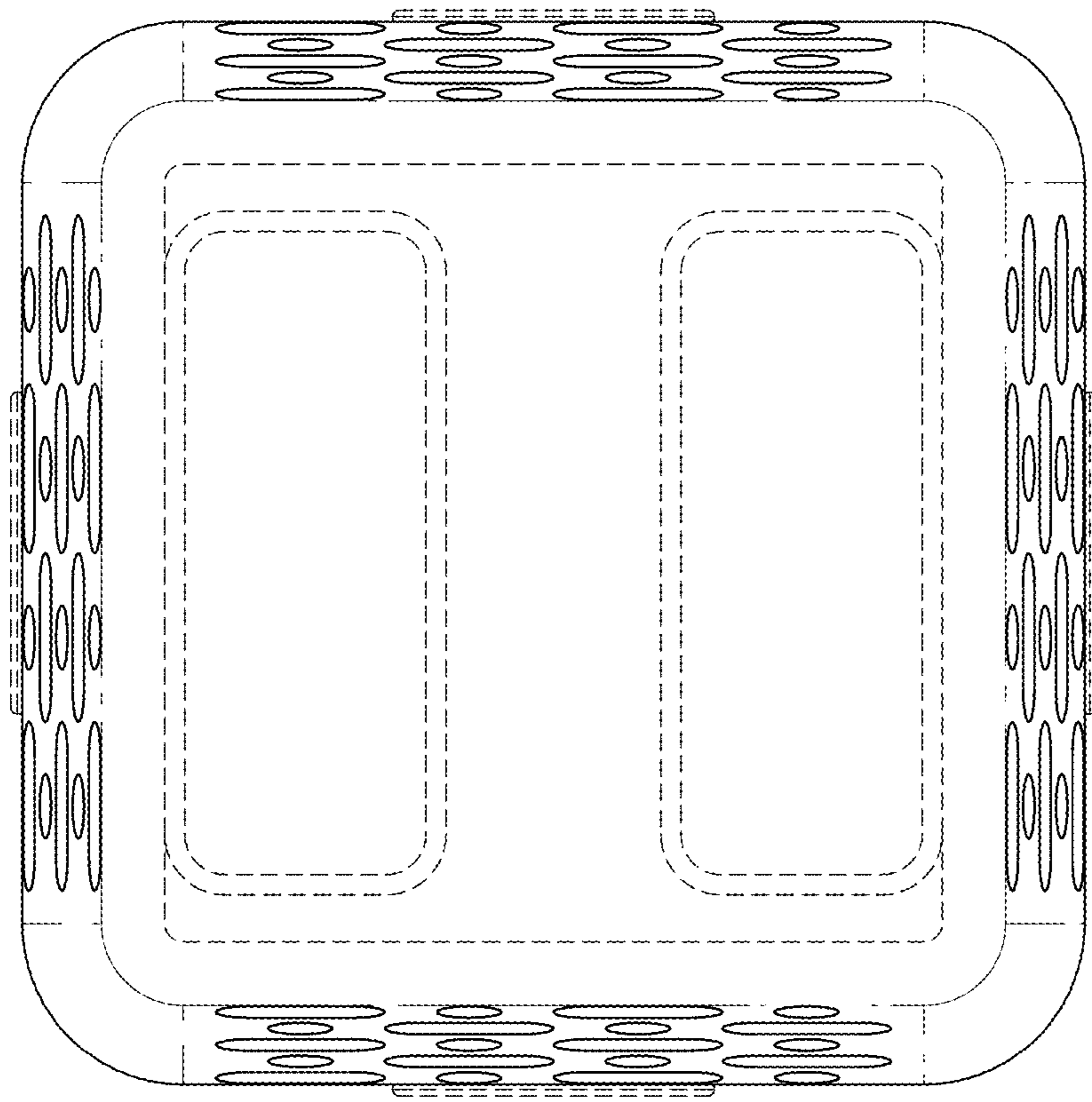


FIG. 8