

US00D799829S

(12) **United States Design Patent**
Farrington et al.

(10) **Patent No.:** **US D799,829 S**

(45) **Date of Patent:** **** Oct. 17, 2017**

(54) **CONTAINER**

(71) Applicant: **IPL, INC.**, Quebec (CA)

(72) Inventors: **Sean Farrington**, Leawood, KS (US);
Denis Lehouillier, Levis (CA)

(73) Assignee: **IPL, Inc.**, St-Damien (CA)

(**) Term: **15 Years**

(21) Appl. No.: **29/578,222**

(22) Filed: **Sep. 20, 2016**

(51) **LOC (10) Cl.** **03-01**

(52) **U.S. Cl.**
USPC **D3/309**

(58) **Field of Classification Search**
USPC D3/304, 312, 314, 315, 328, 309;
D9/424, 432
CPC B65D 1/22; B65D 1/34; B65D 21/0233
See application file for complete search history.

(56) **References Cited**

U.S. PATENT DOCUMENTS

D302,620 S *	8/1989	Quong	D3/314
D600,111 S *	9/2009	Gerulski	D9/424
D648,535 S *	11/2011	Reinhart	D3/302
D682,673 S *	5/2013	Miller	D9/424

D718,533 S *	12/2014	Leadholm	D3/307
D741,705 S *	10/2015	Astorga	D9/425
D741,707 S *	10/2015	Astorga	D9/425
D746,675 S *	1/2016	Astorga	D9/425
D754,533 S *	4/2016	Afford	D9/425
D756,167 S *	5/2016	Dudek	D7/584
D765,503 S *	9/2016	Shiffer	D9/428
D784,125 S *	4/2017	Fife	D9/425

* cited by examiner

Primary Examiner — Kelley Donnelly

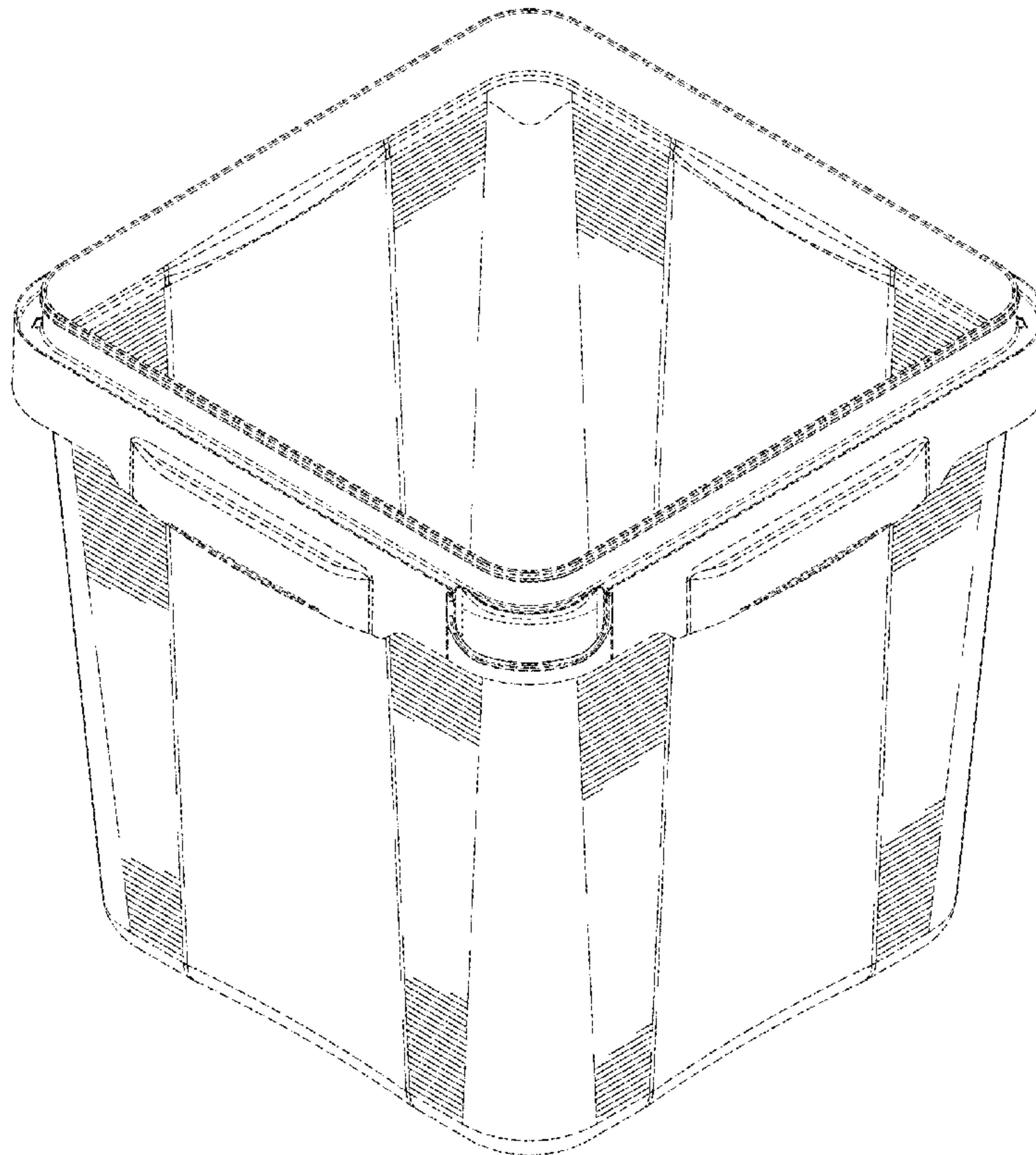
(57) **CLAIM**

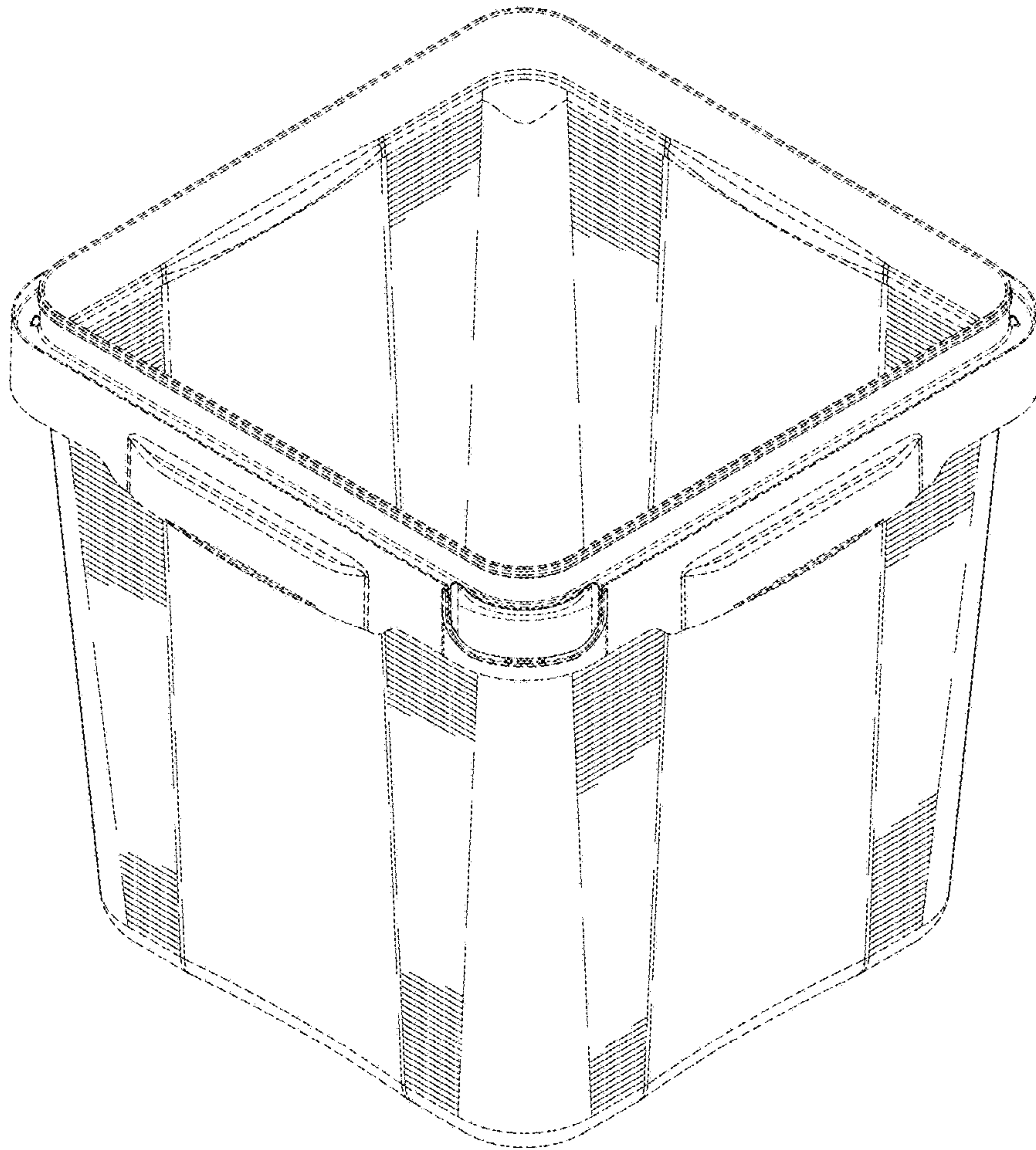
The ornamental design for a container, as shown and described.

DESCRIPTION

FIG. 1 is a perspective view of the container;
FIG. 2 is a first side view of the container of FIG. 1;
FIG. 3 is a second side view of the container of FIG. 1;
FIG. 4 is a third side view of the container of FIG. 1;
FIG. 5 is a fourth side view of the container of FIG. 1;
FIG. 6 is a top view of the container of FIG. 1; and,
FIG. 7 is a fourth side view of the container of FIG. 1.
The broken lines are included for the purpose of illustrating environment and form no part of the claimed design.

1 Claim, 7 Drawing Sheets





1

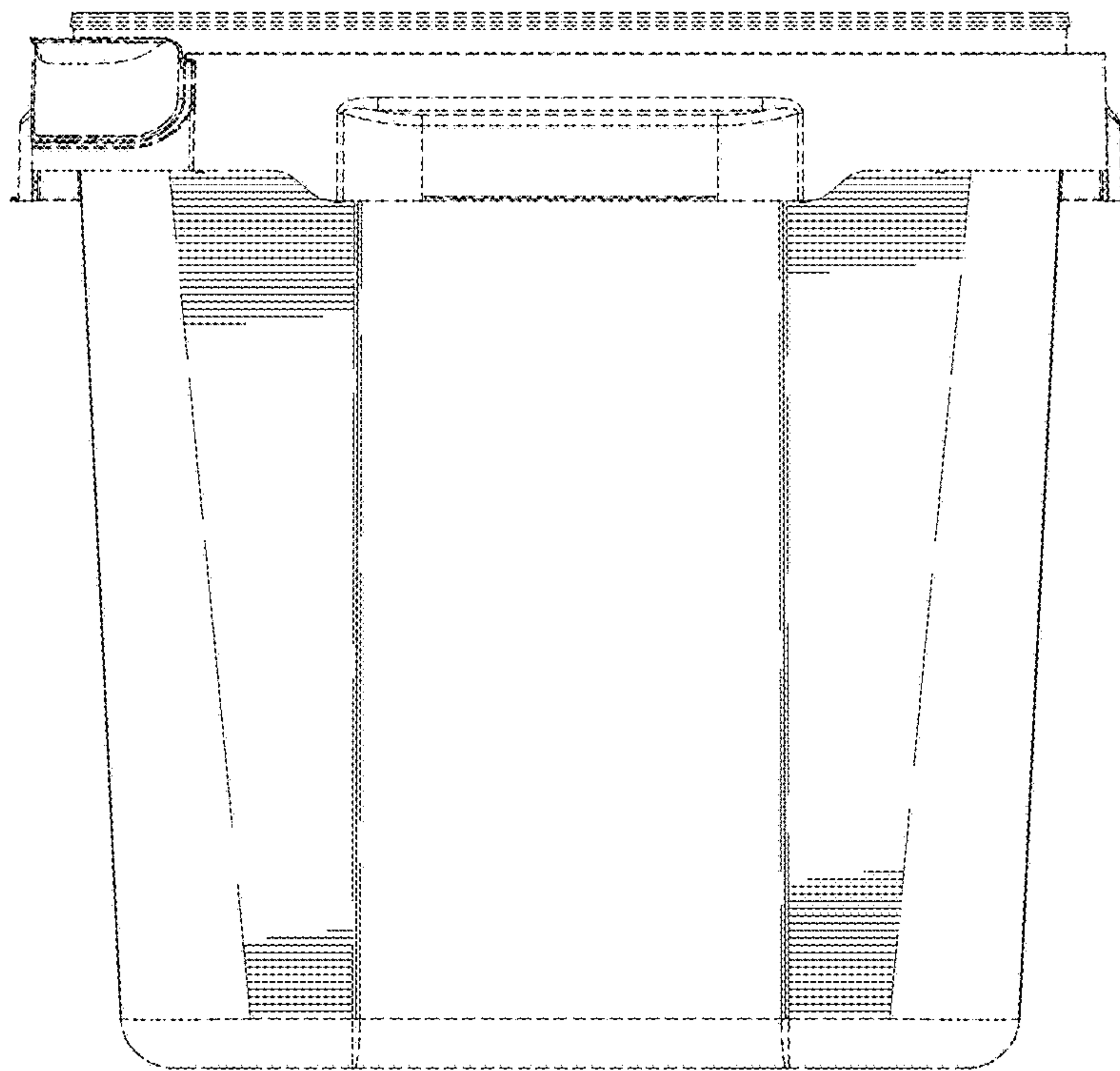


FIG. 2

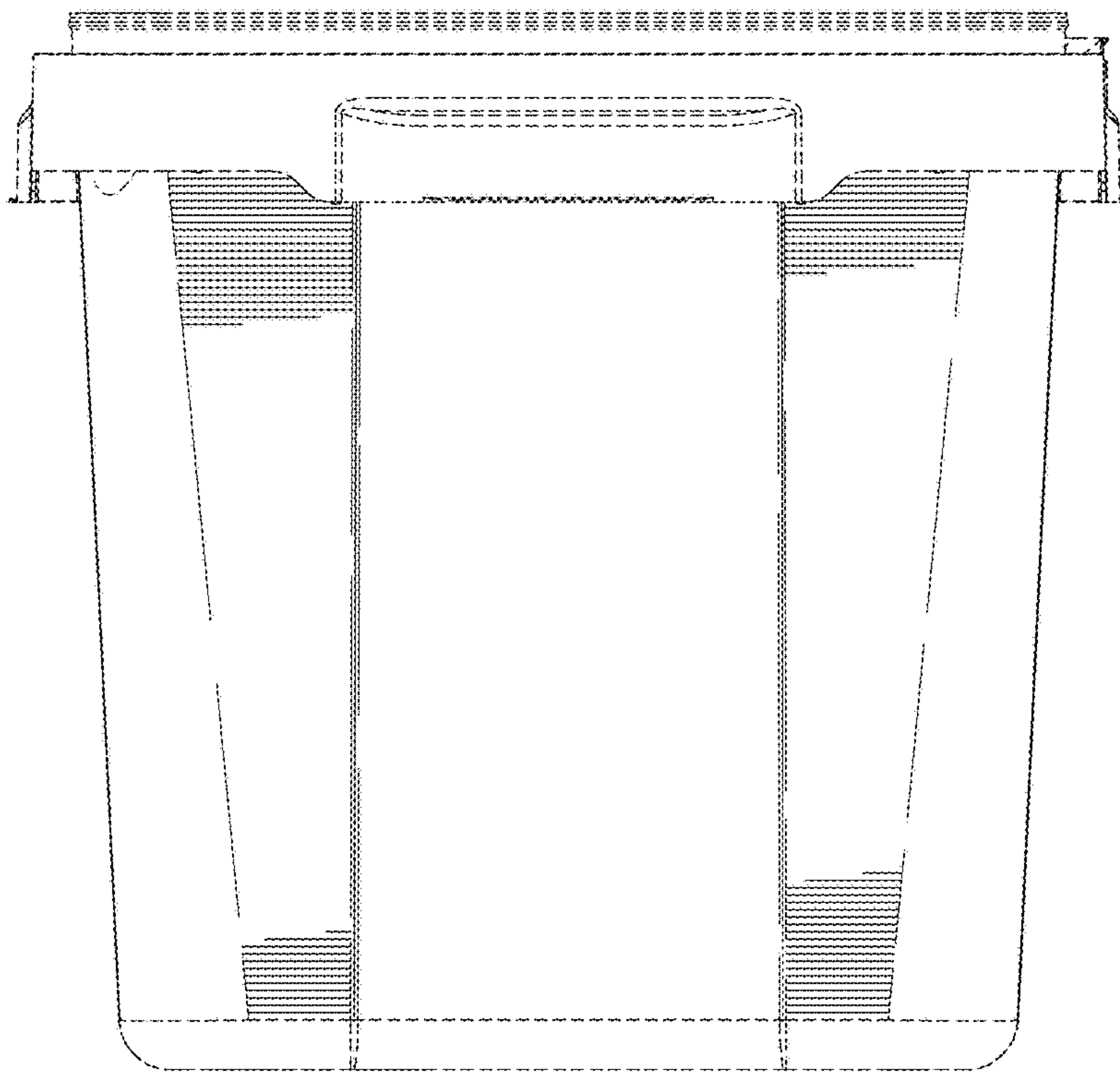


FIG. 3

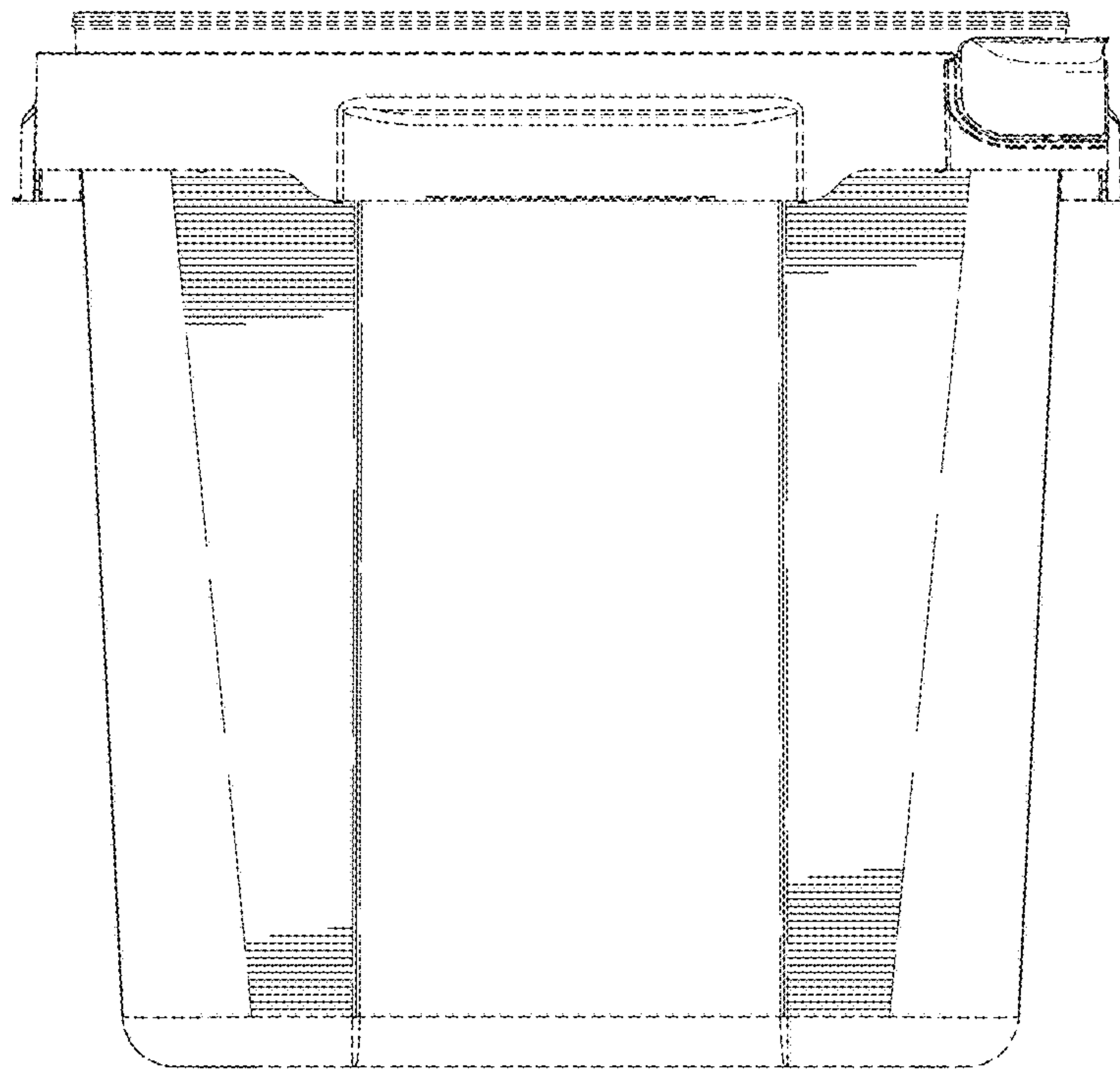


FIG. 4

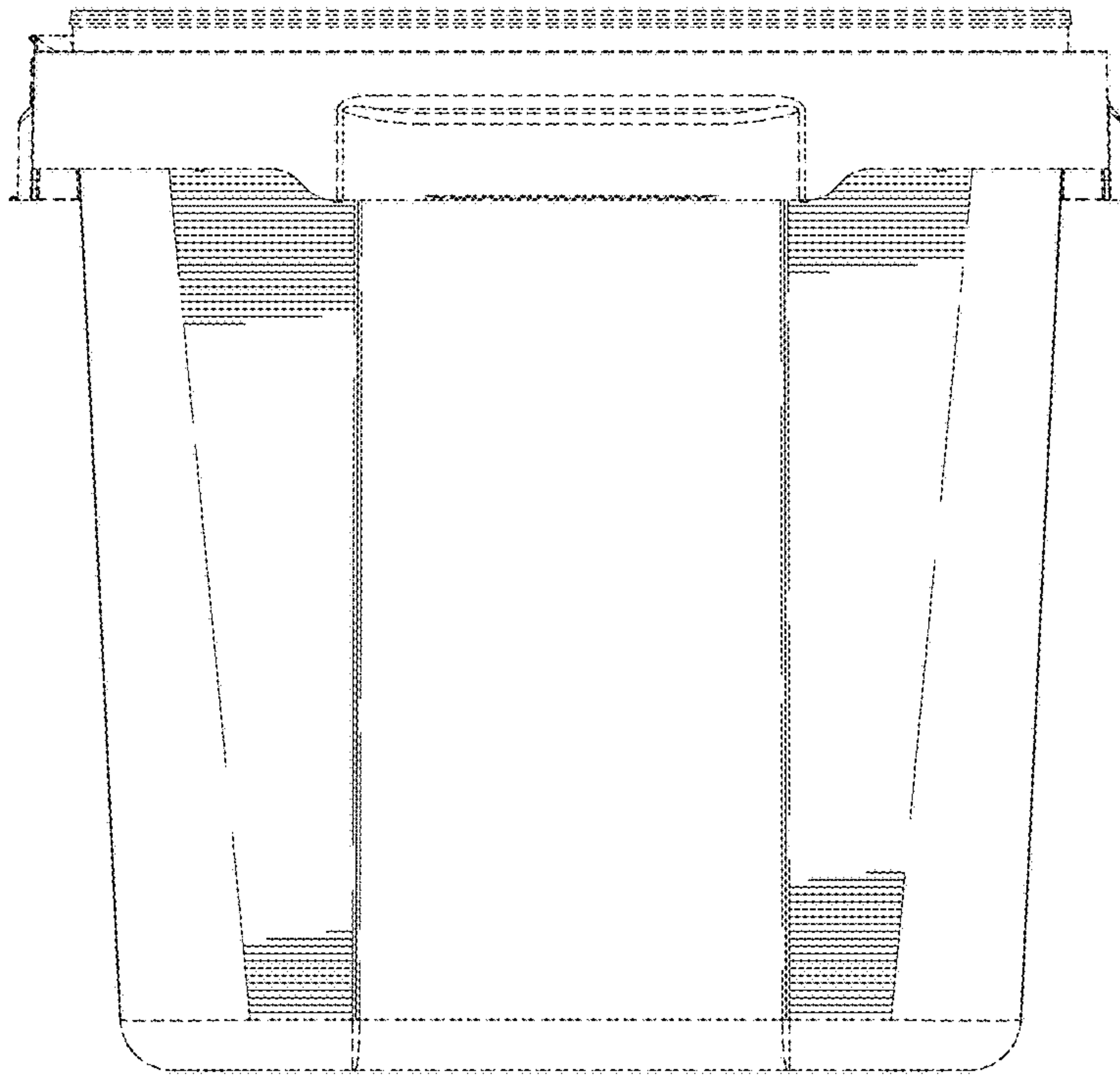


FIG. 5

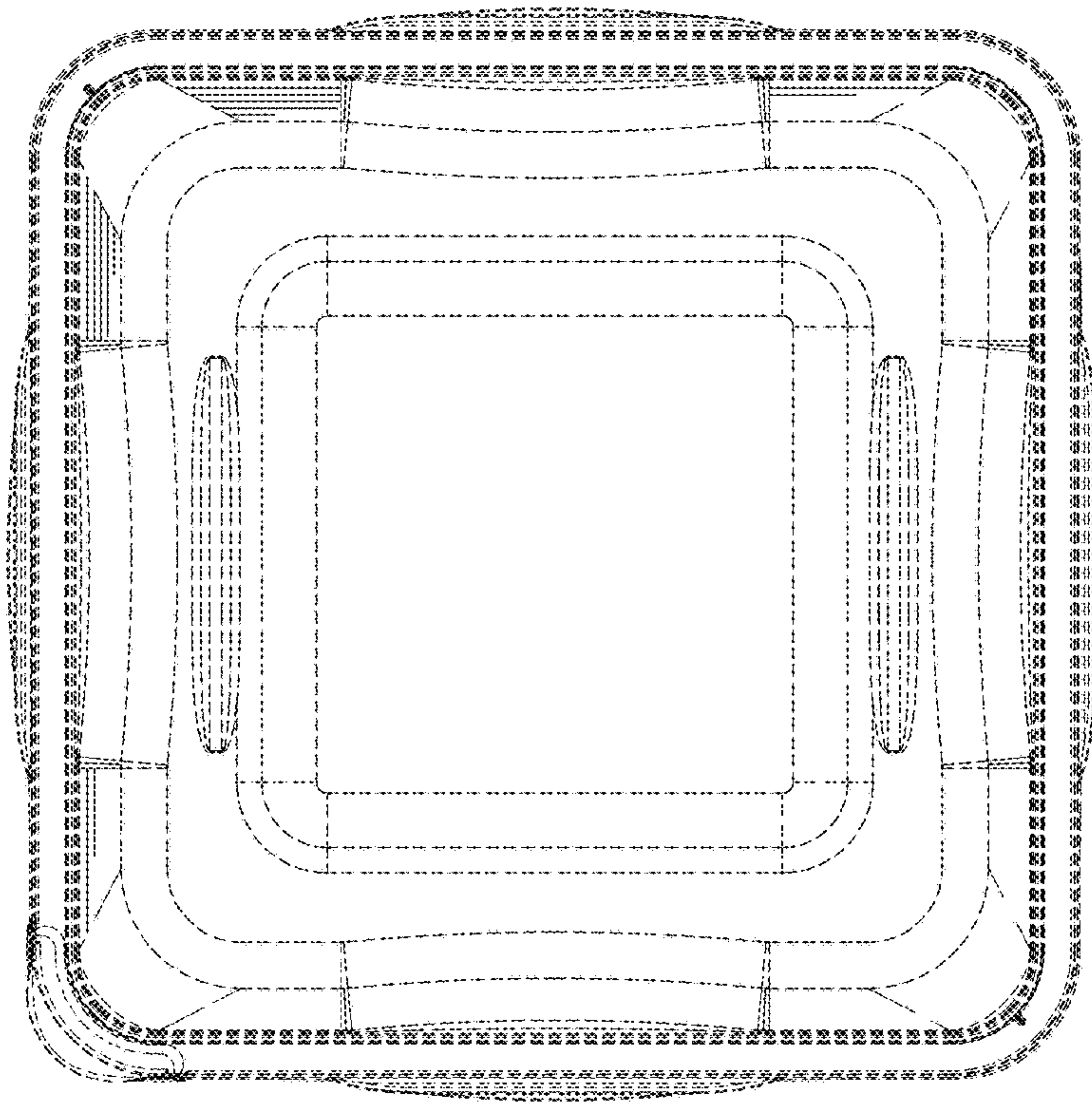


FIG. 6

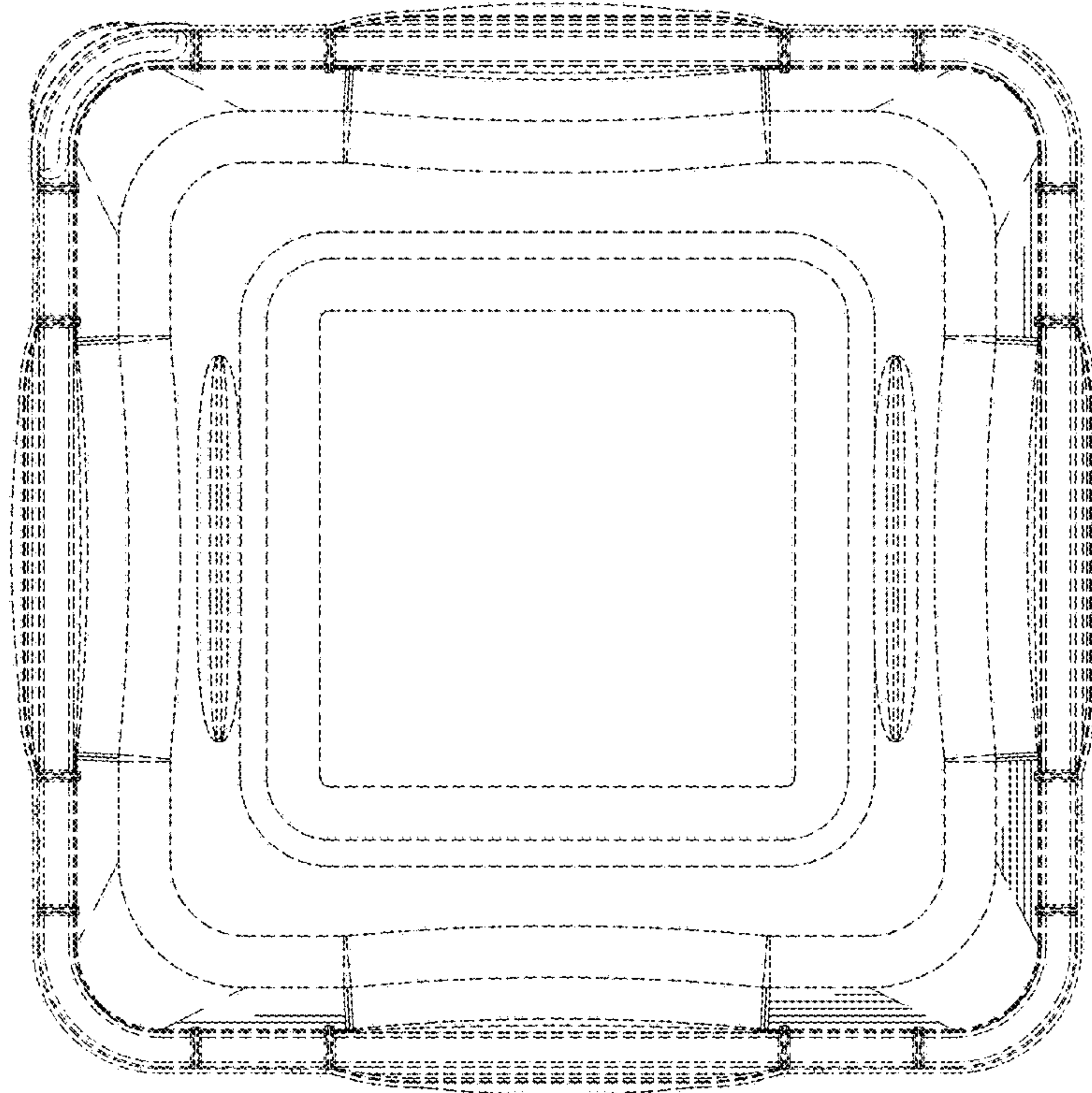


FIG. 7