



US00D799828S

(12) **United States Design Patent** (10) **Patent No.:** **US D799,828 S**
Li (45) **Date of Patent:** **** Oct. 17, 2017**

- (54) **BIN WITH HANDLE**
- (71) Applicant: **Ningbo Lisi Houseware Co., Ltd.**,
Ningbo (CN)
- (72) Inventor: **LiXin Li**, Ningbo (CN)
- (73) Assignee: **NINGBO LISI HOUSEWARE CO., LTD.**,
Ningbo (CN)
- (**) Term: **15 Years**
- (21) Appl. No.: **29/586,421**
- (22) Filed: **Dec. 2, 2016**
- (51) **LOC (10) Cl.** **03-01**
- (52) **U.S. Cl.**
USPC **D3/307**
- (58) **Field of Classification Search**
USPC D3/304, 307, 312, 314, 315;
D7/601-602
CPC . B65D 1/34; B65D 11/20; A47J 47/14; A47G
19/02
See application file for complete search history.

- D635,363 S * 4/2011 Hertaus D3/307
- D641,266 S * 7/2011 Tamura D10/46.2
- D664,004 S * 7/2012 Benishai D7/543
- D688,870 S * 9/2013 Levie D3/311
- D720,931 S * 1/2015 Levie D3/307
- D752,864 S * 4/2016 Levie D3/304
- D774,349 S * 12/2016 Zemel D7/354
- D793,157 S * 8/2017 D'Amico D7/400

* cited by examiner

Primary Examiner — Kelley Donnelly

(74) *Attorney, Agent, or Firm* — Karish & Bjorgum, PC

(57) **CLAIM**

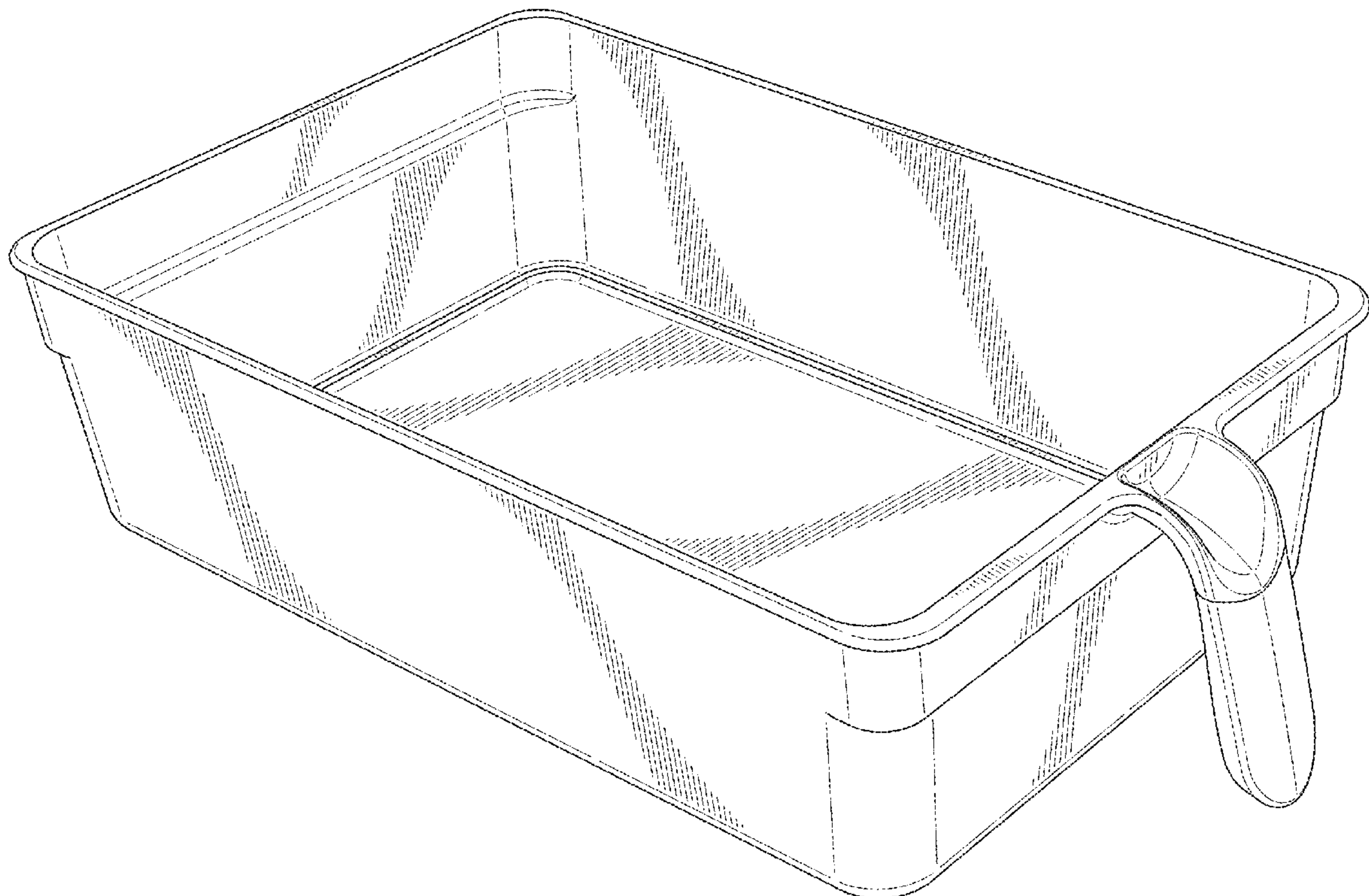
The ornamental design for a bin with handle, as shown and described.

DESCRIPTION

FIG. 1 is front isometric view of a bin with handle of the invention.
 FIG. 2 is a right side view of the bin with handle of FIG. 1.
 FIG. 3 is left side view of the bin with handle of FIG. 1.
 FIG. 4 is front view of the bin with handle of FIG. 1.
 FIG. 5 is rear view of the bin with handle of FIG. 1.
 FIG. 6 is a top view of the bin with handle of FIG. 1; and,
 FIG. 7 is a bottom view of the bin with handle of FIG. 1.
 The broken lines shown represent unclaimed subject matter and form no part of the claimed design.

1 Claim, 5 Drawing Sheets

- (56) **References Cited**
U.S. PATENT DOCUMENTS
D459,152 S * 6/2002 Fischer D7/400
D590,655 S * 4/2009 Freeman D7/354



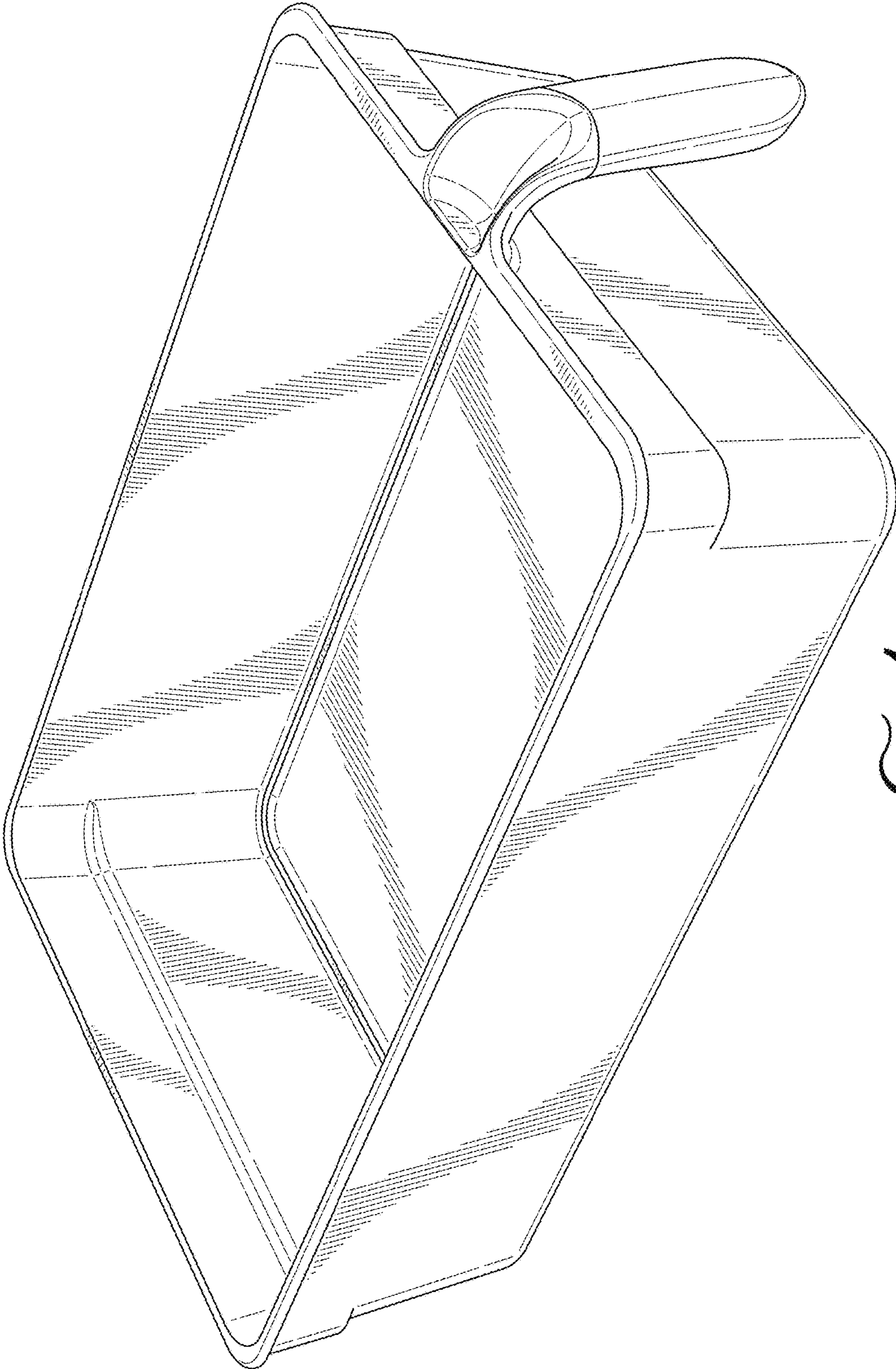


FIG. 1

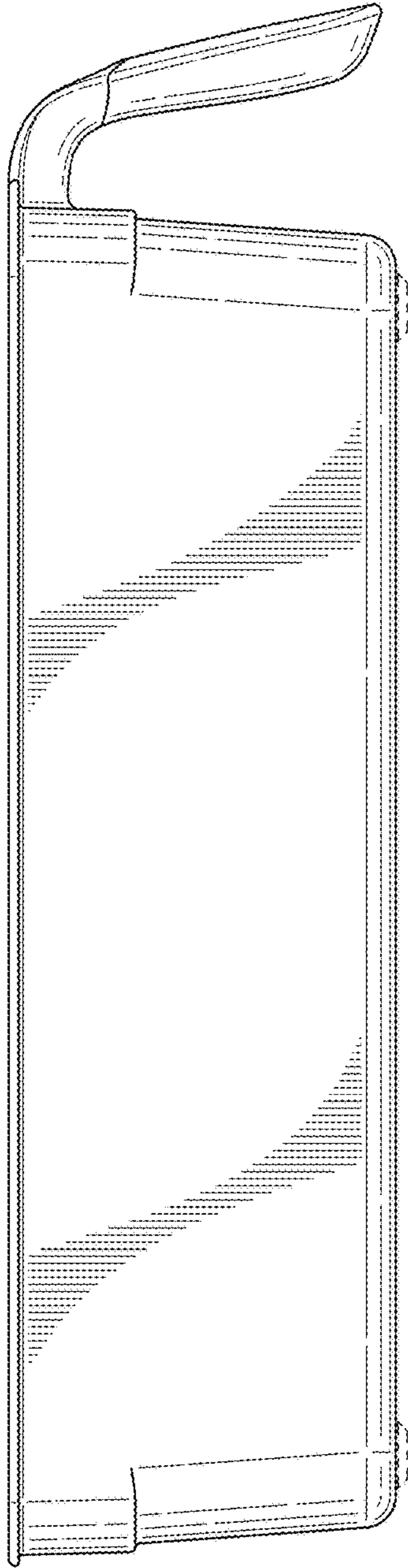


FIG. 2

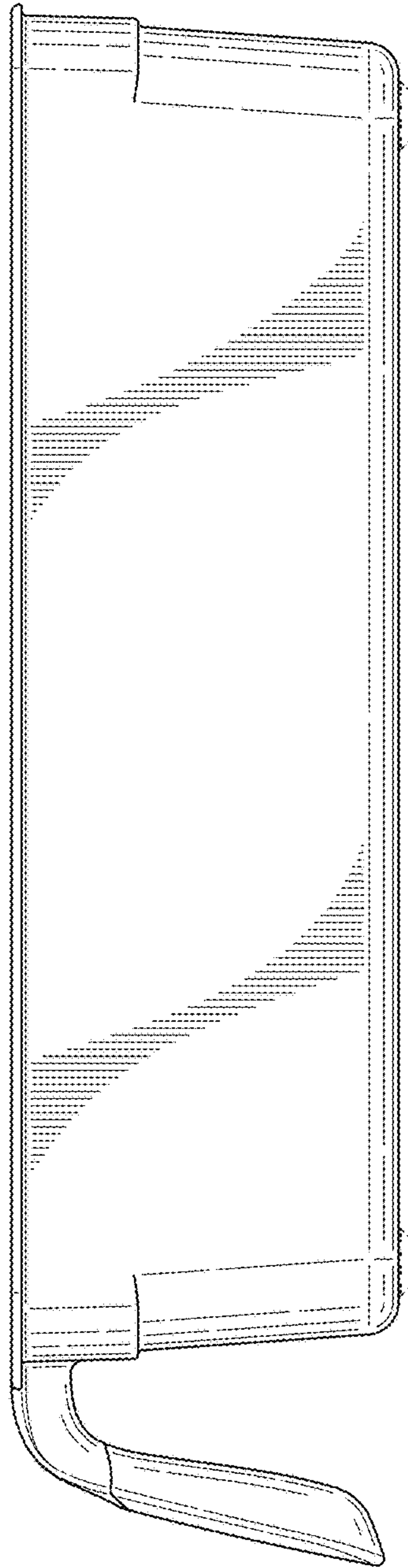


FIG. 3

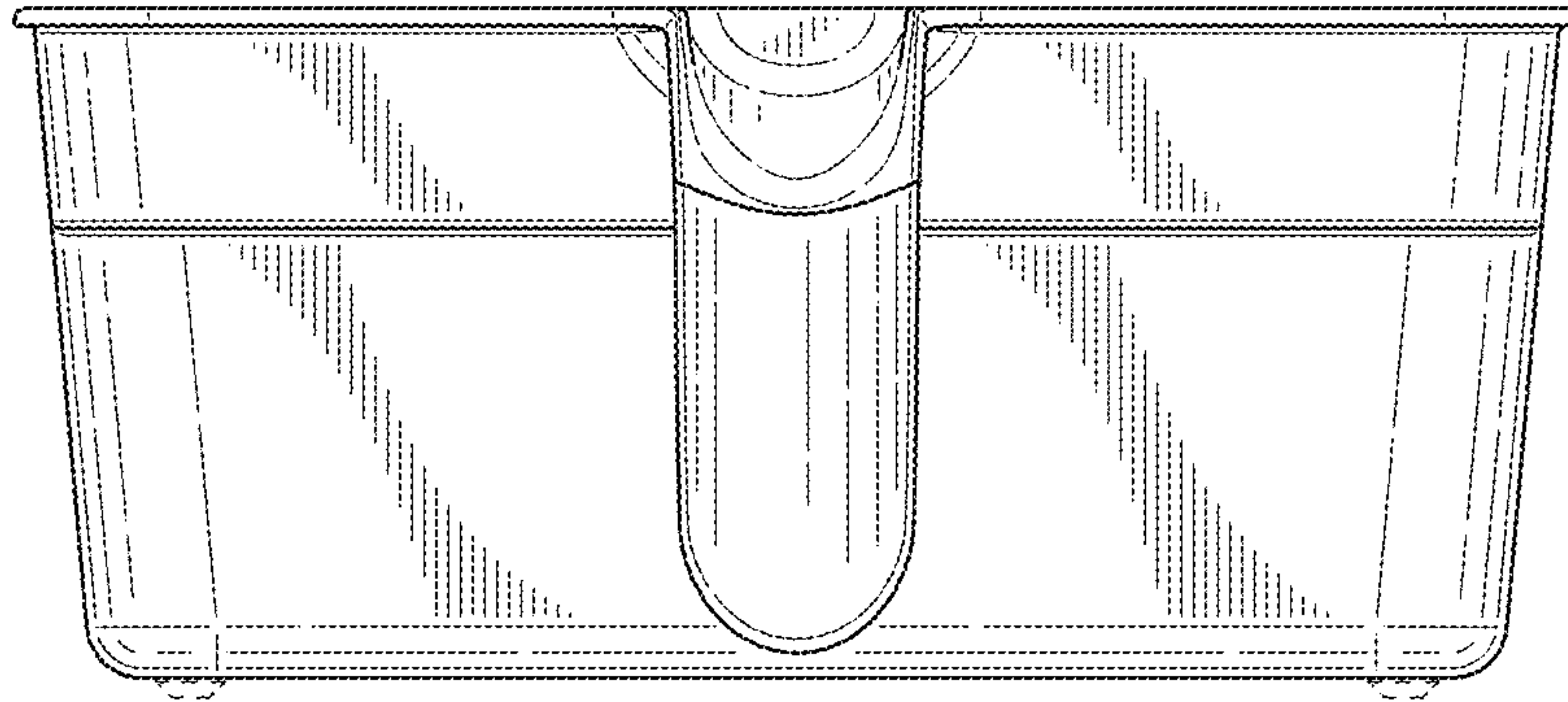


FIG. 4

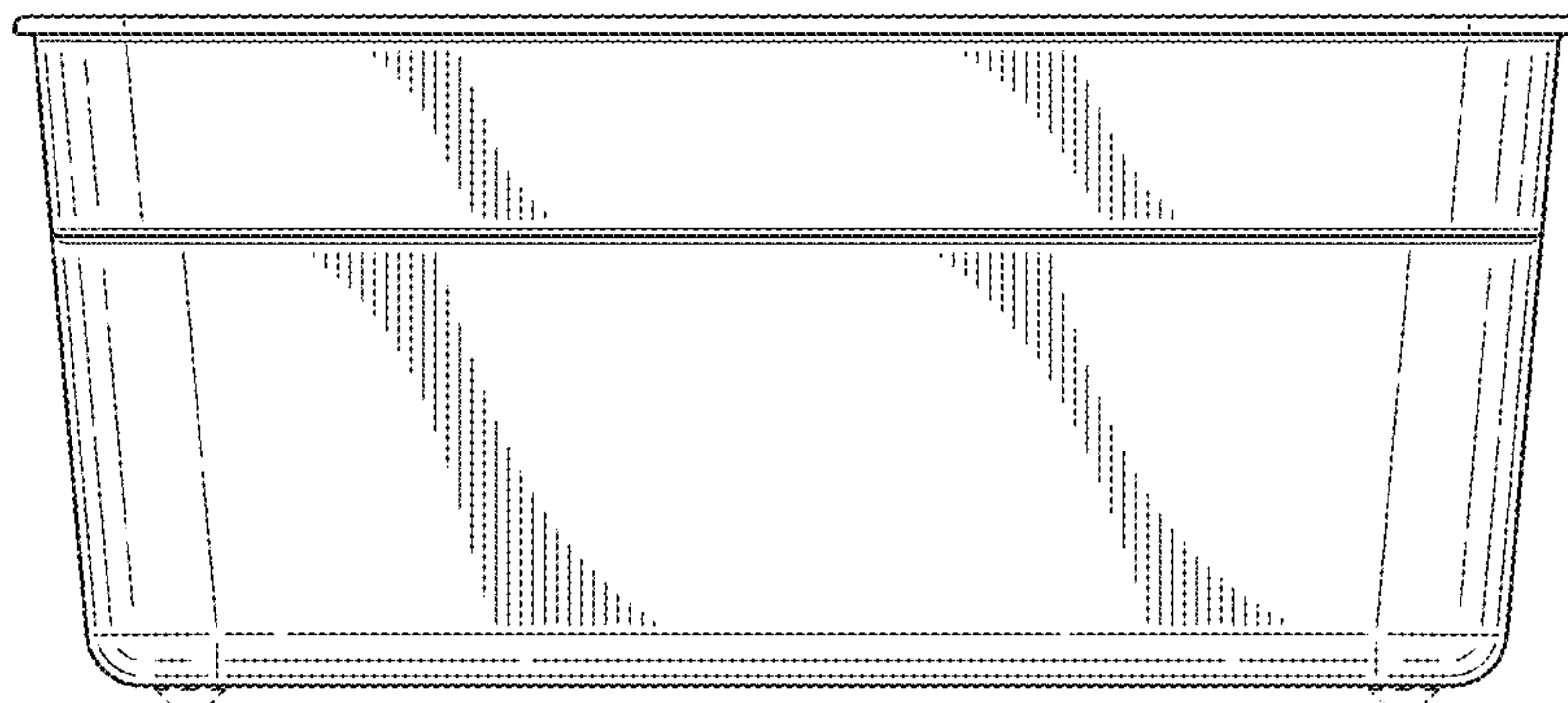


FIG. 5

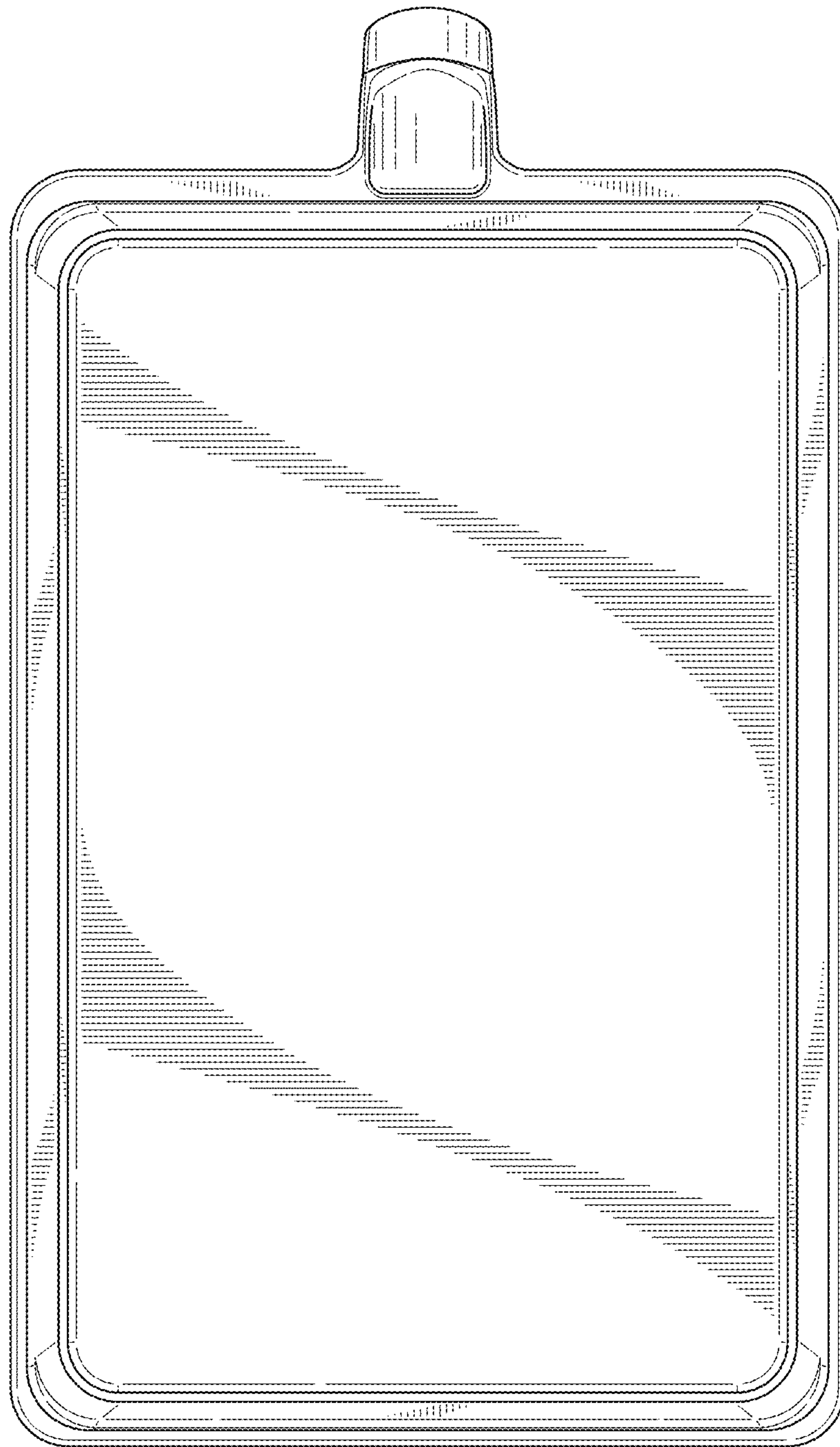


FIG. 0

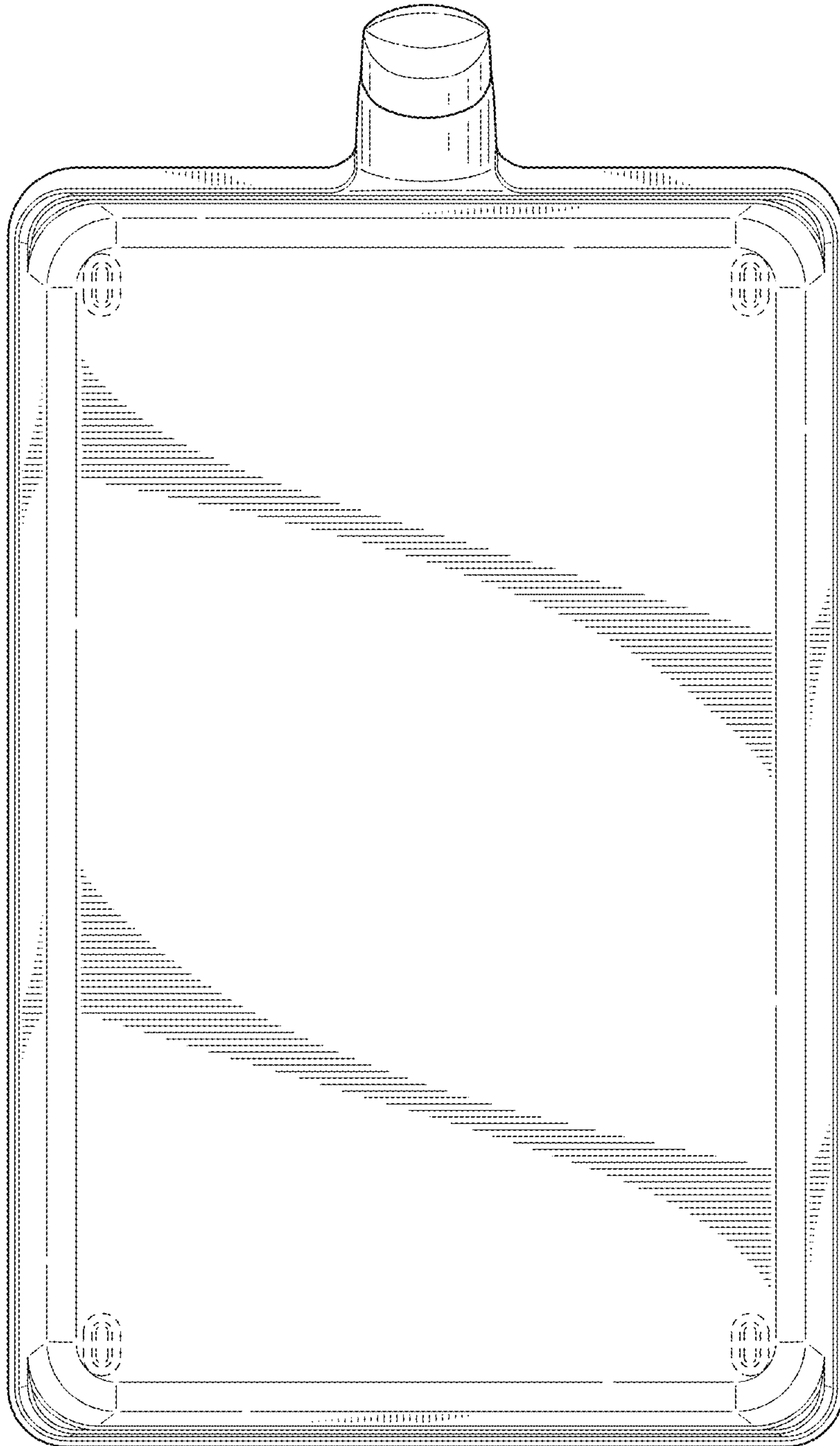


FIG. 7