



US00D799826S

(12) **United States Design Patent** (10) **Patent No.:** **US D799,826 S**
DeVita et al. (45) **Date of Patent:** **** Oct. 17, 2017**

(54) **VISUAL VERIFICATION PHARMACY TRAY**

3,169,643 A 2/1965 Roberts
3,747,756 A * 7/1973 Wheeler B07C 7/04
206/557
D248,078 S * 6/1978 Warnekros 141/98
(Continued)

(71) Applicant: **CVS Pharmacy, Inc.**, Woonsocket, RI (US)

(72) Inventors: **James T. DeVita**, Middleton, MA (US);
Thomas G. Davis, Cumberland, RI (US); **John Rocchio**, Roxbury, MA (US); **Lauren Berton**, Cranston, RI (US); **Rory Macey**, Johnston, RI (US); **Vishal Amin**, Providence, RI (US); **Swati Patel**, Cranston, RI (US)

Primary Examiner — Kelley Donnelly
(74) *Attorney, Agent, or Firm* — Patent Law Works LLP

(57) **CLAIM**

The ornamental design for a visual verification pharmacy tray, as shown and described.

(73) Assignee: **CVS Pharmacy, Inc.**, Woonsocket, RI (US)

DESCRIPTION

(**) Term: **15 Years**

(21) Appl. No.: **29/585,018**

(22) Filed: **Nov. 18, 2016**

Related U.S. Application Data

(63) Continuation of application No. 14/321,485, filed on Jul. 1, 2014, now Pat. No. 9,532,928.

(51) **LOC (10) Cl.** **03-01**

(52) **U.S. Cl.**
USPC **D3/304**

(58) **Field of Classification Search**
USPC D3/304, 308, 318, 319; D7/550.1, 554.4, D7/566, 586; D24/133, 227
CPC . B65D 1/00; B65D 1/34; B65D 25/38; B65D 25/52; B65D 85/70
See application file for complete search history.

FIG. 1 is a top, front, and right perspective view of a visual verification pharmacy tray, or portion thereof, showing the new design.

FIG. 2 is a bottom, rear, and left perspective view of the visual verification pharmacy tray, or portion thereof, showing the new design.

FIG. 3 is a top, front, and left perspective view of the visual verification pharmacy tray, or portion thereof, showing the new design.

FIG. 4 is a top view of the visual verification pharmacy tray, or portion thereof, showing the new design.

FIG. 5 is a bottom view of the visual verification pharmacy tray, or portion thereof, showing the new design.

FIG. 6 is a left side view of the visual verification pharmacy tray, or portion thereof, showing the new design (the right side view being a mirror image thereof).

FIG. 7 is a front view of the visual verification pharmacy tray, or portion thereof, showing the new design; and,

FIG. 8 is a rear view of the visual verification pharmacy tray, or portion thereof, showing the new design.

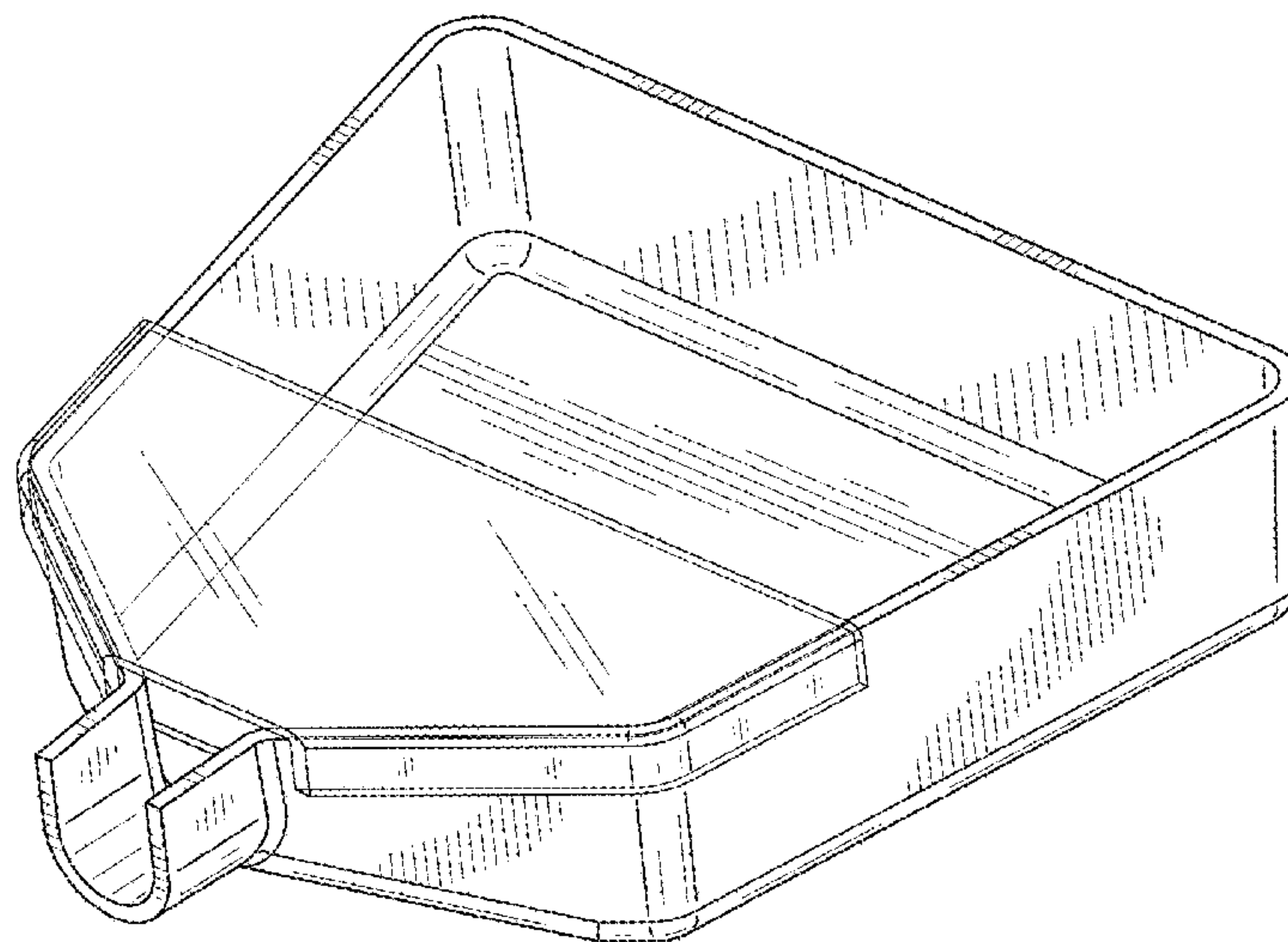
Within the drawings, the even spaced dash-dash lines, and the areas within the dash-dash lines, show unclaimed portions of the visual verification pharmacy tray and form no part of the claimed design. The surface shading lines are provided to indicate any contour or curvature of the surfaces.

(56) **References Cited**

U.S. PATENT DOCUMENTS

2,754,030 A * 7/1956 Waber B65D 83/0409
206/540
2,812,076 A 11/1957 Mistretta

1 Claim, 7 Drawing Sheets



(56)

References Cited

U.S. PATENT DOCUMENTS

4,298,157 A 11/1981 DeVierno
D262,507 S * 1/1982 Wooldridge D7/698
4,502,612 A * 3/1985 Morrison B65D 63/109
206/540
D298,968 S * 12/1988 McAllister D15/140
D430,399 S * 9/2000 Pawuk D3/304
D432,308 S * 10/2000 Lockhart D3/201
D459,581 S 7/2002 Krumes
D637,636 S * 5/2011 Liao D15/150

* cited by examiner

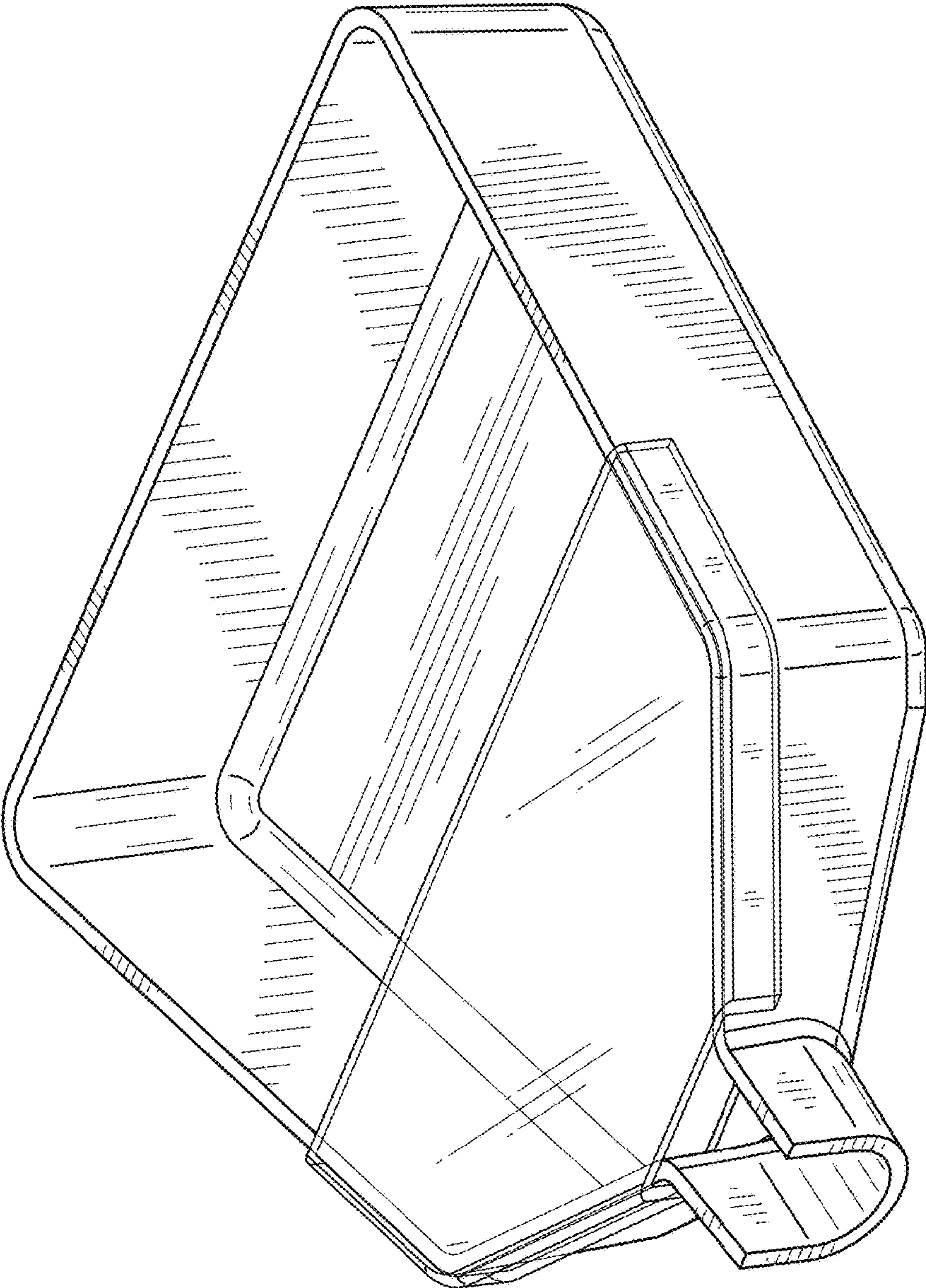


FIG. 1

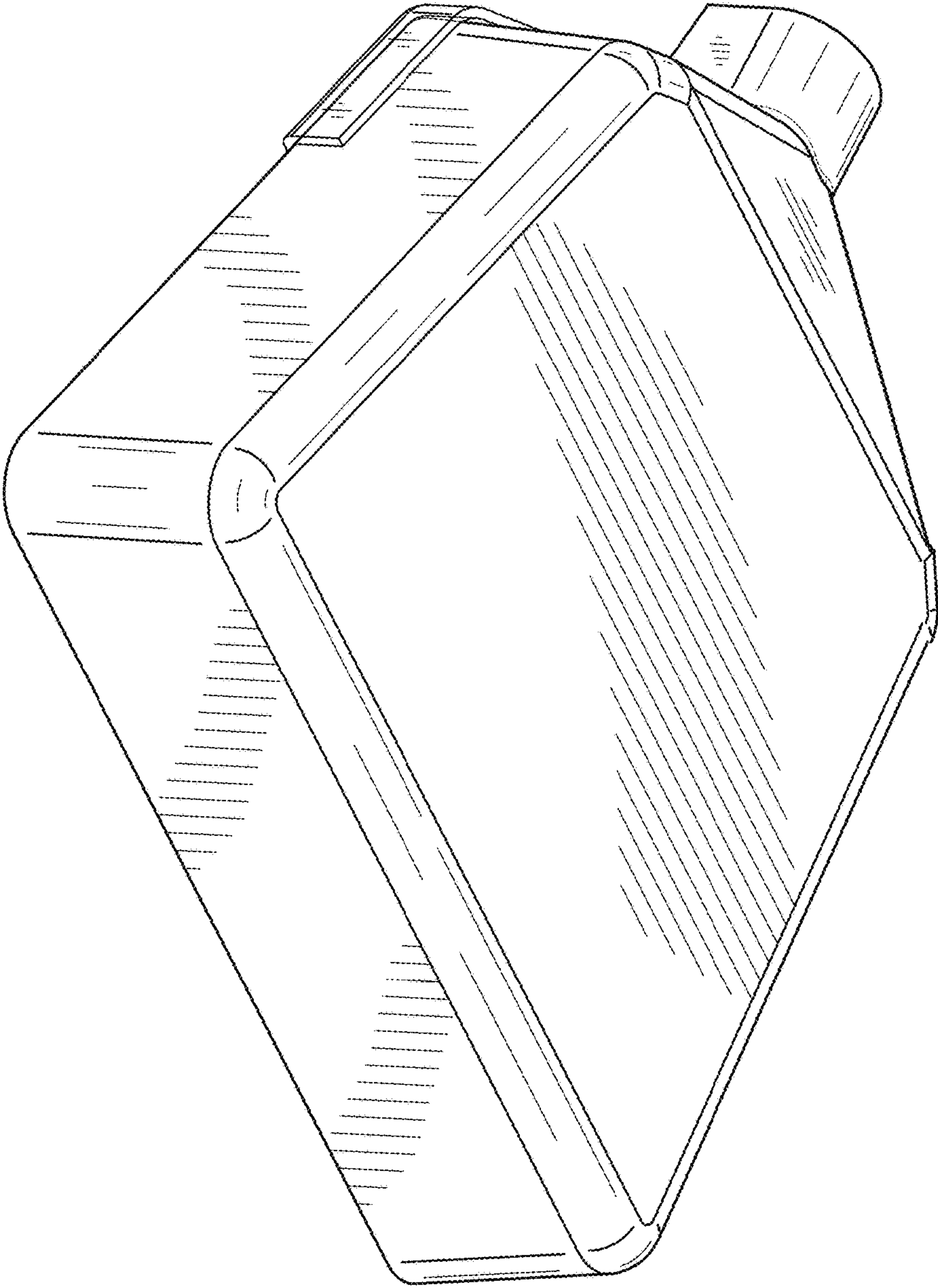


FIG. 2

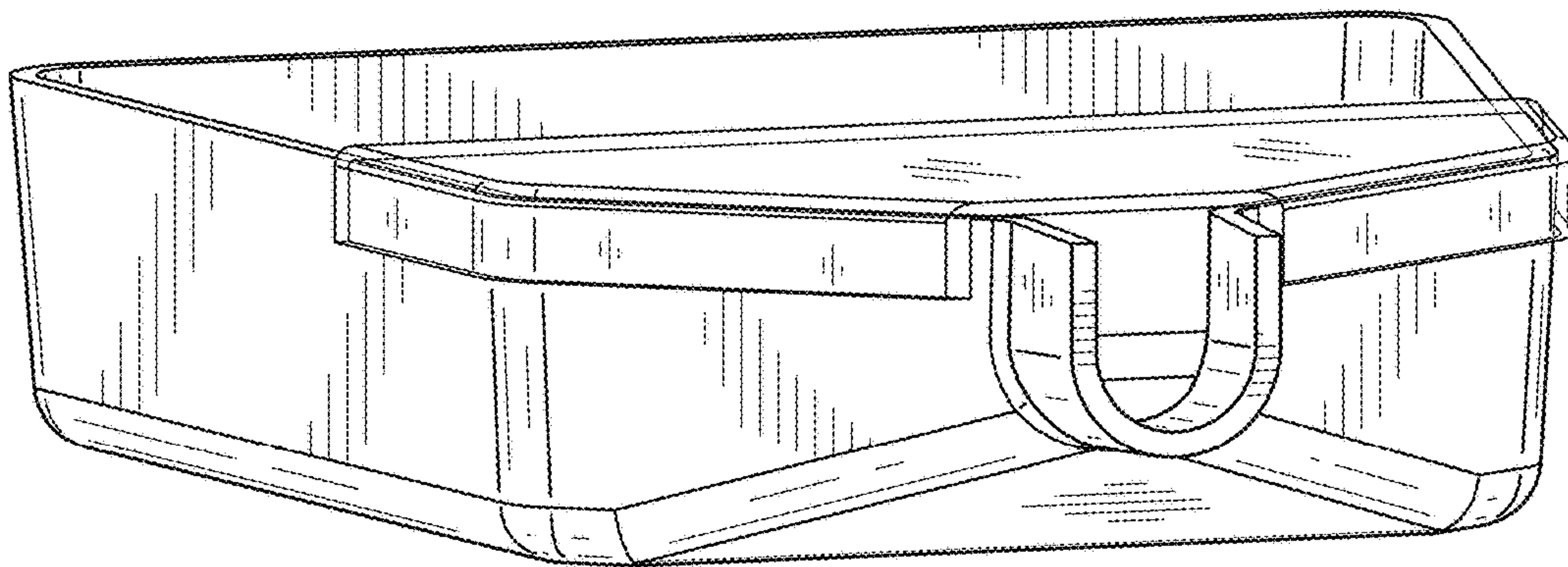


FIG. 3

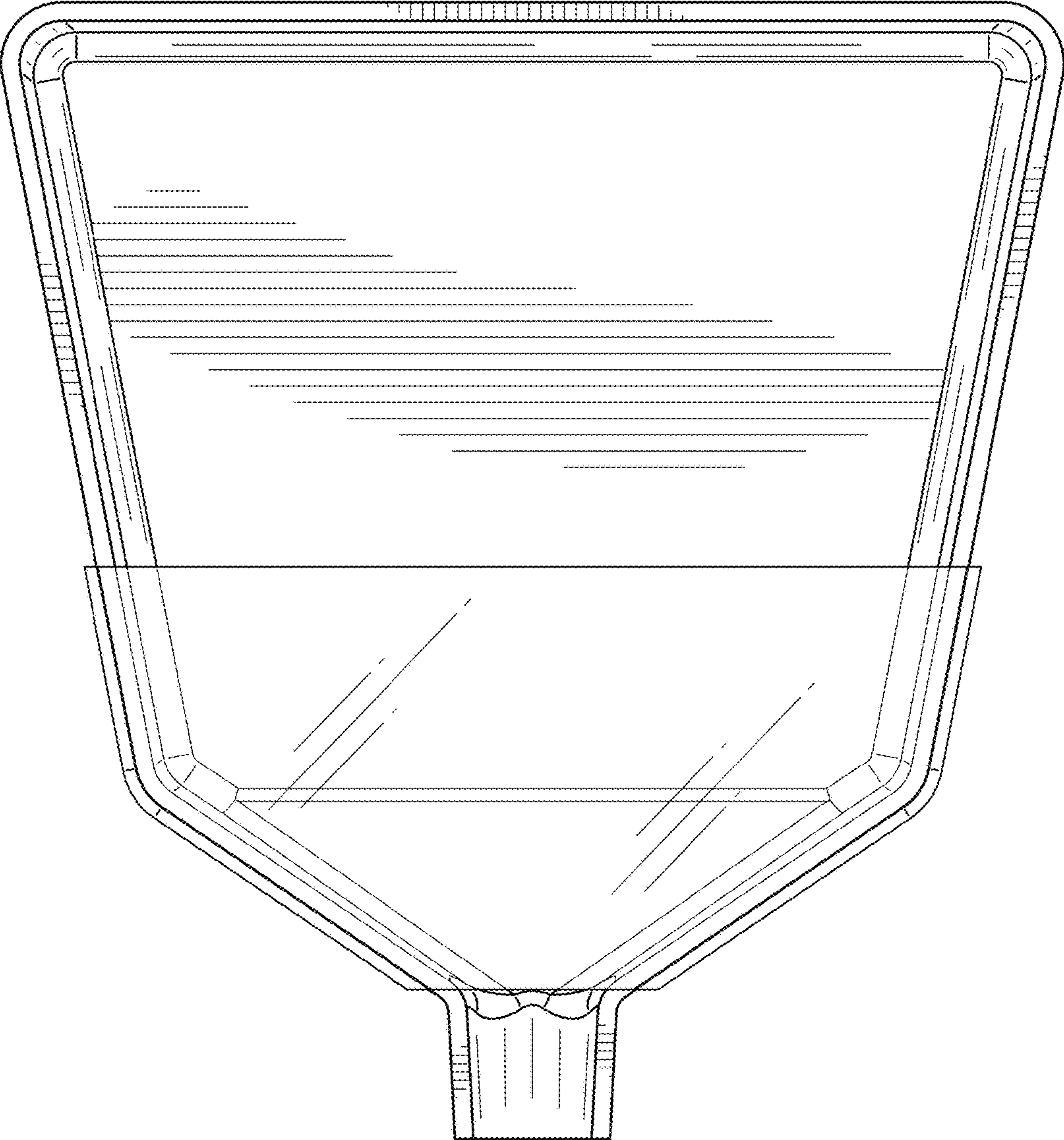


FIG. 4

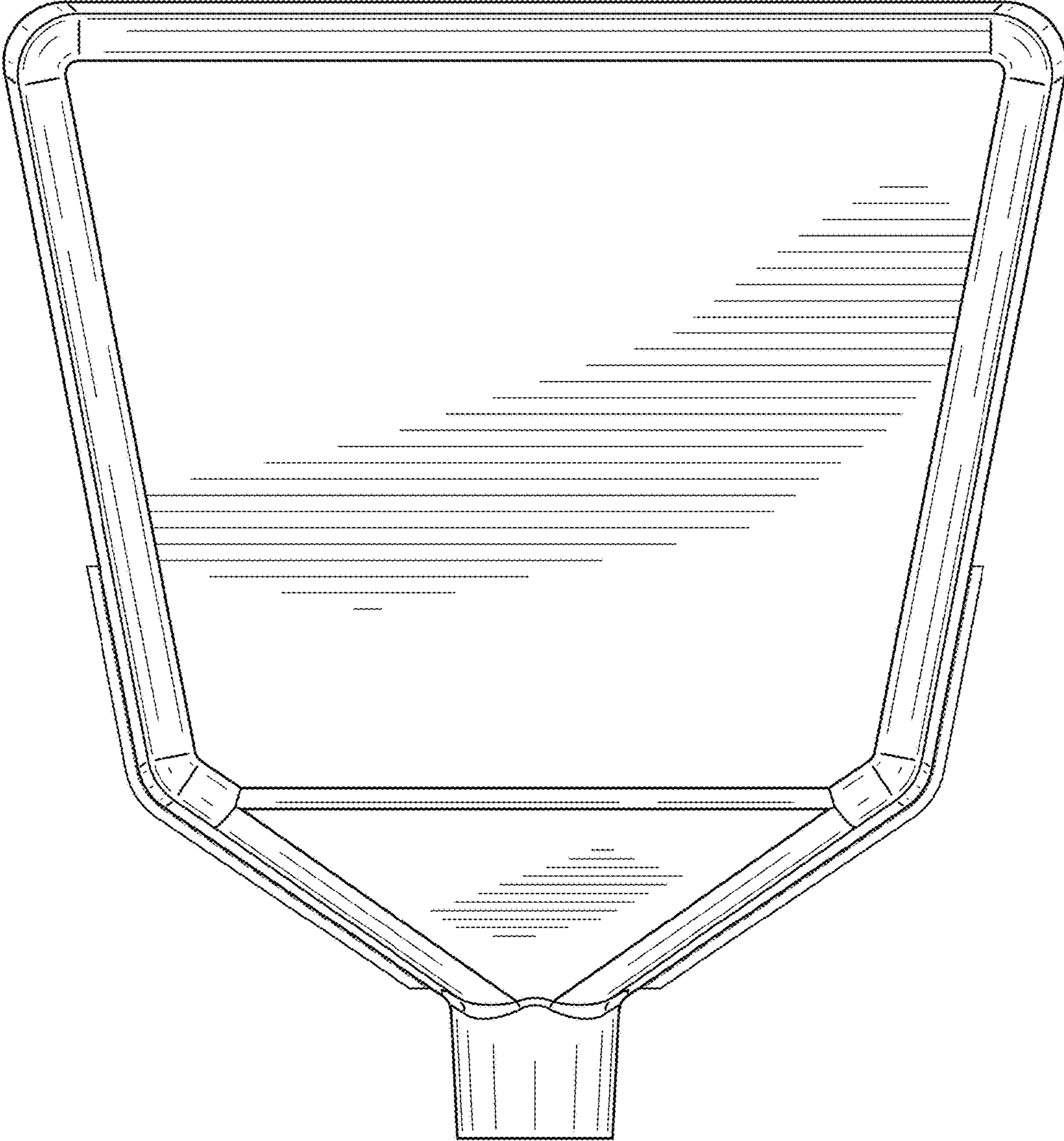


FIG. 5

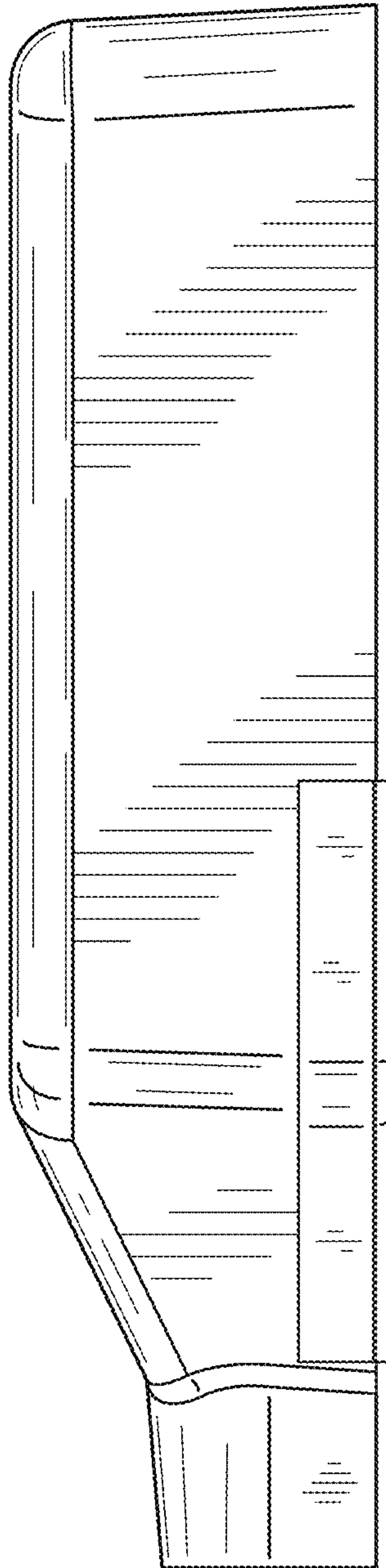


FIG. 6

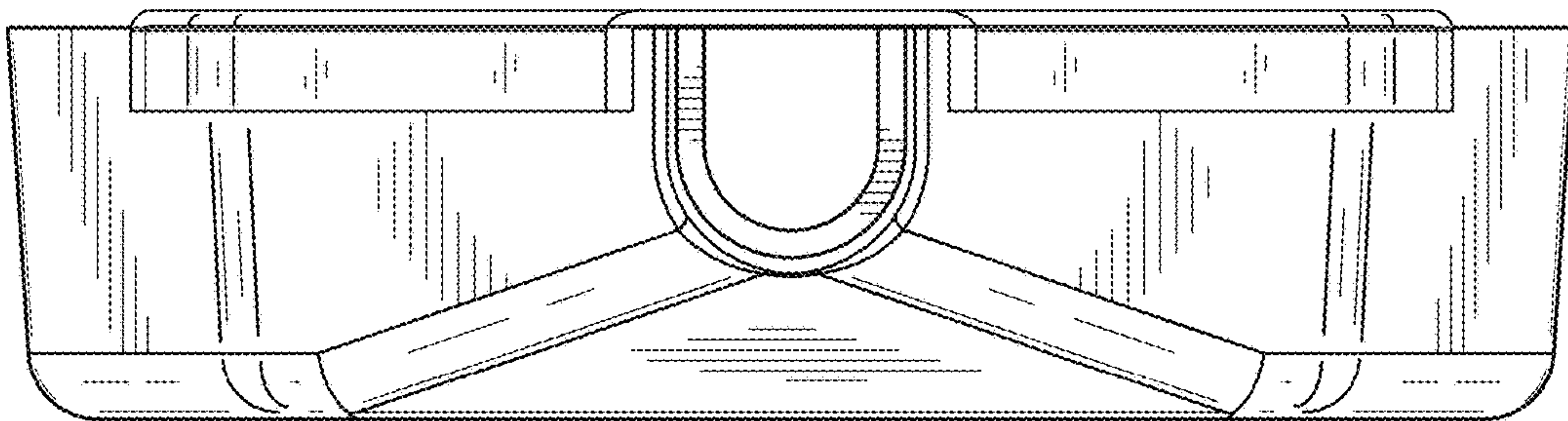


FIG. 7

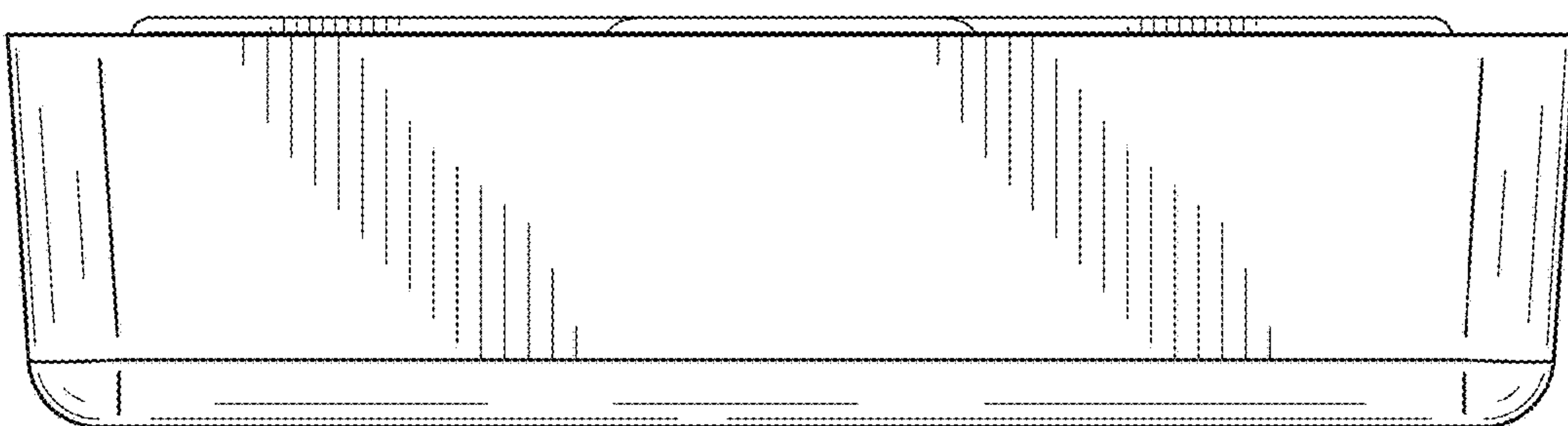


FIG. 8