



US00D799825S

(12) **United States Design Patent** (10) **Patent No.:** **US D799,825 S**
Bores (45) **Date of Patent:** **** Oct. 17, 2017**

(54) **CONTAINER**
(71) Applicant: **ENTEGRIS, INC.**, Billerica, MA (US)
(72) Inventor: **Gregory Bores**, Prior Lake, MN (US)
(73) Assignee: **Entegris, Inc.**, Billerica, MA (US)
(**) Term: **15 Years**

D287,691 S * 1/1987 Conti D7/317
5,482,161 A * 1/1996 Williams H01L 21/67369
141/98
D426,463 S * 6/2000 Landis, II D9/428
6,223,396 B1 * 5/2001 Wartenbergh H01L 21/67379
16/430
D473,788 S * 4/2003 Chen D9/425
D626,829 S * 11/2010 Touchet D9/428
D632,171 S * 2/2011 Grajcar D9/429
D695,111 S * 12/2013 Hansen B65D 85/8043
D9/429
D733,497 S * 7/2015 Sorensen D7/509
D753,482 S * 4/2016 Serrano D9/428
2016/0365265 A1 * 12/2016 Kirkland H01L 21/67346

(21) Appl. No.: **29/538,054**
(22) Filed: **Aug. 31, 2015**
(51) **LOC (10) Cl.** **03-01**
(52) **U.S. Cl.**
USPC **D3/302**; D3/905

(58) **Field of Classification Search**
USPC D3/201, 203.1, 203.2, 203.6, 203.7,
D3/203.8, 202, 204, 205, 206, 247, 272,
D3/273, 276, 281, 282, 292, 294, 315,
D3/901, 903, 904, 905; D9/600, 643,
D9/644, 645, 651, 655, 657, 420, 423,
D9/424, 425, 430, 431, 432, 443, 529,
D9/428, 429; D14/480.1, 480.2, 480.3,
D14/480.5; D34/17, 19; D7/612, 613,
D7/615, 317, 598, 629, 509
CPC A47B 31/00; A22C 7/0046; B65F 1/122;
B65D 19/004; F25D 3/08; A47G 23/04;
A47G 19/027; A47G 19/127; A47G
19/2288; A47G 19/285; A45J 41/00;
H01L 21/67379
See application file for complete search history.

* cited by examiner
Primary Examiner — Jennifer Rivard
Assistant Examiner — Jerry Hsu

(57) **CLAIM**

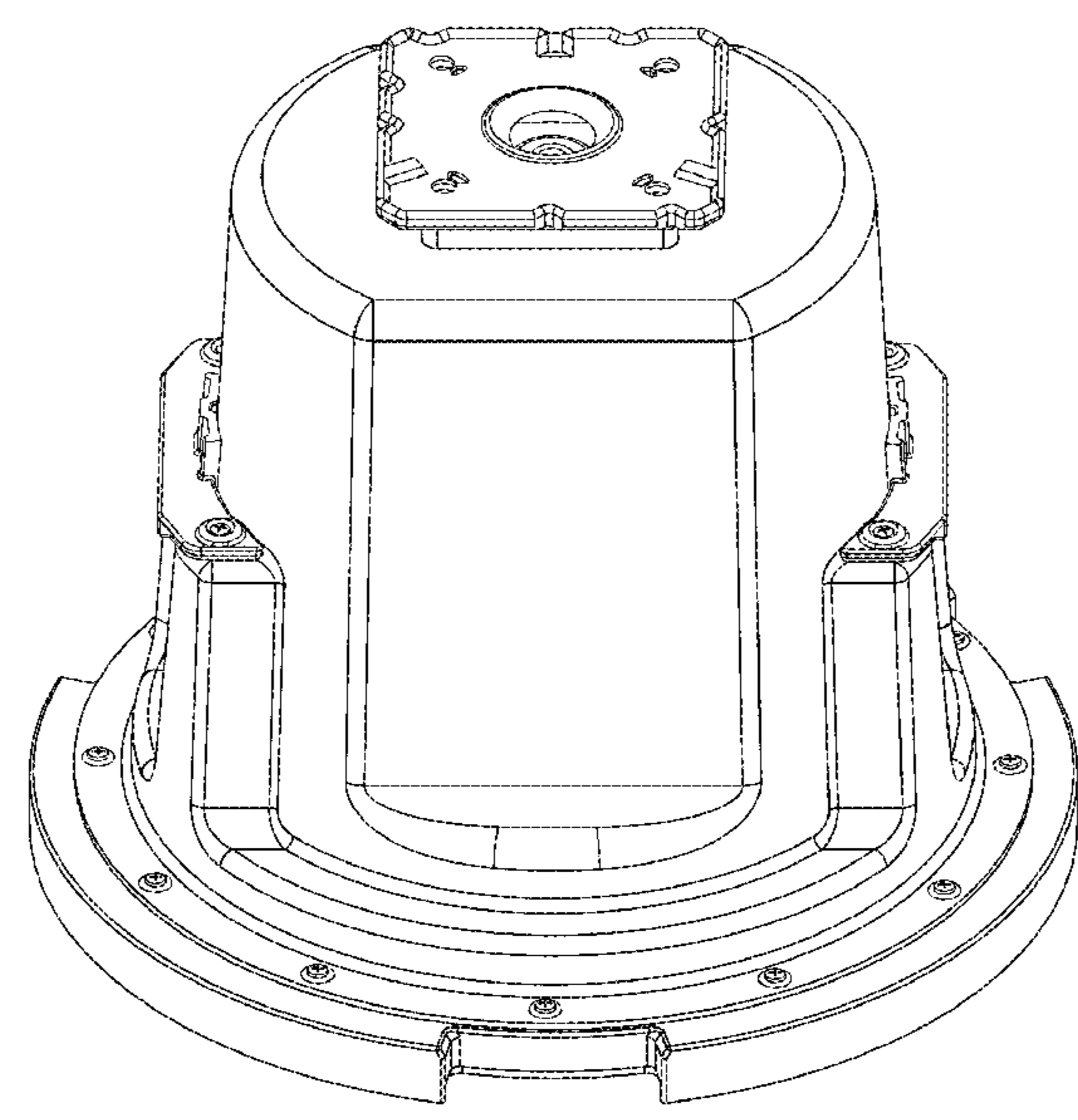
I claim the ornamental design for a container, as shown and described.

DESCRIPTION

FIG. 1 is a front perspective view of a container according to an embodiment of the invention.
FIG. 2 is a back perspective view of the container.
FIG. 3 is a right side perspective view of the container.
FIG. 4 is a rear left side perspective view of the container.
FIG. 5 is a left side perspective view of the container; and,
FIG. 6 is a top plan view of the container.
The bottom side of the container is not illustrated and is not part of the claimed invention.

(56) **References Cited**
U.S. PATENT DOCUMENTS
3,760,972 A * 9/1973 McKirnan A47G 19/12
206/515
D282,896 S * 3/1986 Conti D7/614

1 Claim, 6 Drawing Sheets



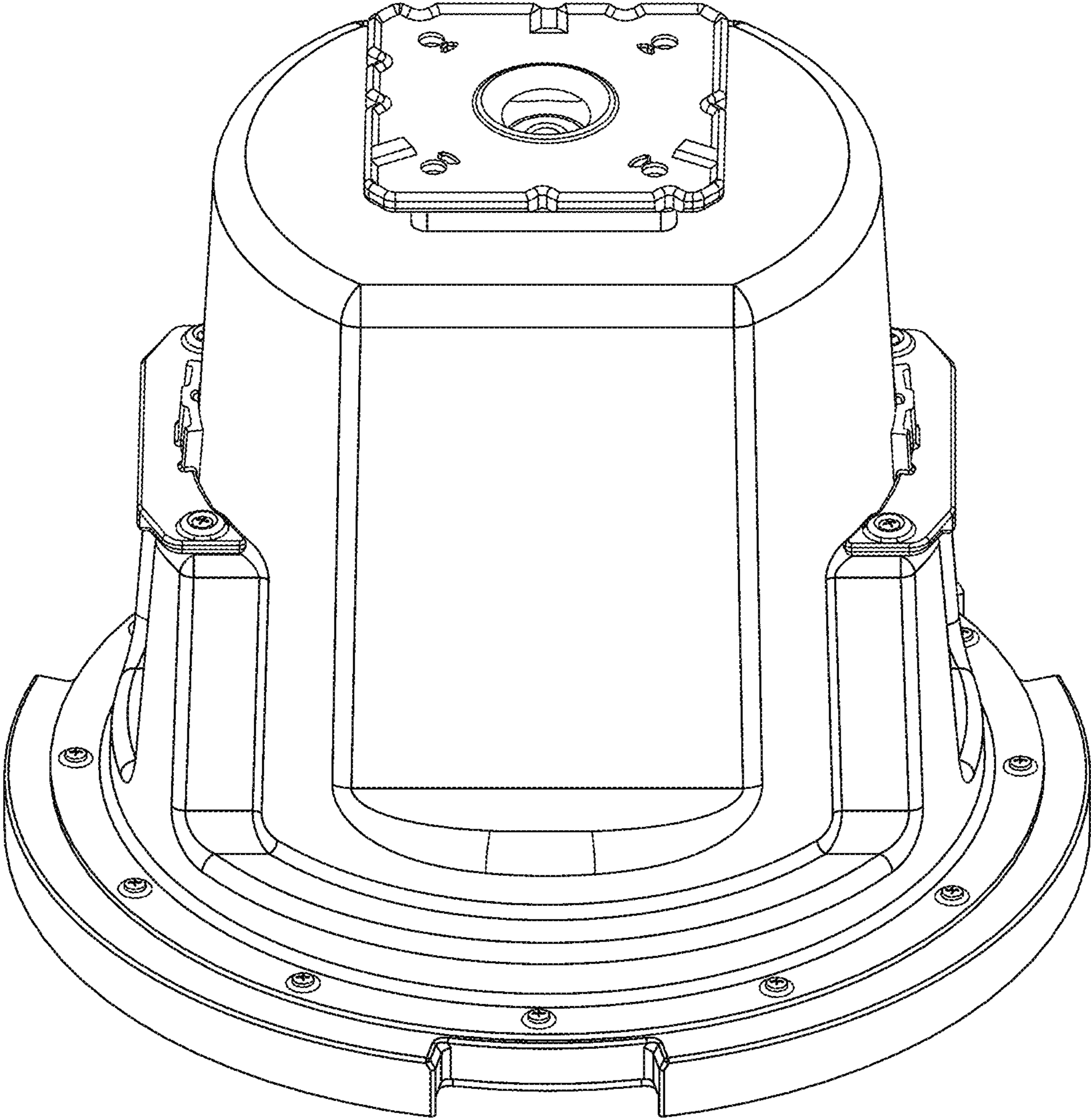


Fig. 1

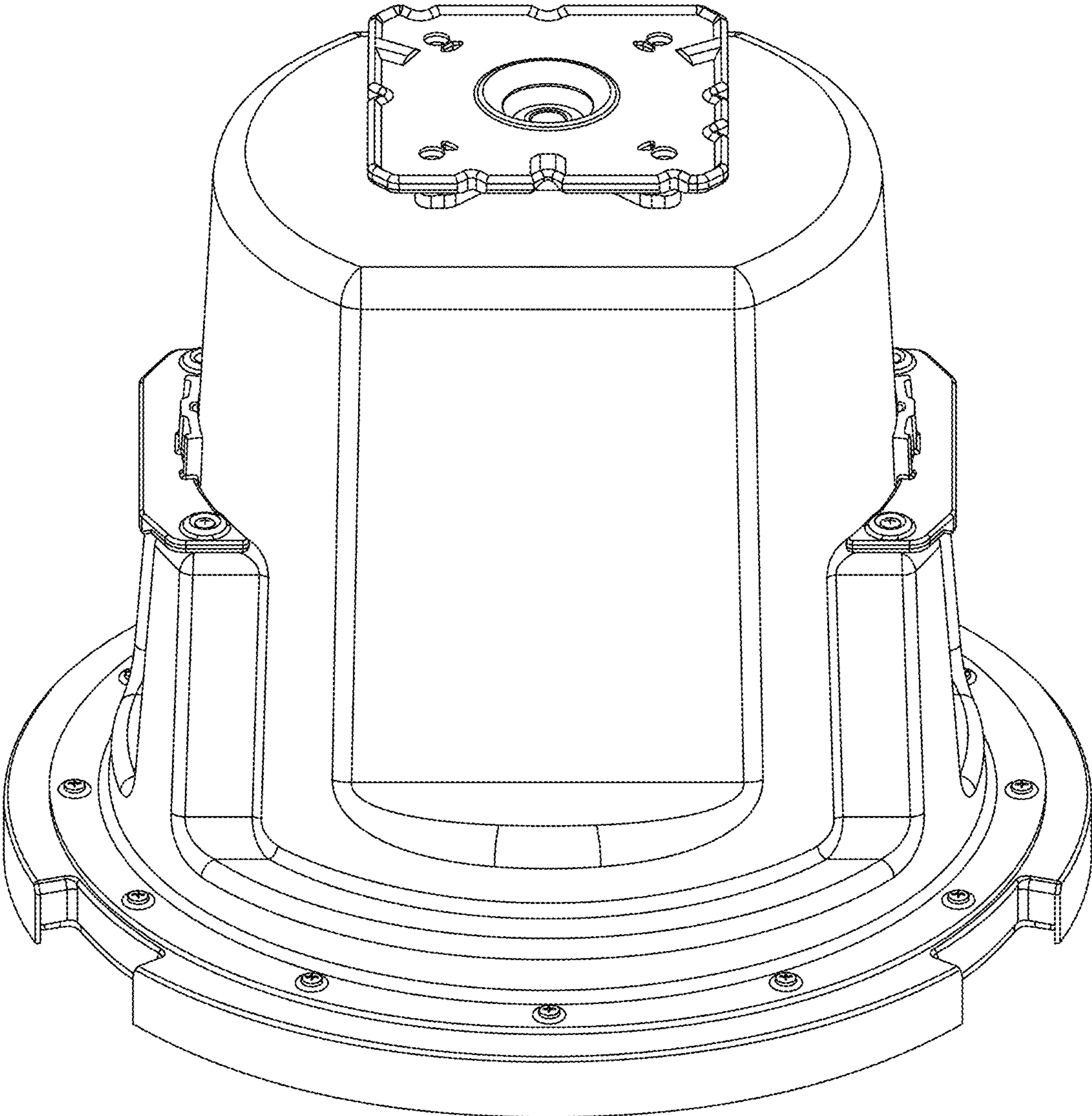


Fig. 2

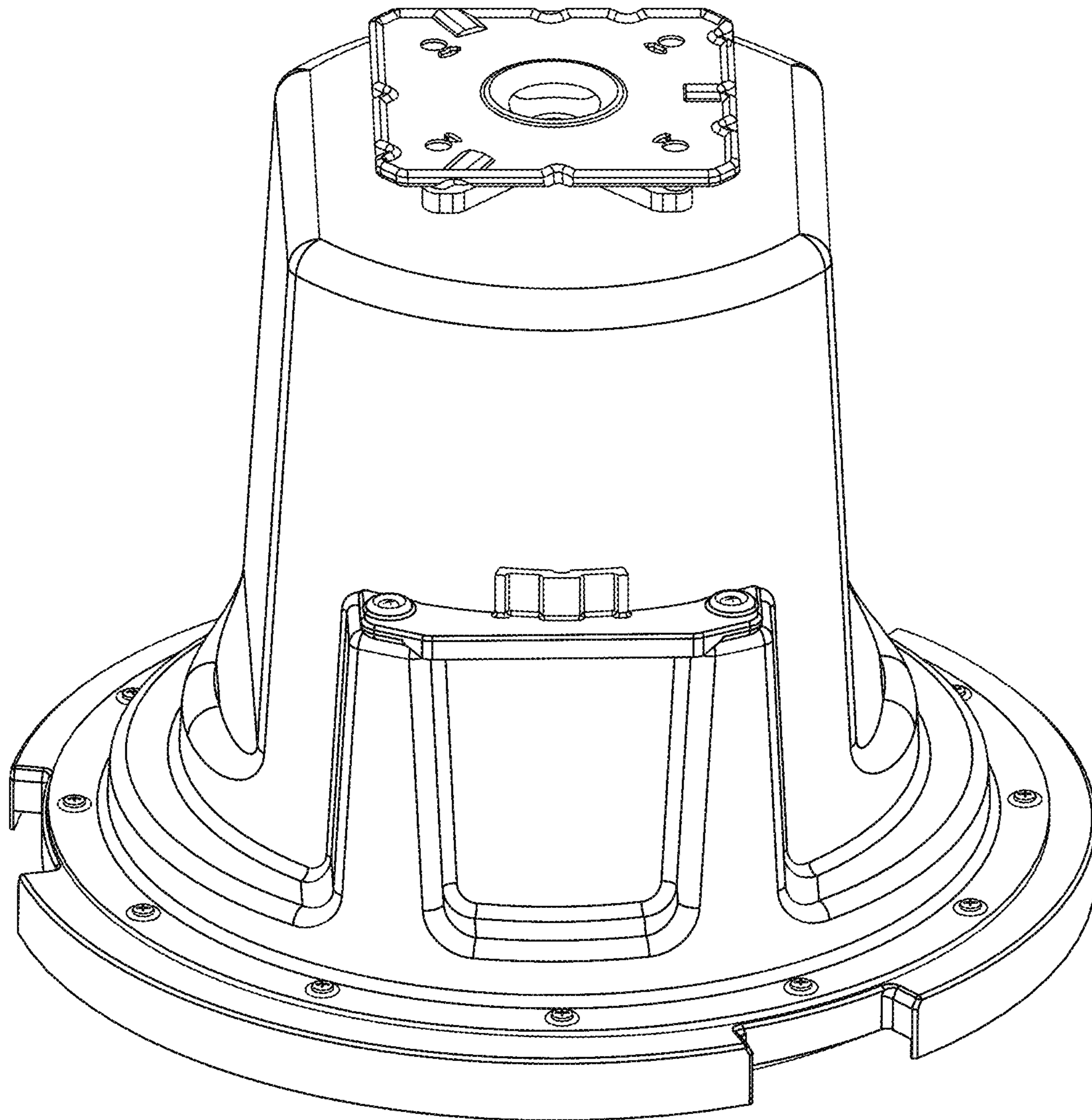


Fig. 3

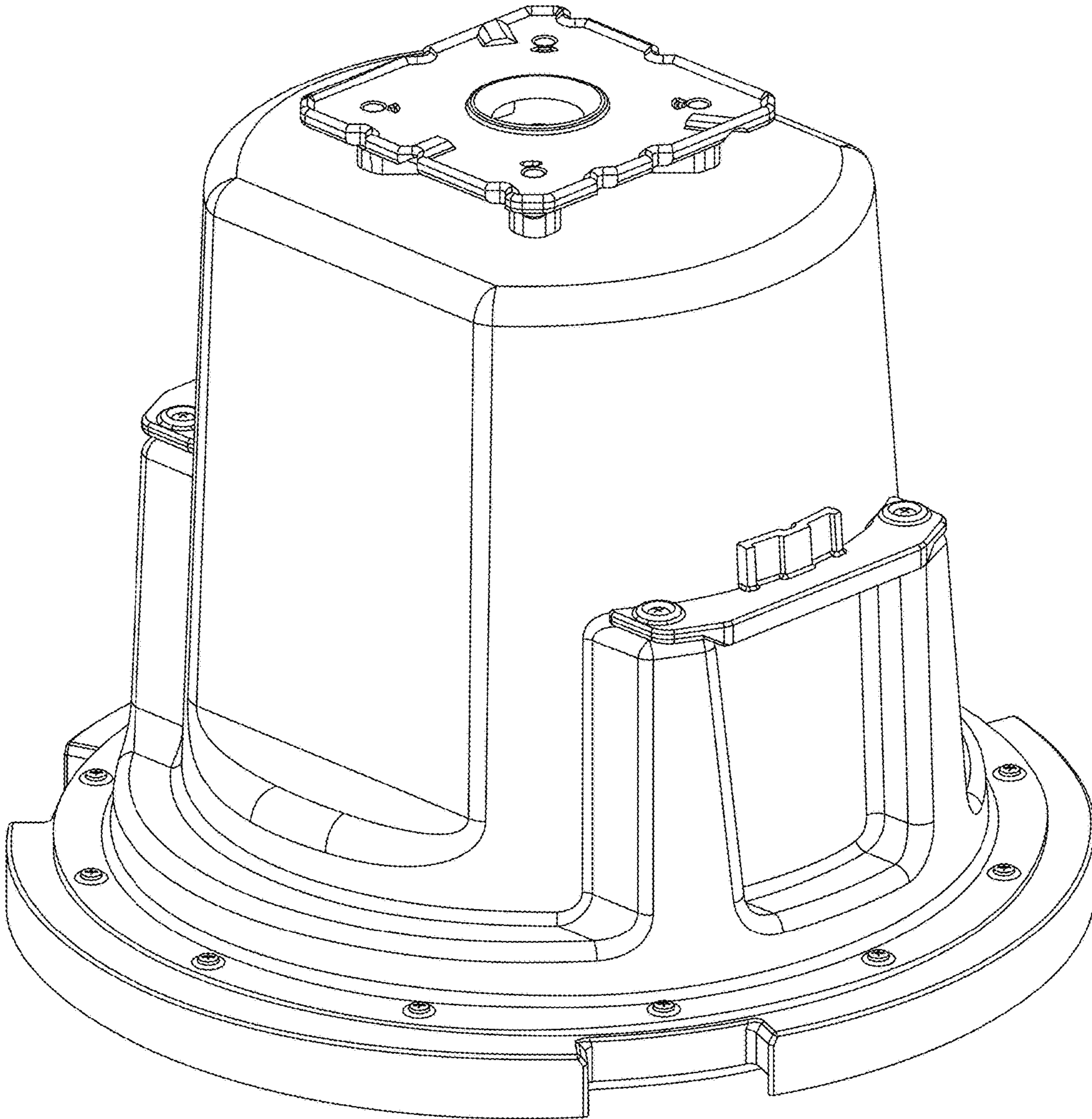


Fig. 4

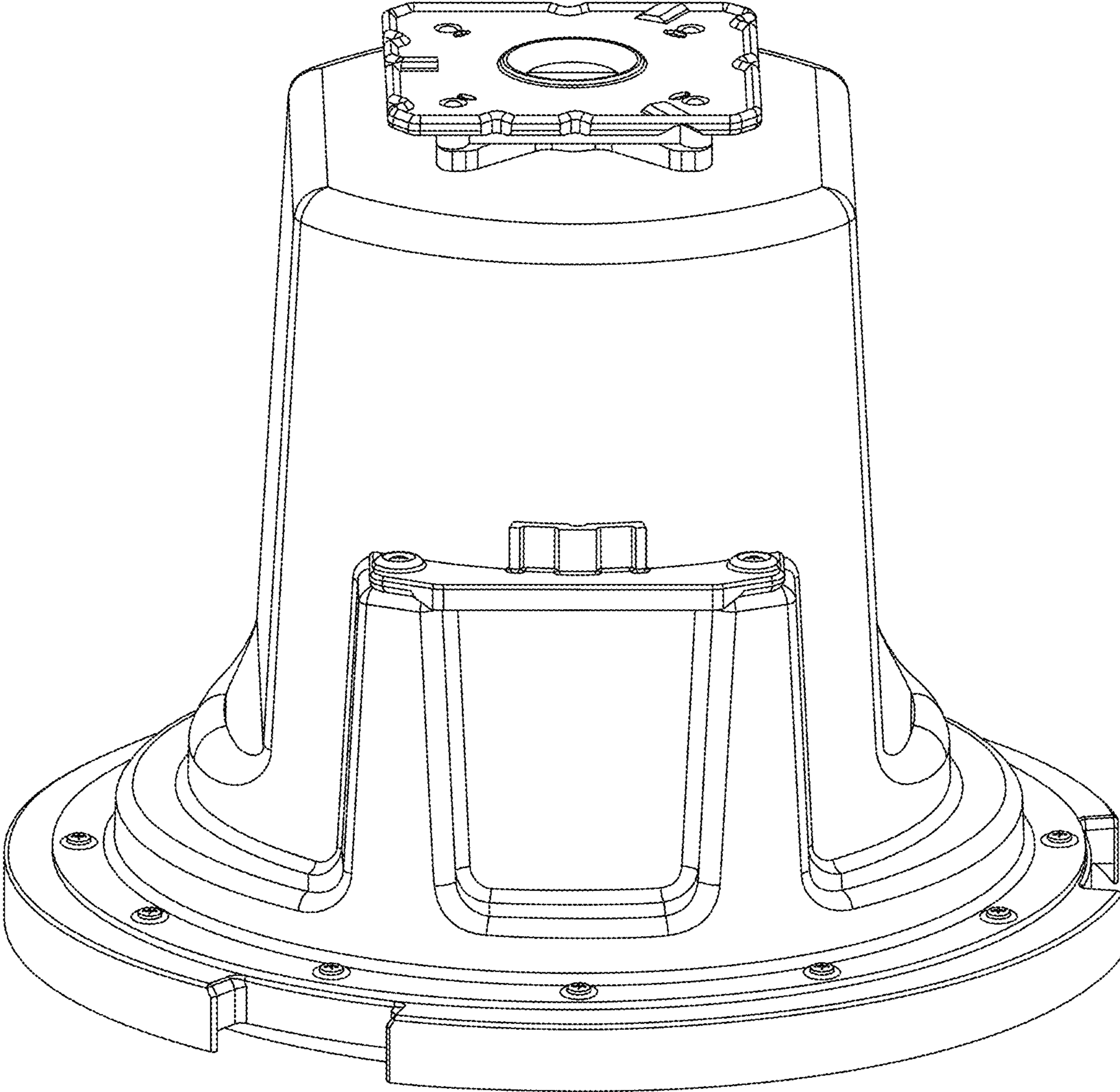


Fig. 5

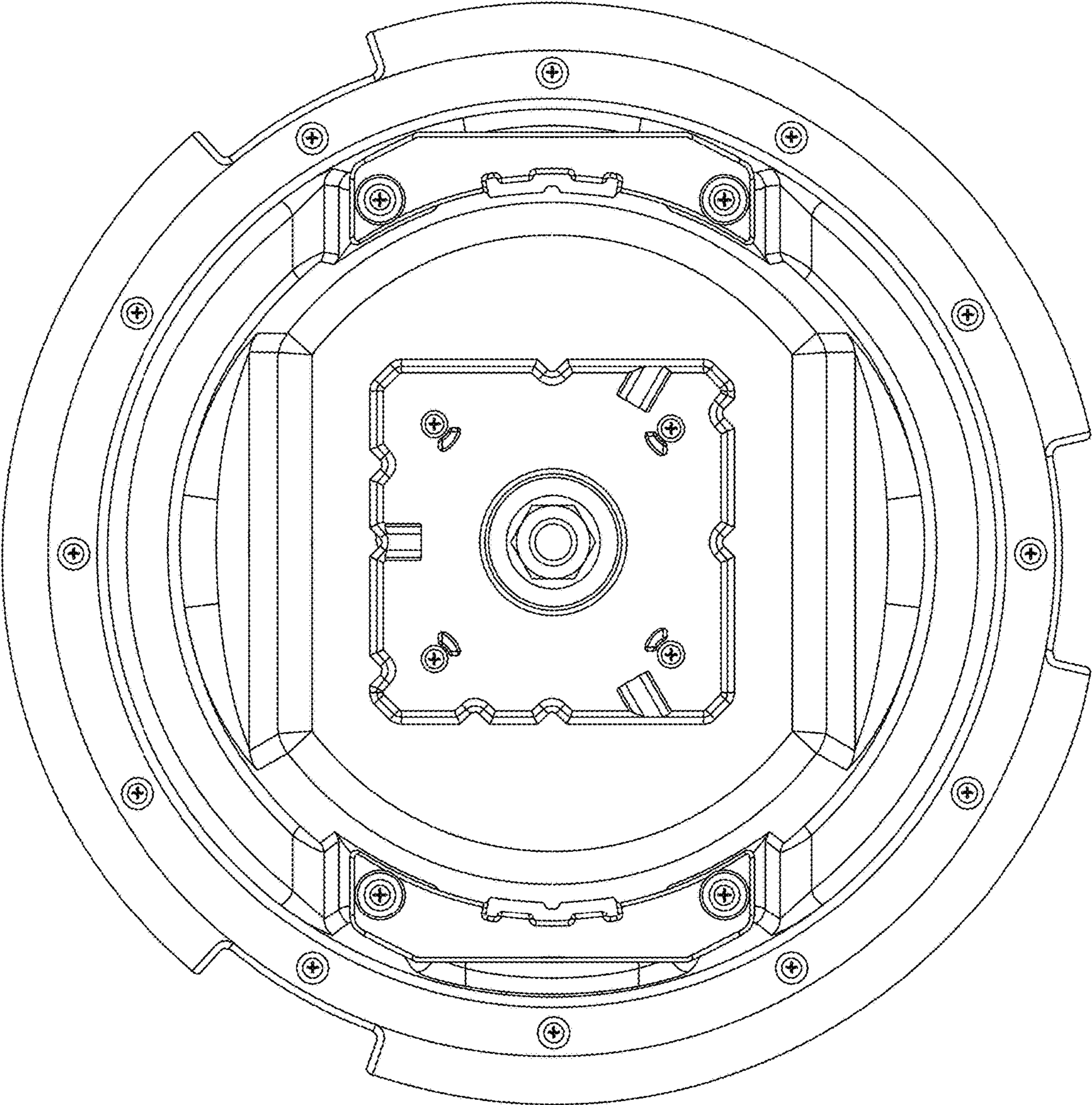


Fig. 6