



US00D799824S

(12) **United States Design Patent** (10) **Patent No.:** **US D799,824 S**
Cole et al. (45) **Date of Patent:** **** Oct. 17, 2017**

(54) **CARRYING DEVICE**
(71) Applicant: **UGOWEAR, LLC**, Prior Lake, MN (US)
(72) Inventors: **Melanie Cole**, Prior Lake, MN (US); **Vicky DeRouchey**, Prior Lake, MN (US)
(73) Assignee: **UGOWEAR, LLC**, Prior Lake, MN (US)
(**) Term: **15 Years**
(21) Appl. No.: **29/531,516**
(22) Filed: **Jun. 26, 2015**
(51) **LOC (10) Cl.** **03-01**
(52) **U.S. Cl.**
USPC **D3/301**
(58) **Field of Classification Search**
USPC D3/234, 255, 271.9, 320, 256, 262, 279, D3/299, 301, 303, 318, 319, 273, 289, D3/292, 294-296, 232, 244; D9/420, 424
CPC .. A45C 1/00; A45C 1/02; A45C 1/024; A45C 1/08; A45C 3/00; A45C 3/10; A45C 2003/001; A45C 2011/003; A45C 5/00; A45C 7/00; A45C 7/0018; A45C 7/0054; A45C 7/0059; A45C 7/0095; A45C 2200/00; A45C 13/00; A45C 13/001; A45C 13/002; A45C 13/08; A45C 11/24; A45F 3/00; A45F 3/02; A45F 3/04; A45F 3/06; A45F 2003/001; A45F 2003/002; A45F 2003/006; A45F 2200/00; A45F 2200/0525
See application file for complete search history.

D632,079 S * 2/2011 Spencer D3/301
D645,251 S * 9/2011 Lee D3/301
D665,170 S * 8/2012 Lipfert D3/289
D669,270 S * 10/2012 Phillips D3/301
D685,187 S * 7/2013 Willows D3/301
D707,963 S * 7/2014 Szewczyk D3/232
D713,642 S * 9/2014 Krauss D3/301
D724,843 S * 3/2015 Abbott D3/301
D748,915 S * 2/2016 Reyes D3/301
D754,969 S * 5/2016 Godshaw D3/299

OTHER PUBLICATIONS

UGOWEAR, Cover Photo, "https://www.facebook.com/ugowear. WaterproofPhoneCase.DryBag/photos/a.791347190927851. 1073741827.328188440577064/933568716705697/?type=3&theater" posted online Jun. 3, 2015 (retrieved Mar. 17, 2017).* U.S. Appl. No. 62/115,171, filed Feb. 12, 2015.

* cited by examiner

Primary Examiner — Sandra Snapp
Assistant Examiner — Holly E Thurman
(74) *Attorney, Agent, or Firm* — The Dobrusin Law Firm, P.C.

(57) **CLAIM**

The ornamental design for a carrying device, as shown and described.

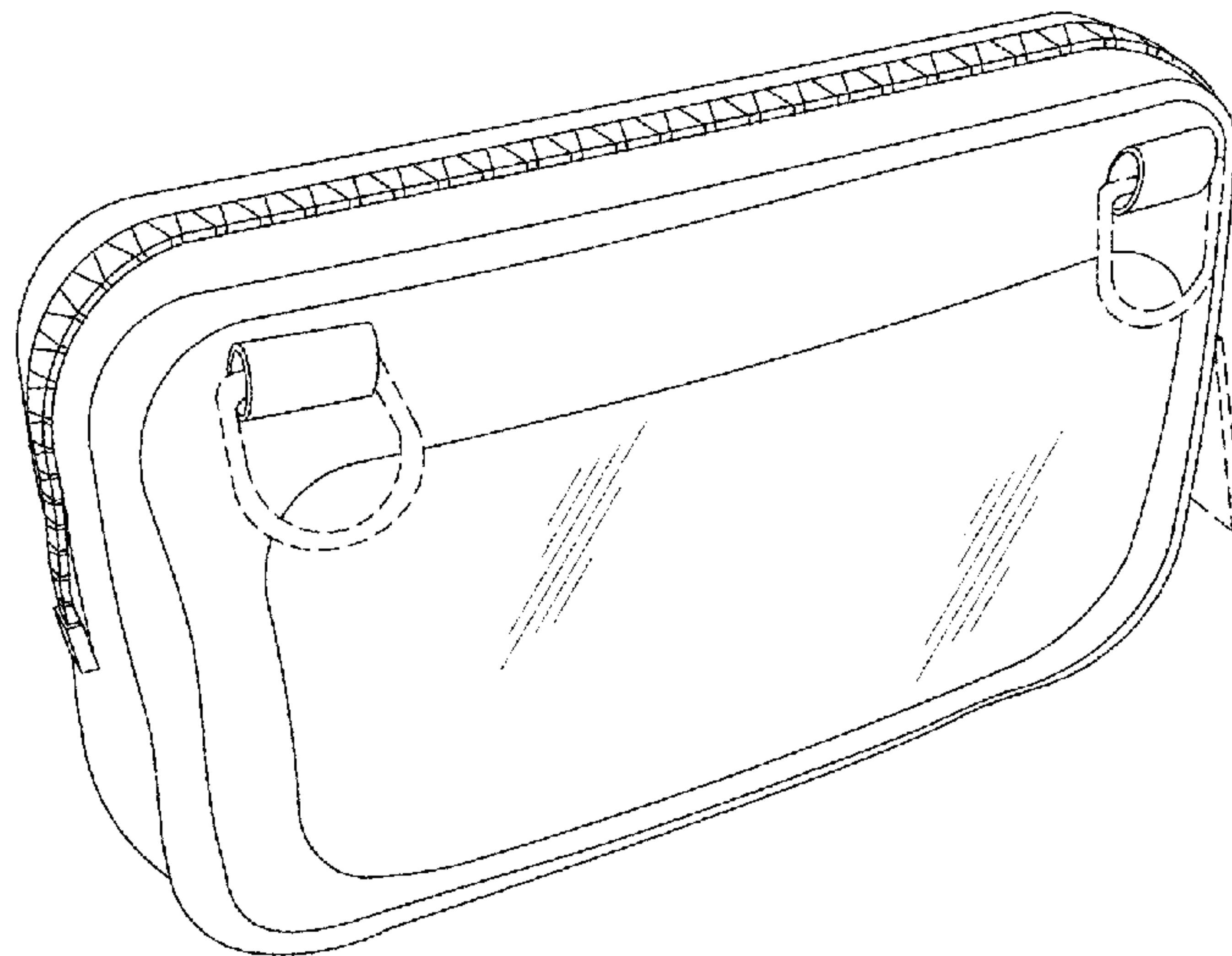
DESCRIPTION

FIG. 1 is a perspective view of the present invention. FIG. 2 is a front elevational view thereof. FIG. 3 is a rear elevational view thereof. FIG. 4 is a side profile view thereof. FIG. 5 is an opposing side profile view thereof. FIG. 6 is a top-down view thereof; and, FIG. 7 is a bottom-up view thereof. The broken lines showing environment in the drawings are for illustrative purposes only and form no part of the claimed design.

(56) **References Cited**
U.S. PATENT DOCUMENTS

D479,041 S * 9/2003 Fonfeder D3/206
D490,238 S * 5/2004 Bristel D3/226

1 Claim, 3 Drawing Sheets



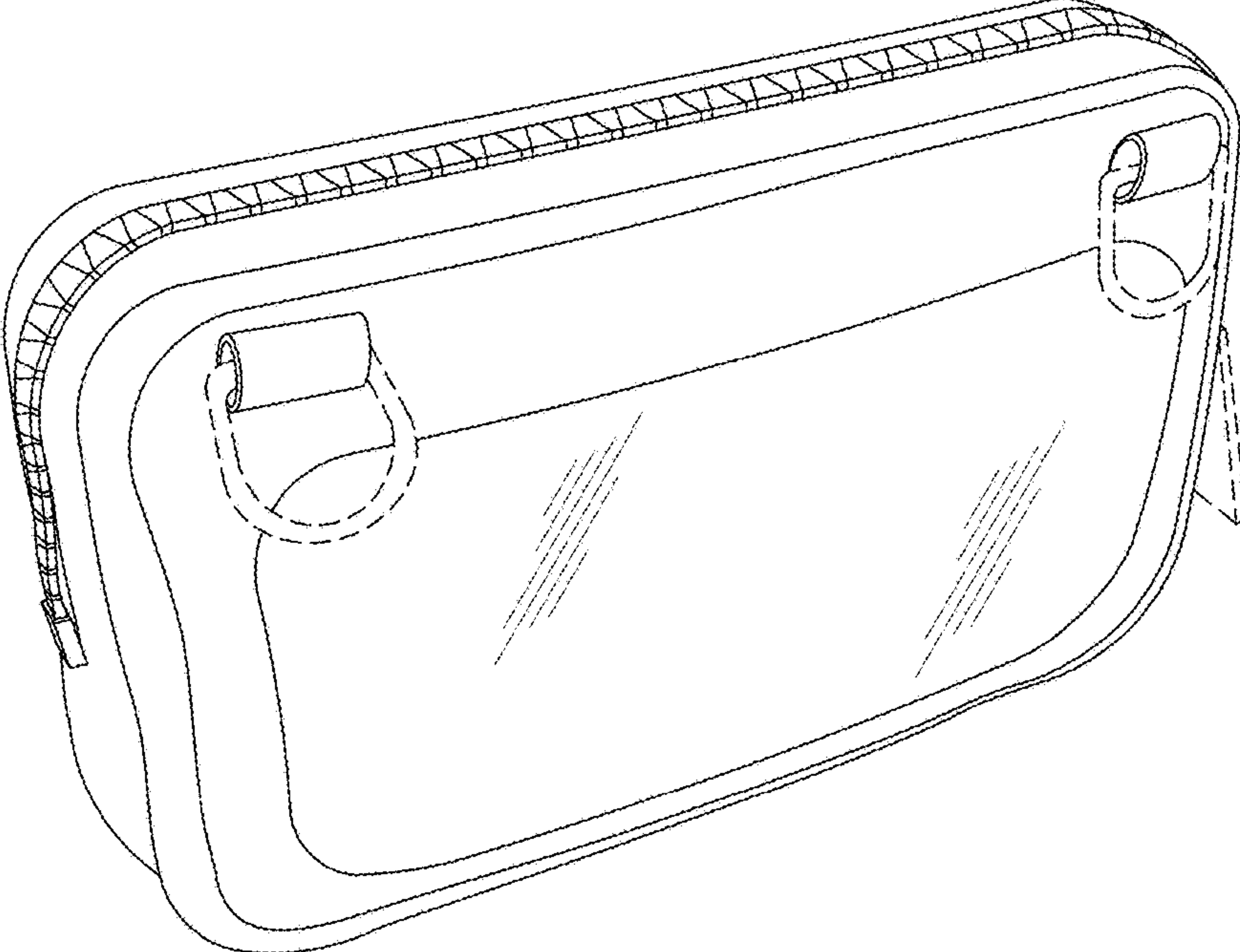


Fig 1

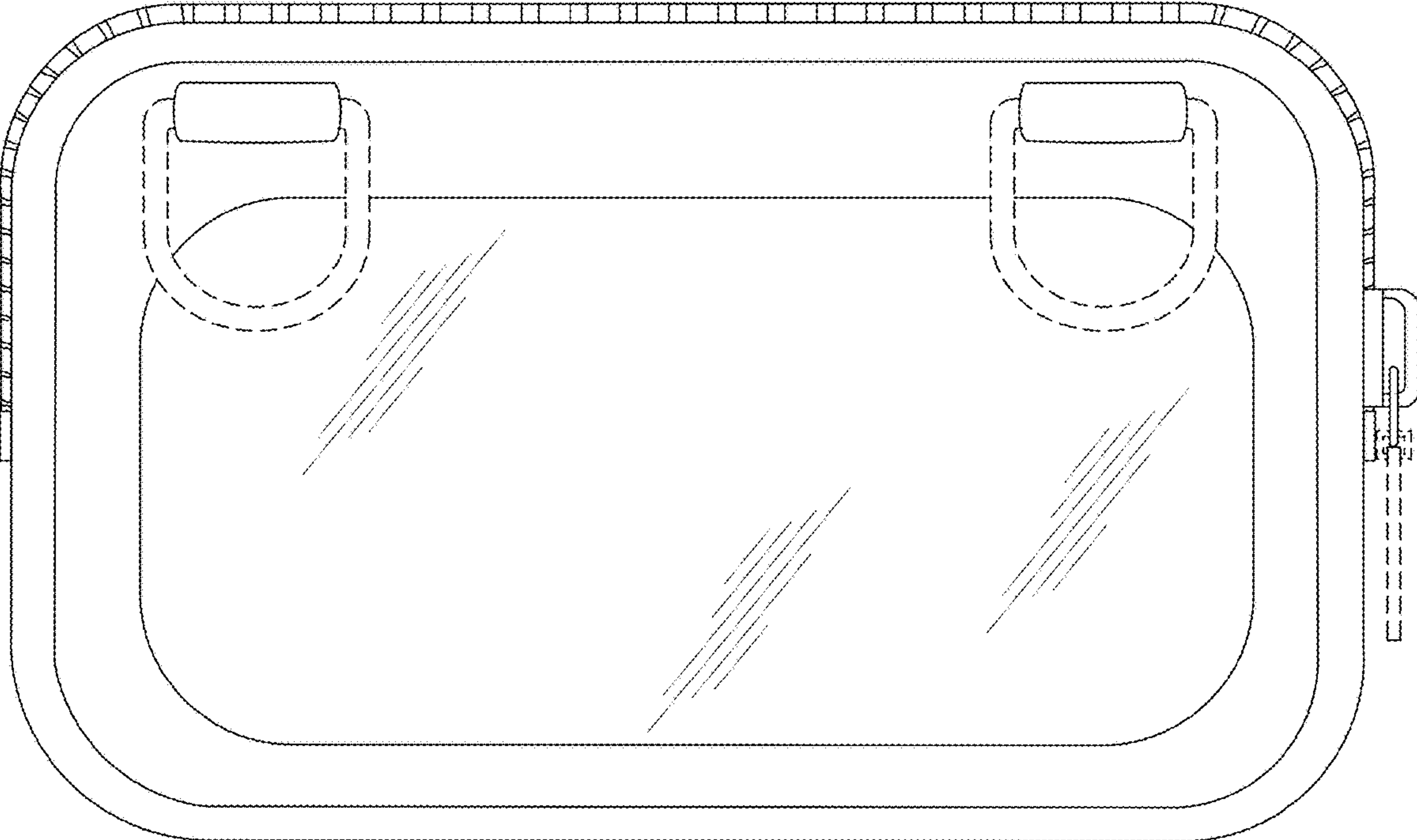


Fig 2

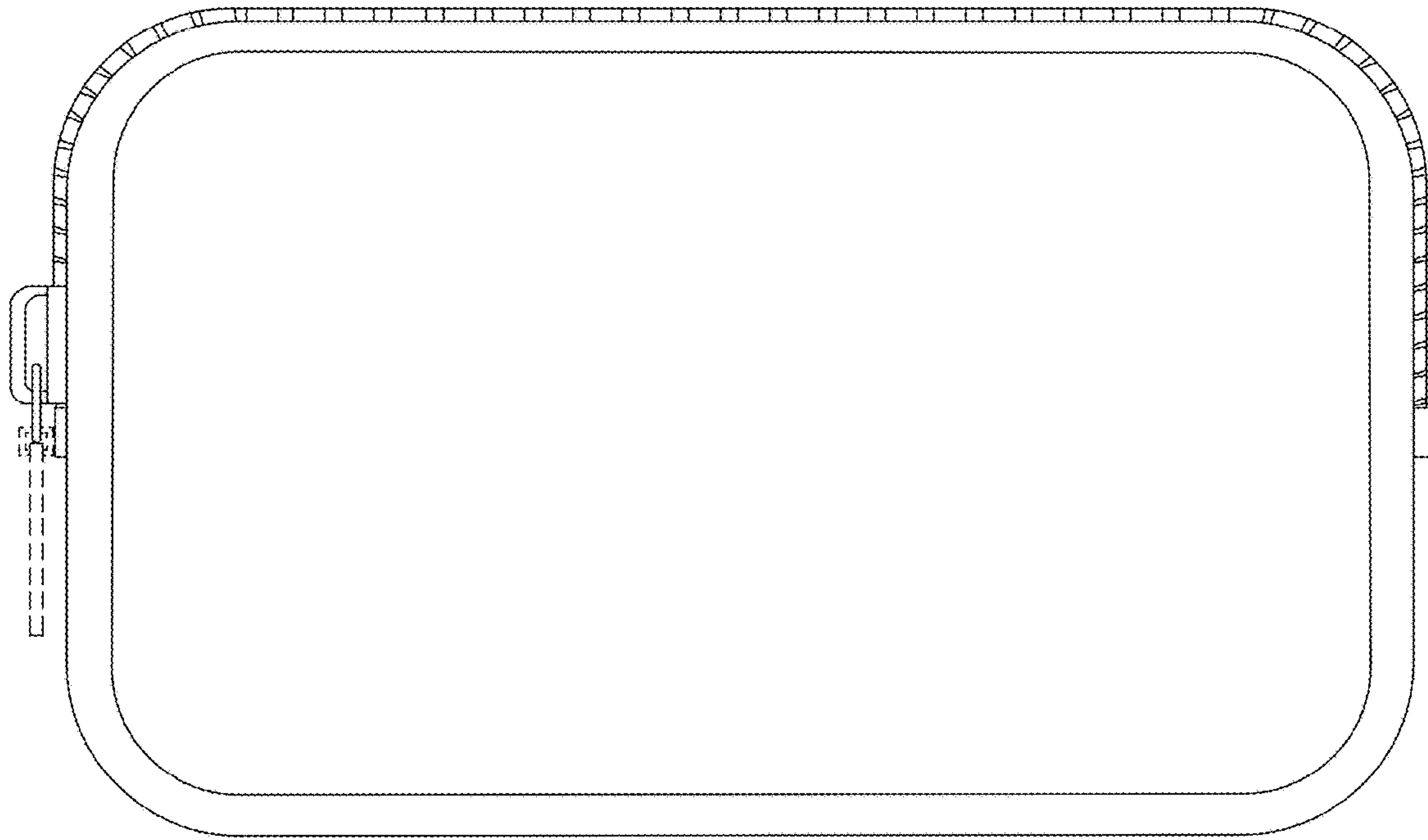


Fig 3

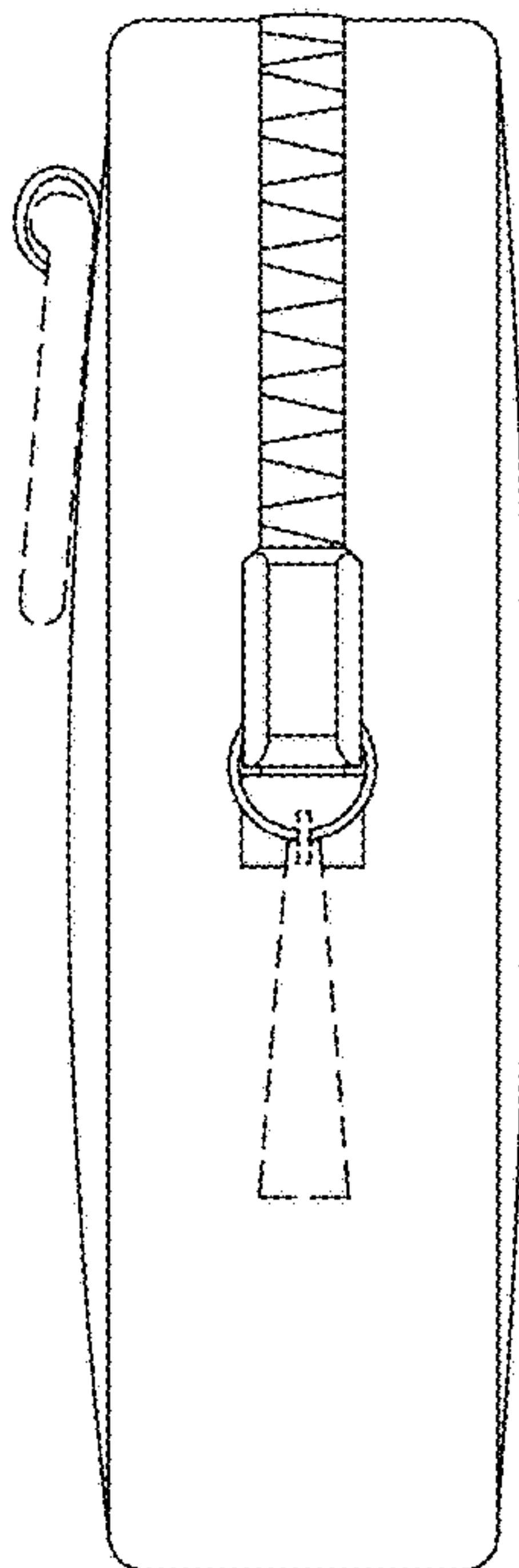


Fig 4

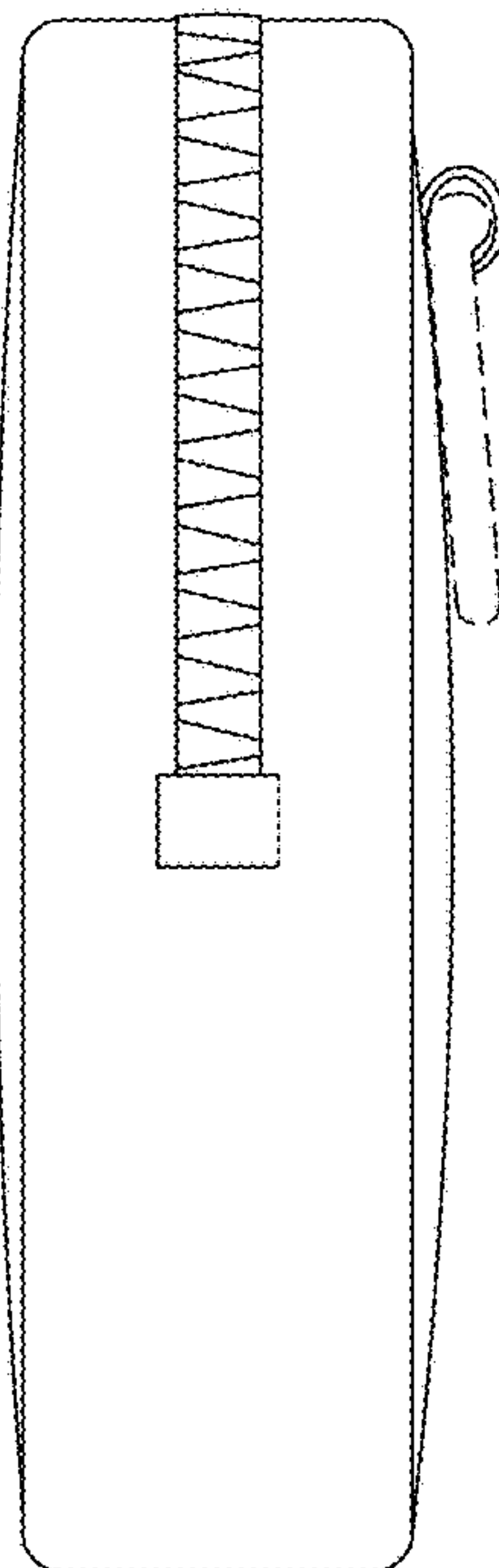


Fig 5

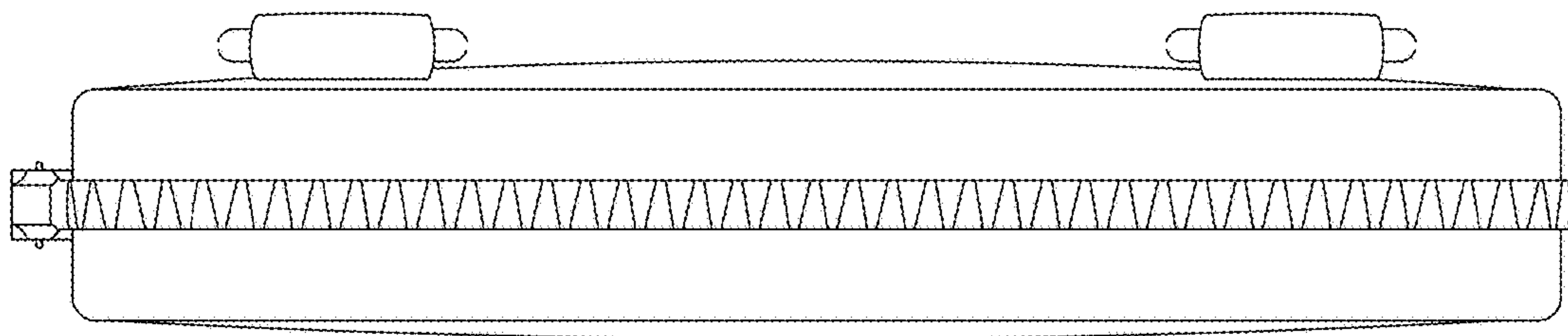


Fig 6

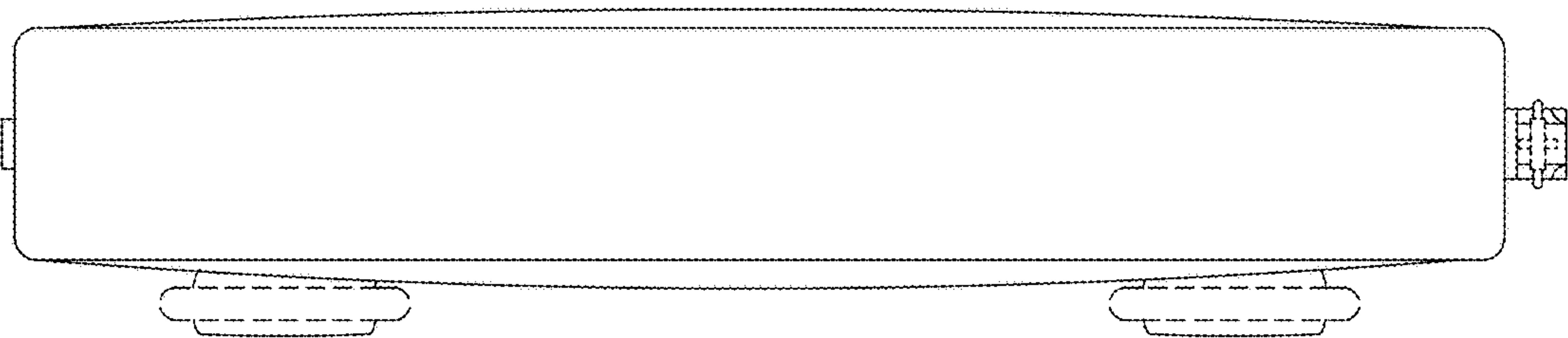


Fig 7