



US00D799823S

(12) **United States Design Patent** (10) **Patent No.:** **US D799,823 S**
Schartle (45) **Date of Patent:** **** Oct. 17, 2017**

(54) **LAPTOP AND FILE CASE**
(71) Applicant: **Allen Christopher Schartle**, Bremen, GA (US)
(72) Inventor: **Allen Christopher Schartle**, Bremen, GA (US)
(**) Term: **15 Years**
(21) Appl. No.: **29/545,577**
(22) Filed: **Nov. 13, 2015**
(51) **LOC (10) Cl.** **03-01**
(52) **U.S. Cl.**
USPC **D3/285**; D3/289
(58) **Field of Classification Search**
USPC D3/212, 225, 226, 227, 230, 255, 259, D3/276, 272, 273, 283, 284, 285, 286, D3/287, 289, 290, 294, 295, 300, 301, D3/303, 304, 312, 313, 315, 900, 901, D3/903, 904, 905, 254, 260, 233, 204, D3/262; D7/607, 603, 701; D19/102, D19/106, 107, 86
CPC A47B 63/00; A47B 63/02; A47B 63/06; B65D 1/00; B65D 1/22; B65D 1/24; B65D 1/30; B65D 5/48; A45C 11/08; A45C 11/16; A45C 11/20; A45C 11/24; A45C 11/26; A45C 11/36; A45C 11/38; A45C 3/001; A45C 3/00; A45C 3/02; A45C 3/04; A45C 3/12; A45C 2003/002; A45C 2003/007; A45C 2003/008; A45C 2005/10; A45C 2005/032; A45C 2005/035; A45C 2005/037; A45C 5/00; A45C 5/04; A45C 5/06; A45C 2013/025
See application file for complete search history.

D380,612 S * 7/1997 Kelley D3/276
D382,771 S * 8/1997 Mogil D7/607
5,996,749 A 12/1999 Hillsberg
6,305,587 B1 10/2001 Miller
(Continued)

OTHER PUBLICATIONS

Amazon. "pureGLO Essential Oil Carrying Case." First reviewed Apr. 29, 2016. Retrieved Sep. 22, 2016. (<https://www.amazon.com/pureGLO%ADEssential%ADOil%ADCarrying%ADCase/dp/B01E85MPQ4/>).*

(Continued)

Primary Examiner — Jennifer Rivard
Assistant Examiner — Jerry Hsu
(74) *Attorney, Agent, or Firm* — Jones IP Law, LLC; Dennis W. Jones

(57) **CLAIM**

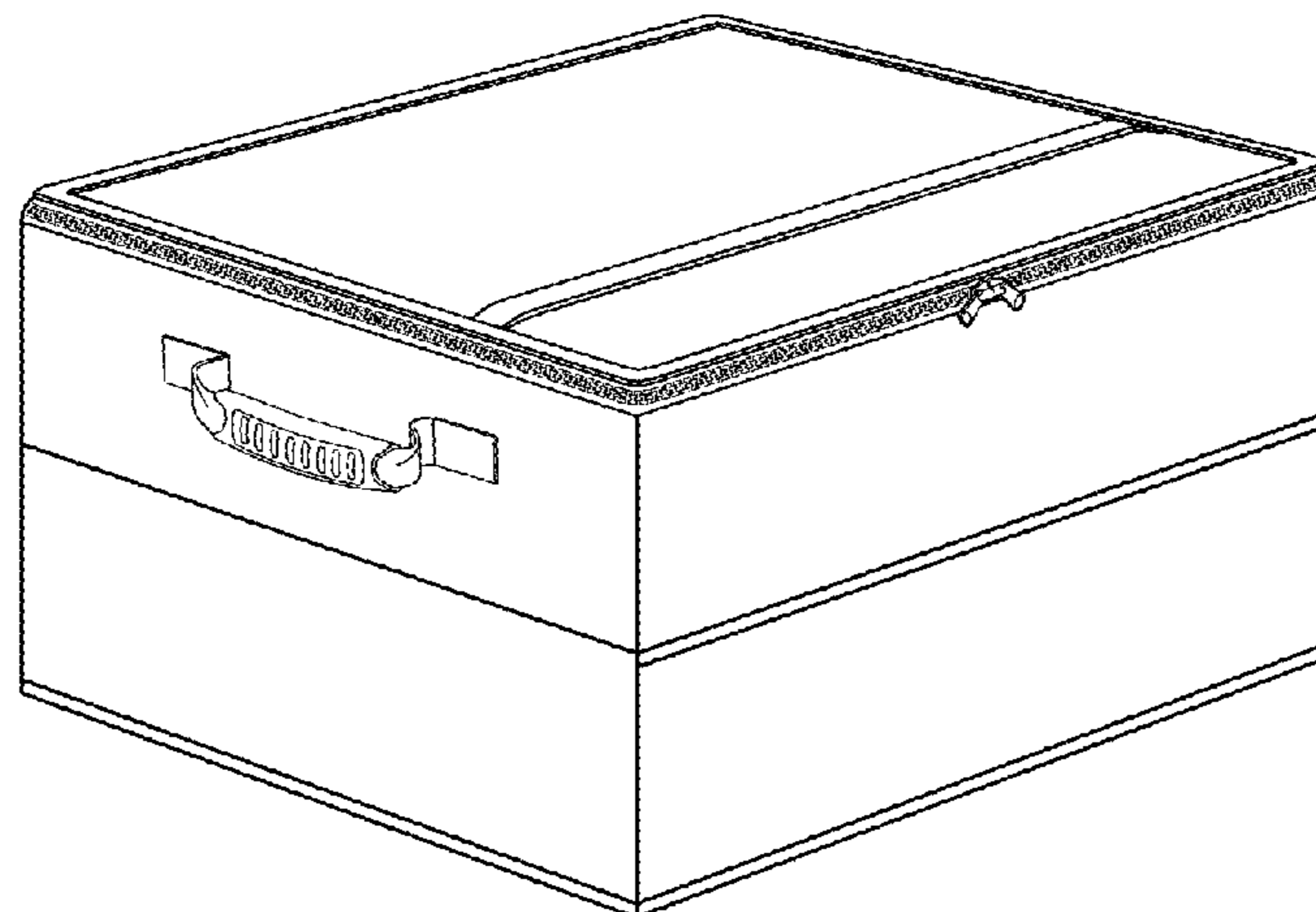
The ornamental design for a laptop and file case, as shown and described.

DESCRIPTION

FIG. 1 is a front perspective view of a laptop and file case; FIG. 2 is a front perspective view thereof with an open lid; FIG. 3 is a top plan view thereof with an open lid; FIG. 4 is a front elevation view of the laptop and file case; FIG. 5 is a rear elevation view thereof; FIG. 6 is a left side elevation view thereof; FIG. 7 is a right side elevation view thereof; FIG. 8 is a top plan view thereof with a closed lid; and, FIG. 9 is a bottom plan view thereof. In FIG. 2 and FIG. 3, the evenly spaced broken lines illustrate the environment and the dash-dot broken lines illustrate the bounds of the claim. None of the broken lines forms part of the claimed design.

1 Claim, 5 Drawing Sheets

(56) **References Cited**
U.S. PATENT DOCUMENTS
3,912,055 A 10/1975 Malooly
5,010,988 A * 4/1991 Brown A45C 3/00
190/104



(56)

References Cited

U.S. PATENT DOCUMENTS

6,347,706	B1 *	2/2002	D'Ambrosio	A45C 11/20 206/232
D583,152	S *	12/2008	Keeney	D3/301
D598,194	S *	8/2009	Turvey	D3/289
D619,854	S *	7/2010	Koehler	D7/607
7,815,024	B1 *	10/2010	Quimpo	A45C 7/0036 190/107
D665,169	S *	8/2012	Filip	D3/283
8,292,119	B2 *	10/2012	Kenneally	F25D 3/125 220/315
D685,575	S *	7/2013	Cullen	D3/272
8,522,939	B2	9/2013	Rowe		
2010/0282556	A1 *	11/2010	Tseng	A45C 7/0077 190/107
2015/0122810	A1 *	5/2015	Yang	A45C 3/00 220/9.4

OTHER PUBLICATIONS

The Container Store. "Grey Storage Bags." First reviewed Feb. 13, 2010. Retrieved Sep. 26, 2016. (<http://www.containerstore.com/s/closet/storage-bags/grey-storage-bags/12d?productId=10024282>).*

The Laundress. "Storage Bag Bundle." Archived Aug. 20, 2014. Retrieved Oct. 6, 2016. (<https://web.archive.org/web/20140820151801/http://www.thelaundress.com/storage-bag-bundle>).*

* cited by examiner

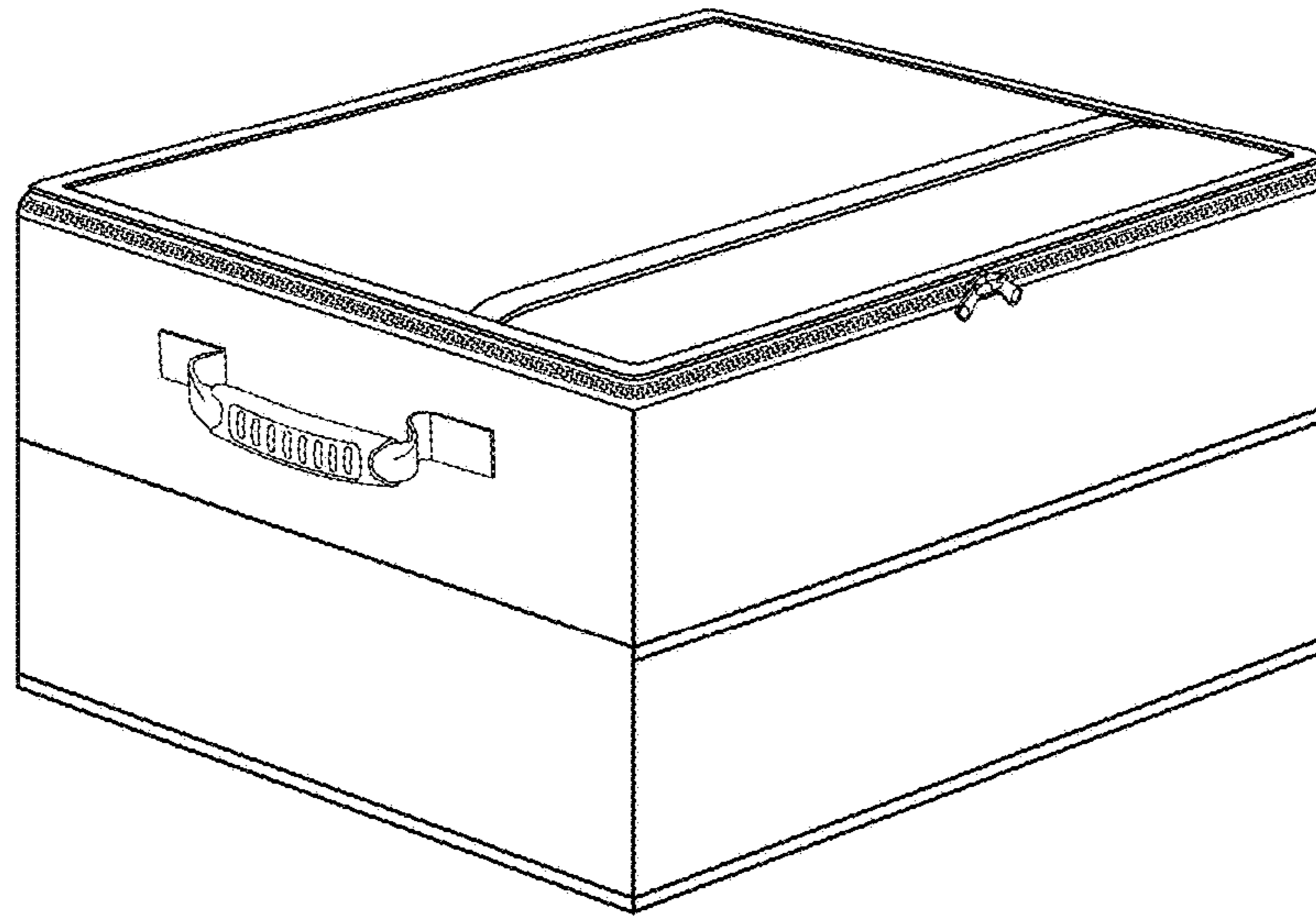


Fig. 1

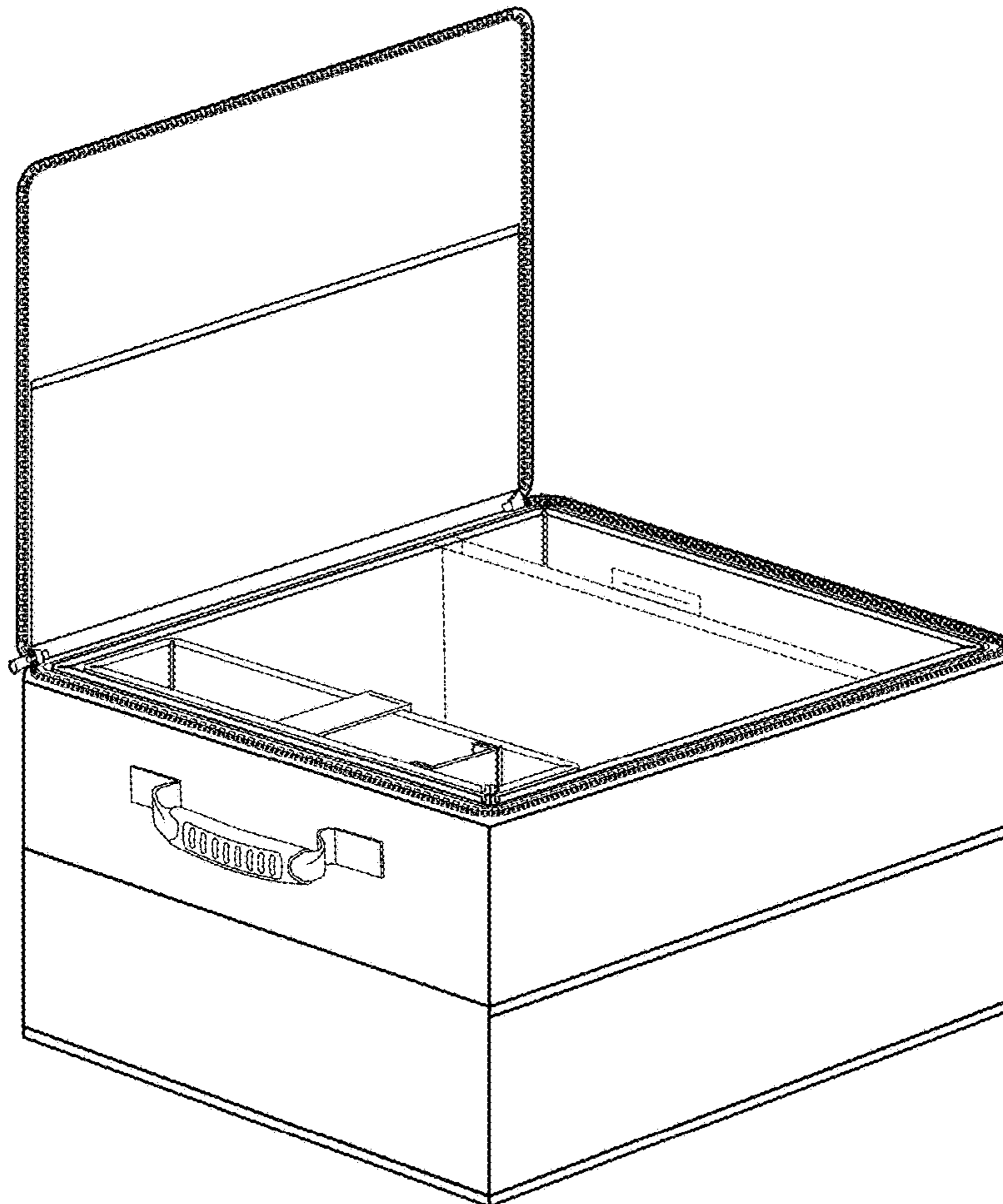


Fig. 2

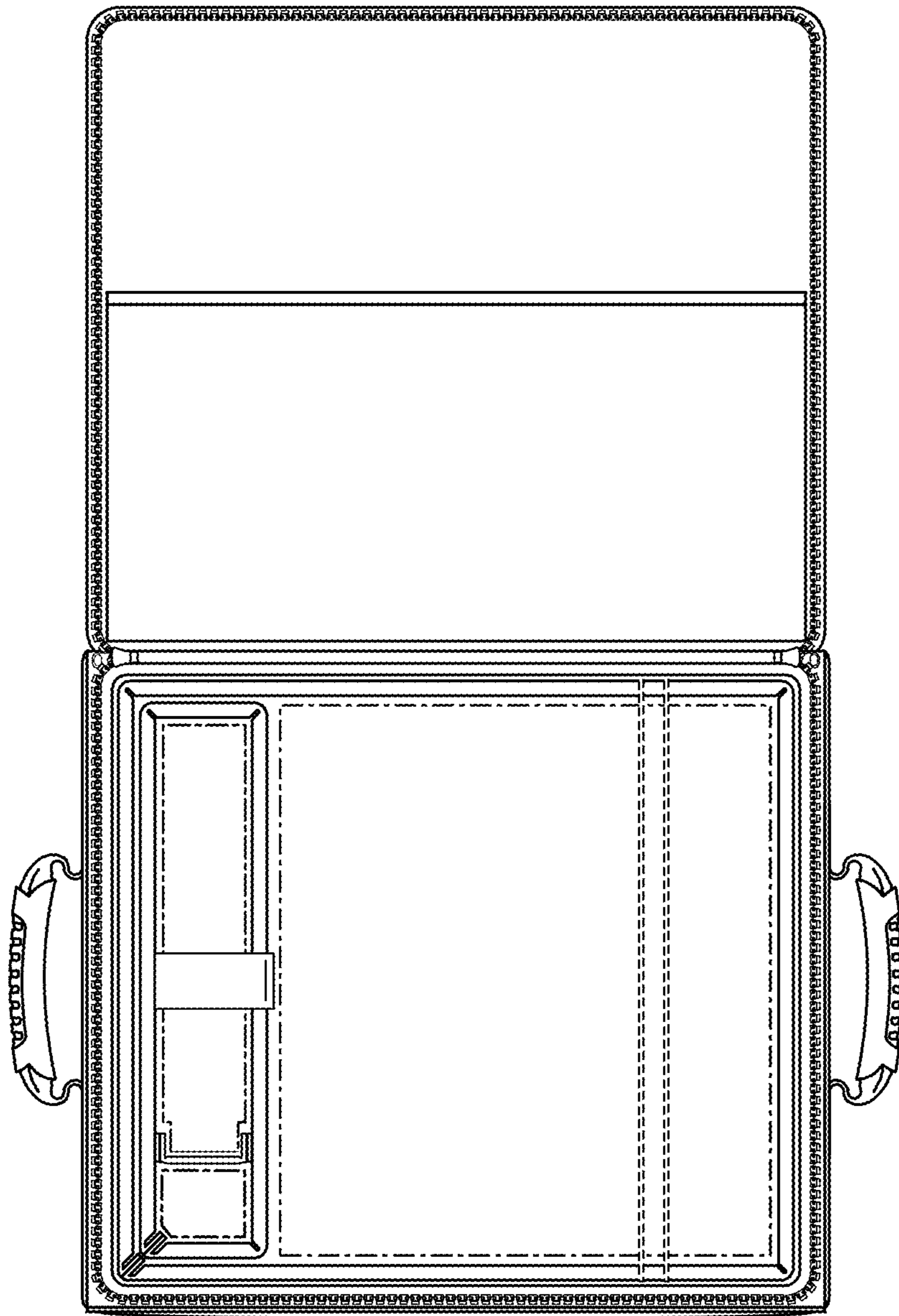


Fig. 3

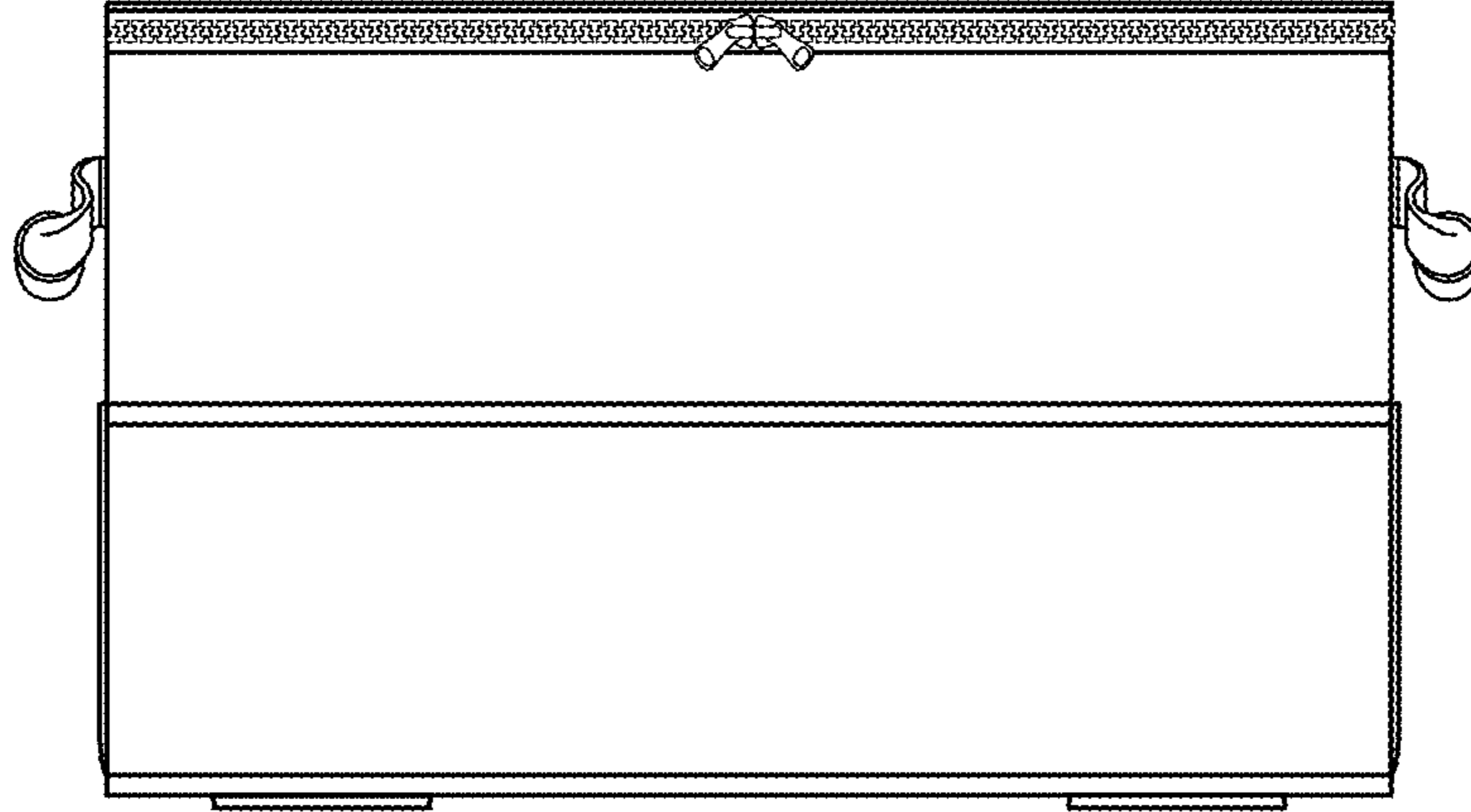


Fig. 4

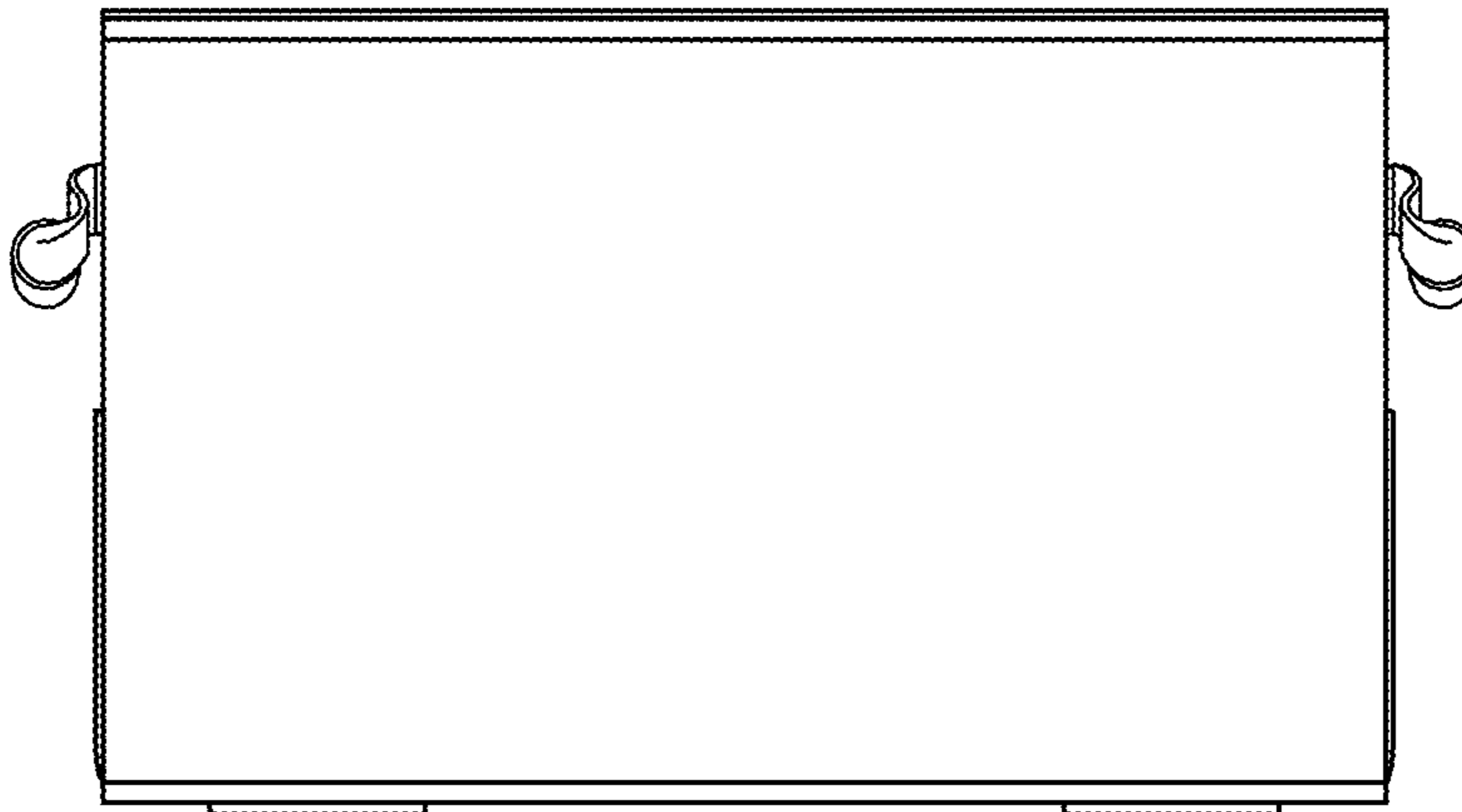


Fig. 5

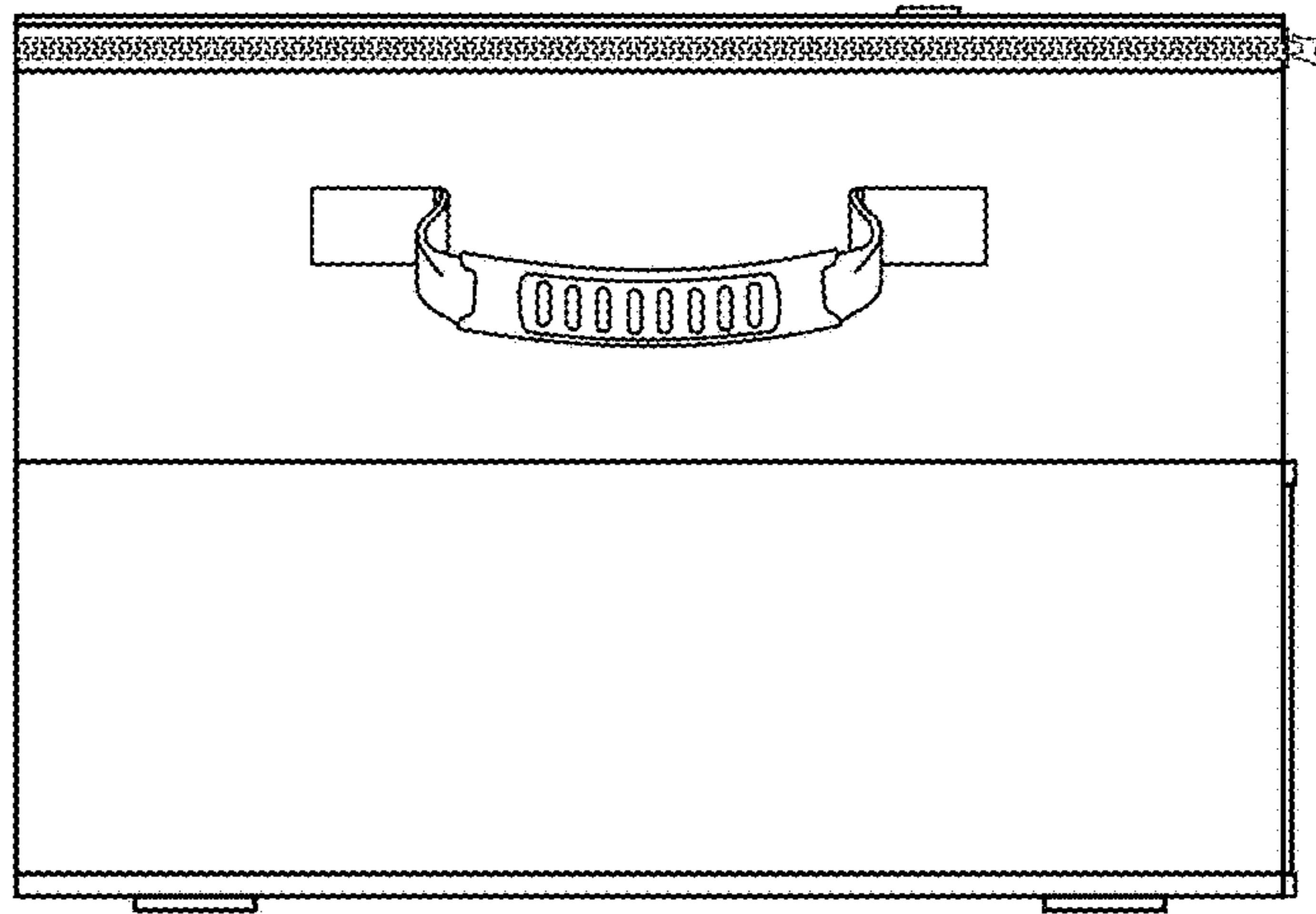


Fig. 6

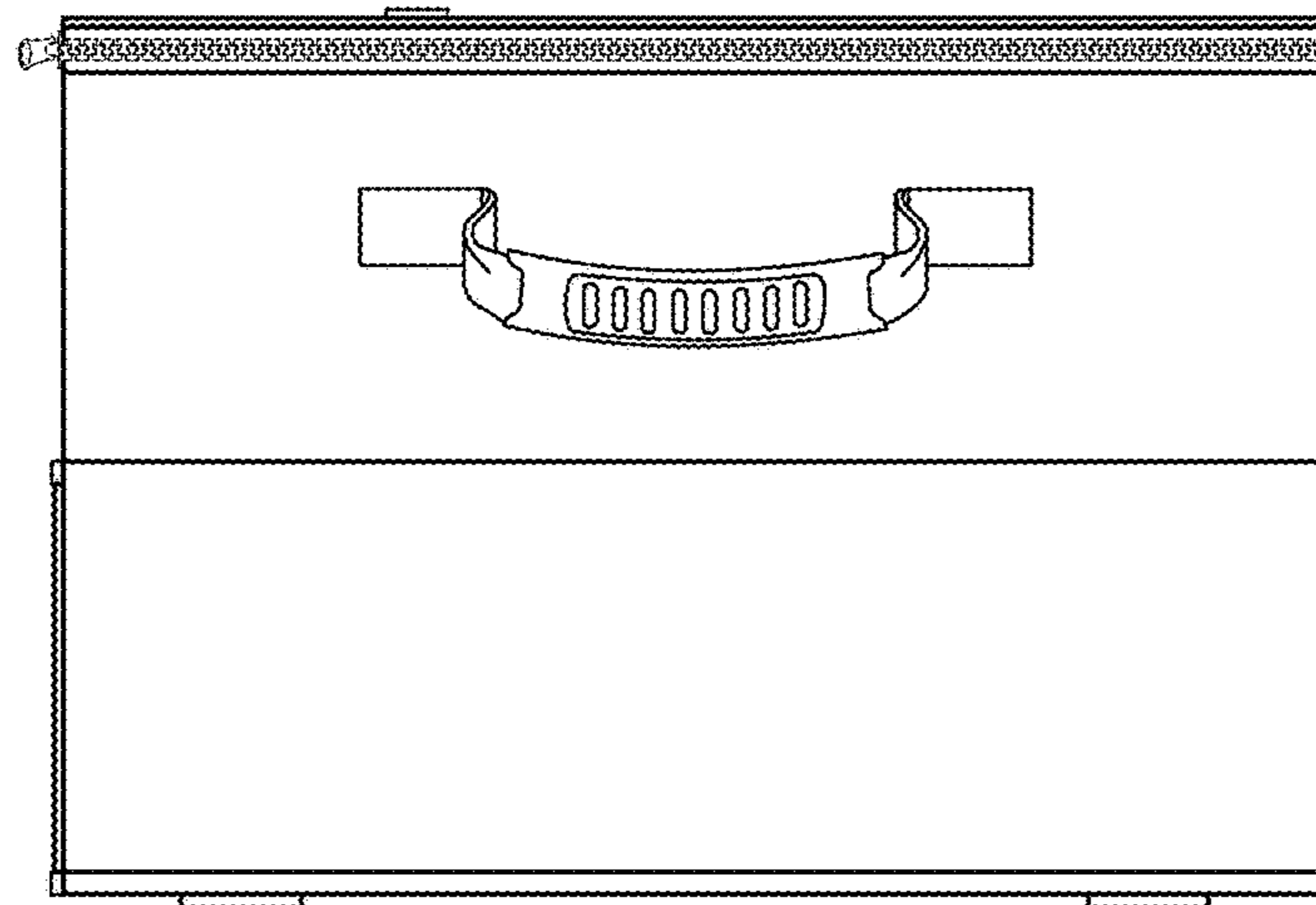


Fig. 7

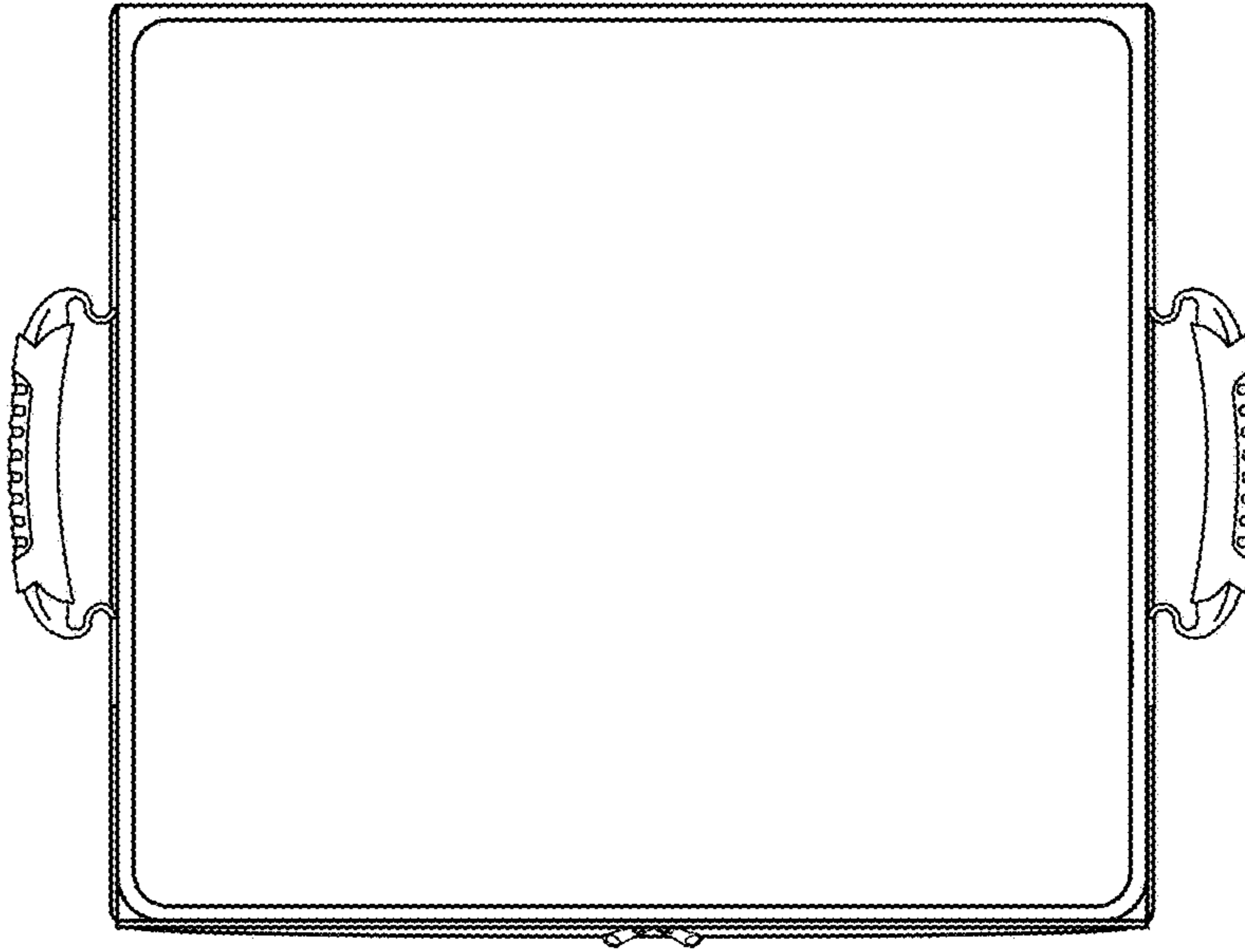


Fig. 8

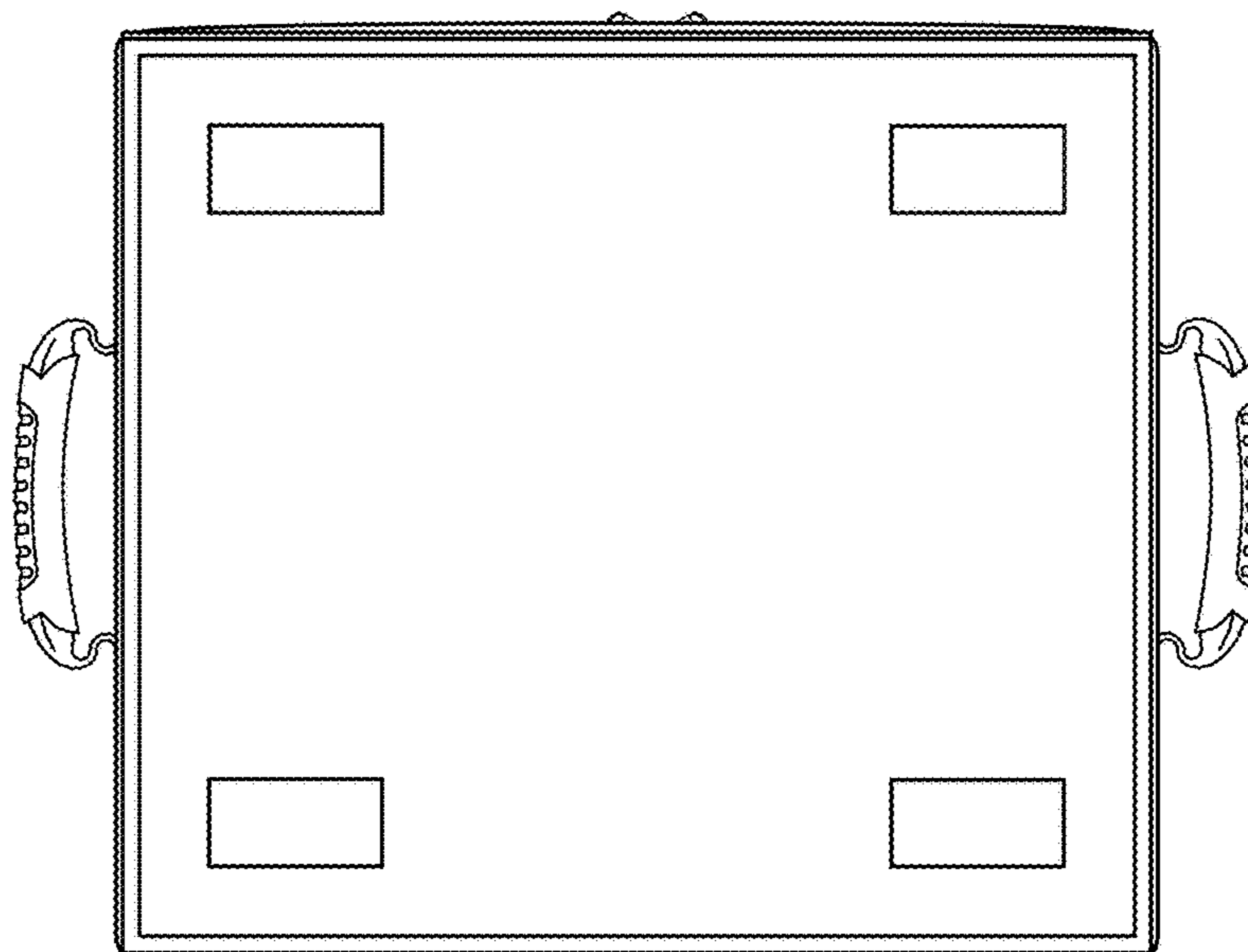


Fig. 9