



US00D799821S

(12) **United States Design Patent** (10) **Patent No.:** **US D799,821 S**
Hahn et al. (45) **Date of Patent:** **** Oct. 17, 2017**

(54) **BI-FOLD WALLET WITH BUILT-IN BATTERY**

(71) Applicant: **NOMAD GOODS, INC.**, Santa Barbara, CA (US)

(72) Inventors: **Brian Collin Hahn**, Summerland, CA (US); **Noah Mateo Dentzel**, Summerland, CA (US); **Alvaro Dominguez de Luna**, Malaga (ES)

(73) Assignee: **Nomad Goods, Inc.**, Santa Barbara, CA (US)

(**) Term: **15 Years**

(21) Appl. No.: **29/541,569**

(22) Filed: **Oct. 6, 2015**

(51) **LOC (10) Cl.** **03-01**

(52) **U.S. Cl.**
USPC **D3/249; D13/108**

(58) **Field of Classification Search**
USPC D3/20, 203.6, 205, 206, 208, 226, 232, D3/245, 247-253, 303, 324; D14/251; D19/3, 27, 75, 86, 91, 102
CPC A45C 1/06; A45C 3/08
See application file for complete search history.

(56) **References Cited**

U.S. PATENT DOCUMENTS

966,352 A *	8/1910	Pemberton	A45C 1/06 123/73 C
3,903,945 A *	9/1975	Skeba	A45C 1/06 150/133
D410,774 S *	6/1999	Inbert	D3/247
D413,725 S *	9/1999	Hartmann	D19/26
D446,649 S *	8/2001	Bodony	D3/249

(Continued)

Primary Examiner — Susan E Krakower
Assistant Examiner — L. A. Grabenstetter

(74) *Attorney, Agent, or Firm* — SoCal IP Law Group LLP; Steven C. Sereboff

(57) **CLAIM**

The ornamental design for a bi-fold wallet with built-in battery, as shown and described.

DESCRIPTION

FIG. 1 is a front perspective view of a bi-fold wallet with built-in battery, shown in an open condition with the lightning charging cable in an upright position, showing our new design;

FIG. 2 is a front perspective view thereof, with the lightning charging in a bent position;

FIG. 3 is a front view thereof, of the bi-fold wallet with built-in battery in open position with the lightning charging cable in an upright position;

FIG. 4 is a front view thereof, with the lightning charging cable in a bent position;

FIG. 5 is a back view thereof;

FIG. 6 is a side elevation view thereof, with the lightning charging cable in an upright position;

FIG. 7 is a side elevation view thereof, with the lightning charging cable in a bent position;

FIG. 8 is a top plan view thereof, with the lightning charging cable in an upright position;

FIG. 9 is a bottom plan view thereof, with the lightning charging cable shown in a bent position;

FIG. 10 is a bottom plan view thereof, with the lightning charging cable shown in a bent position;

FIG. 11 is a back perspective view thereof, shown in a closed condition;

FIG. 12 is a front view thereof, with the lightning charging cable in an upright position;

FIG. 13 is a back view thereof;

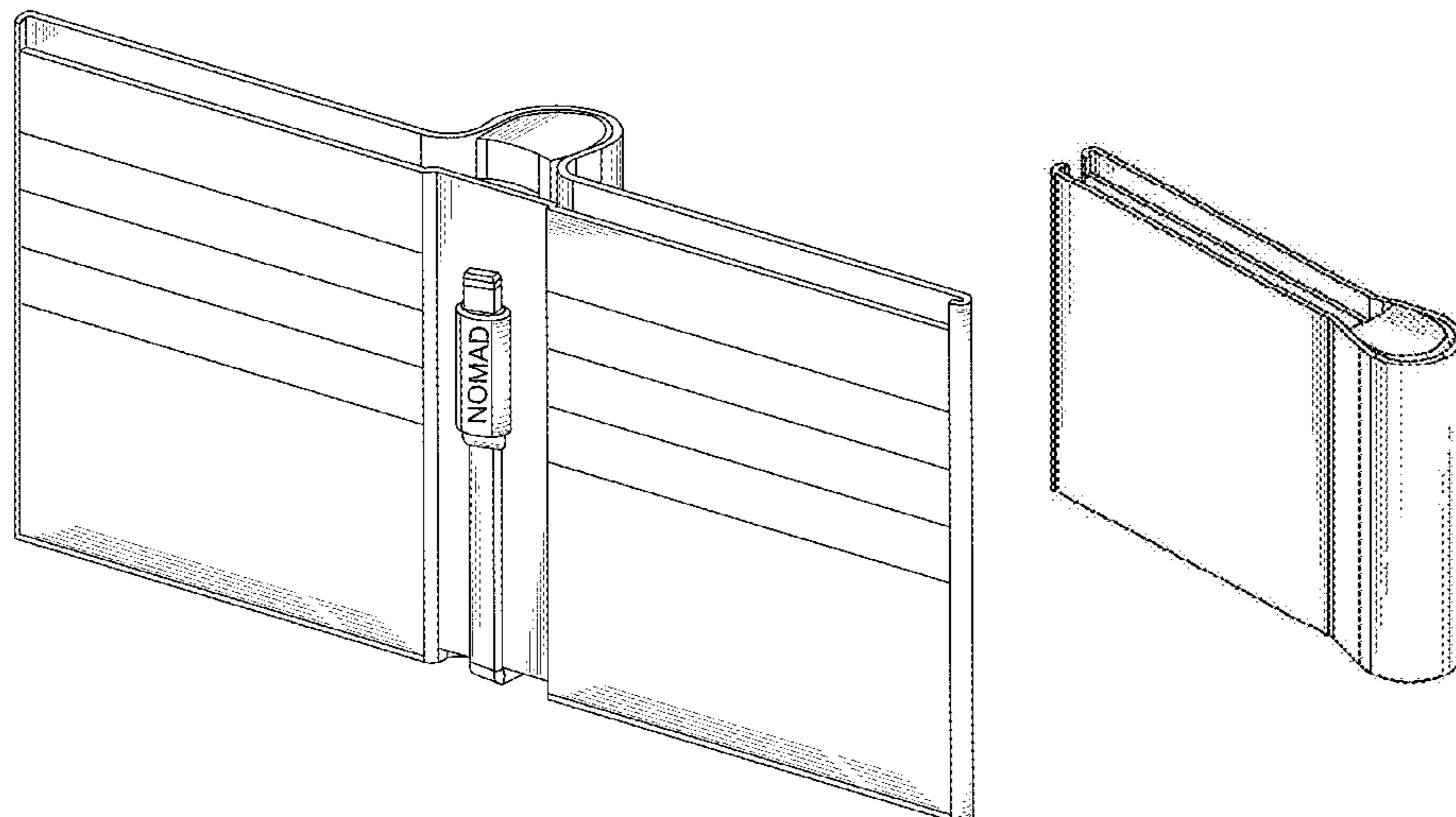
FIG. 14 is a side view thereof;

FIG. 15 is a top plan view thereof; and,

FIG. 16 is a bottom view thereof.

The broken lines in FIGS. 9, 10, and 16 represent unclaimed portions of the wallet.

1 Claim, 16 Drawing Sheets



(56)

References Cited

U.S. PATENT DOCUMENTS

D467,420	S	*	12/2002	Bodony	D3/249
6,601,622	B1	*	8/2003	Young	A45C 1/06 150/133
D548,961	S	*	8/2007	Dohner	D3/247
D600,011	S	*	9/2009	Munroe	D3/247
D608,825	S	*	1/2010	Brett	D19/3
2008/0060730	A1	*	3/2008	Young	A45C 1/06 150/140
2009/0288746	A1	*	11/2009	Baca	A45C 1/06 150/137

* cited by examiner

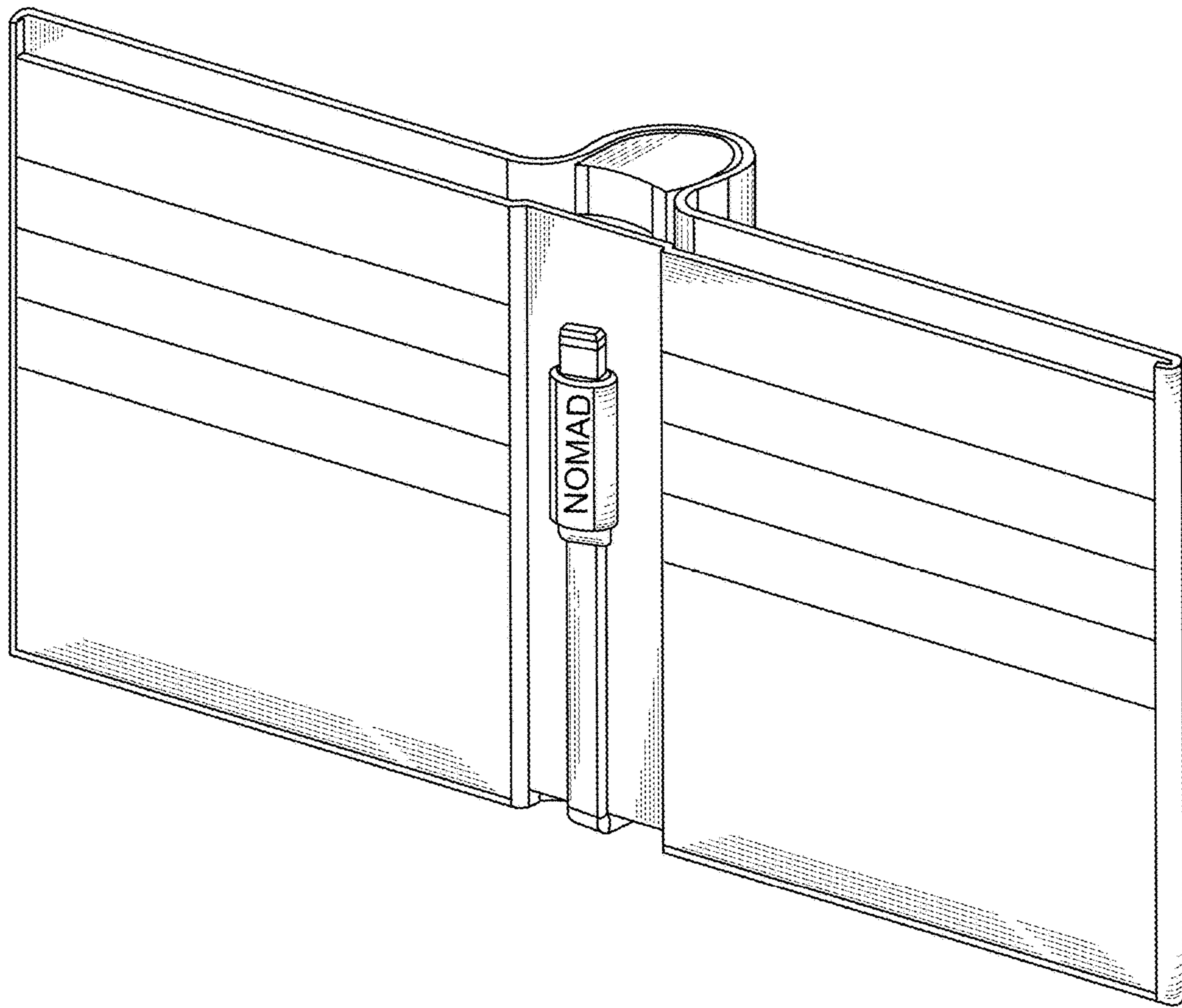


FIG. 1

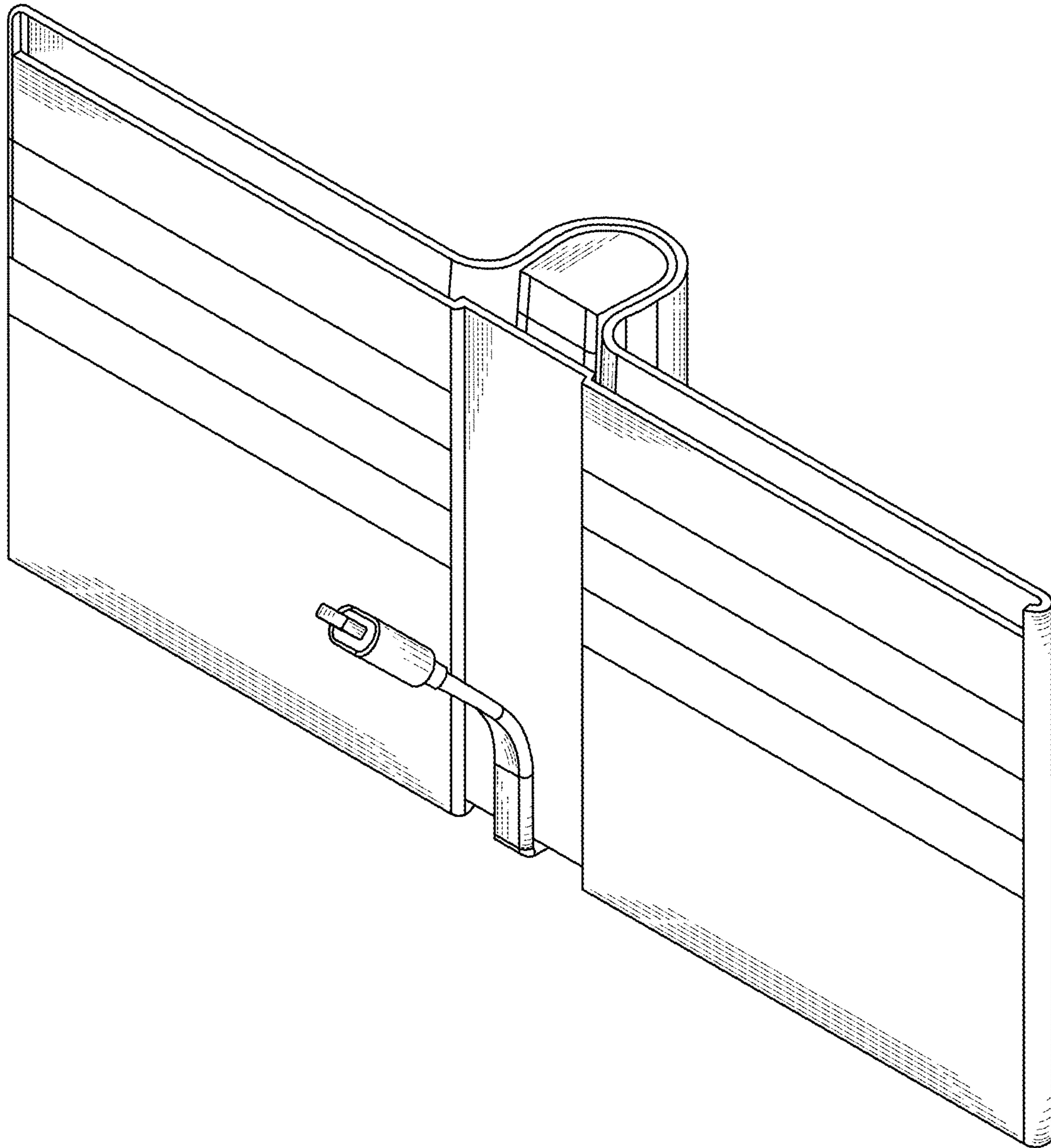


FIG. 2

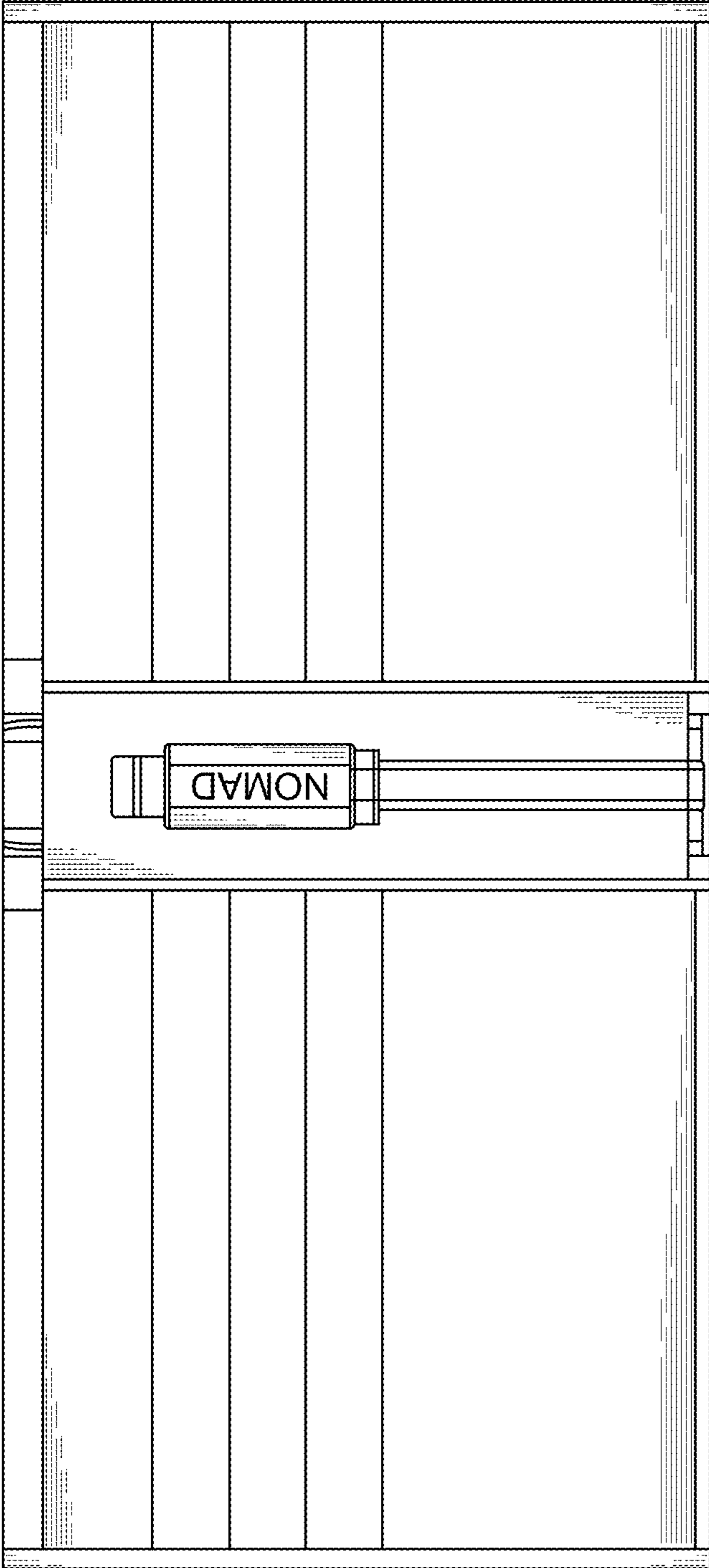


FIG. 3

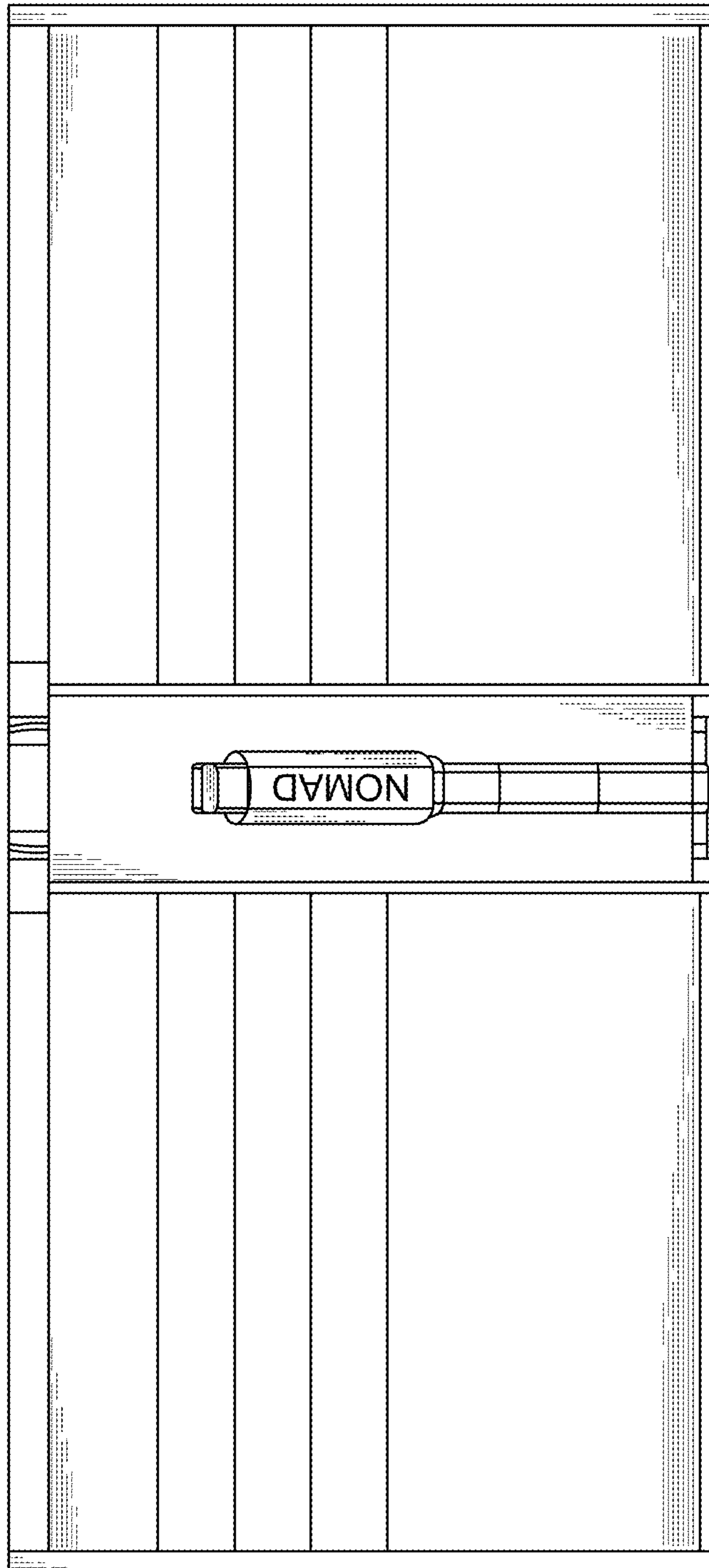


FIG. 4

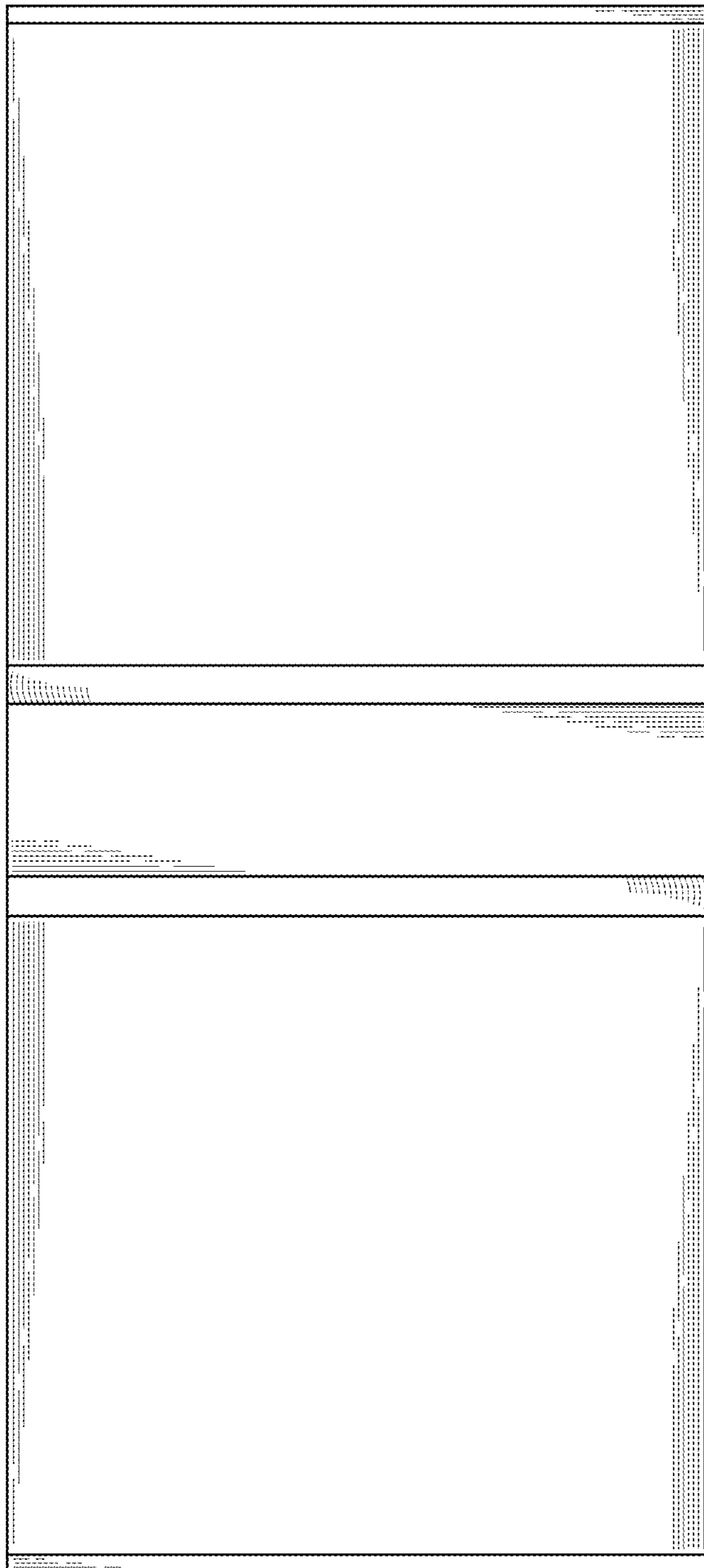


FIG. 5

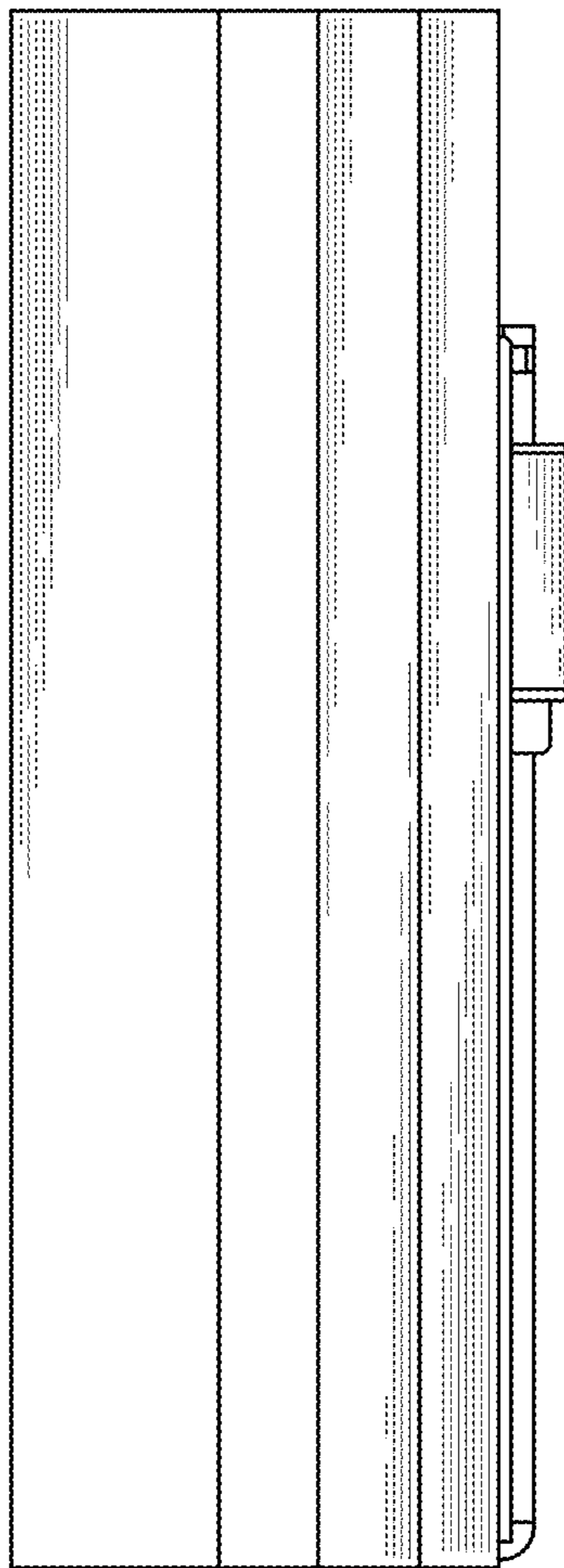


FIG. 6

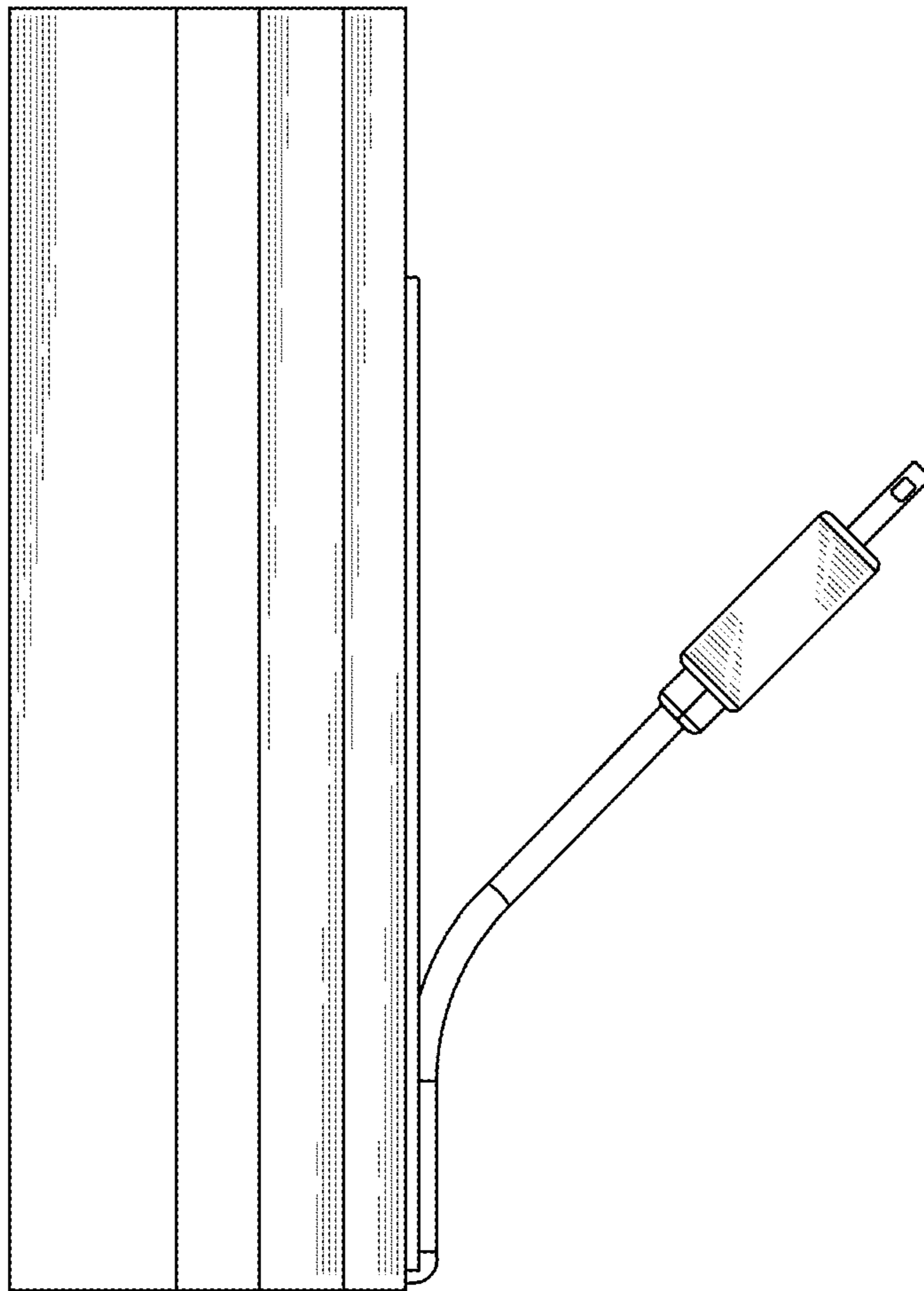


FIG. 7

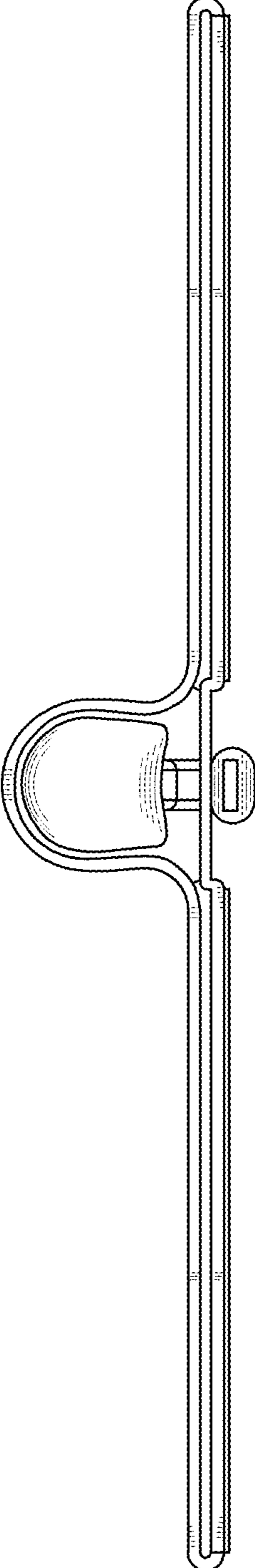


FIG. 8

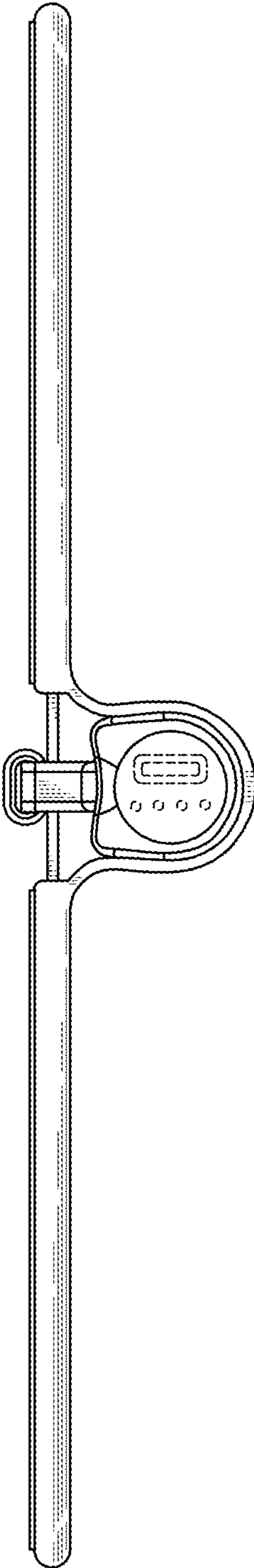


FIG. 9

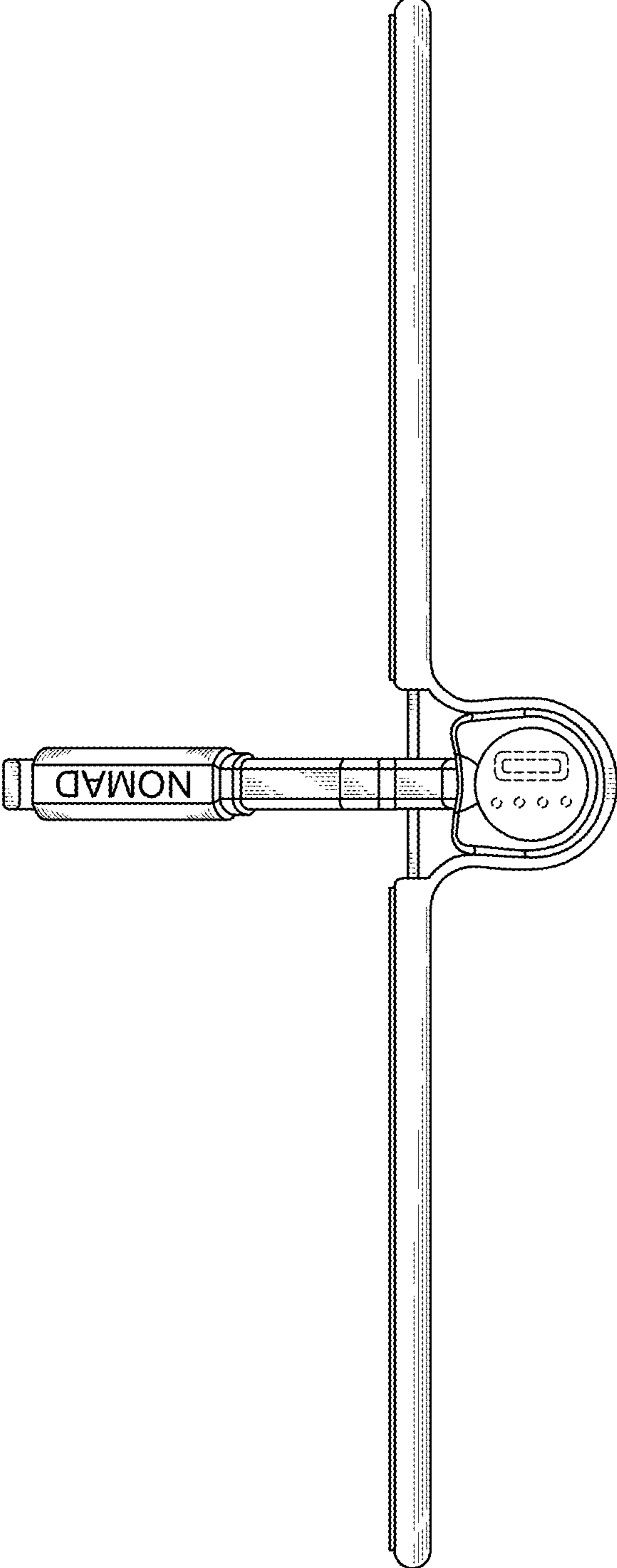


FIG. 10

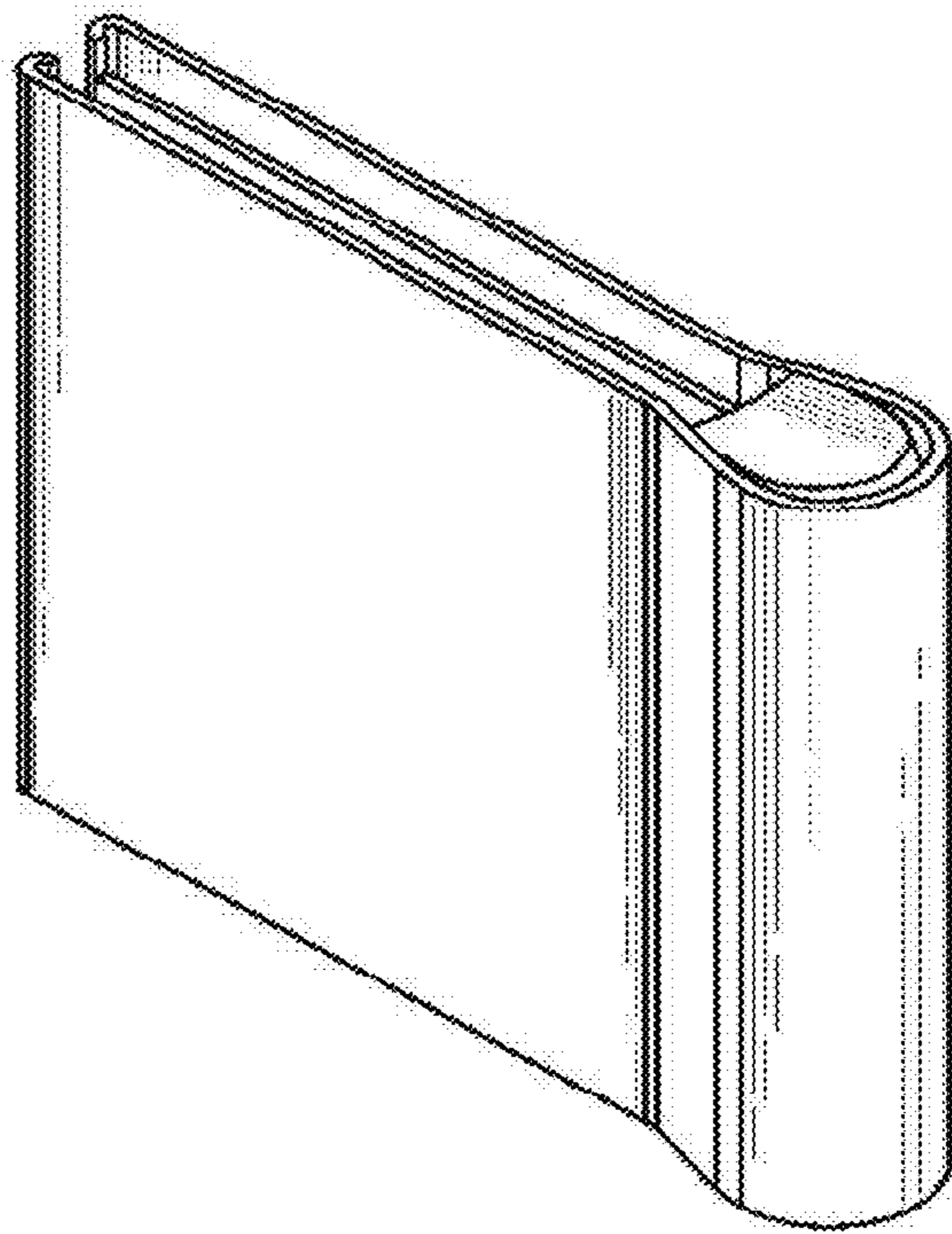


FIG. 11

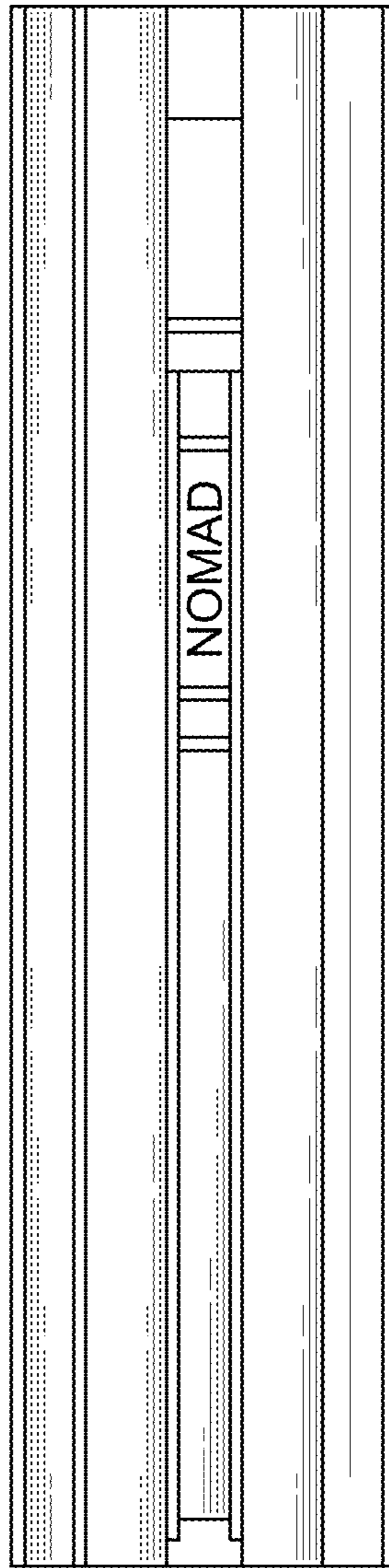


FIG. 12

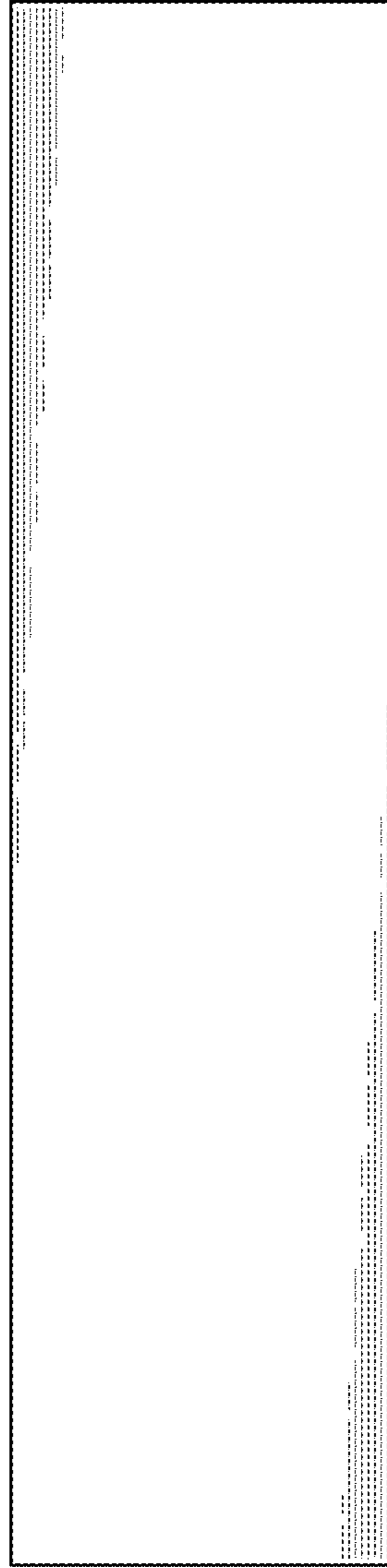


FIG. 13

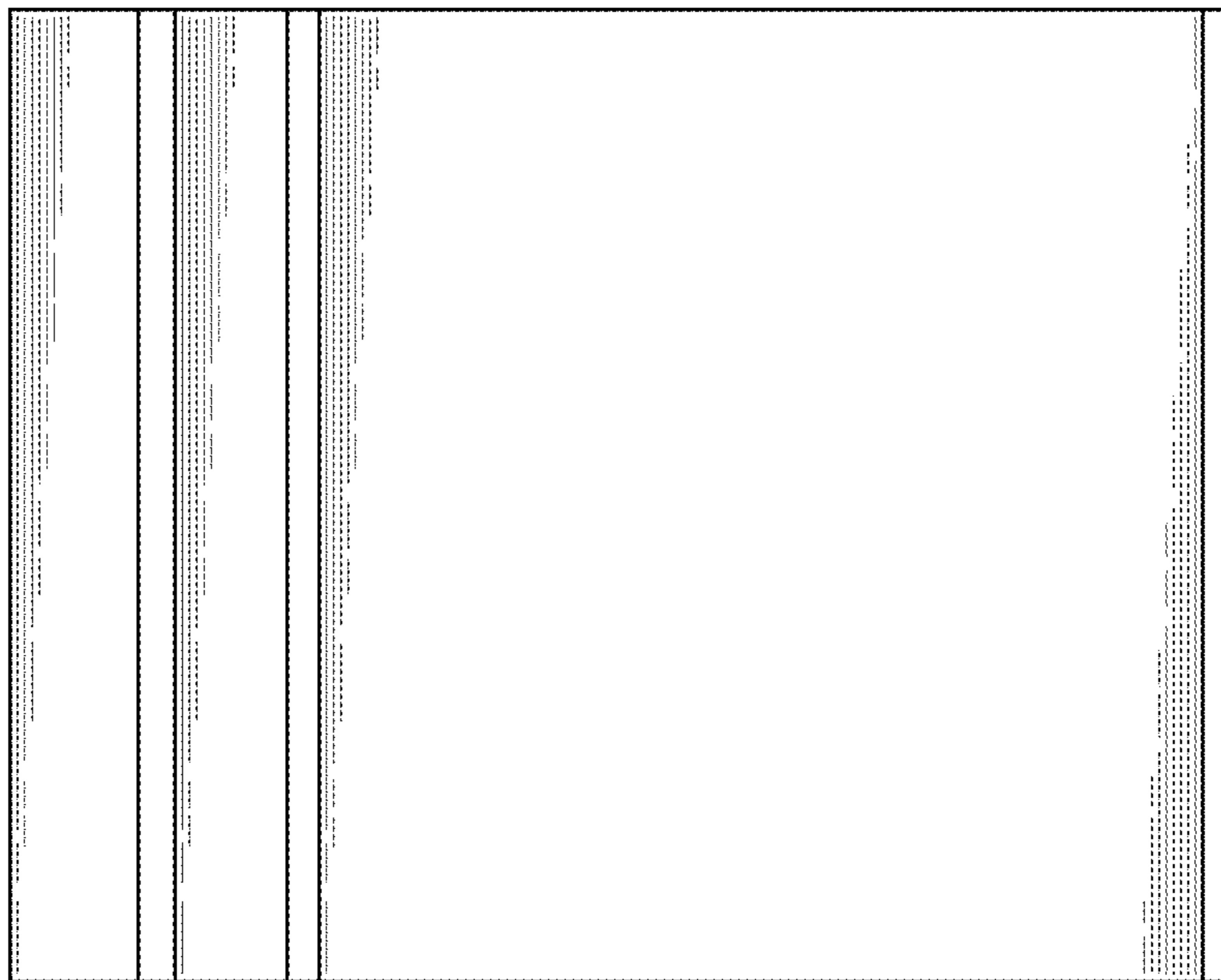


FIG. 14

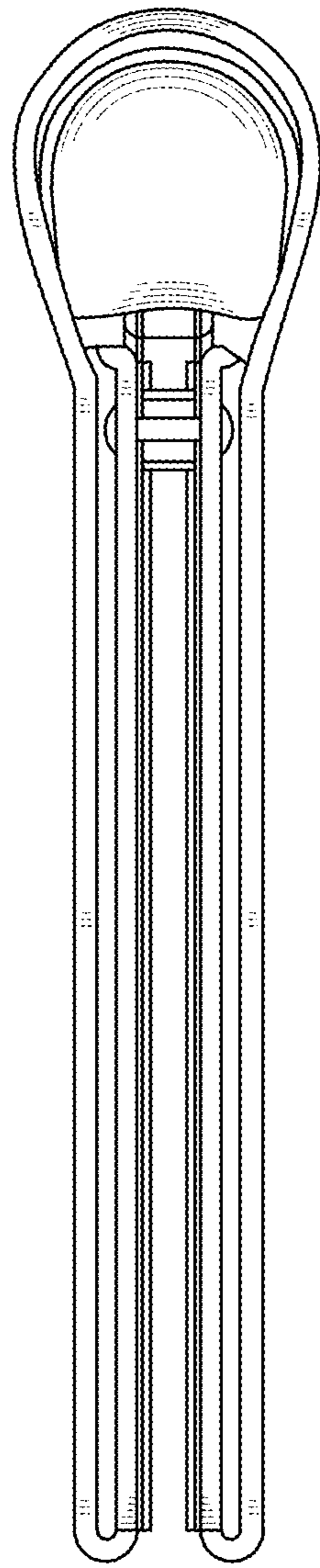


FIG. 15

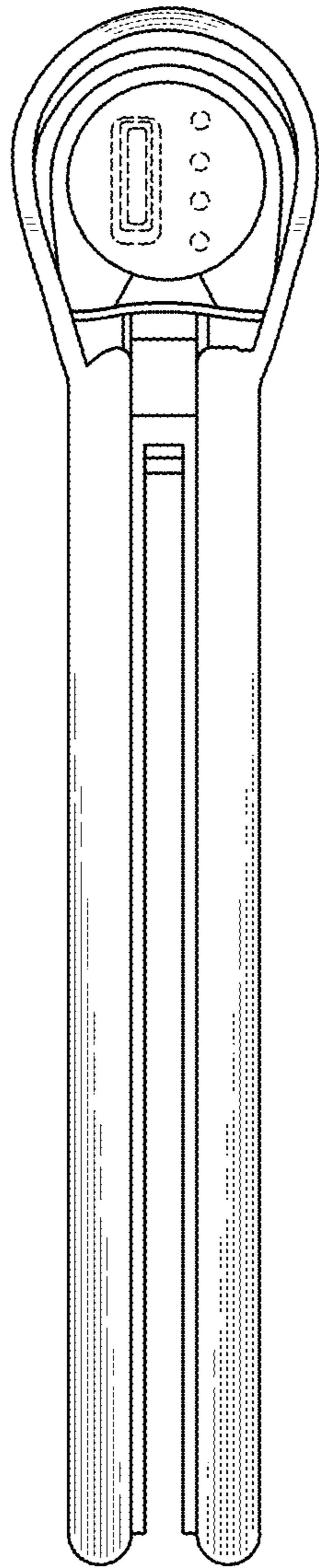


FIG. 16