



US00D799817S

(12) **United States Design Patent** (10) **Patent No.:** **US D799,817 S**  
**Roccisano** (45) **Date of Patent:** **\*\* Oct. 17, 2017**

(54) **HOLSTER**

(71) Applicant: **Pietro G. Roccisano**, Coral Springs, FL (US)

(72) Inventor: **Pietro G. Roccisano**, Coral Springs, FL (US)

(\*\*) Term: **15 Years**

(21) Appl. No.: **29/557,057**

(22) Filed: **Mar. 4, 2016**

(51) **LOC (10) Cl.** ..... **03-01**

(52) **U.S. Cl.**  
USPC ..... **D3/222**

(58) **Field of Classification Search**

USPC ..... D3/222-223, 224, 226; 224/191-193, 224/197-198, 238, 243-244, 911-913, 224/222, 240, 253, 267, 681-682, 684, 224/901, 901.4

CPC ..... A45C 1/04; A45C 7/00; A45F 5/00; A45F 5/02; A45F 5/021; A45F 2005/008; A45F 2200/0575; F41C 33/0227; F41C 33/0236; F41C 33/0209

See application file for complete search history.

(56) **References Cited**

**U.S. PATENT DOCUMENTS**

4,848,624 A *	7/1989	Clem	.....	A45C 1/04
				224/222
5,562,238 A *	10/1996	White	.....	A45F 5/02
				224/236
6,244,486 B1 *	6/2001	Holland	.....	A45F 5/02
				224/223
D588,802 S *	3/2009	Cicione	.....	D3/228

\* cited by examiner

*Primary Examiner* — Catheri Oliver-Garcia

(74) *Attorney, Agent, or Firm* — H. John Rizvi; Gold & Rizvi, P.A.

(57) **CLAIM**

I claim the ornamental design for a holster, as shown and described.

**DESCRIPTION**

FIG. 1 is a top front perspective of my new design, shown in a closed position;

FIG. 2 is a top front perspective view of my new design, shown in an open position;

FIG. 3 is a front elevation view of my new design, shown in the closed position of FIG. 1;

FIG. 4 is a rear elevation view of my new design;

FIG. 5 is a left side elevation view of my new design, shown in the closed position of FIG. 1;

FIG. 6 is a right side elevation view of my new design, shown in the closed position of FIG. 1;

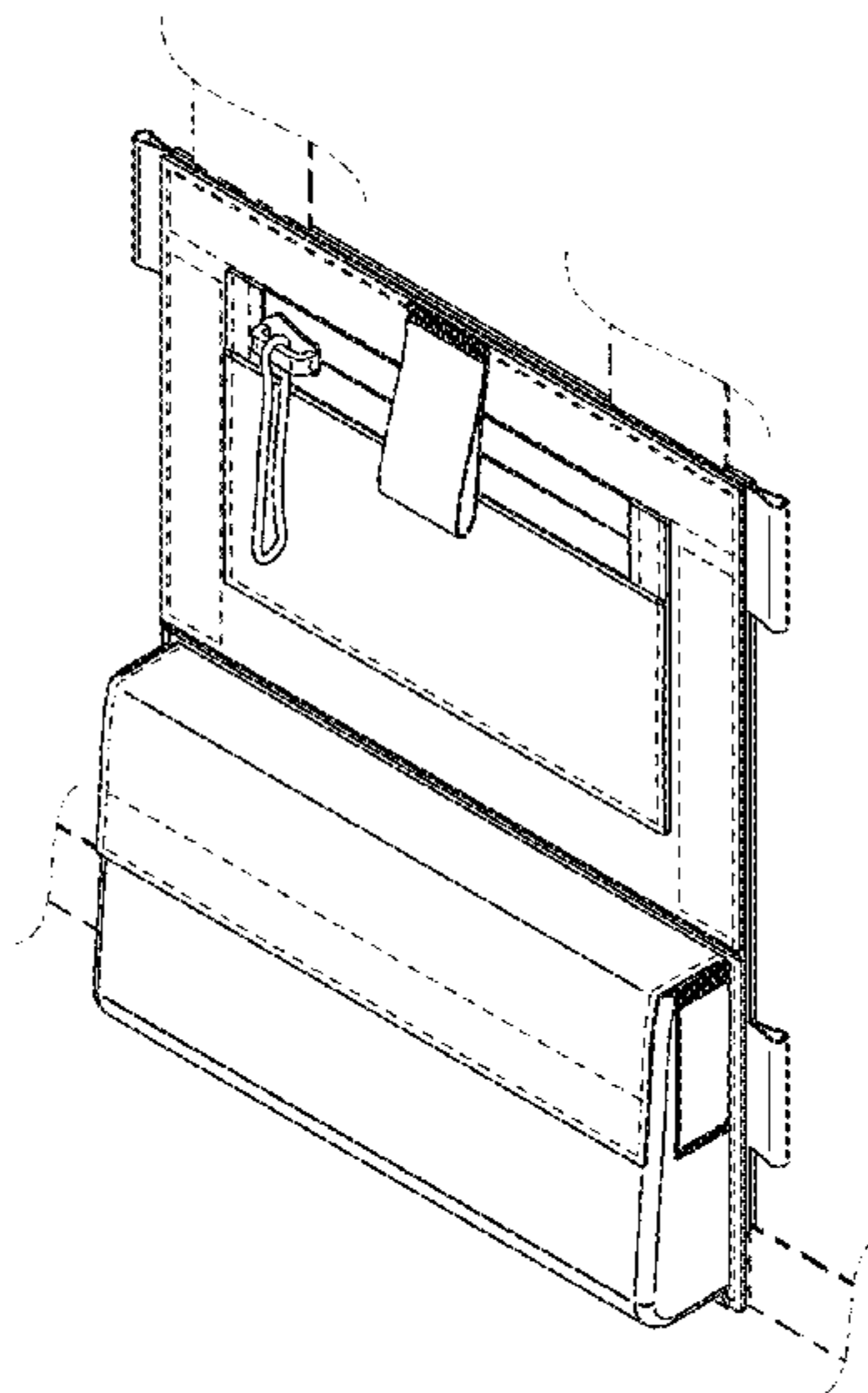
FIG. 7 is a top plan view of my new design, shown in the closed position of FIG. 1; and,

FIG. 8 is a bottom plan view of my new design, shown in the closed position of FIG. 1.

The illustrated holster has been depicted with a top left strap, a top right strap, a bottom left strap and a bottom right strap extending outwardly from the holster. For instance, with reference to the front elevation view of FIG. 3, the top left and right straps are shown extending vertically upward from the holster, and the bottom left and right straps are shown extending horizontally leftward and rightward from the holster. All four straps have been depicted in a truncated fashion (as indicated by respective distal S-shaped lines terminating the straps). Further, all four straps (and the respective distal S-shaped lines) have been depicted in broken lines for the purpose of illustrating environmental structure, and form no part of the claimed design.

The remaining broken lines shown in the drawings (i.e. broken lines aside from the straps and respective distal S-shaped lines described heretofore) reflect stitching and form no part of the claimed design.

**1 Claim, 6 Drawing Sheets**



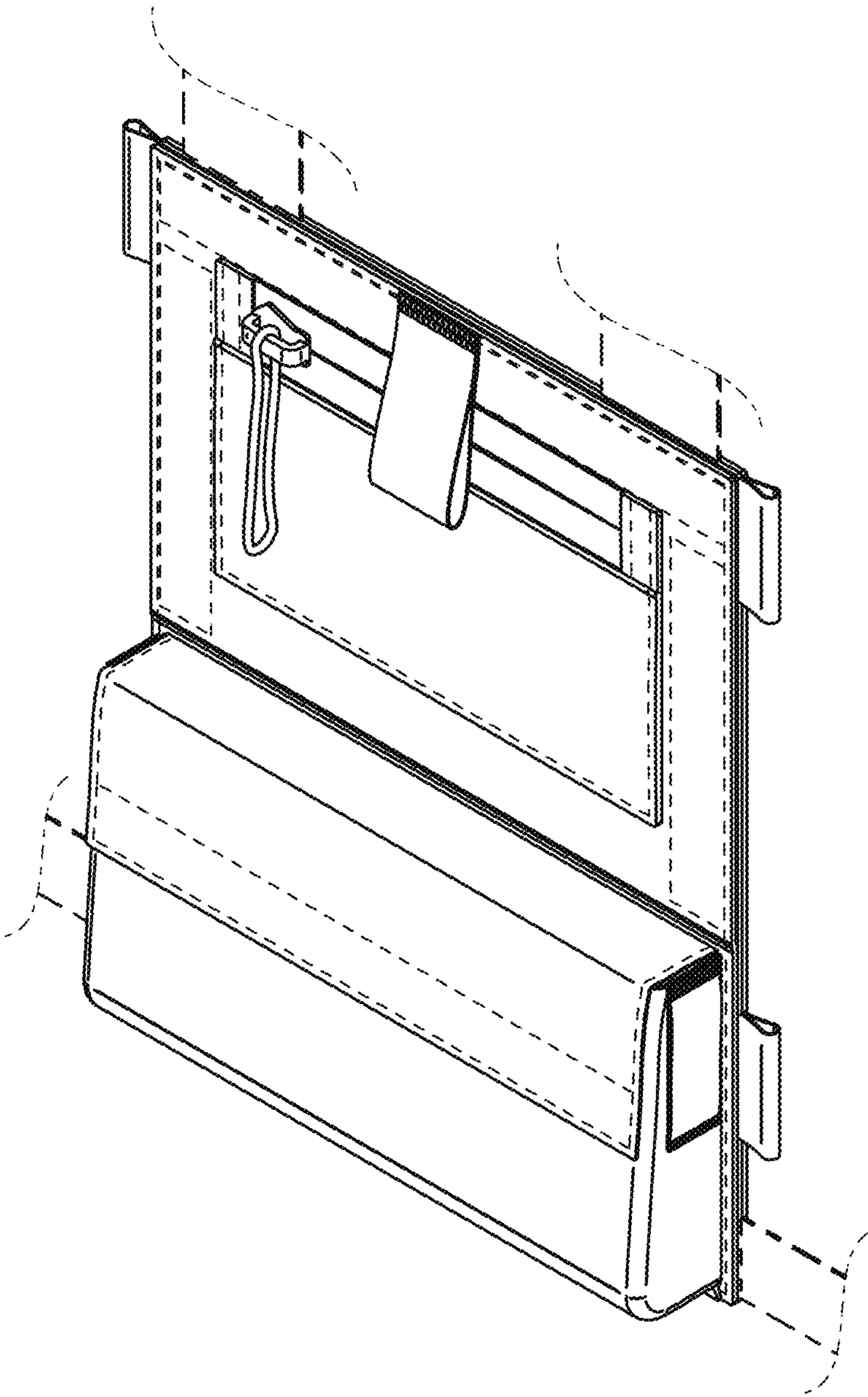


FIG. 1

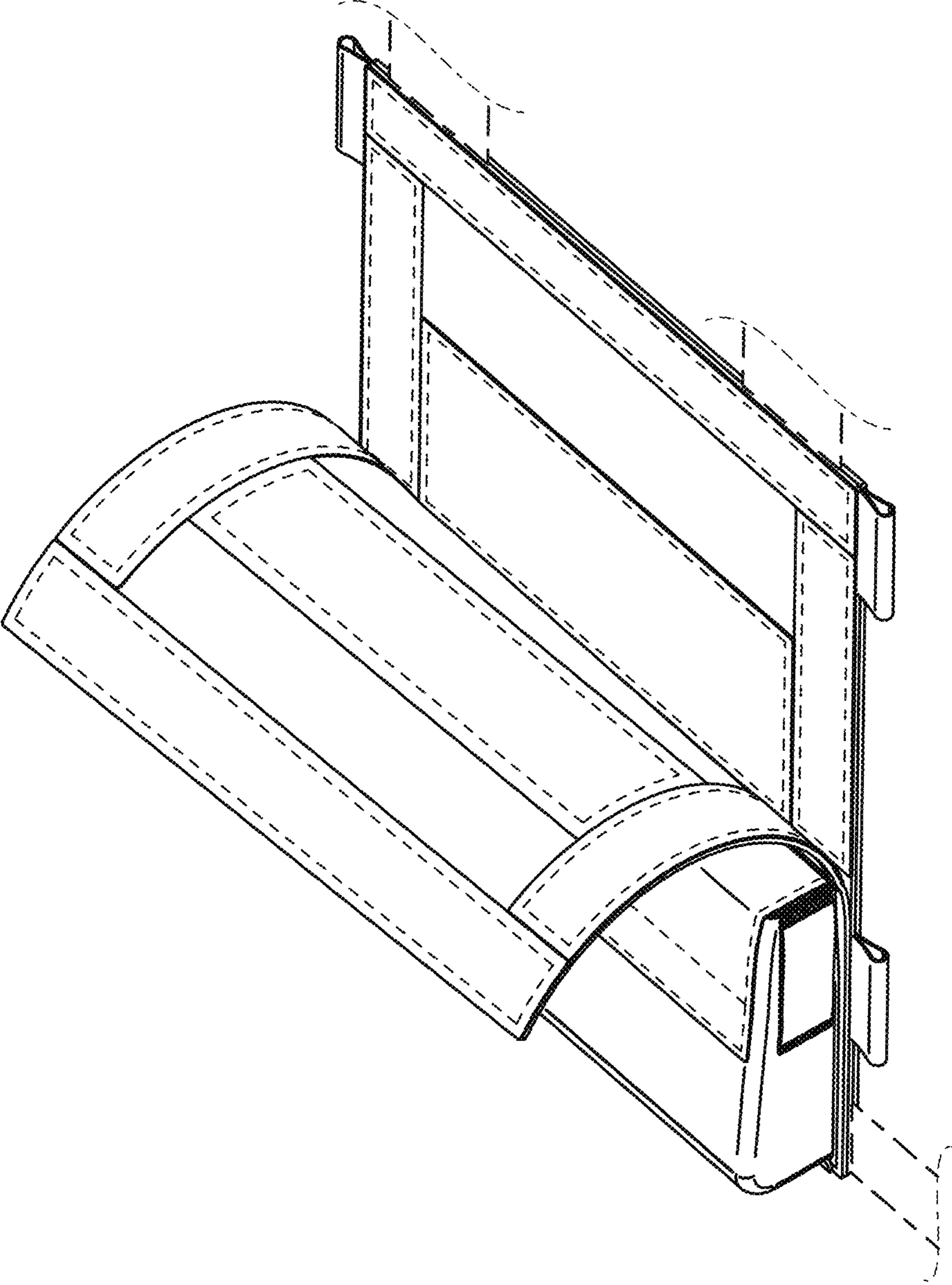


FIG. 2

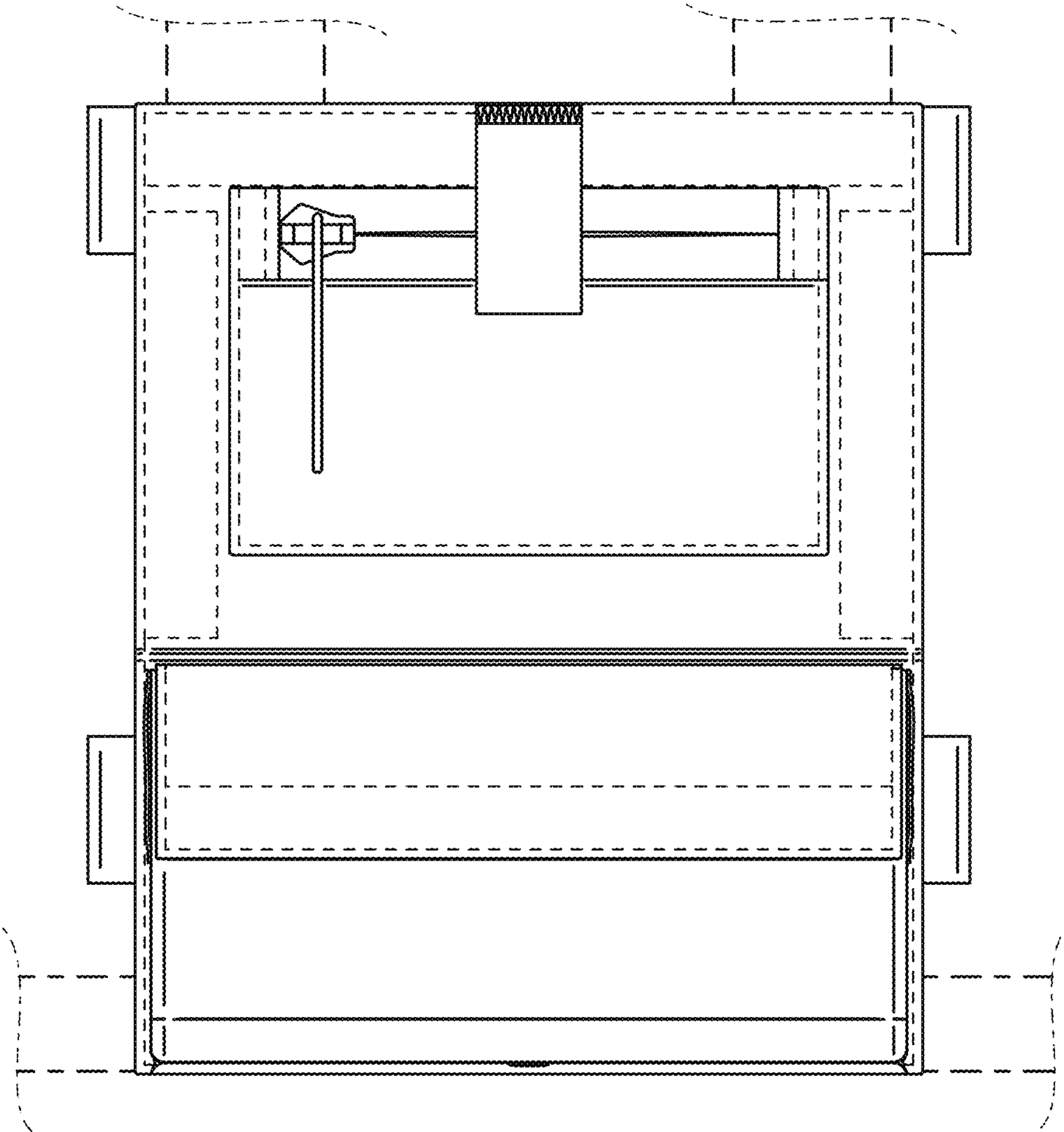


FIG. 3

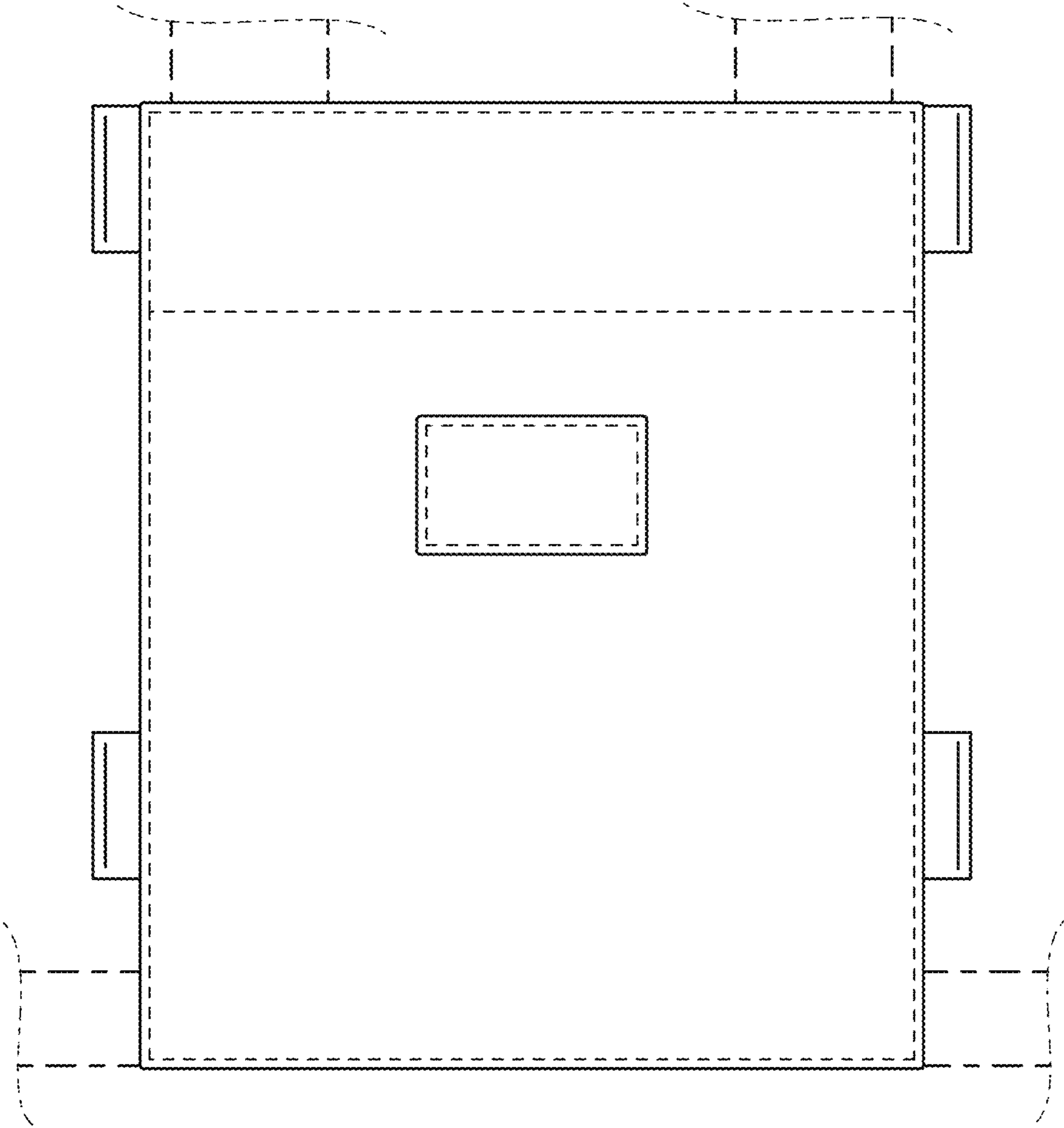


FIG. 4

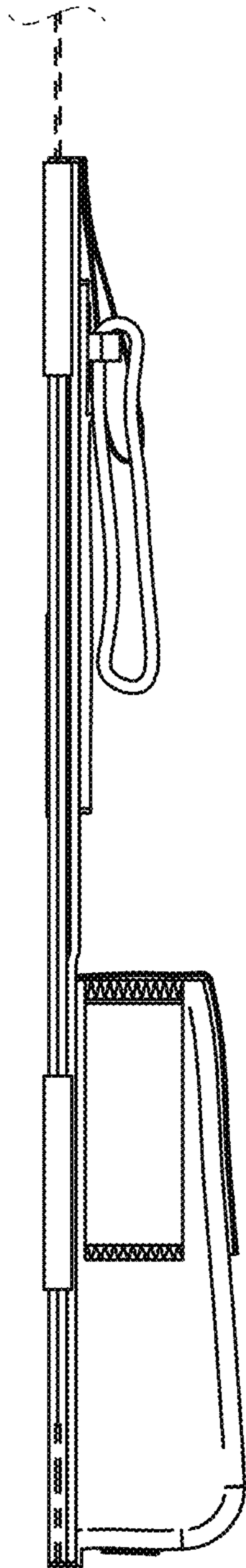


FIG. 5

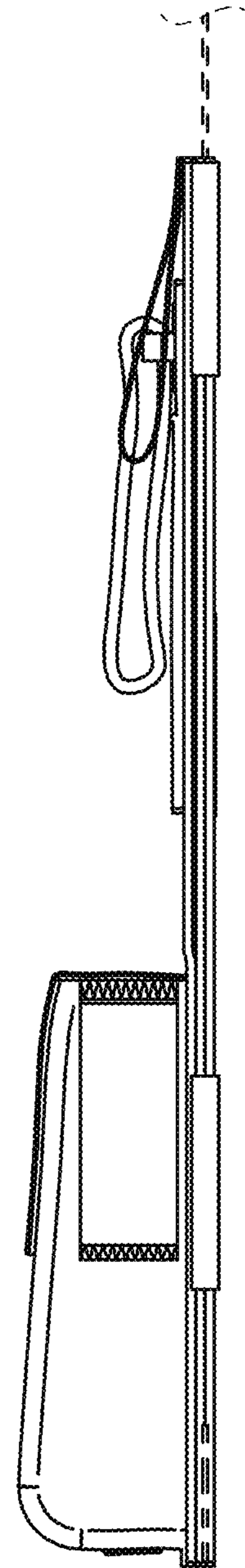


FIG. 6

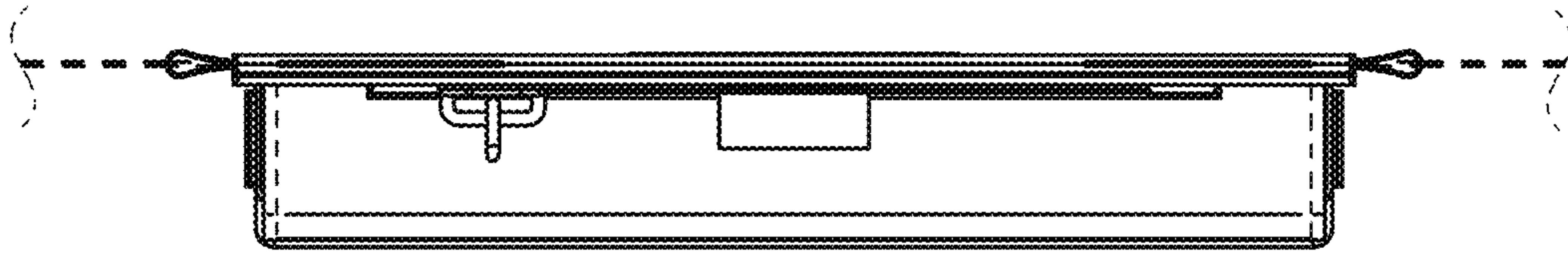


FIG. 7

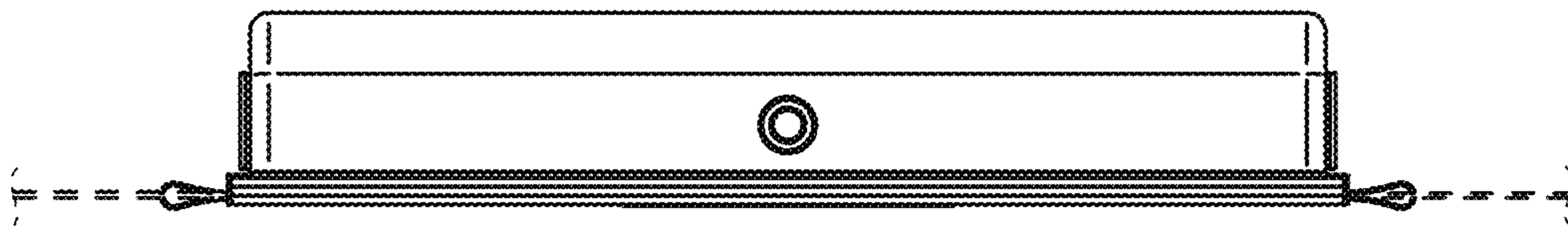


FIG. 8