

US00D799816S

(12) **United States Design Patent** (10) **Patent No.:** **US D799,816 S**  
**Cosignani et al.** (45) **Date of Patent:** **\*\* Oct. 17, 2017**

(54) **SHEARS SHEATH**  
(71) Applicant: **Lifetime Brands, Inc.**, Garden City, NY (US)  
(72) Inventors: **Luis Rodrigo Olea Cosignani**, Glen Cove, NY (US); **Petros Stambolis**, Franklin Square, NY (US)  
(73) Assignee: **LIFETIME BRANDS, INC.**, Garden City, NY (US)  
(\*\*) Term: **15 Years**  
(21) Appl. No.: **29/570,905**  
(22) Filed: **Jul. 13, 2016**  
(51) **LOC (10) Cl.** ..... **03-01**  
(52) **U.S. Cl.**  
USPC ..... **D3/220**  
(58) **Field of Classification Search**  
USPC ..... D3/200, 220; D22/118; D8/65, 71, 93, D8/95-99; 30/143, 151, 155, 161-162, 30/391, 504, 138, 146; 206/317, 349, 206/521, 564; 224/197, 198, 232, 234, 224/242, 245, 246, 269, 576, 581, 624, 224/666, 674, 676, 904; 451/555; 24/3.1, 3.11  
CPC ..... B26B 29/025; B26B 3/00; F41B 13/00; F41B 13/04  
See application file for complete search history.

(56) **References Cited**  
**U.S. PATENT DOCUMENTS**  
D140,745 S \* 4/1945 Fairbairn et al. .... 224/232  
2,528,059 A \* 10/1950 Kendrick ..... B26B 29/025  
224/232  
D219,897 S \* 2/1971 Laughlin ..... D3/220  
D251,436 S \* 3/1979 Johnson ..... D3/220  
D255,507 S \* 6/1980 Gingher, Jr. .... D3/220  
D265,147 S \* 6/1982 Jackson ..... D3/220  
4,495,696 A \* 1/1985 Fethke ..... B24D 15/063  
30/138  
D296,498 S \* 7/1988 Collins ..... D3/220

4,805,350 A \* 2/1989 Farrer ..... B24D 15/084  
30/138  
D330,491 S \* 10/1992 Worsfold ..... D7/638  
D339,963 S \* 10/1993 Roberts ..... D7/638  
D341,753 S \* 11/1993 Winyard ..... D7/638  
5,388,740 A \* 2/1995 Garland ..... A45F 5/02  
224/242

(Continued)

**OTHER PUBLICATIONS**

Columbia River 5006 Crossover Camp Shears/Scissors Combo, Leather Sheath, KnifeCenter.com, [online], [site visited May 15, 2017]. <URL: <https://www.knifecenter.com/item/CR5006/Columbia-River-5006-Crossover-Camp-ShearsScissors-Combo-with-Leather-Sheath>>.\*  
Vachetta Leather Case/Sheath Sewing/Fabric/Dressmaker Scissors/Shears 7-8 inch, ValueBeltPlus.com, [online], [site visited May 15, 2017]. <URL: <https://valuebeltplus.com/products/vachetta-leather-case-sheath-sewing-fabric-dressmaker-scissors-shears-7-8-inch>>.\*

(Continued)

*Primary Examiner* — T. Chase Nelson  
*Assistant Examiner* — Jonathan J Han  
(74) *Attorney, Agent, or Firm* — Tutunjian & Bitetto, P.C.

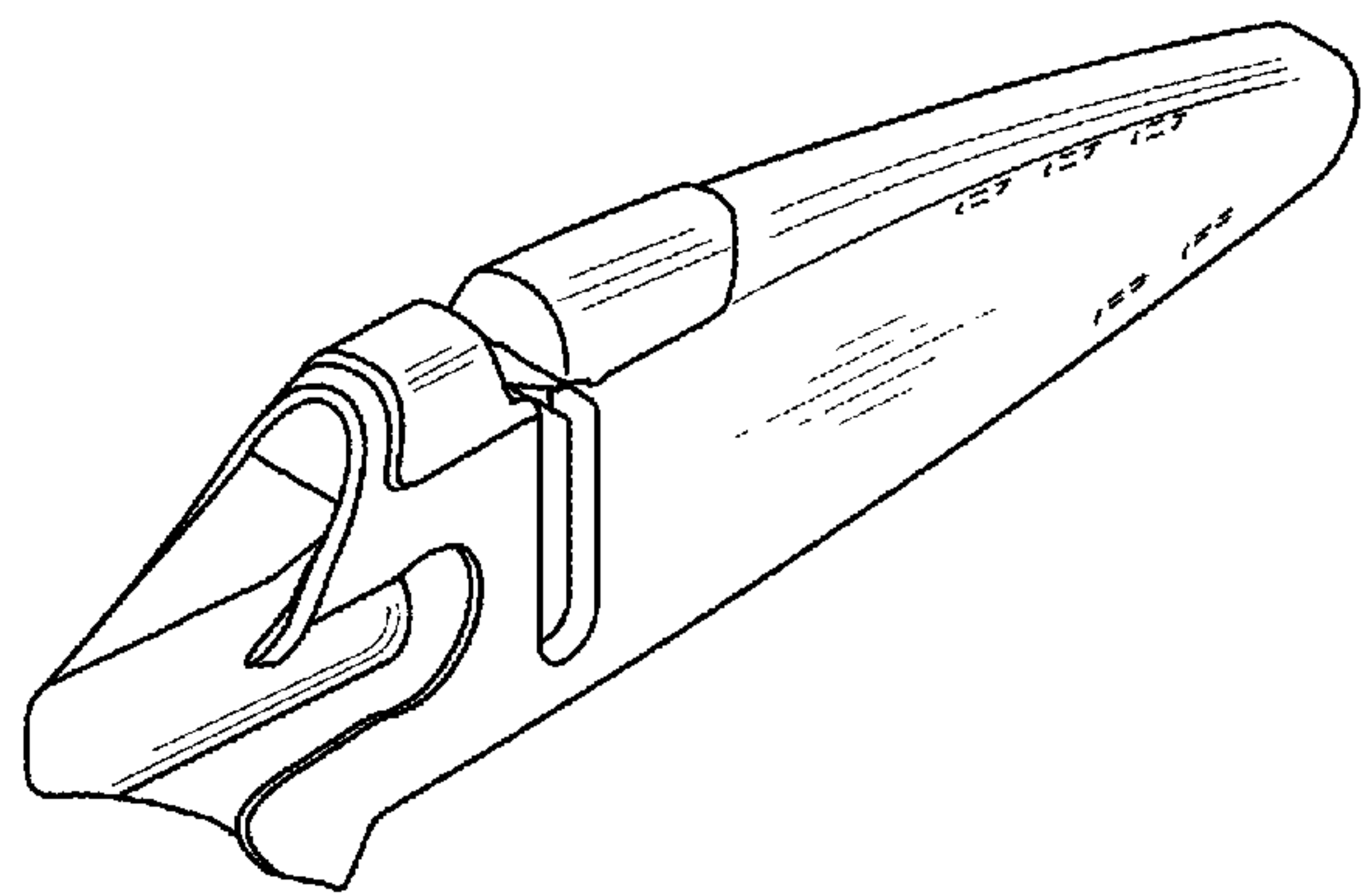
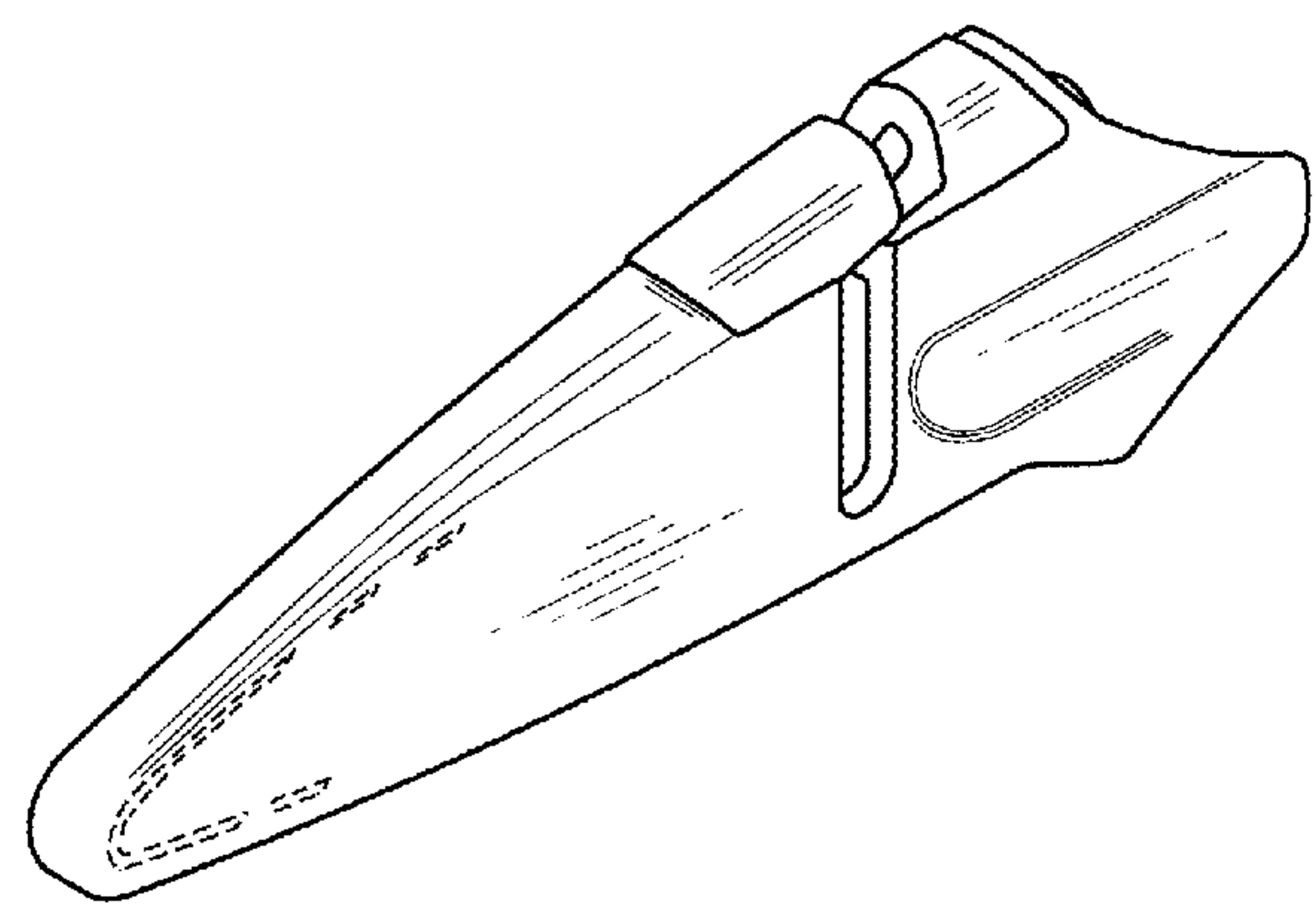
(57) **CLAIM**

The ornamental design for a shears sheath, as shown and described.

**DESCRIPTION**

FIG. 1 is a front perspective view of the shears sheath showing our new design;  
FIG. 2 is a rear perspective view thereof;  
FIG. 3 is a top view thereof;  
FIG. 4 is a right side view thereof;  
FIG. 5 is a bottom view thereof;  
FIG. 6 is a left side view thereof;  
FIG. 7 is a front view thereof; and,  
FIG. 8 is a rear view thereof.  
The broken lines in the drawings are used to illustrate unclaimed portions and form no part of the claimed design.

**1 Claim, 3 Drawing Sheets**



(56)

References Cited

U.S. PATENT DOCUMENTS

D374,981 S \* 10/1996 Hainsworth ..... D3/220  
 5,784,786 A \* 7/1998 Williams ..... B26B 29/025  
 30/138  
 D405,954 S \* 2/1999 Liu ..... D19/65  
 D417,073 S \* 11/1999 Diener ..... D3/228  
 D424,906 S \* 5/2000 May ..... D3/220  
 6,224,475 B1 \* 5/2001 May ..... B24D 15/084  
 30/298.4  
 D491,622 S \* 6/2004 Hadley ..... D22/118  
 D533,343 S \* 12/2006 Gringer ..... D3/228  
 D562,549 S \* 2/2008 Bodnar ..... D3/222  
 D661,169 S \* 6/2012 Tinius ..... D3/220  
 D672,549 S \* 12/2012 McLean ..... D3/220  
 D678,743 S \* 3/2013 Tinius ..... D3/220  
 8,590,427 B2 \* 11/2013 Murphy ..... B24D 15/084  
 206/349  
 D724,312 S \* 3/2015 Wikstrom ..... D3/220  
 D729,446 S \* 5/2015 Babel ..... D28/7  
 D738,617 S \* 9/2015 Kidd ..... D3/220  
 D746,585 S \* 1/2016 Burge ..... D3/220  
 D748,906 S \* 2/2016 King ..... D3/206  
 D751,883 S \* 3/2016 Huang ..... D8/99  
 2007/0266569 A1 \* 11/2007 Nenadic ..... B26B 3/06  
 30/151  
 2015/0031274 A1 \* 1/2015 Beechinor ..... B24D 15/084  
 451/553

OTHER PUBLICATIONS

Kitchen Shears 7-in-1 Multifunction Heavy Duty, Take-apart with Magnetic Sheath/holder, Amazon.com, Date first available at Amazon.com: Jul. 8, 2015, [online], [site visited May 15, 2017]. <URL: <https://www.amazon.com/Kitchen-Shears-Multifunction-Take-apart-Magnetic/dp/B0116N5K40>>.\*  
 All-purpose Kitchen Shears, Fiskars.com, [online], [site visited May 15, 2017]. <URL: <http://www2.fiskars.com/Special-Feature/Kitchen-Shears/All-purpose-Kitchen-Shears>>.\*  
 Mesmerizing Super Shears Kitchen Consumer Reports Cutco Holster 5 77 Review Price Penny Reviews Ebay Sheath Cutlery, Tremost.com, [online], [site visited May 15, 2017]. <URL: <http://tremost.com/cutco-kitchen-shears/mesmerizing-super-shears-kitchen-by-cutco-consumer-reports-shears/>>.\*  
 Norpro Stainless Steel Triple Blade Herb Scissors with Sheath, KitchenNova.com, [online], [site visited May 15, 2017]. <URL: <https://www.kitchenova.com/herb-spice-tools/2045-norpro-stainless-steel-triple-blade-herb-scissors-with-sheath.html>>.\*  
 Paring Knife with Sheath . . . , Amazon.com, Date first available at Amazon.com: Feb. 20, 2016, [online], [site visited May 15, 2017]. <URL: <https://www.amazon.com/Perfect-Essential-Kitchen-Protective-Strawberries/dp/B01C073FDO>>.\*  
 Zyliss 6 Piece Kitchen Knife Set with Sheath Covers, Stainless Steel, Wayfair.com, [online], [site visited May 15, 2017]. <URL: <https://www.wayfair.com/Zyliss-Zyliss-6-Piece-Kitchen-Knife-Set-with-Sheath-Covers-Stainless-Steel-ZY11257.html>>.\*

\* cited by examiner

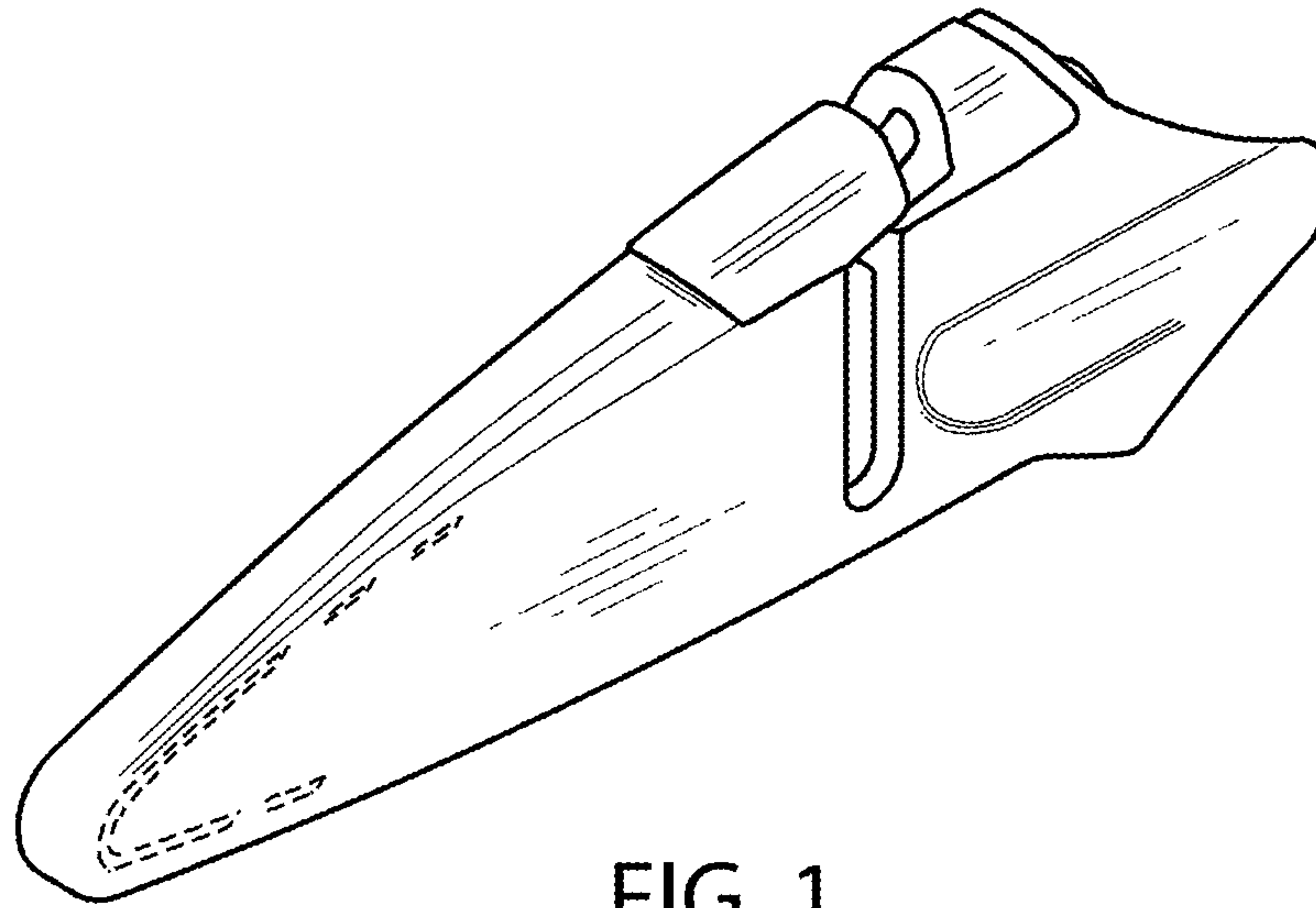


FIG. 1

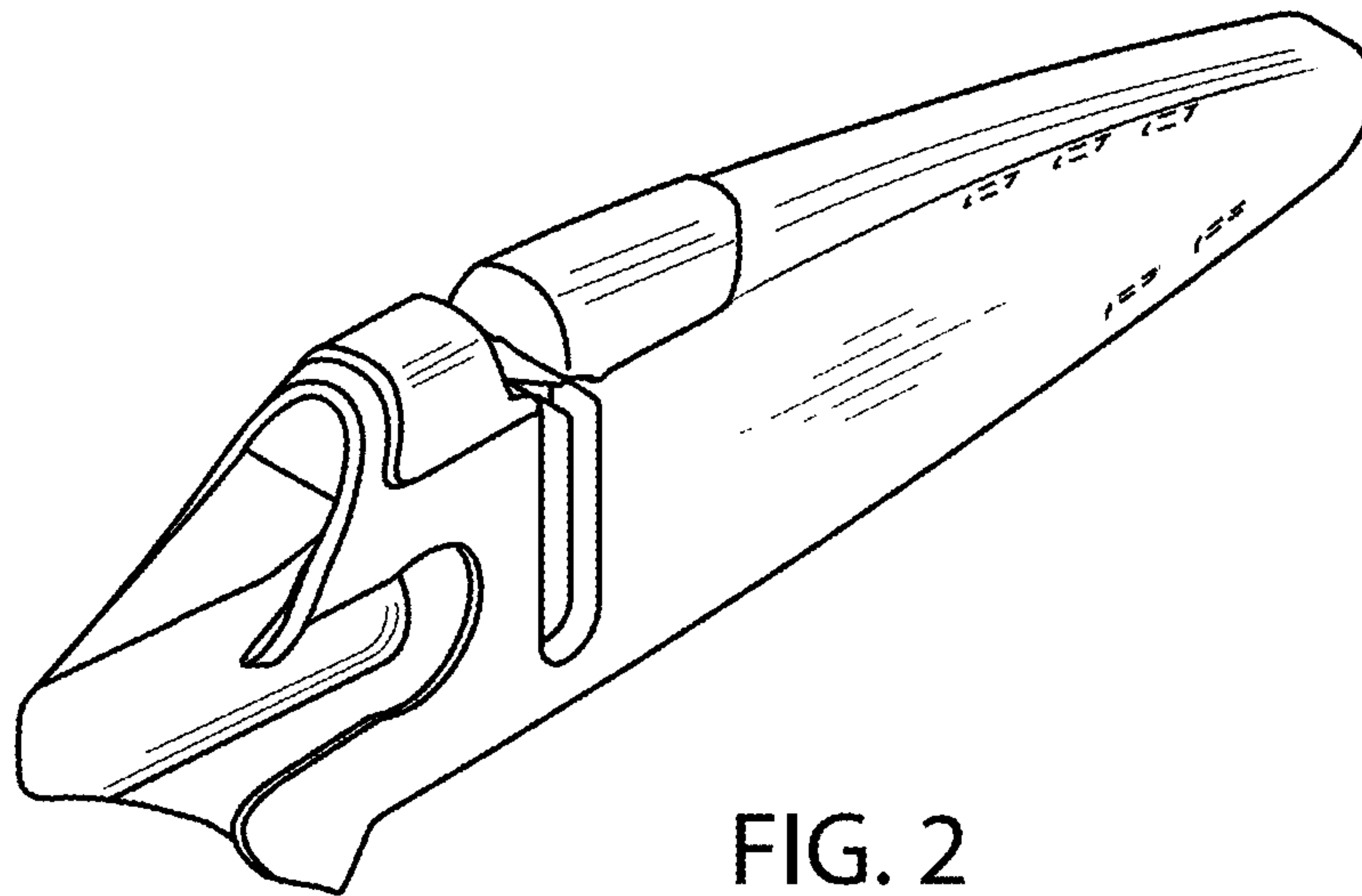


FIG. 2

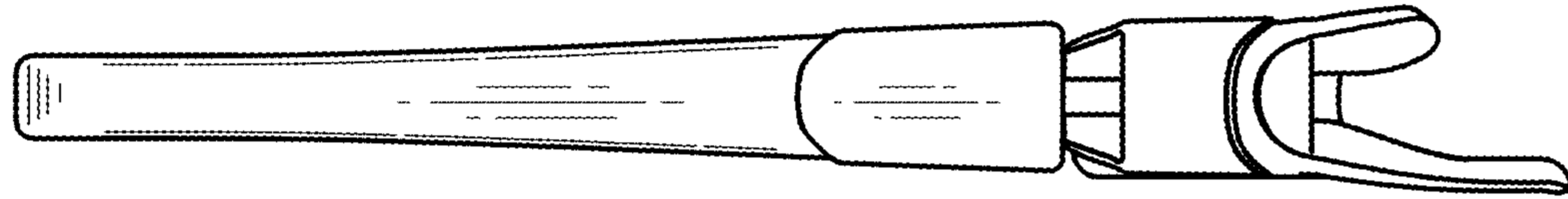


FIG. 3

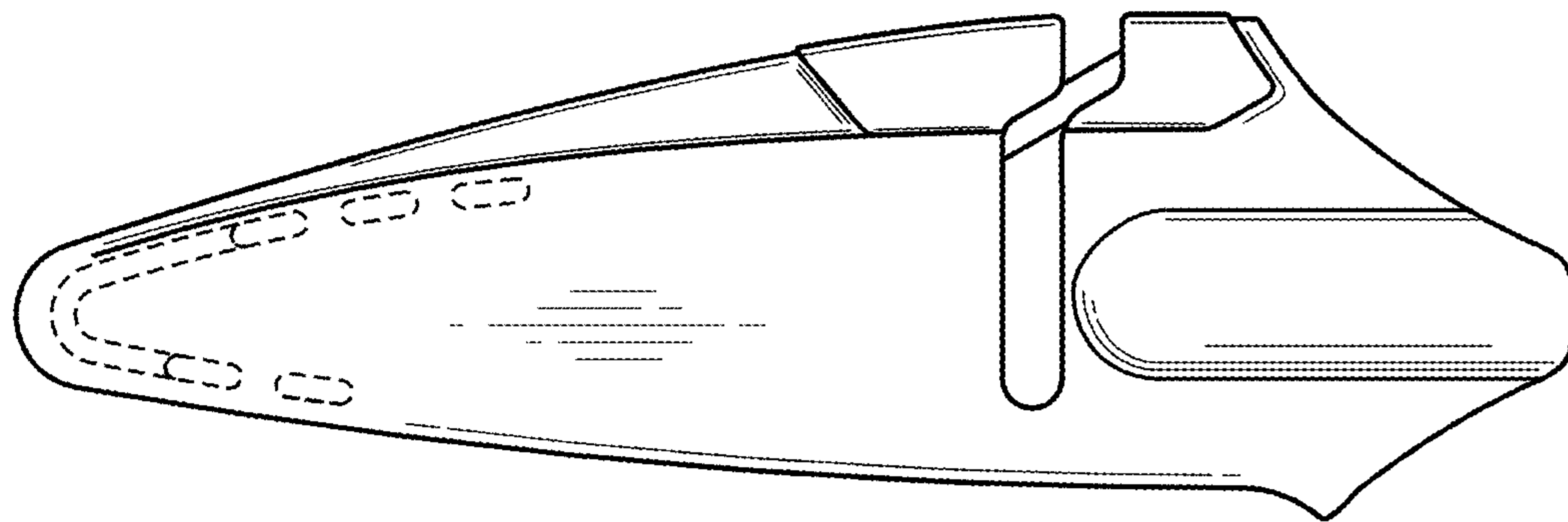


FIG. 4

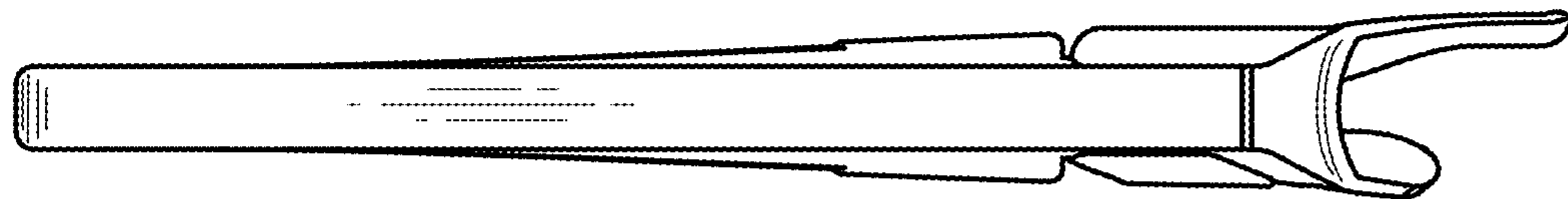


FIG. 5



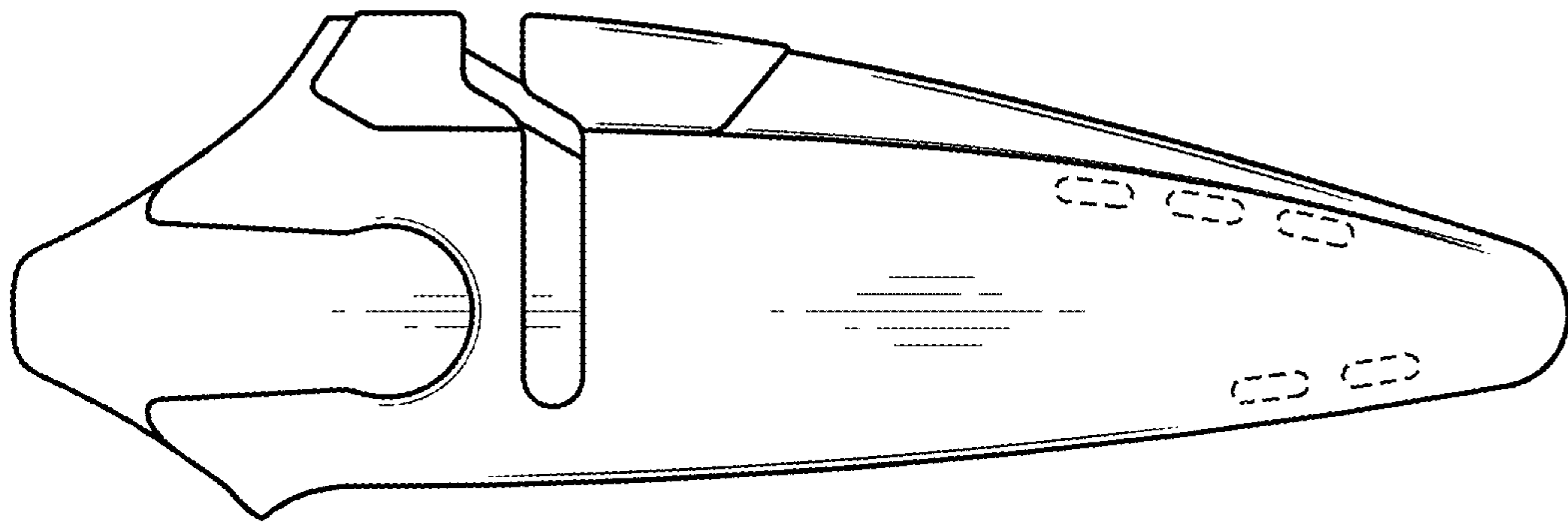


FIG. 6

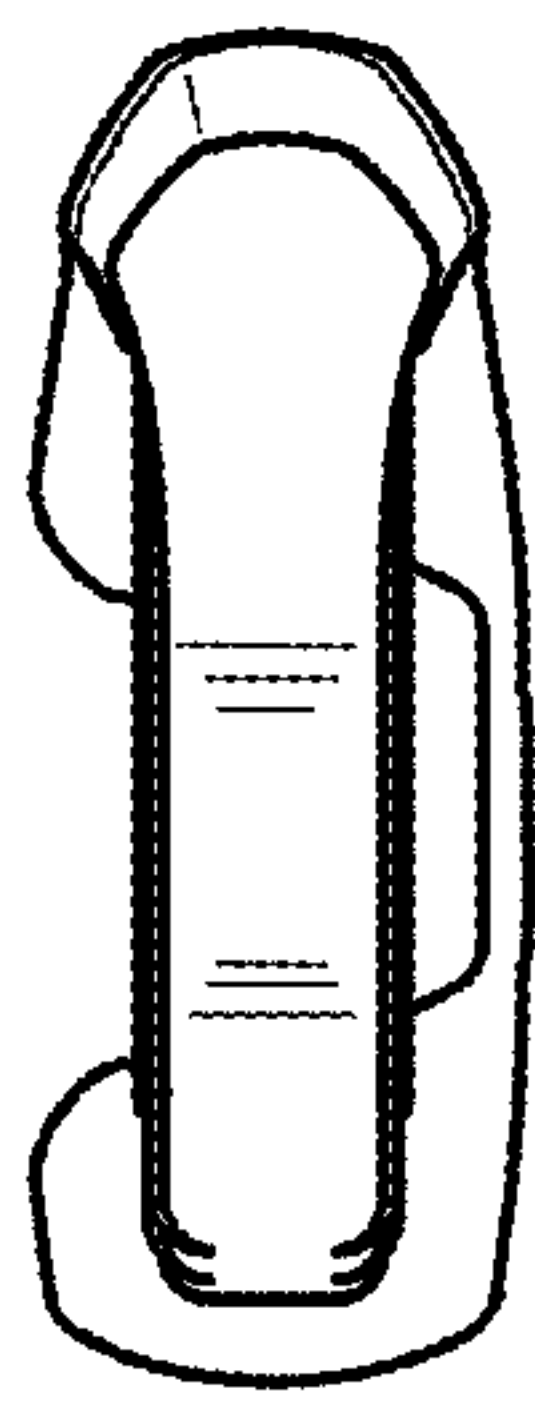


FIG. 7

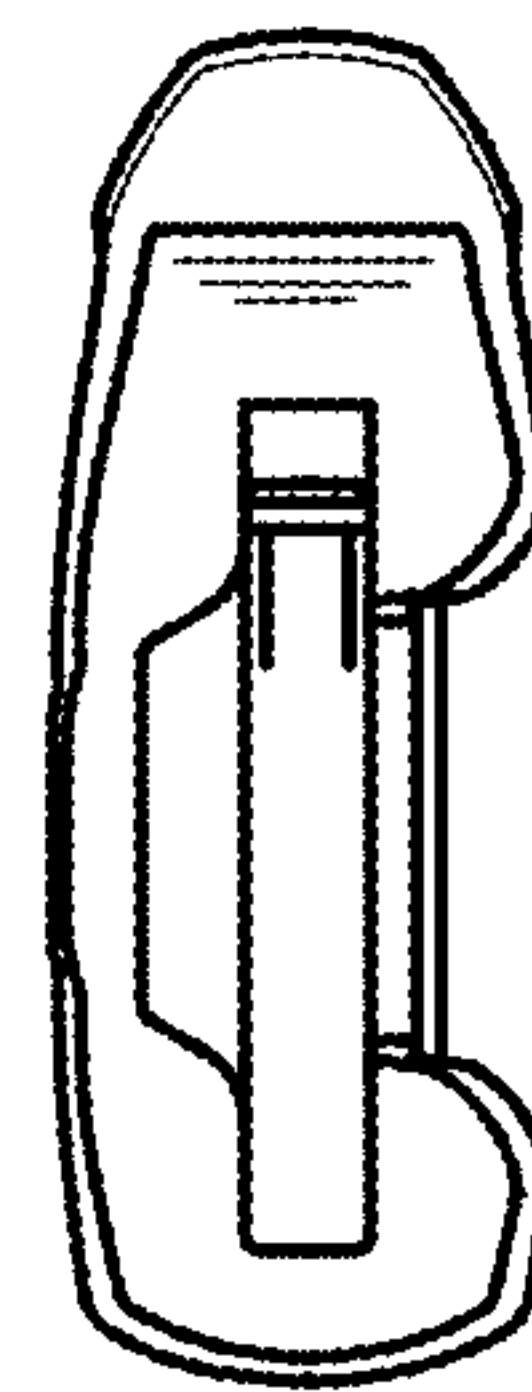


FIG. 8