



US00D799814S

(12) **United States Design Patent**
Reed

(10) **Patent No.:** **US D799,814 S**

(45) **Date of Patent:** **** Oct. 17, 2017**

(54) **BRACELET WITH POCKETS**

(71) Applicant: **Dexter Reed**, Glassboro, NJ (US)

(72) Inventor: **Dexter Reed**, Glassboro, NJ (US)

(**) Term: **15 Years**

(21) Appl. No.: **29/575,069**

(22) Filed: **Aug. 22, 2016**

(51) **LOC (10) Cl.** **03-01**

(52) **U.S. Cl.**
USPC **D3/215**

(58) **Field of Classification Search**
USPC D3/215, 221, 226, 207; 224/219, 222,
224/267, 269; D2/627; 150/131
See application file for complete search history.

(56) **References Cited**

U.S. PATENT DOCUMENTS

1,594,215	A	7/1926	Sides	
2,473,226	A	6/1949	Sheldon	
3,680,751	A	8/1972	Ten Brook	
D391,075	S *	2/1998	Jackson	D3/215
D429,880	S *	8/2000	McCullough, Jr.	D3/215
D437,682	S *	2/2001	Steele	D3/215
6,227,424	B1 *	5/2001	Roegner	A45C 1/04 150/131
6,530,508	B1	3/2003	Devine	
D556,194	S	11/2007	Rambosek et al.	
7,393,336	B2	7/2008	Sloot	
7,686,016	B2	3/2010	Wharton et al.	
D706,532	S *	6/2014	Wilbur	D3/215
D718,522	S *	12/2014	Larsen	D3/215
D745,766	S *	12/2015	Oppelt	D3/215
2008/0217369	A1	9/2008	Sloot	
2009/0111286	A1	4/2009	Giovannoni	
2013/0174320	A1	7/2013	Moye	

2014/0117060 A1 5/2014 Colone et al.

* cited by examiner

Primary Examiner — Catherine R Oliver-Garcia
(74) *Attorney, Agent, or Firm* — Panitch Schwarze
Belisario & Nadel LLP

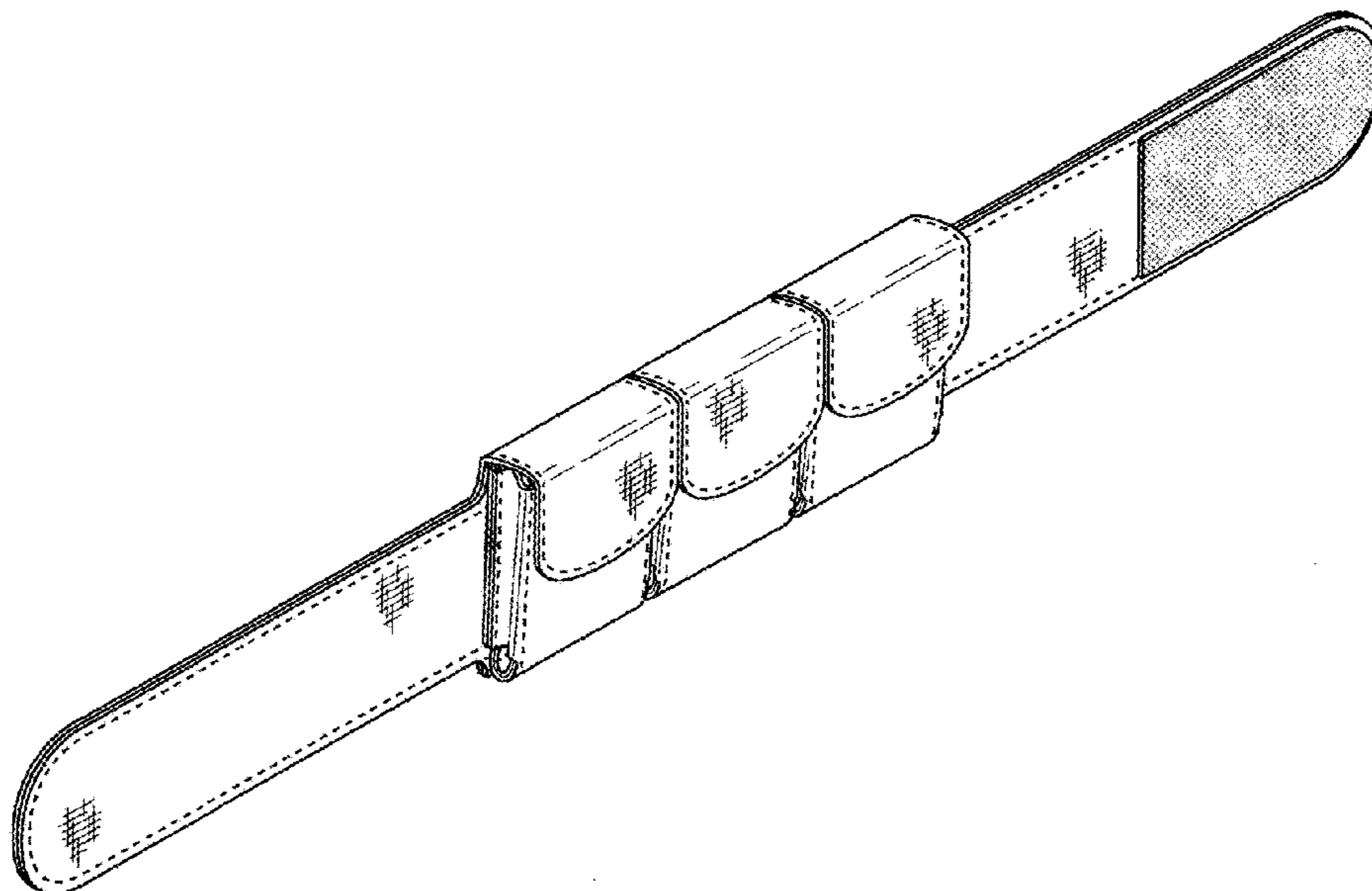
(57) **CLAIM**

The ornamental design for a bracelet with pockets, as shown and described.

DESCRIPTION

FIG. 1 is a front isometric view of a bracelet with pockets in accordance with my new design, with the bracelet shown with the pockets in a closed condition;
FIG. 2 is a front elevational view thereof;
FIG. 3 is a rear elevational view thereof;
FIG. 4 is a right side elevational view thereof;
FIG. 5 is a left side elevational view thereof;
FIG. 6 is a top plan view thereof;
FIG. 7 is a bottom plan view thereof;
FIG. 8 is an front isometric view of a bracelet with pockets in accordance with my new design, with the bracelet having pocket dividers, the bracelet being shown with the pockets in an open condition, with the pocket flaps in a vertical position;
FIG. 9 is a top plan view of the bracelet as shown in FIG. 8, with the pocket flaps open;
FIG. 10 is a front isometric view of a second embodiment of the bracelet with pockets, with the pocket dividers removed. All other aspects of the second embodiment being the same as the first embodiment; and,
FIG. 11 is a top plan view of the bracelet as shown in FIG. 10, with the pocket flaps open.
The broken lines in the figures illustrate stitching visible on the bracelet but do not form a part of the claimed design.

1 Claim, 5 Drawing Sheets



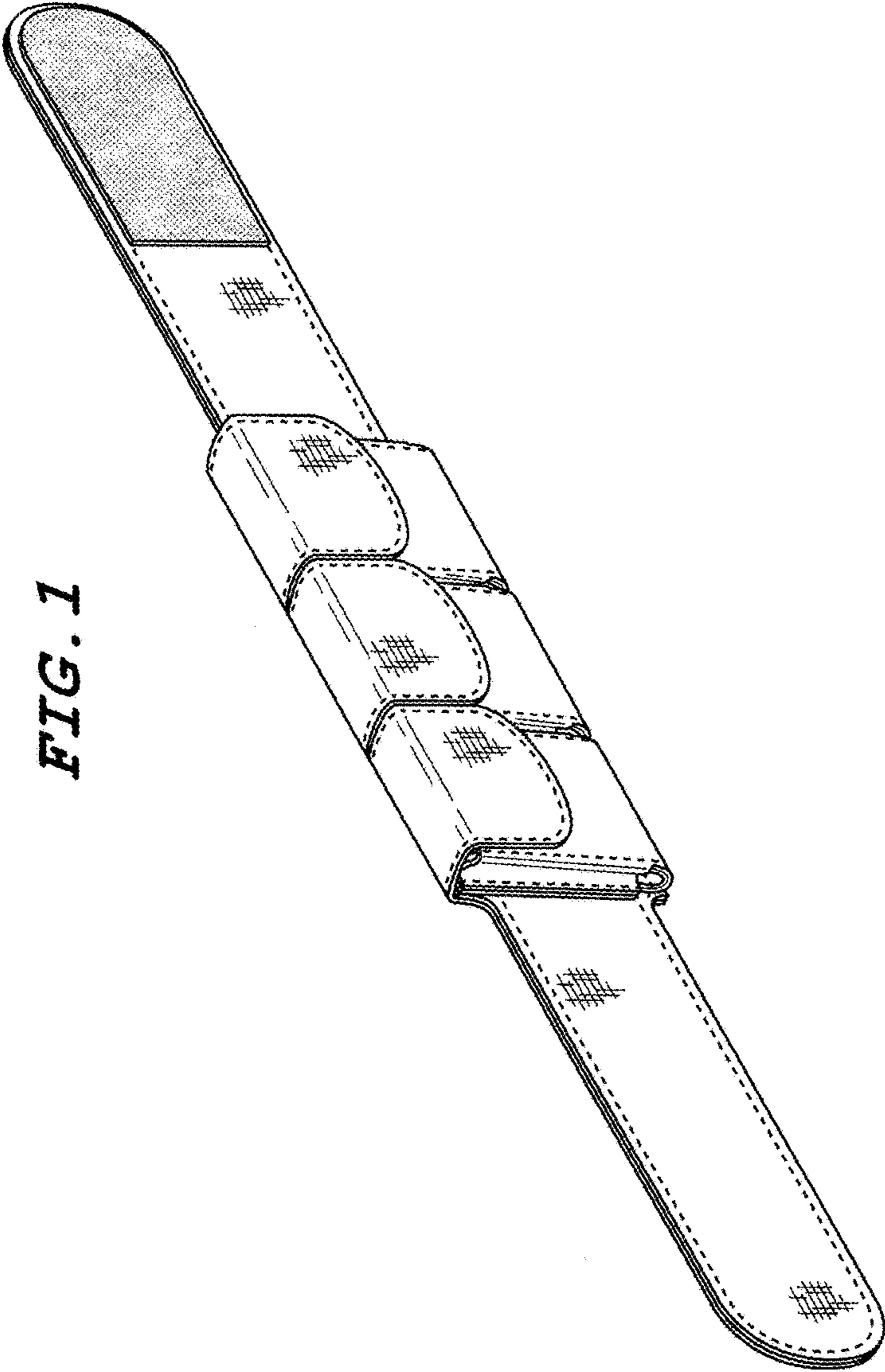


FIG. 1

FIG. 2

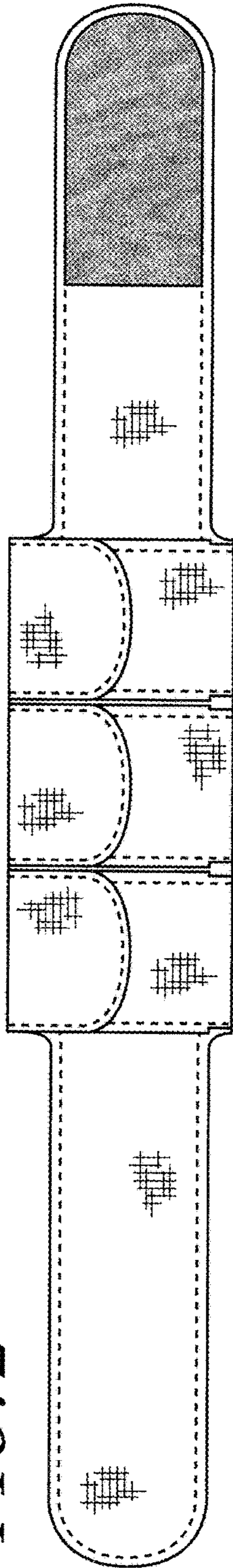


FIG. 3

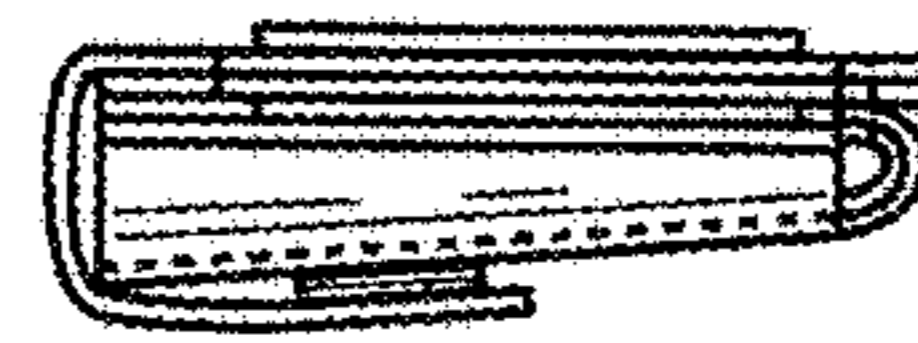
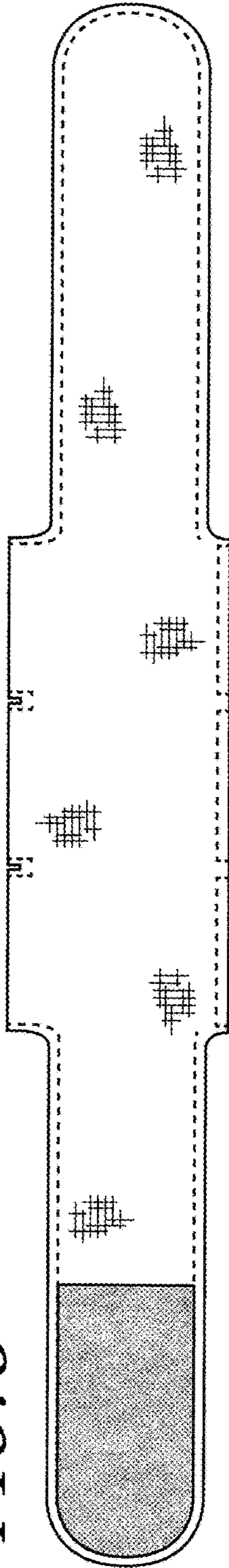


FIG. 4

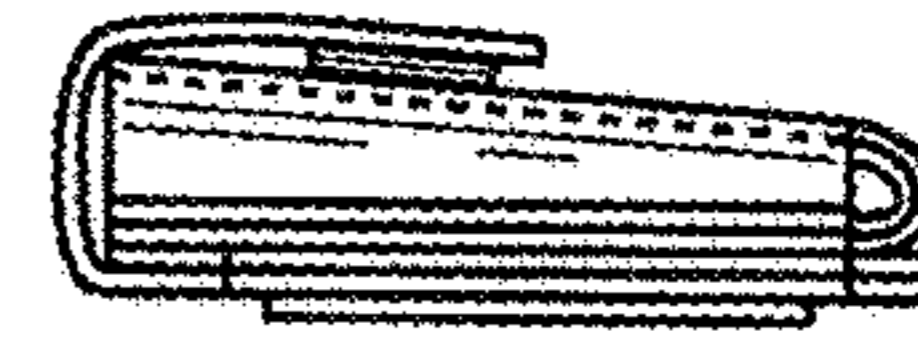


FIG. 5

FIG. 6



FIG. 7



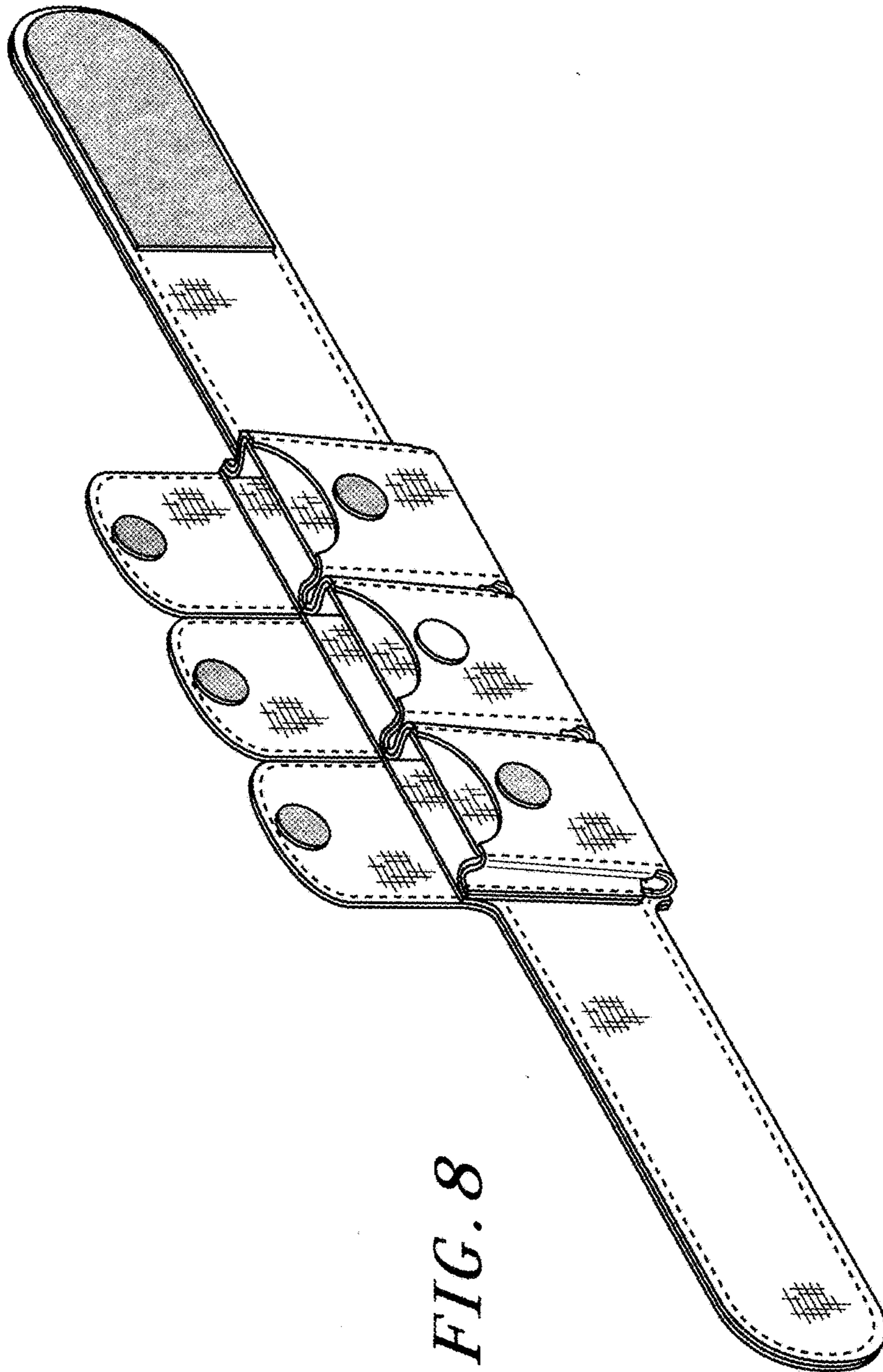


FIG. 8

FIG. 9



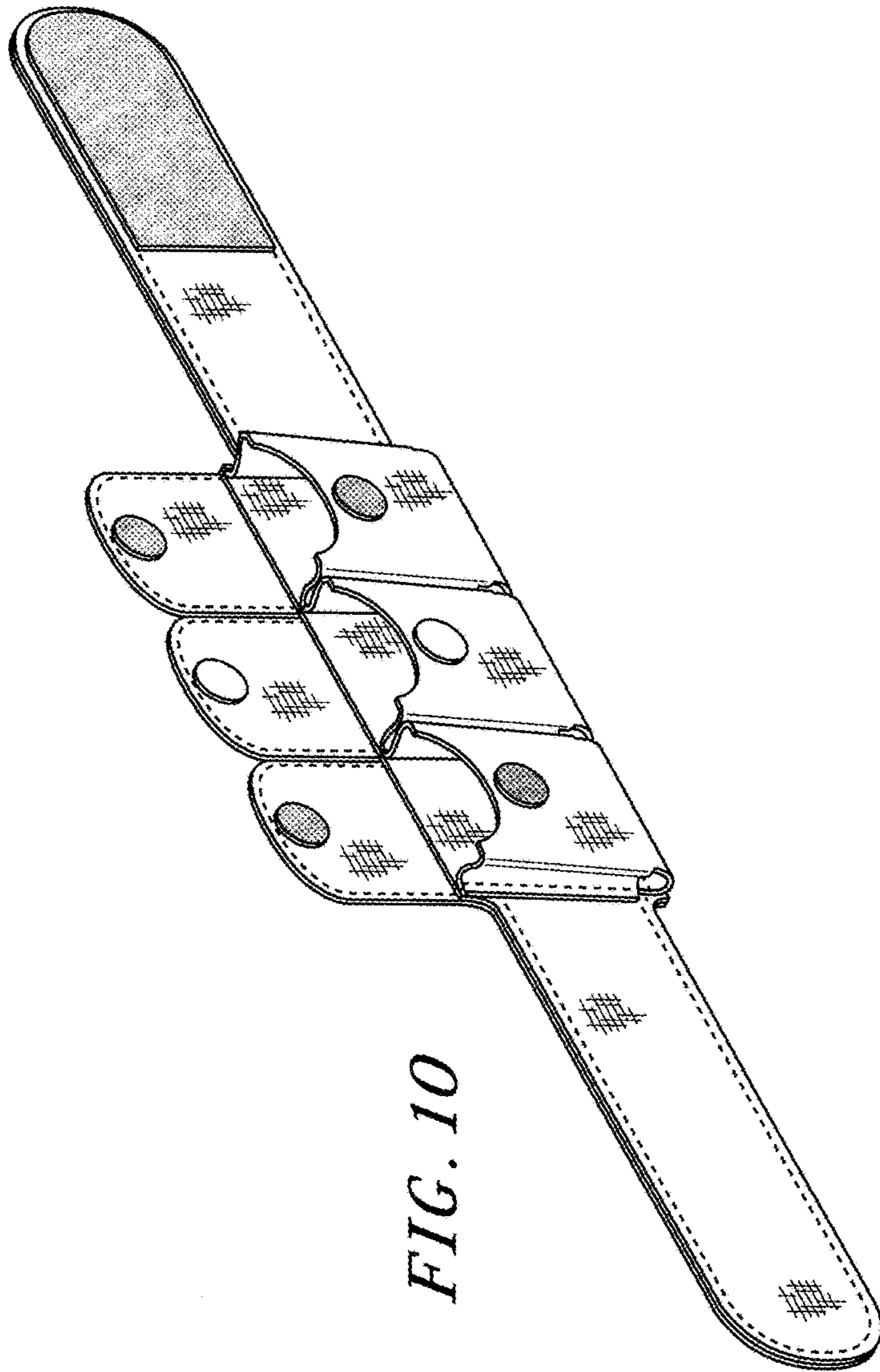


FIG. 10

FIG. 11

