



US00D799813S

(12) **United States Design Patent** (10) **Patent No.:** **US D799,813 S**  
**Wartenberg** (45) **Date of Patent:** **\*\* Oct. 17, 2017**

(54) **PILLBOX HAVING ARTICULABLE SEGMENTS**

(71) Applicant: **Yakov Wartenberg**, Woodmere, NY (US)

(72) Inventor: **Yakov Wartenberg**, Woodmere, NY (US)

(\*\*) Term: **15 Years**

(21) Appl. No.: **29/544,135**

(22) Filed: **Oct. 30, 2015**

(51) **LOC (10) Cl.** ..... **03-01**

(52) **U.S. Cl.**  
USPC ..... **D3/203.3**

(58) **Field of Classification Search**  
USPC ..... D3/201-206, 294, 260, 905;  
206/528-540; D9/737  
CPC ..... A61J 7/04; A61J 7/0069; A61J 7/0084;  
A61J 2205/20; A61J 2205/40  
See application file for complete search history.

(56) **References Cited**

**U.S. PATENT DOCUMENTS**

298,569 A	5/1884	Foster	
2,718,447 A	9/1955	Wright	
4,890,741 A	1/1990	Edelstein	
5,873,463 A	2/1999	Percell	
D418,288 S *	1/2000	Priebe	D3/201
6,533,138 B2	3/2003	Chwen-Ru	
D524,536 S *	7/2006	Warner	D3/202
D525,777 S *	8/2006	Priebe	D3/203.3
D526,478 S *	8/2006	Priebe	D3/203.3
D545,563 S	7/2007	Margiotta	

(Continued)

*Primary Examiner* — Catherine R Oliver-Garcia  
(74) *Attorney, Agent, or Firm* — Relevant IP, LLC

(57) **CLAIM**

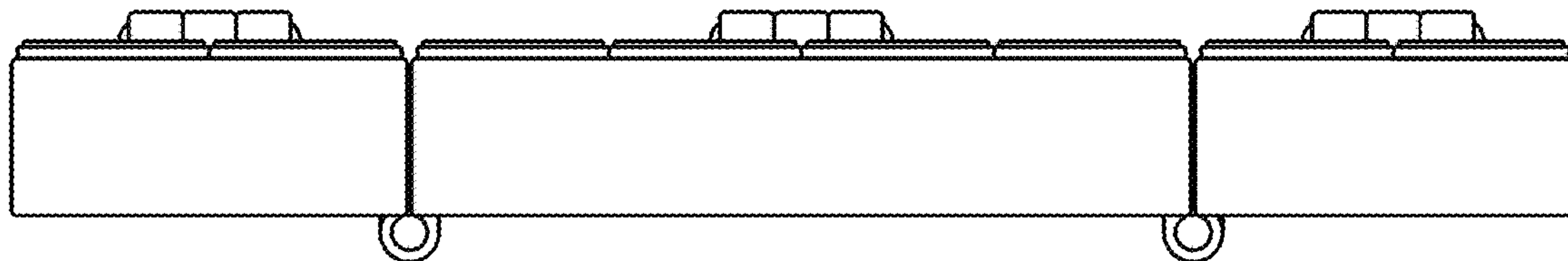
I claim the ornamental design for a pillbox having articulable segments, as shown and described.

**DESCRIPTION**

FIG. 1 is a front elevational view of a pillbox having articulable segments in an open position;  
FIG. 2 is a plan view thereof;  
FIG. 3 is a right side elevational view thereof;  
FIG. 4 is a left side elevational view thereof;  
FIG. 5 is a bottom view thereof;  
FIG. 6 is a rear elevational view thereof;  
FIG. 7 is a front elevational view thereof in a half-closed position;  
FIG. 8 is a plan view thereof;  
FIG. 9 is a right side elevational view thereof;  
FIG. 10 is a left side elevational view thereof;  
FIG. 11 is a bottom view thereof;  
FIG. 12 is a rear elevational view thereof;  
FIG. 13 is a front elevational view thereof in a three-quarters-closed position;  
FIG. 14 is a plan view thereof;  
FIG. 15 is a right side elevational view thereof;  
FIG. 16 is a left side elevational view thereof;  
FIG. 17 is a bottom view thereof;  
FIG. 18 is a rear elevational view thereof;  
FIG. 19 is a front elevational view thereof in a closed position;  
FIG. 20 is a plan view thereof;  
FIG. 21 is a right side elevational view thereof;  
FIG. 22 is a left side elevational view thereof;  
FIG. 23 is a bottom view thereof; and,  
FIG. 24 is a rear elevational view thereof.

The nature and intended use of the article in which the design is embodied are as a receptacle for organizing and storing articles, preferably, but not limited to medication.

**1 Claim, 24 Drawing Sheets**



(56)

**References Cited**

U.S. PATENT DOCUMENTS

7,261,206	B2	8/2007	Rulifson	
8,132,672	B2	3/2012	Ganti	
8,550,248	B1	10/2013	Busen	
D727,011	S *	4/2015	Priebe .....	D3/203.3
D761,009	S *	7/2016	Jewell .....	D3/203.3
D777,419	S *	1/2017	Noble .....	D3/203.3
2004/0159576	A1 *	8/2004	Holmberg .....	A61J 7/0069 206/538
2013/0233859	A1	9/2013	Safarik	
2014/0008258	A1	1/2014	Clark et al.	

\* cited by examiner

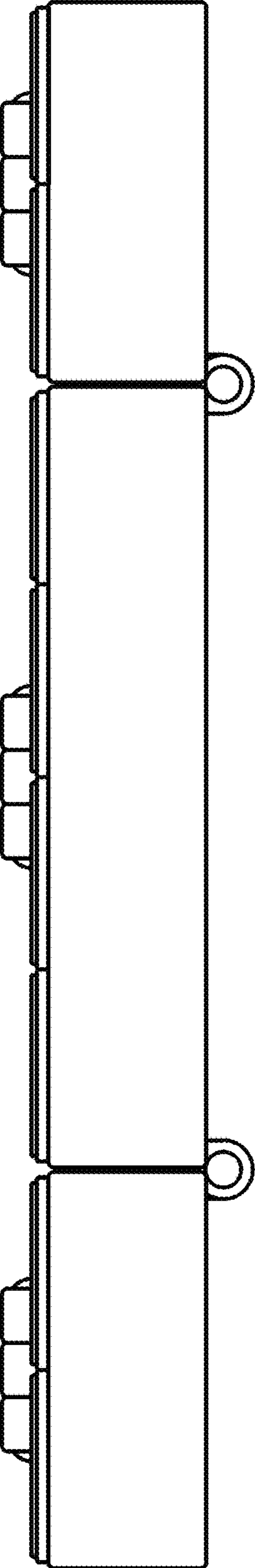


Fig. 1

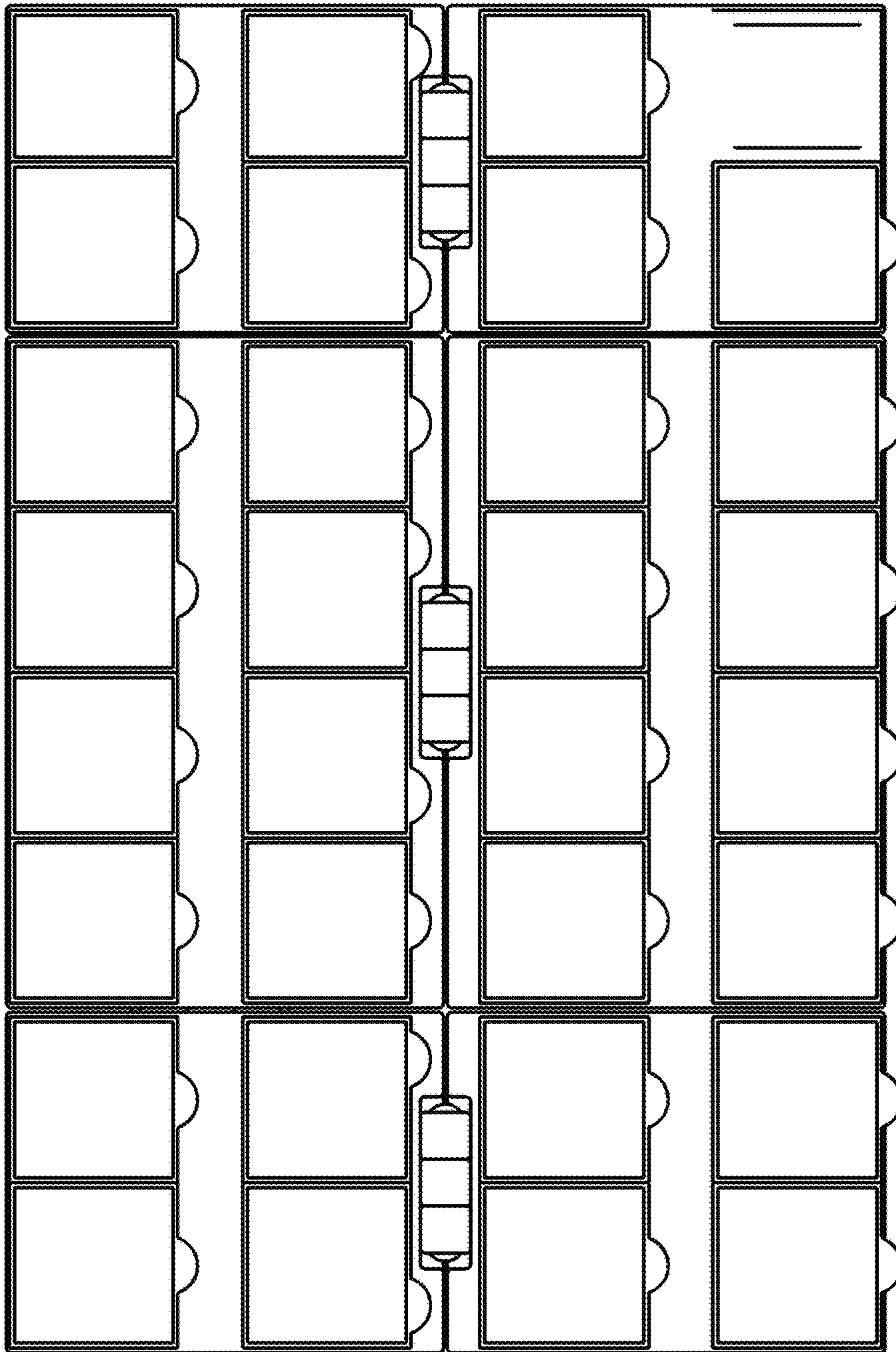


Fig. 2

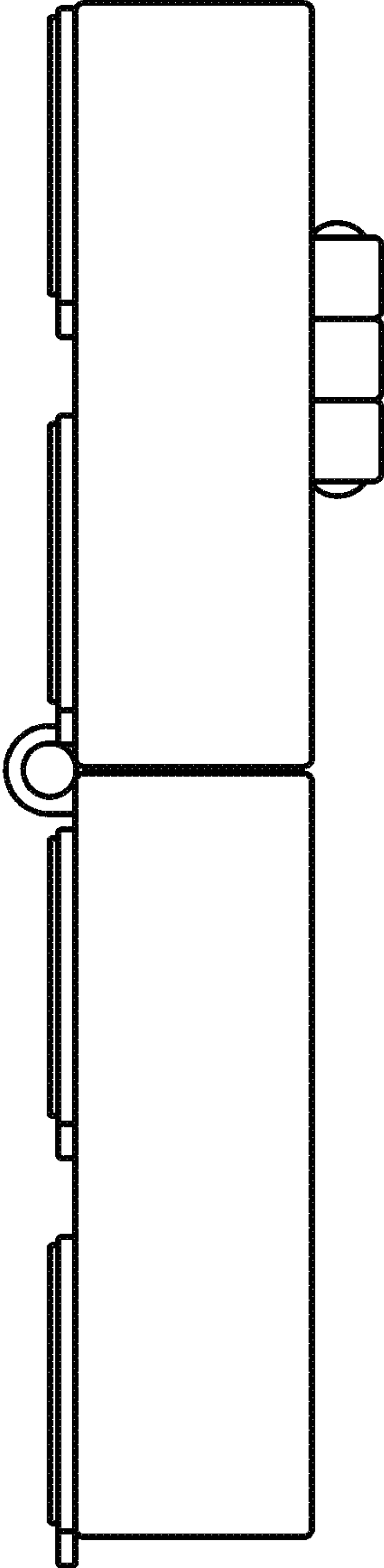


Fig. 3

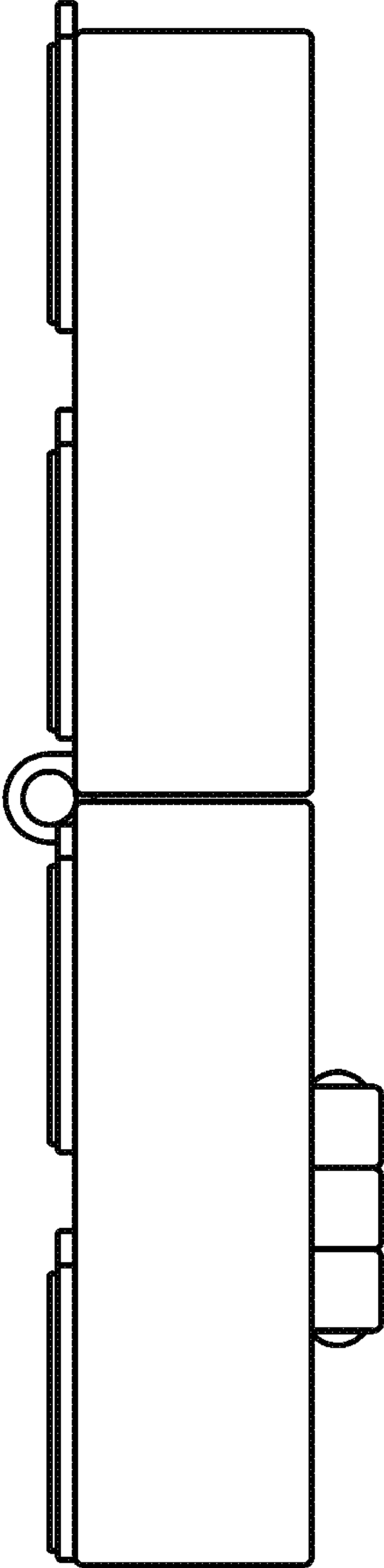


Fig. 4

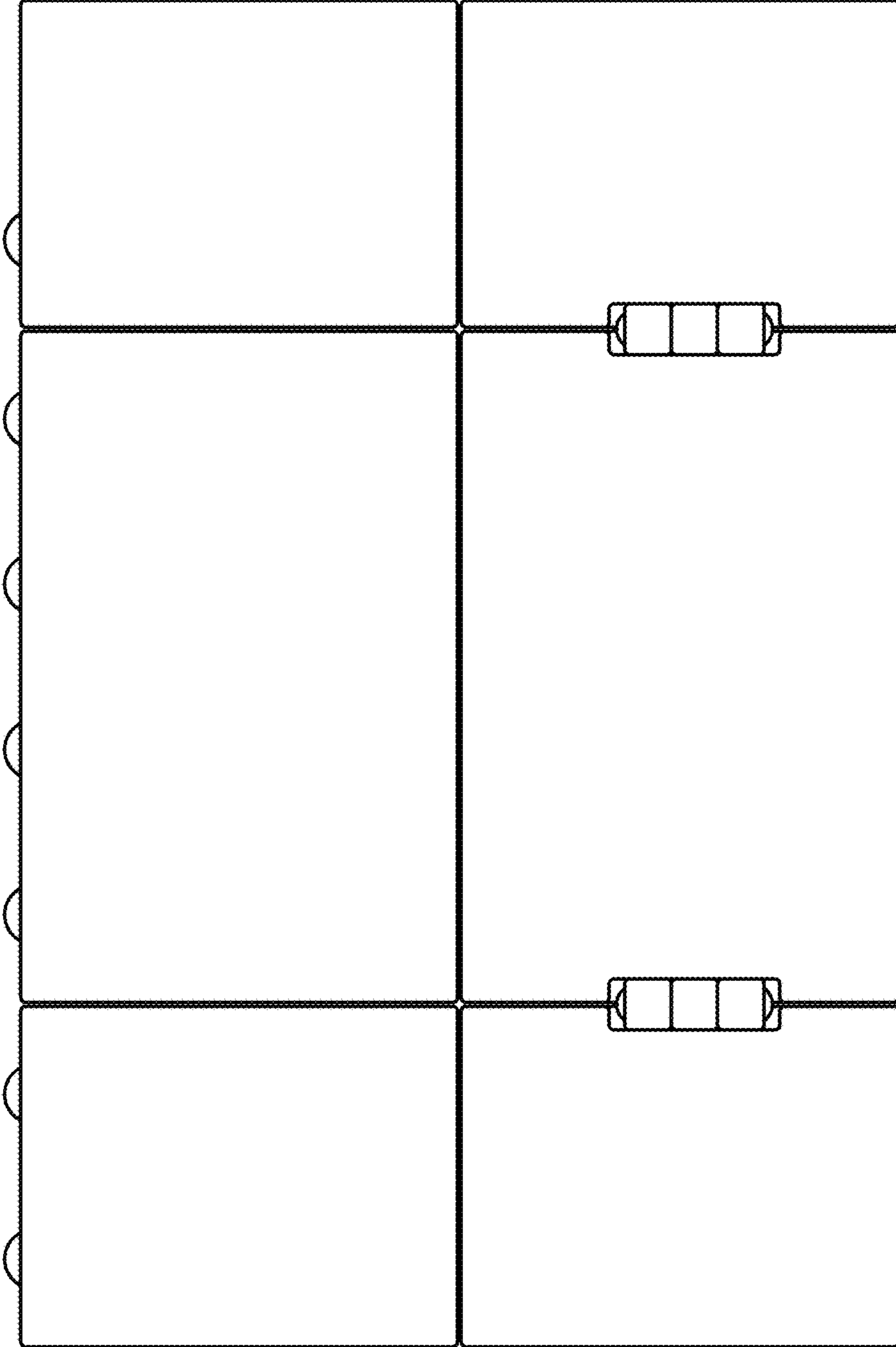


Fig. 5

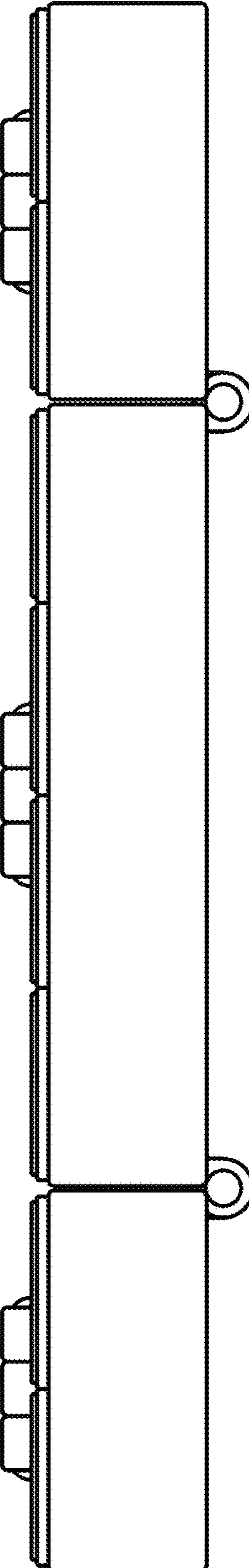


Fig. 6



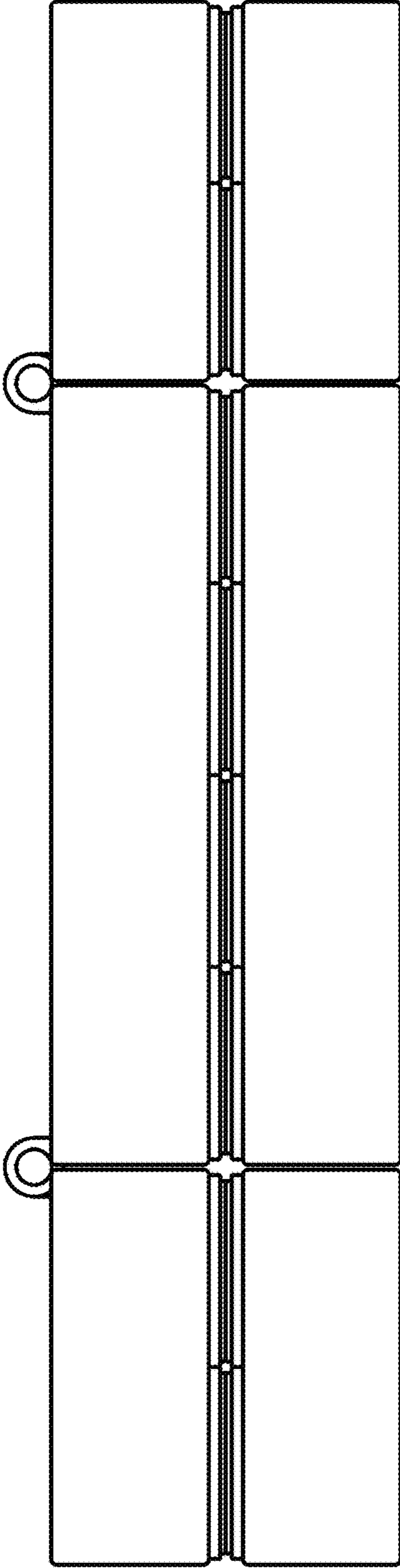


Fig. 7

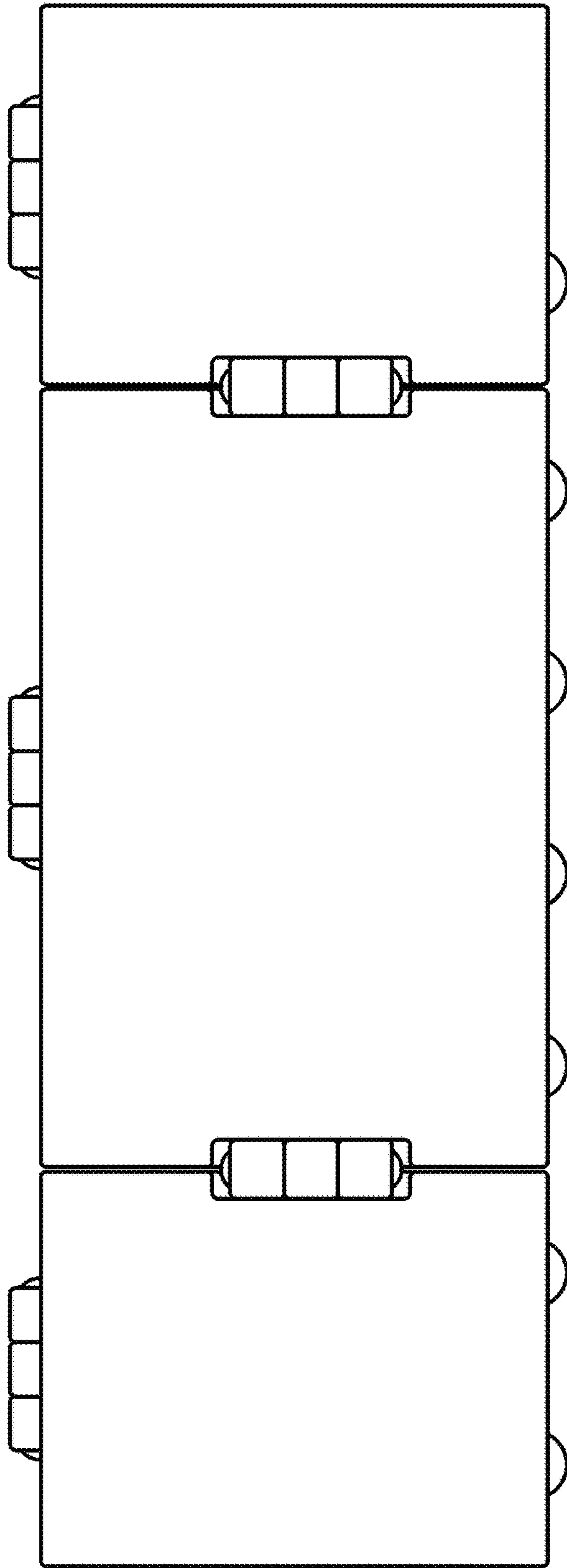


Fig. 8

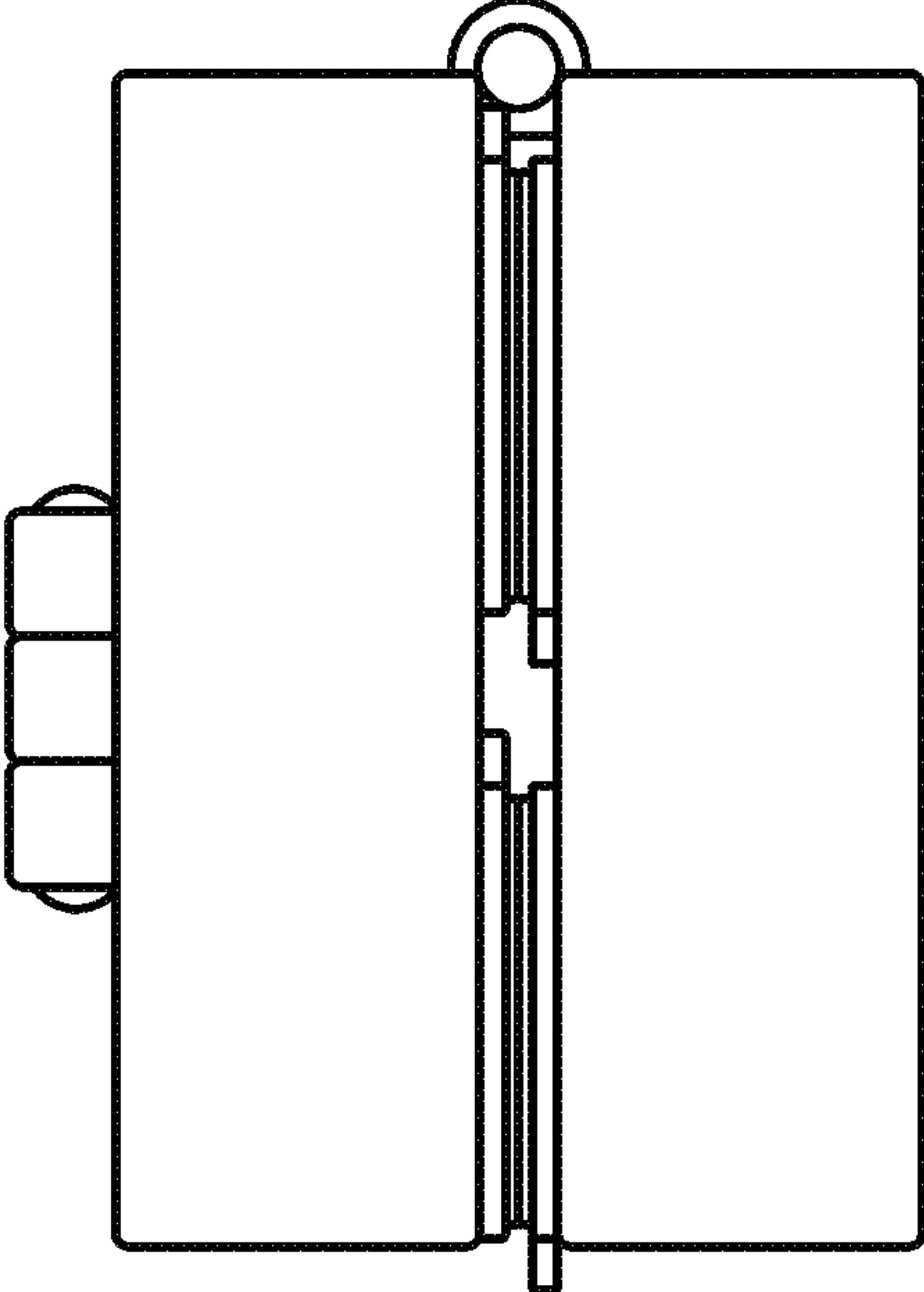


Fig. 9

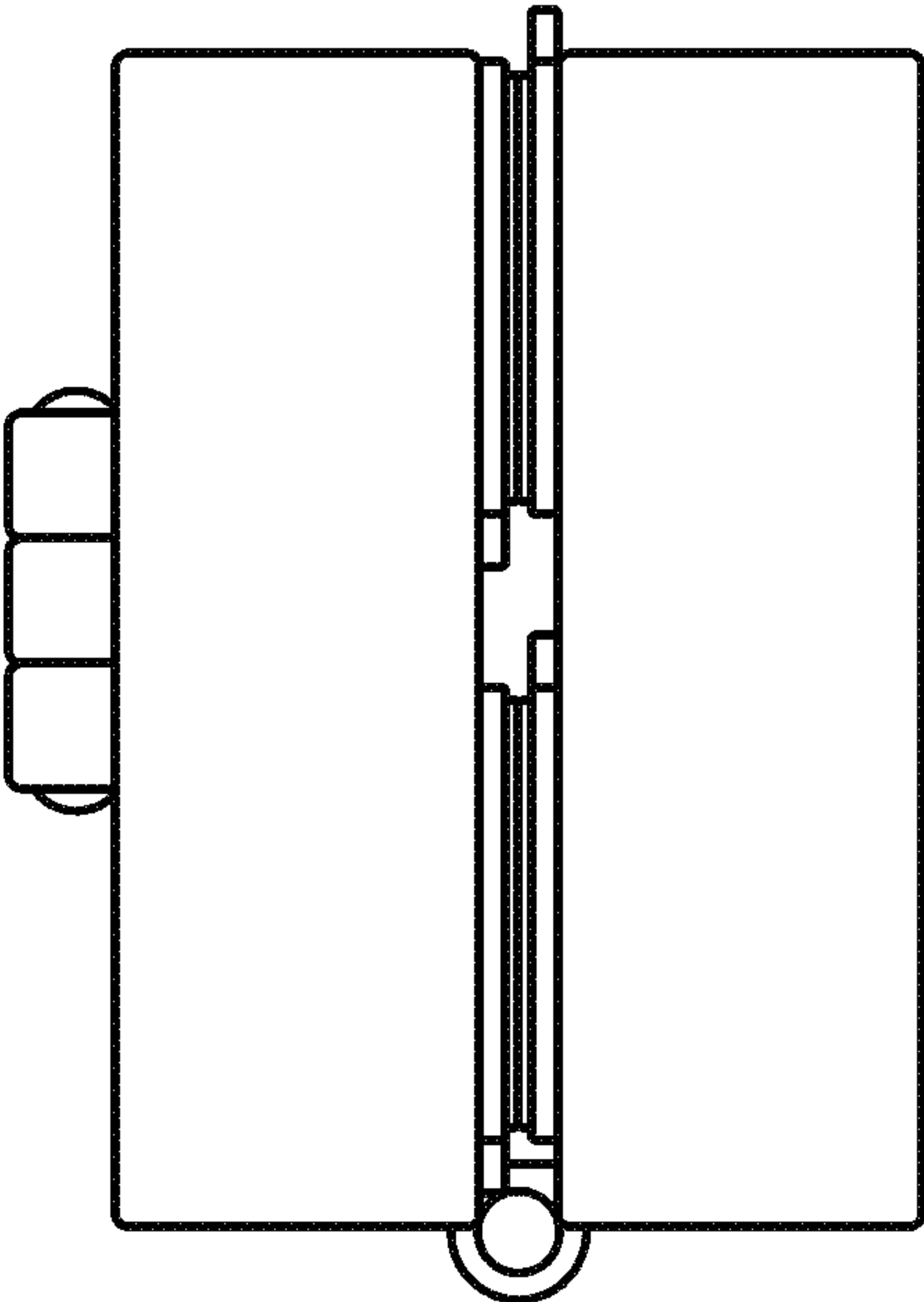


Fig. 10

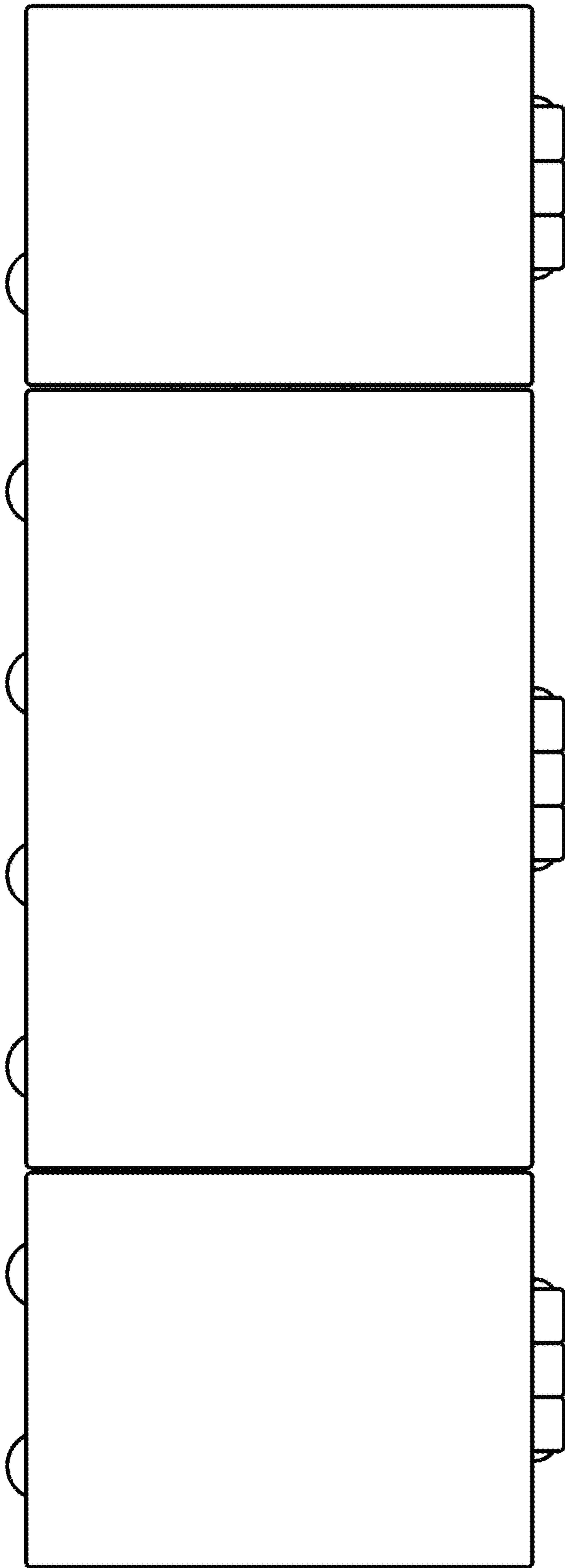


Fig. 11

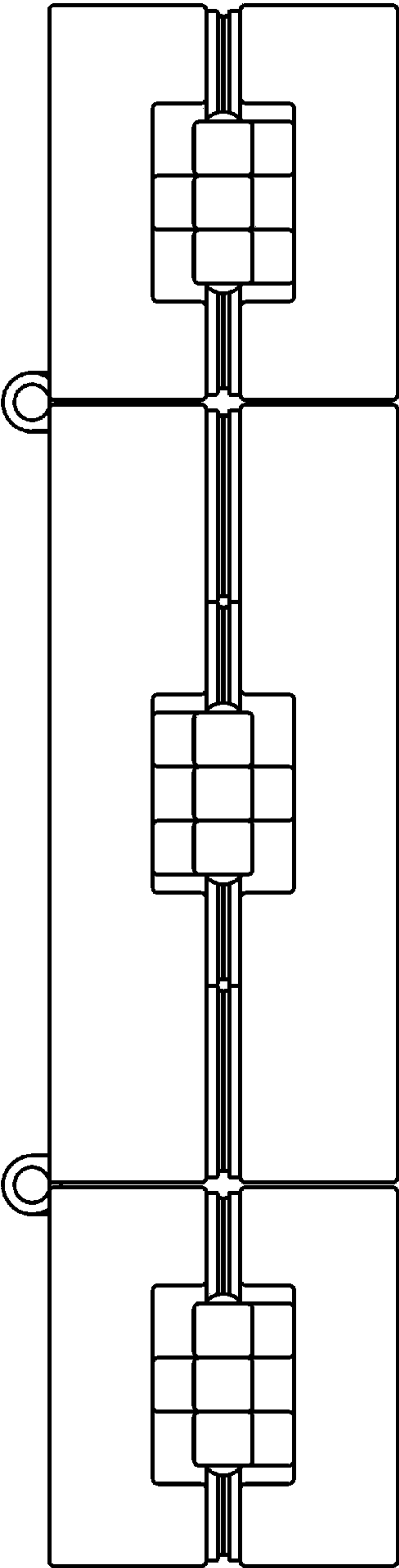


Fig. 12

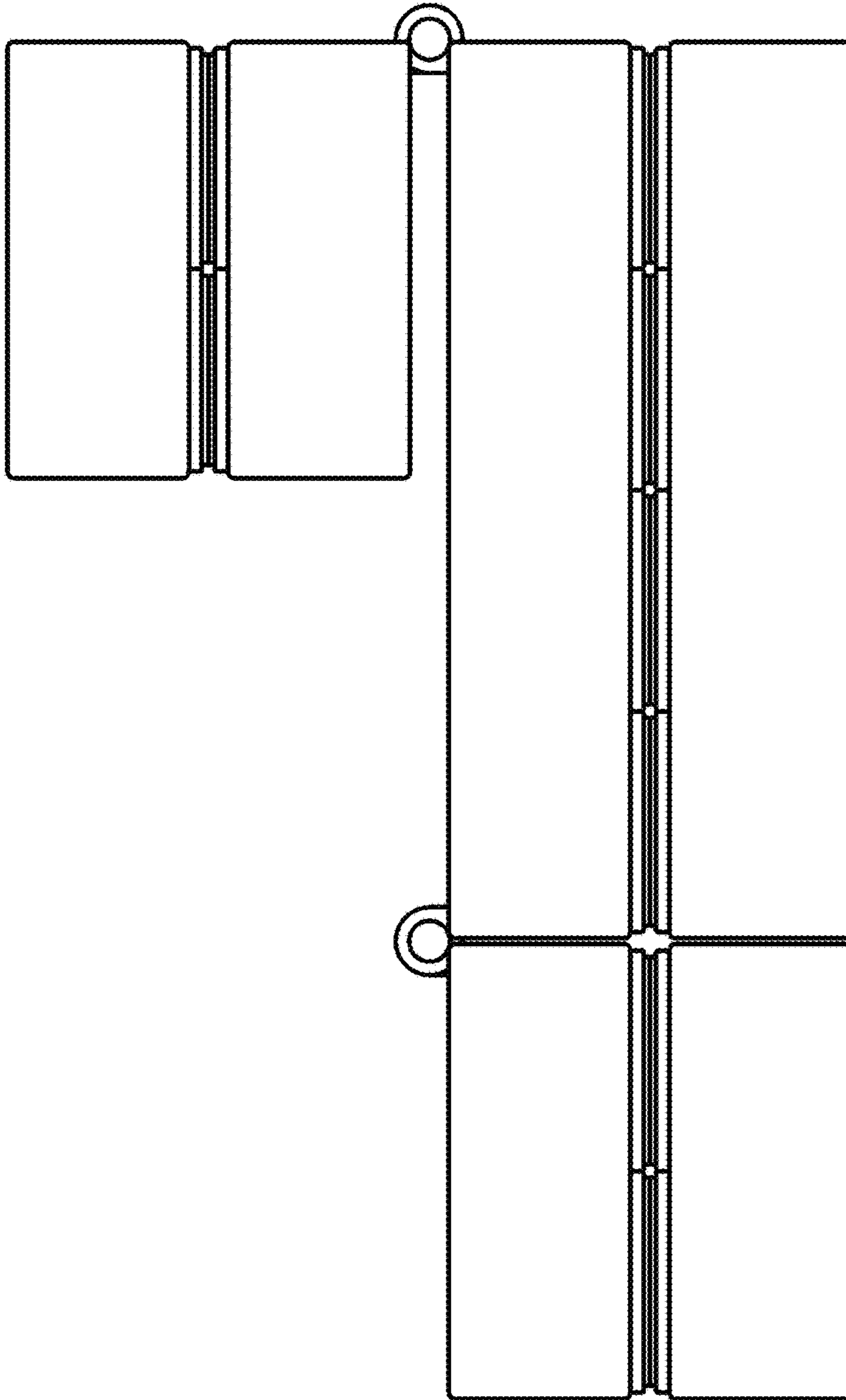


Fig. 13

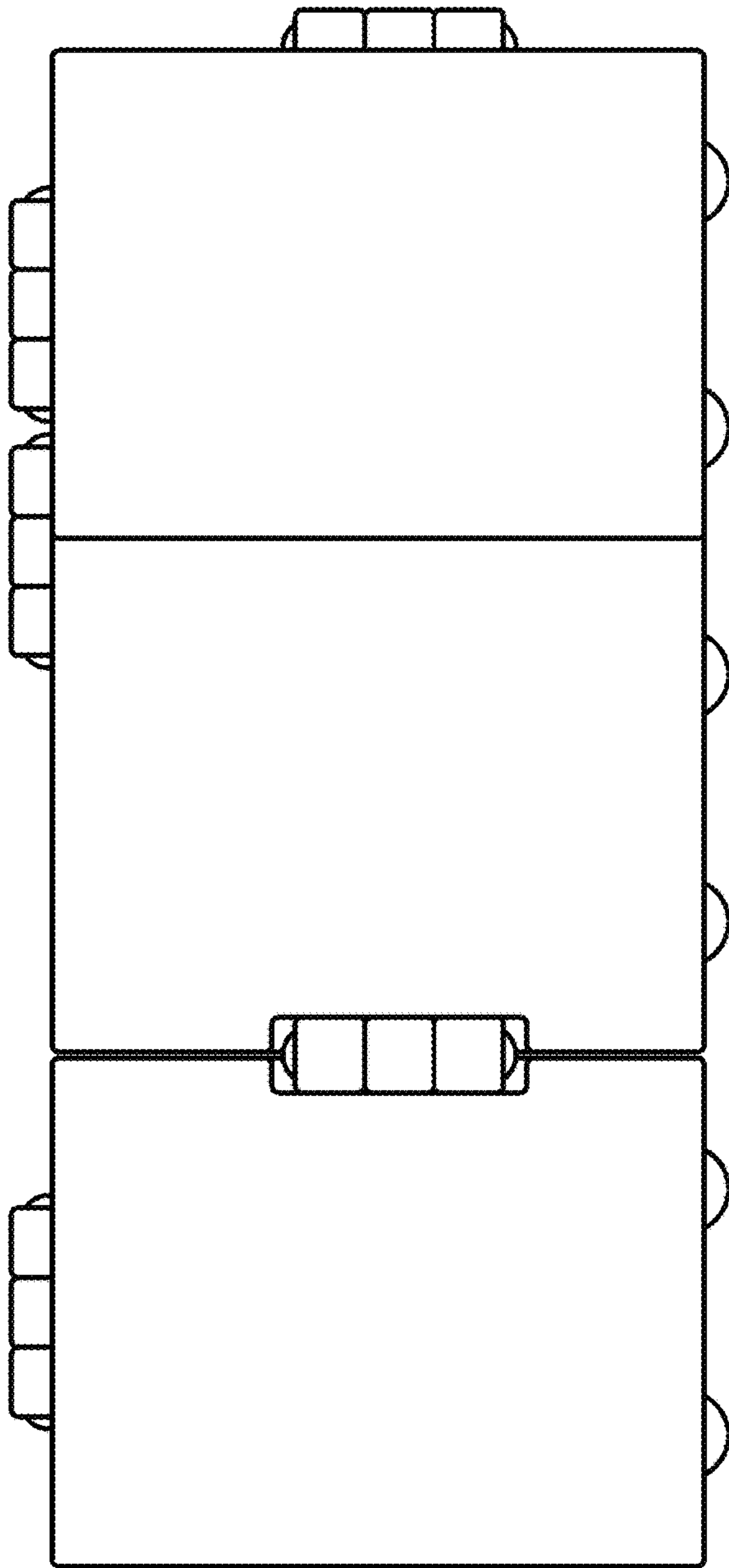


Fig. 14



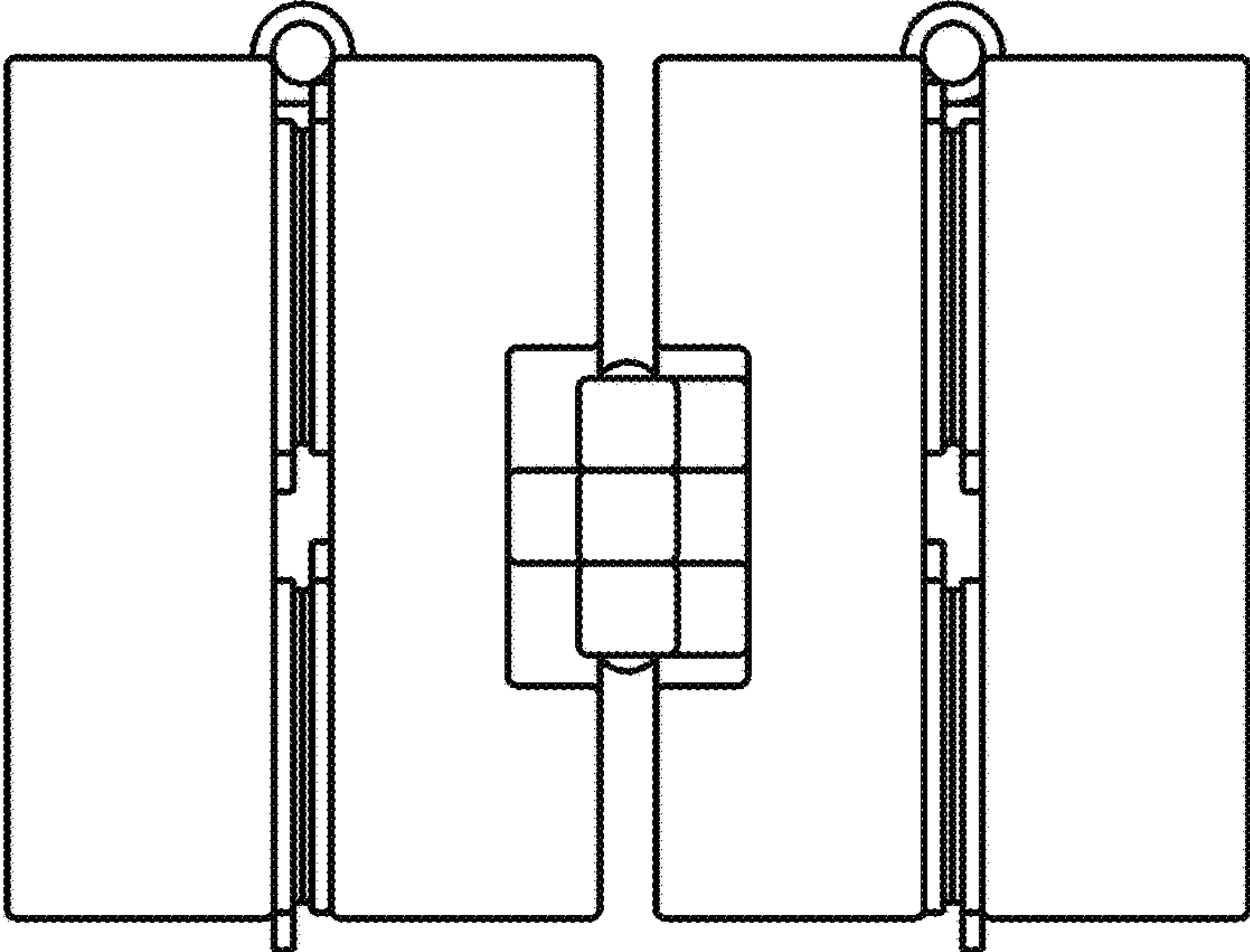


Fig. 15

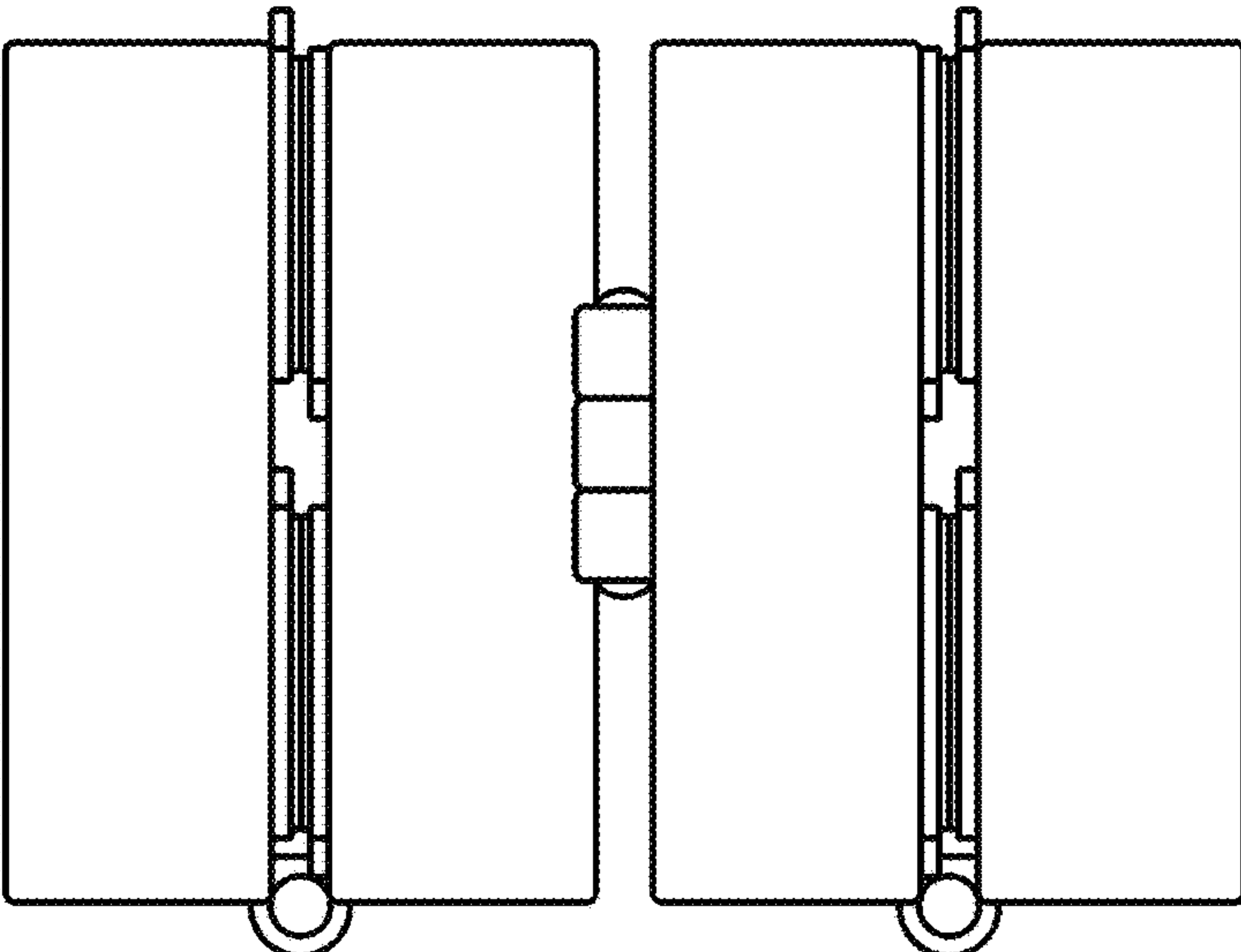


Fig. 16

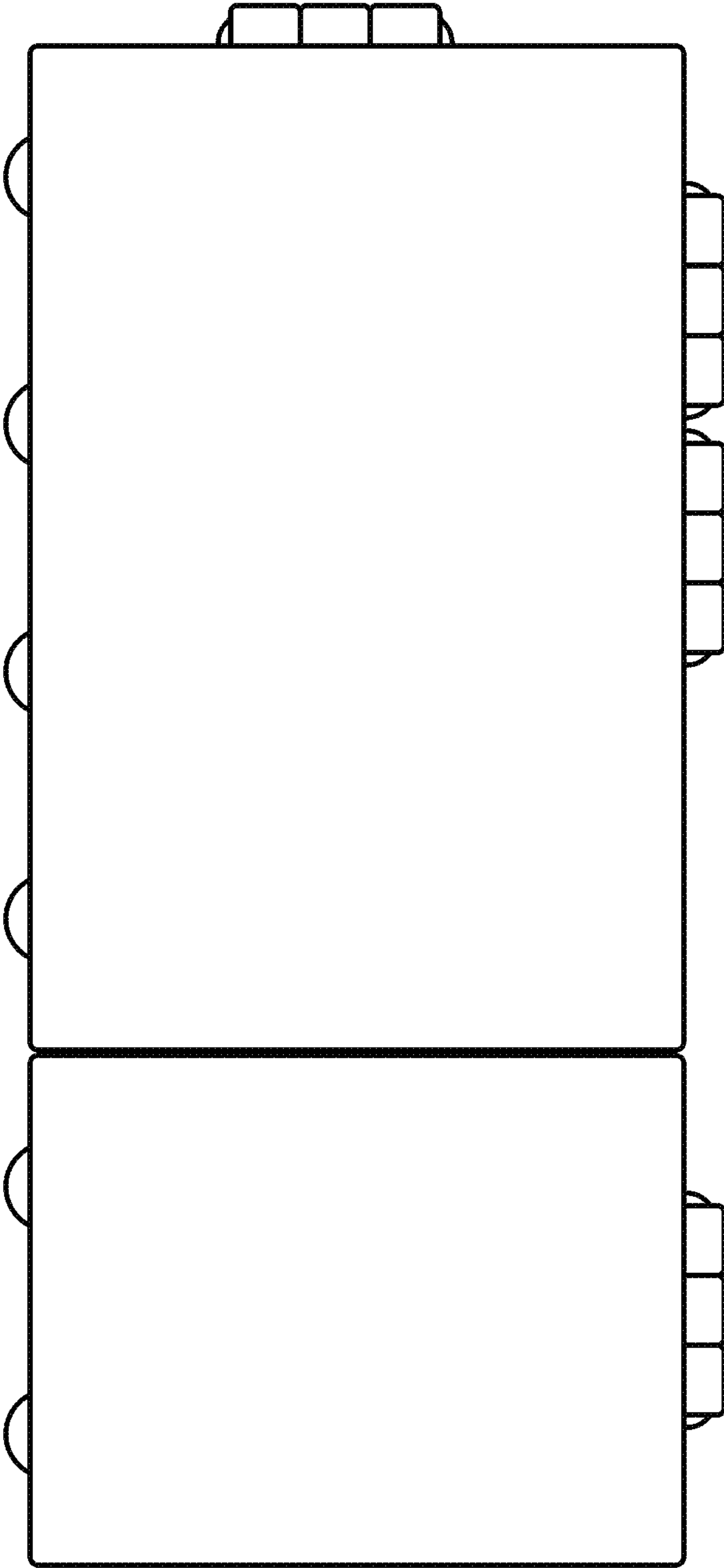


Fig. 17

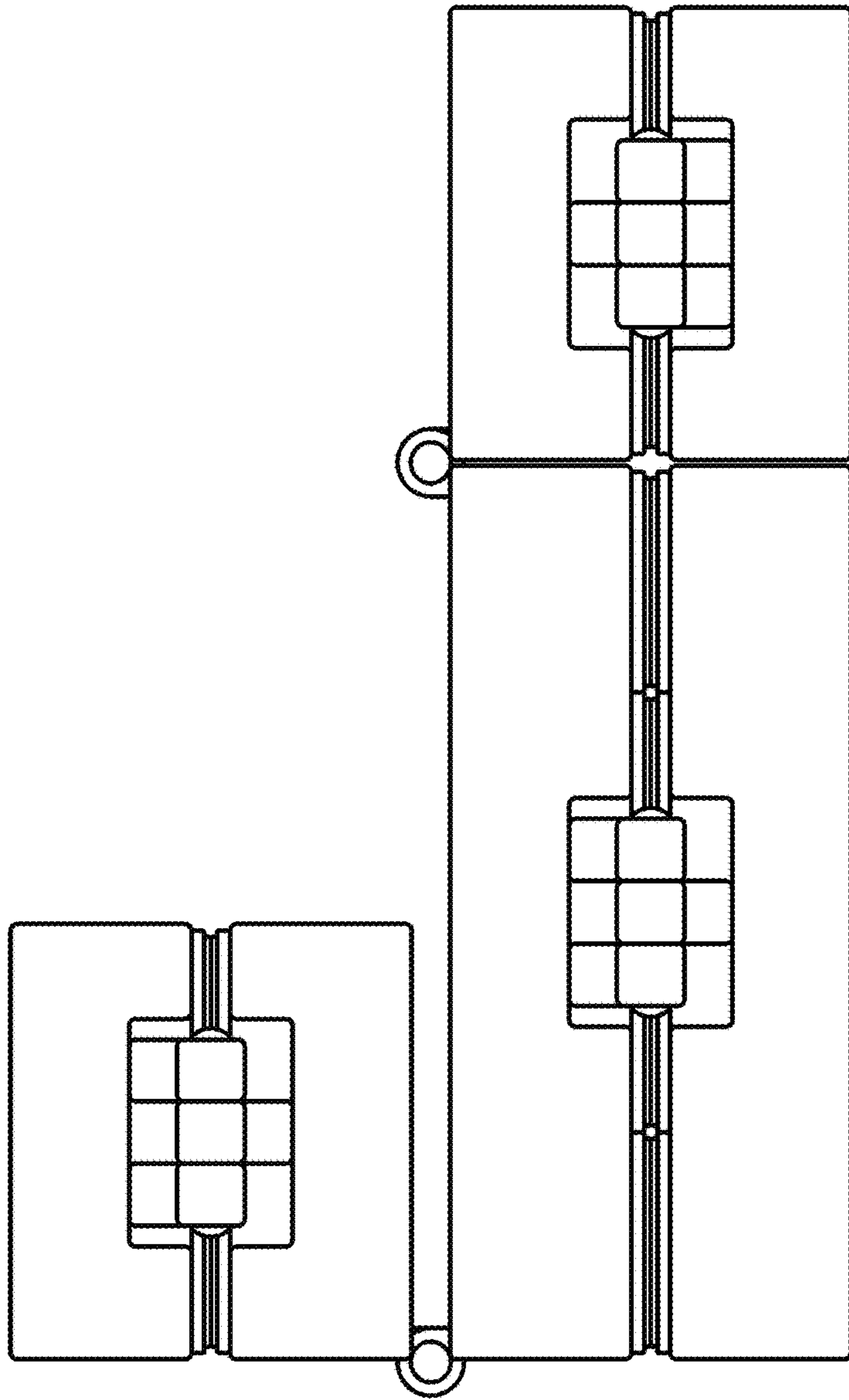


Fig. 18

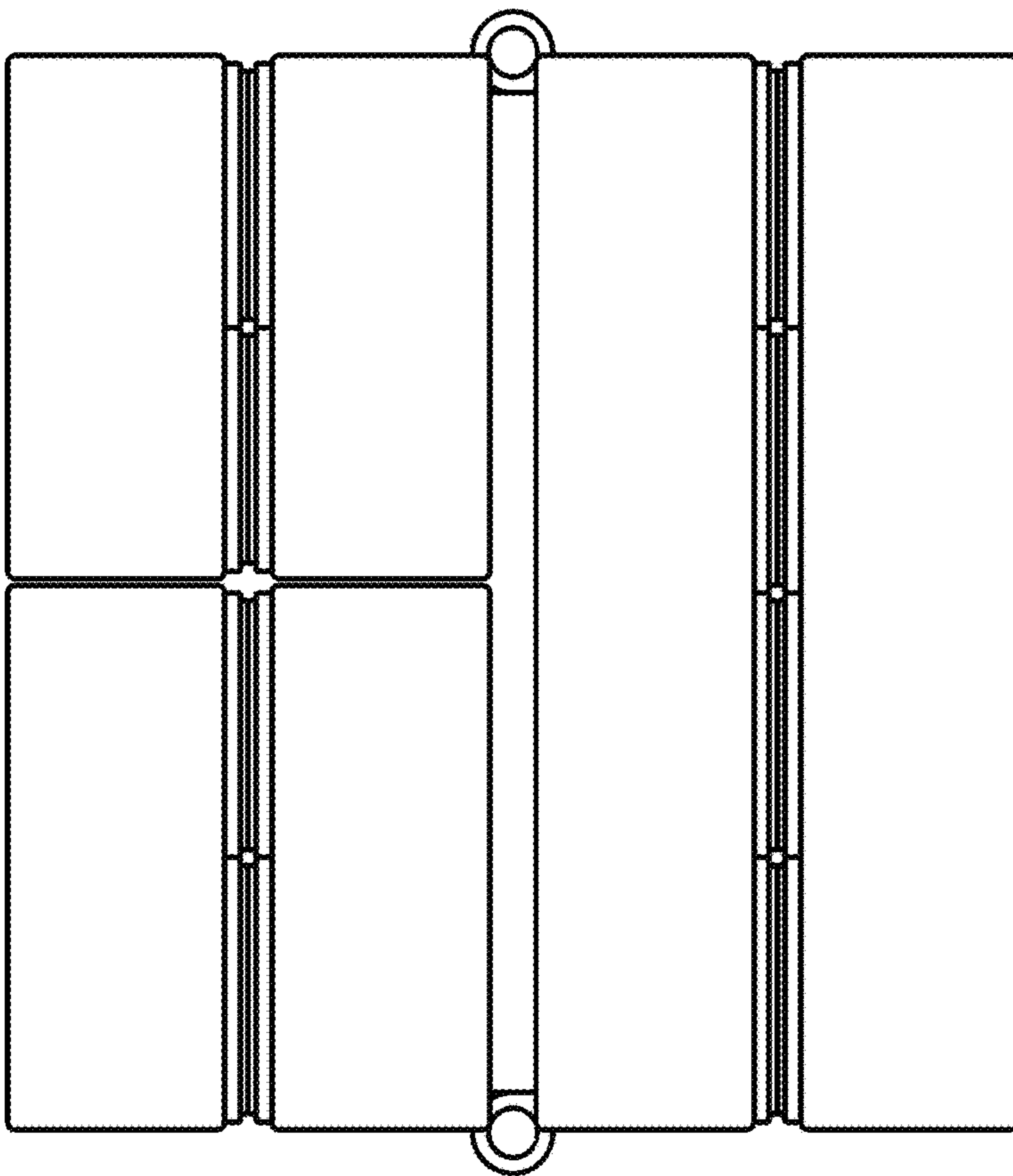


Fig. 19

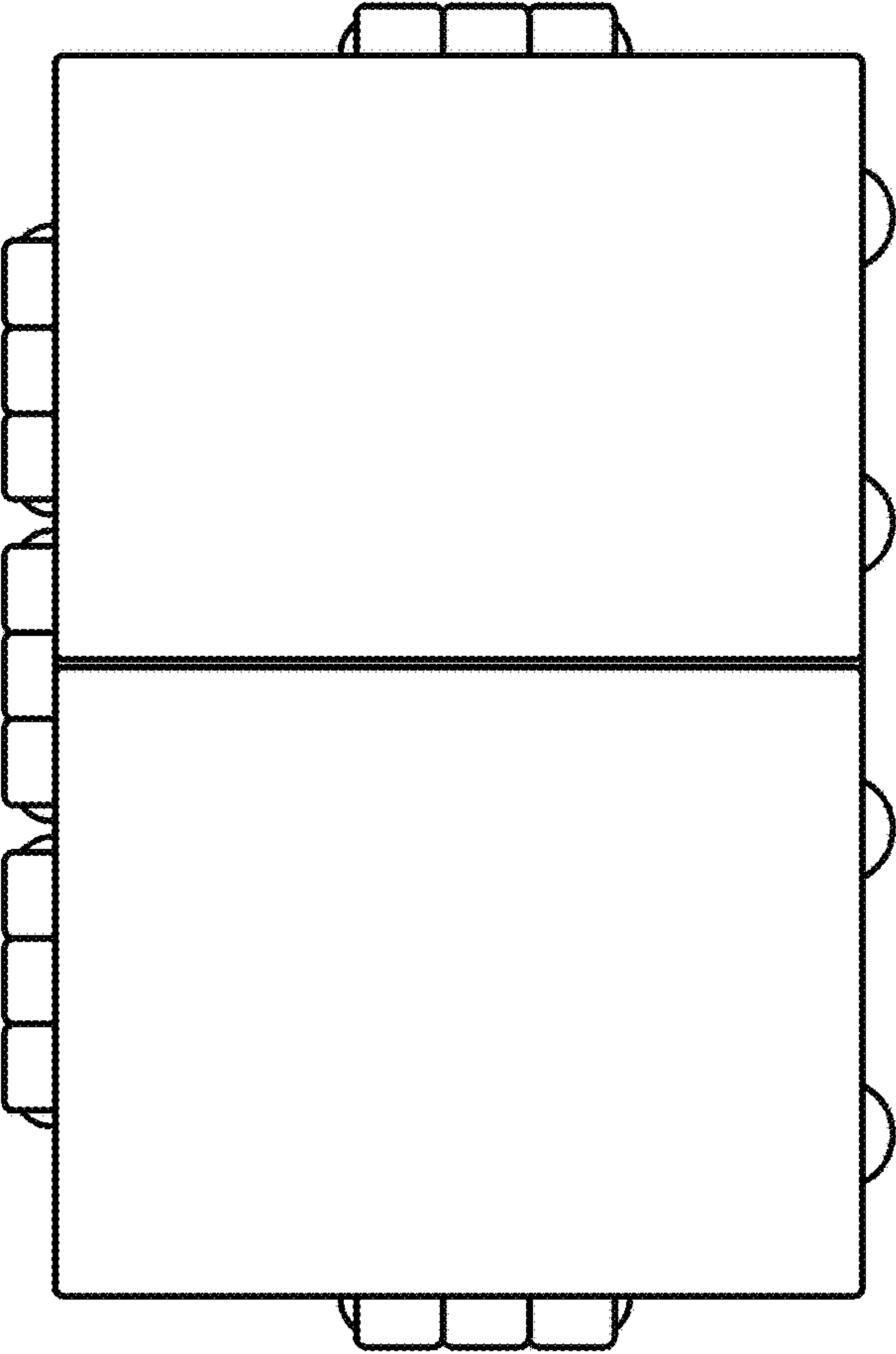


Fig. 20

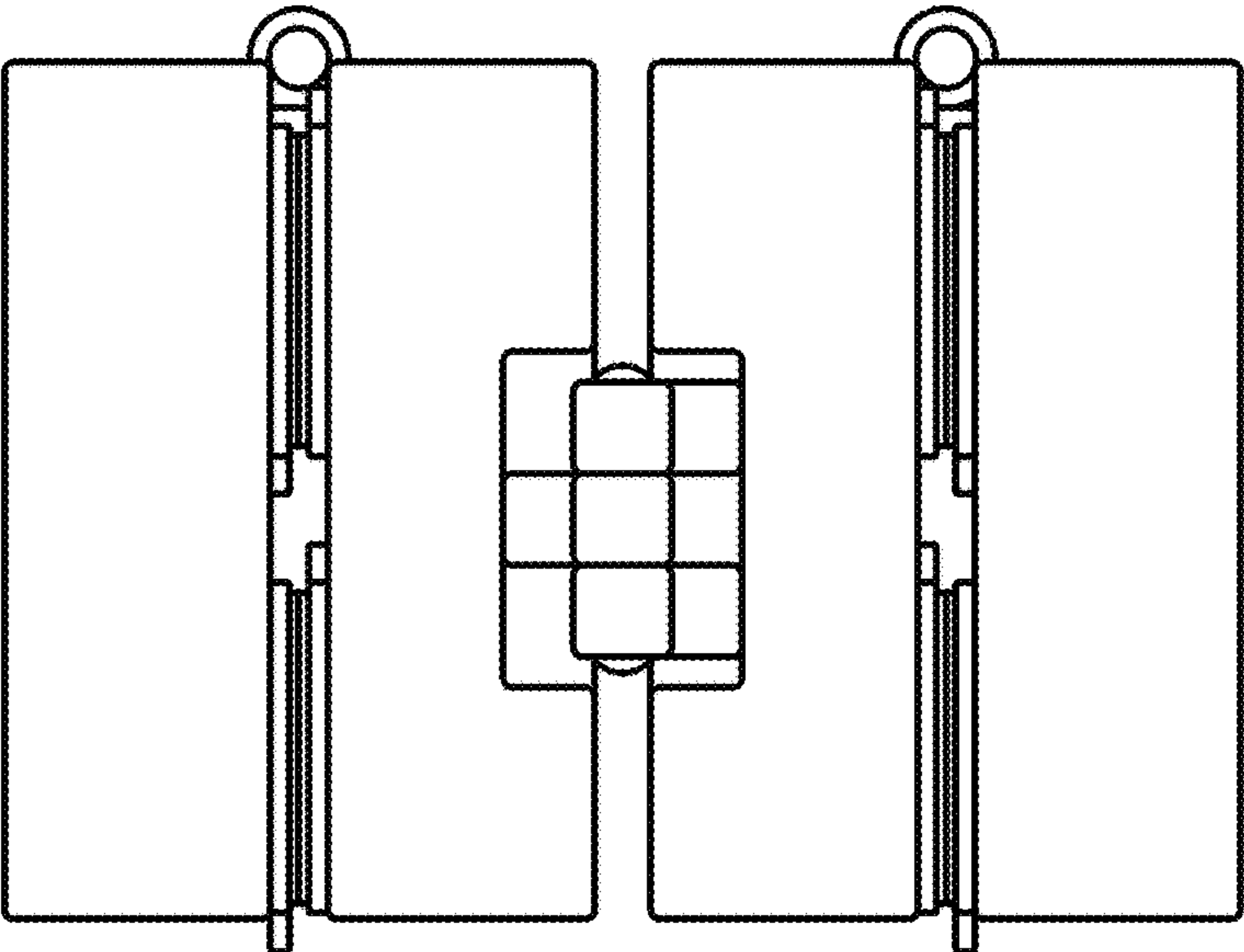


Fig. 21

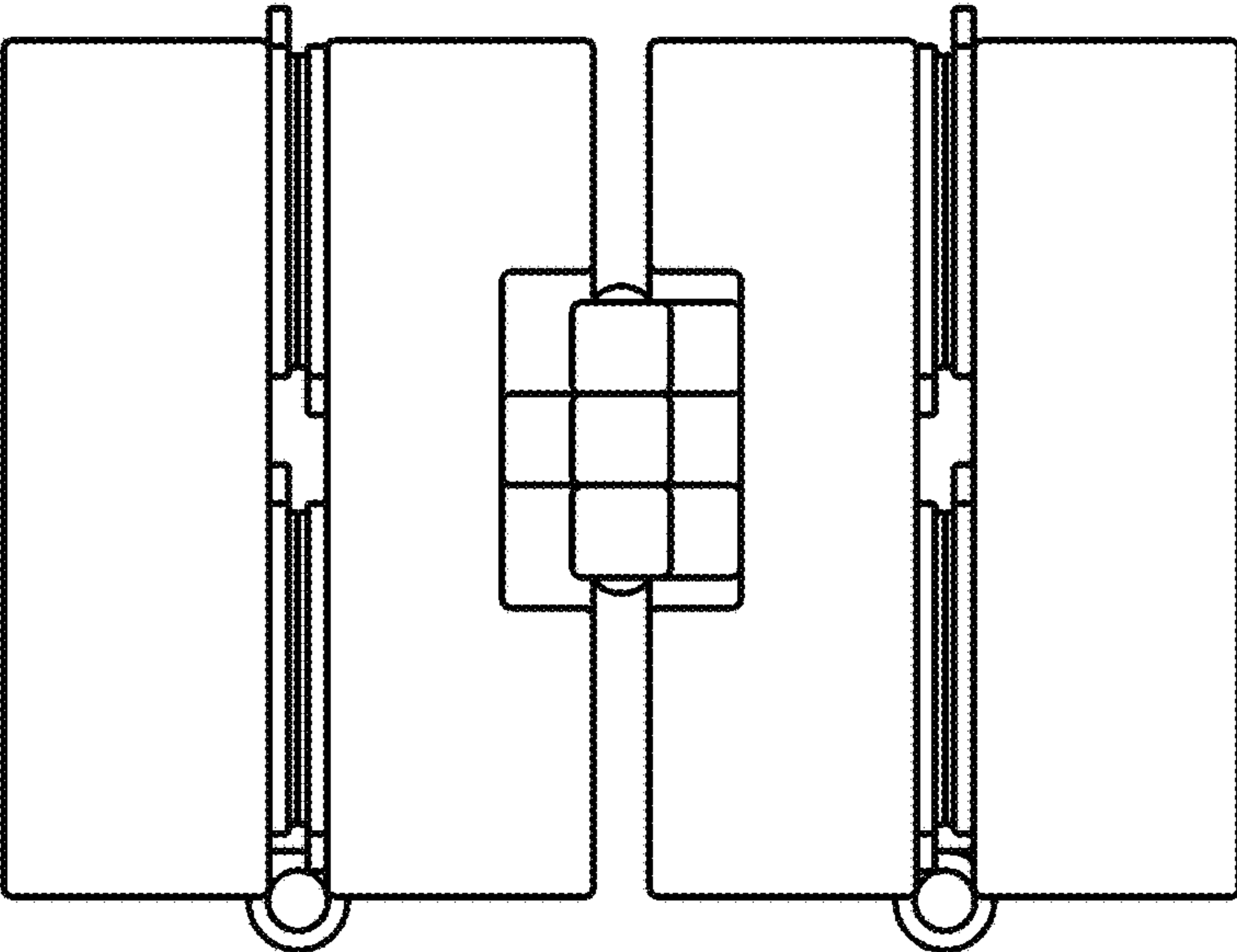


Fig. 22



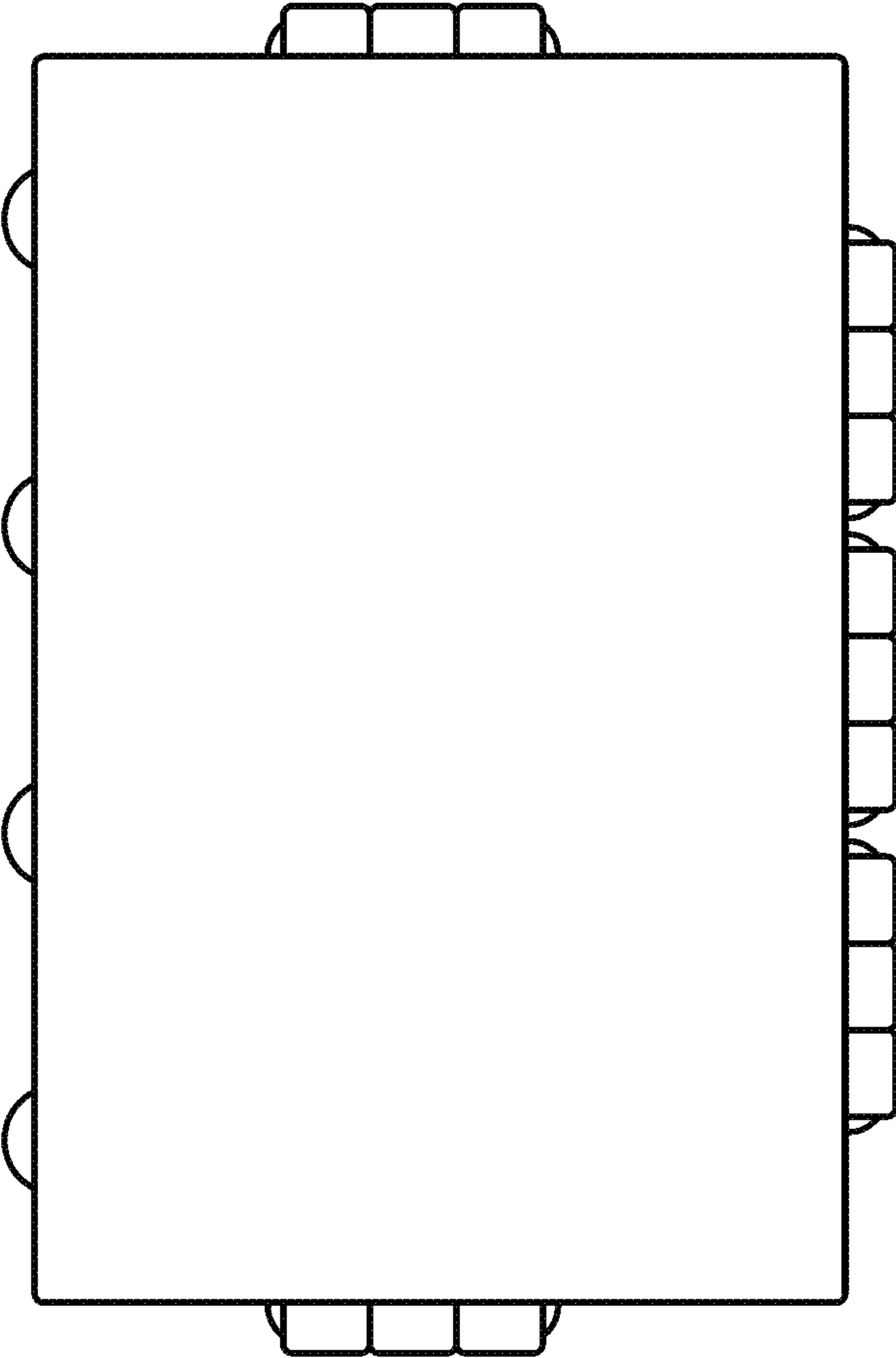


Fig. 23

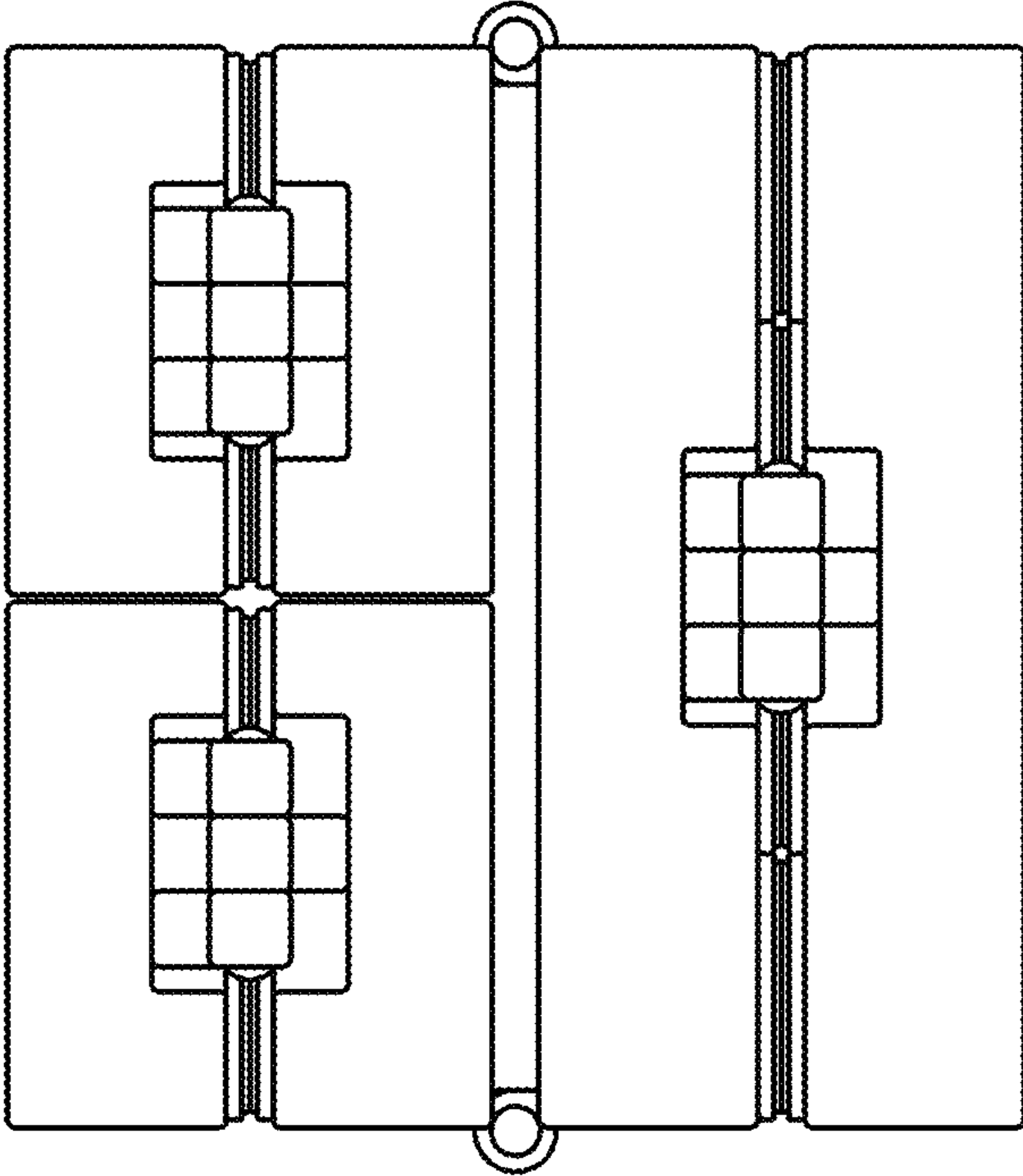


Fig. 24