



US00D799810S

(12) **United States Design Patent**
Mayberry

(10) **Patent No.:** **US D799,810 S**

(45) **Date of Patent:** **** Oct. 17, 2017**

- (54) **SHOE LACE TIGHTENING REEL**
- (71) Applicant: **Boa Technology Inc.**, Denver, CO (US)
- (72) Inventor: **Michael Mayberry**, Denver, CO (US)
- (73) Assignee: **Boa Technology Inc.**, Denver, CO (US)
- (**) Term: **15 Years**
- (21) Appl. No.: **29/581,658**
- (22) Filed: **Oct. 20, 2016**

2006/0156517	A1*	7/2006	Hammerslag	A43B 5/16 24/68 SK
2007/0084956	A1*	4/2007	Chen	A43C 7/00 242/388.6
2008/0060167	A1*	3/2008	Hammerslag	A43B 5/16 24/68 SK
2009/0172928	A1*	7/2009	Messmer	A43C 7/00 24/68 SK
2010/0101061	A1*	4/2010	Ha	A43B 3/0042 24/712.5
2010/0251524	A1*	10/2010	Chen	A43C 7/00 24/713.2
2011/0191992	A1*	8/2011	Chen	A43C 7/00 24/713.2

Related U.S. Application Data

(Continued)

- (63) Continuation of application No. 15/083,638, filed on Mar. 29, 2016, which is a continuation of application No. 14/565,262, filed on Dec. 9, 2014, now Pat. No. 9,339,082, which is a continuation of application No. 14/228,075, filed on Mar. 27, 2014, which is a continuation of application No. 13/343,658, filed on Jan. 4, 2012, now abandoned, which is a continuation of application No. 11/842,009, filed on Aug. 20, 2007, now Pat. No. 8,091,182, which is a continuation of application No. 11/263,253, filed on Oct. 31, 2005, now abandoned.

Primary Examiner — Robert M Spear
Assistant Examiner — Eliza Bennett-Hattan
 (74) *Attorney, Agent, or Firm* — Kilpatrick Townsend & Stockton LLP

- (51) **LOC (10) Cl.** **02-07**
- (52) **U.S. Cl.**
USPC **D2/978; D8/358**
- (58) **Field of Classification Search**
USPC D8/358, 359; D12/201, 204; D22/14,
D22/137; D14/484; D3/24; D15/16, 67;
D2/978
CPC A43C 11/16; A43C 11/20; Y10T 24/2183;
Y10T 24/3724
See application file for complete search history.

(57) **CLAIM**

I claim the ornamental design for a shoe lace tightening reel, as shown and described.

DESCRIPTION

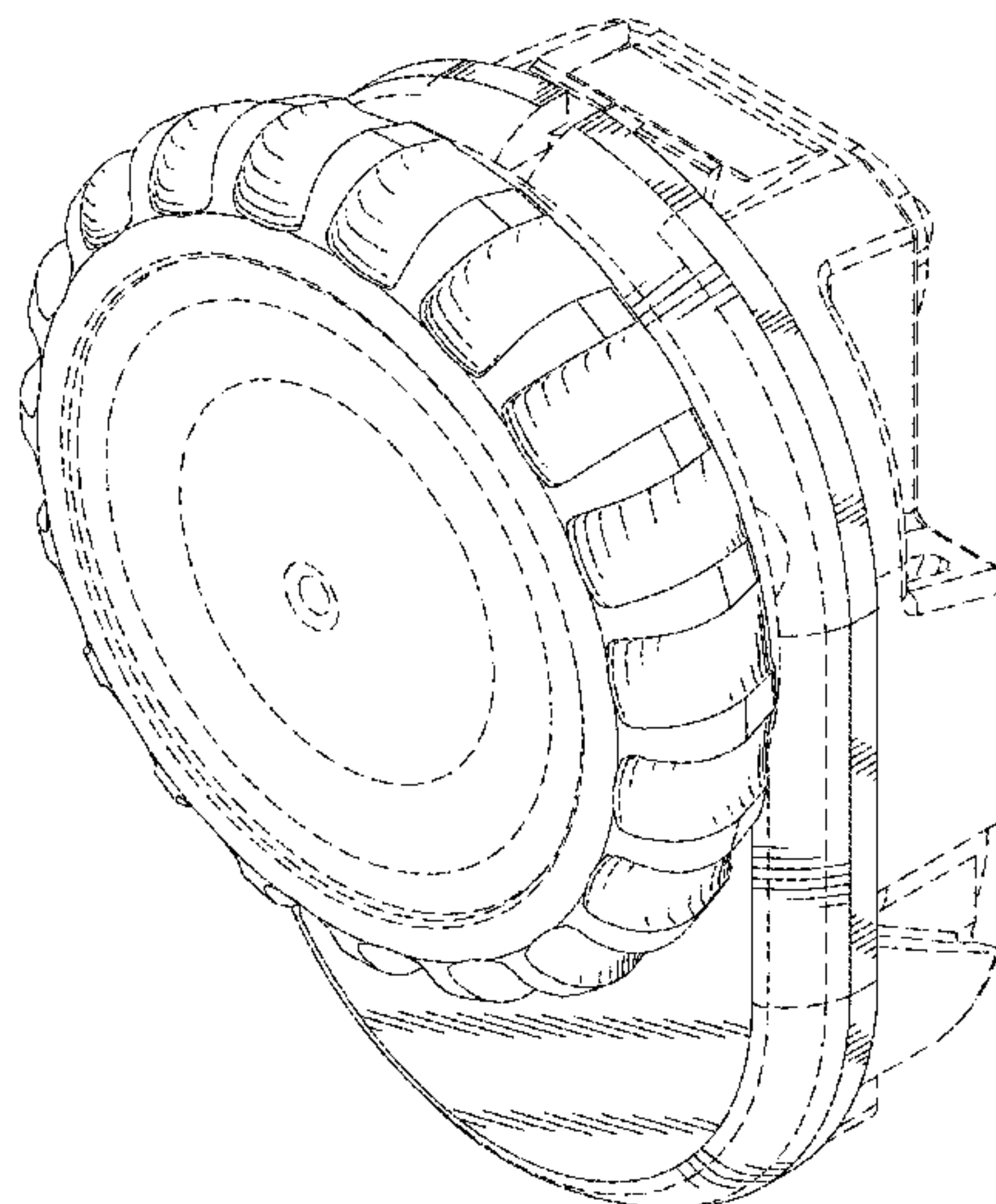
FIG. 1 is a front view of a shoe lace tightening reel;
 FIG. 2 is a right side view thereof;
 FIG. 3 is a left side view thereof;
 FIG. 4 is a top view thereof;
 FIG. 5 is a bottom view thereof; and,
 FIG. 6 is a perspective thereof.
 The broken lines in the figures are for the purpose of illustrating environmental structures and/or portions of the shoe lace tightening reel and form no part of the claimed design.

(56) **References Cited**

U.S. PATENT DOCUMENTS

- | | | | | | |
|--------------|-----|---------|------------|-------|-----------------------|
| 8,091,182 | B2* | 1/2012 | Hammerslag | | A43B 5/16
24/68 SK |
| 2003/0204938 | A1* | 11/2003 | Hammerslag | | A43B 5/16
24/68 SK |

1 Claim, 6 Drawing Sheets



(56)

References Cited

U.S. PATENT DOCUMENTS

2011/0197362 A1* 8/2011 Chella A61F 5/0111
5/650

* cited by examiner

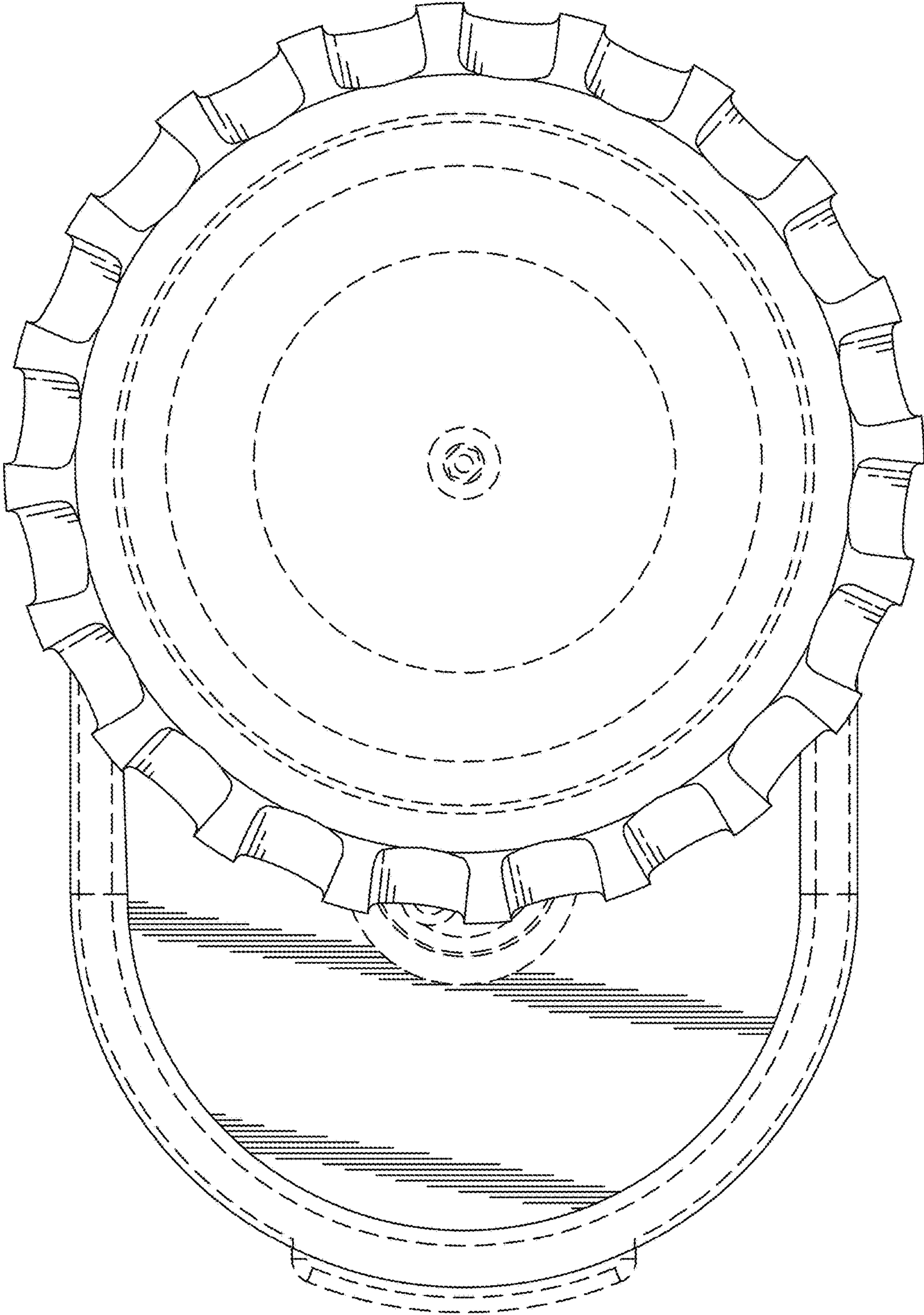


FIG. 1

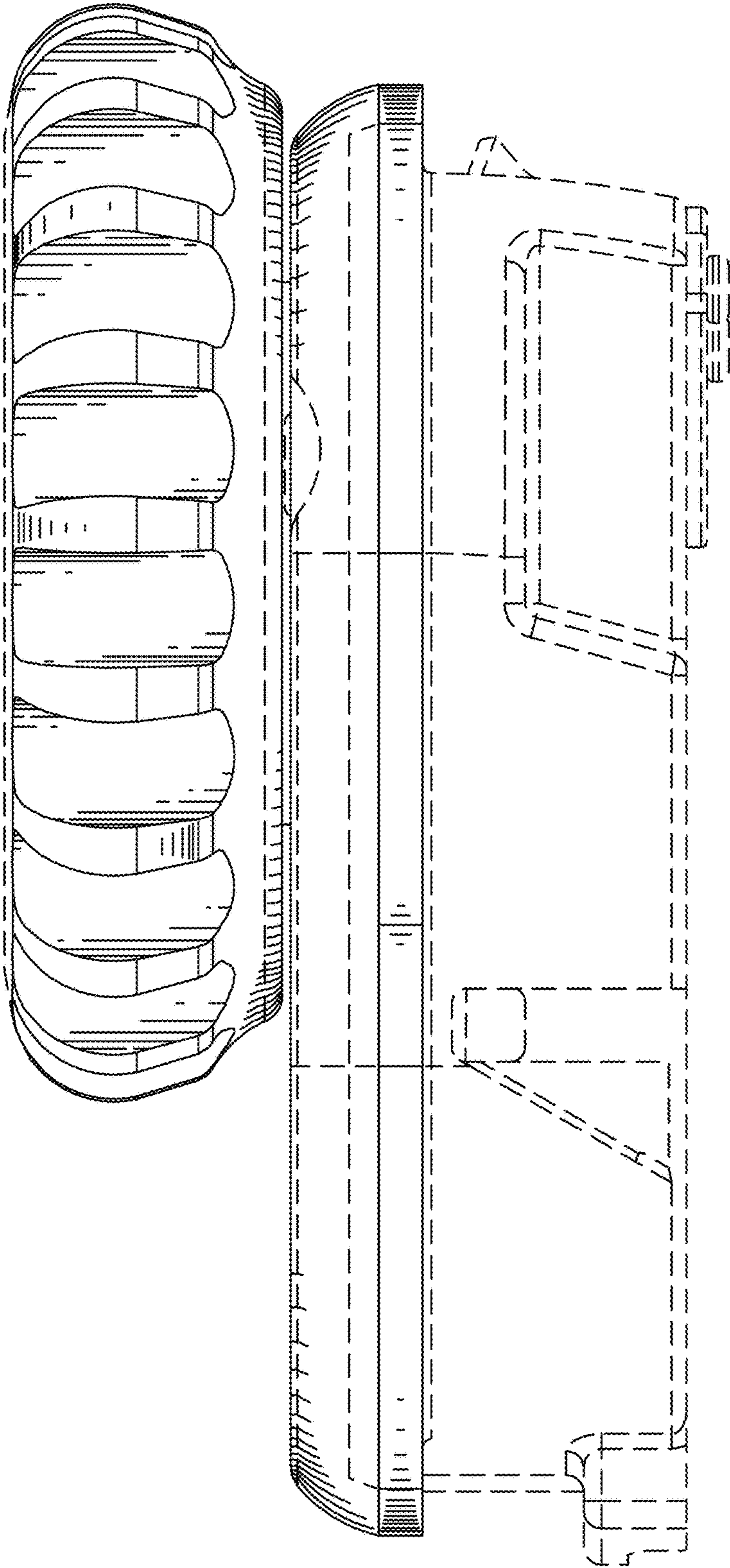


FIG. 2

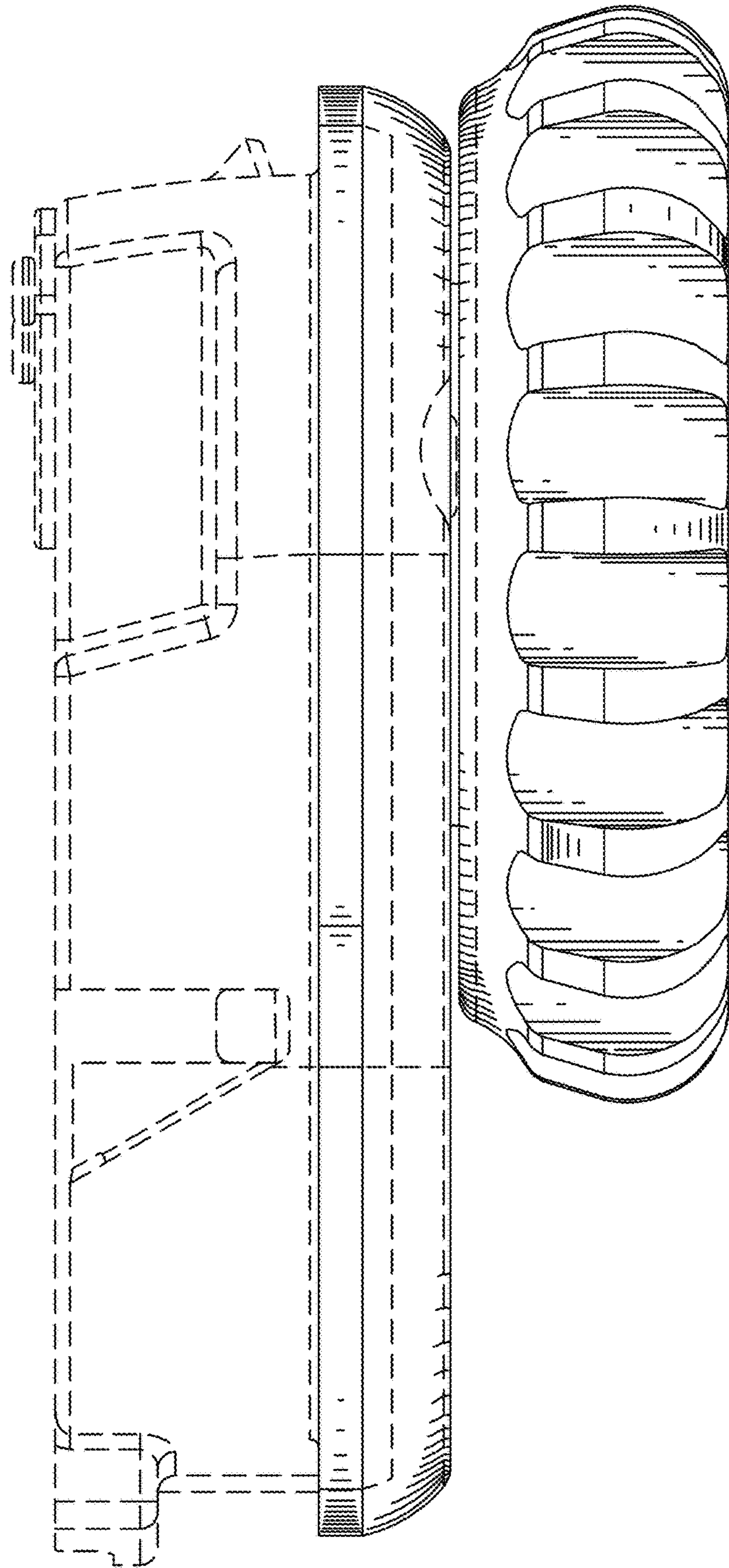


FIG. 3

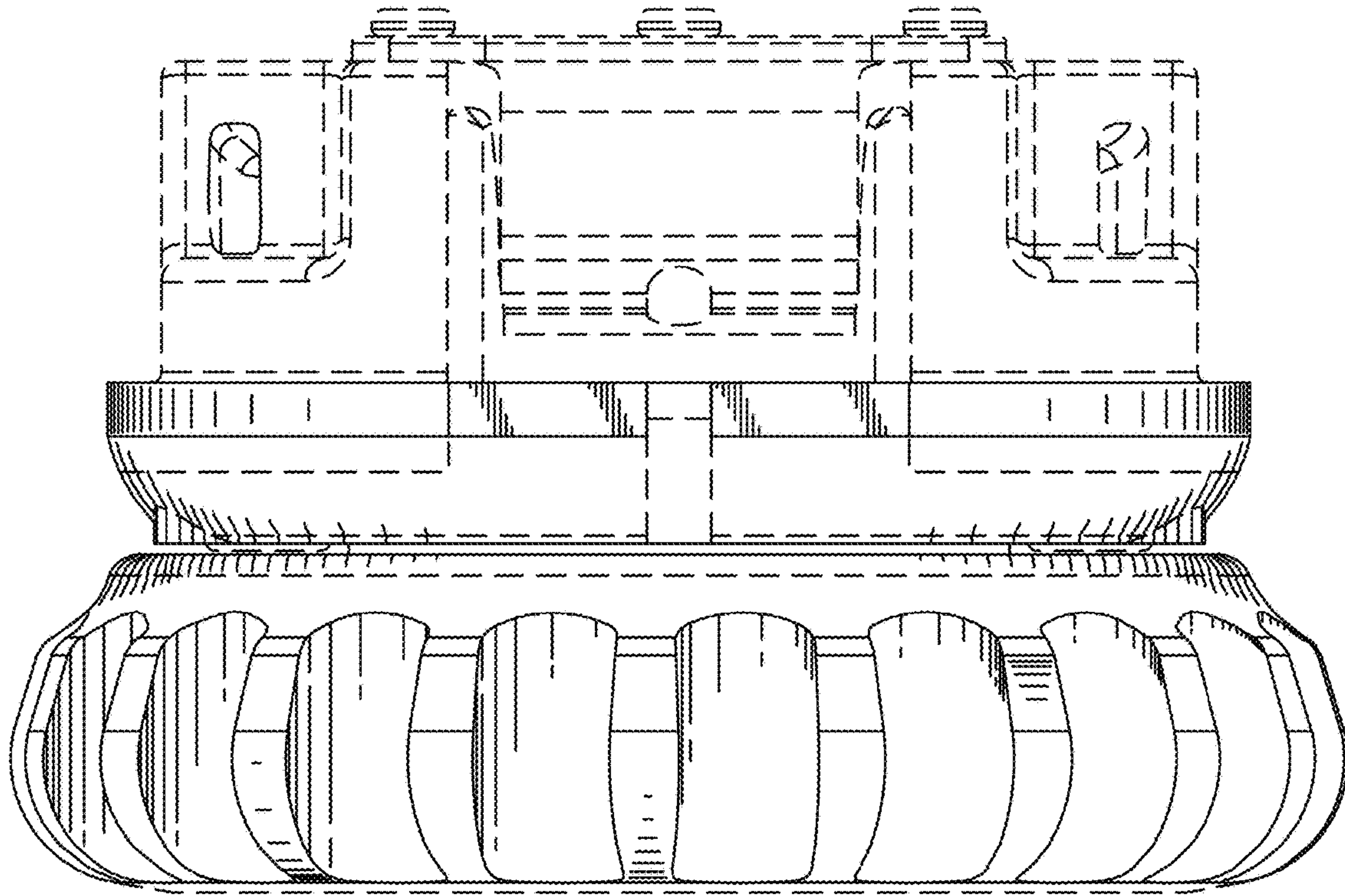


FIG. 4

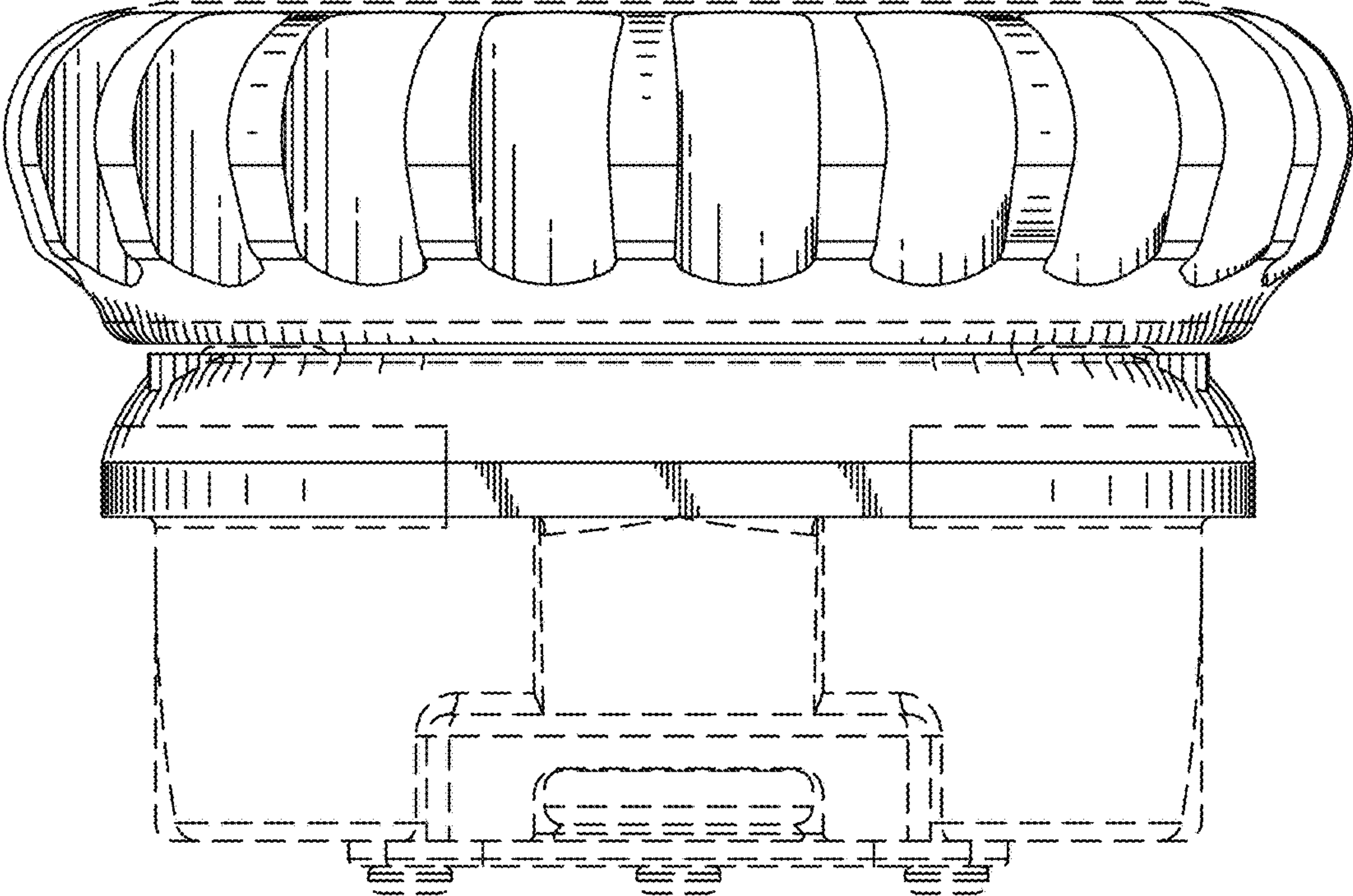


FIG. 5

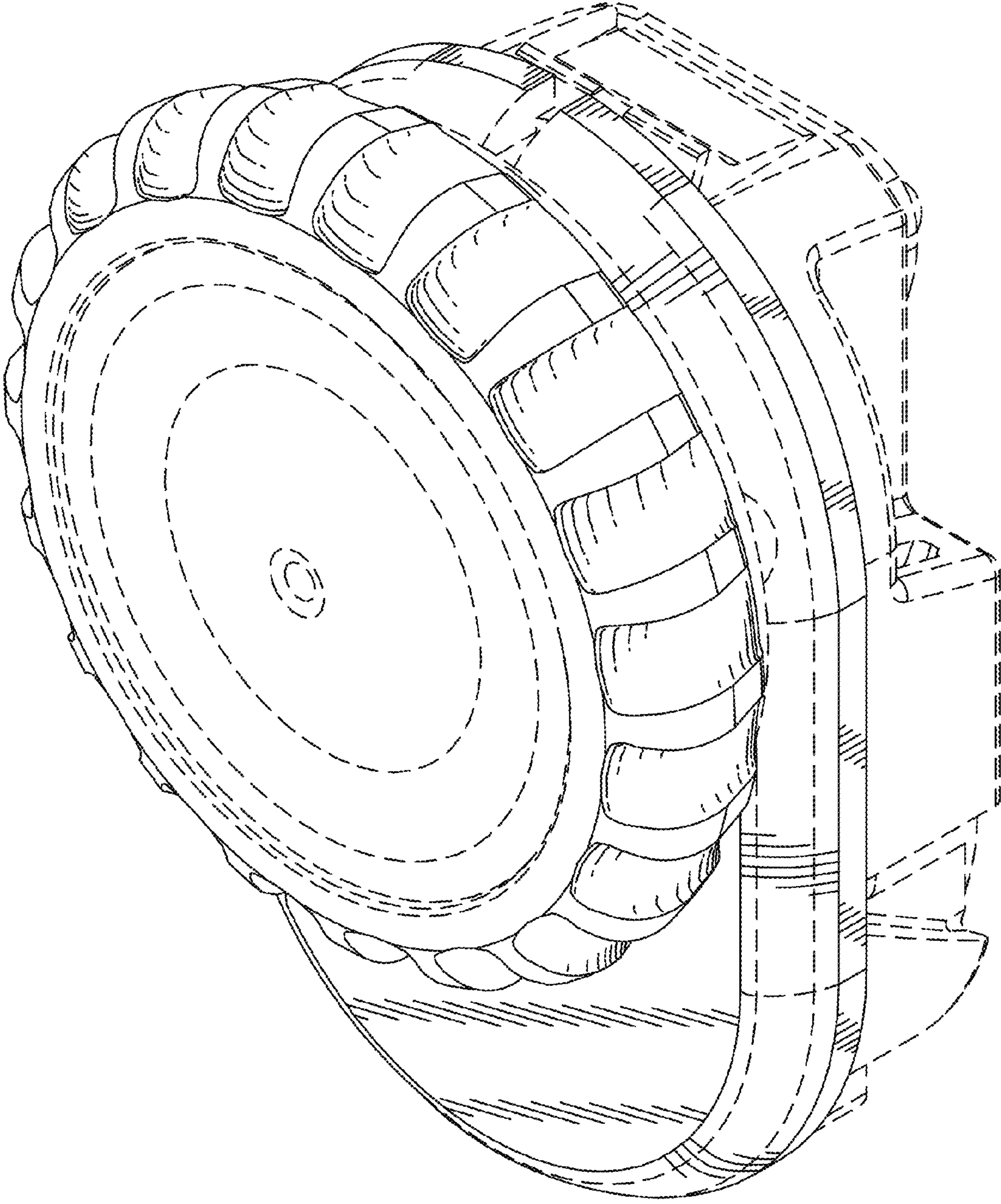


FIG. 6