



US00D799794S

(12) **United States Design Patent**
Borovicka

(10) **Patent No.:** **US D799,794 S**
(45) **Date of Patent:** **** Oct. 17, 2017**

(54) **GARMENT**

- (71) Applicant: **NIKE, Inc.**, Beaverton, OR (US)
- (72) Inventor: **Vanessa L. Borovicka**, Lake Oswego, OR (US)
- (73) Assignee: **NIKE, Inc.**, Beaverton, OR (US)
- (**) Term: **15 Years**
- (21) Appl. No.: **29/541,977**
- (22) Filed: **Oct. 9, 2015**
- (51) **LOC (10) Cl.** **02-02**
- (52) **U.S. Cl.**
USPC **D2/829**
- (58) **Field of Classification Search**
USPC D2/828, 728, 750, 829-831, 839-840,
D2/847, 853, 999; 2/84, 93, 95-98, 102,
2/108, 122, 125, DIG. 1
CPC ... A41D 1/00; A41D 1/02; A41D 1/04; A41D
1/22; A41D 27/00; A41D 27/28; A41D
3/00; A41D 3/08; Y10S 2/01; Y10S 2/03
See application file for complete search history.

FOREIGN PATENT DOCUMENTS

GB	000796879 A	6/1958
WO	0011979 A1	3/2000

OTHER PUBLICATIONS

Nike Apparel Catalog, 2010 Fall ACG, p. 15, published date unknown, but prior to the filing date of the present application, NIKE, Inc., USA.

(Continued)

Primary Examiner — Eric L Goodman
Assistant Examiner — Amy C Wierenga

(74) *Attorney, Agent, or Firm* — Banner & Witcoff, Ltd.

(57) **CLAIM**

The ornamental design for a garment, as shown and described.

DESCRIPTION

FIG. 1 is a front perspective view of a garment showing my new design in an in-use configuration; FIG. 2 is a front view thereof; FIG. 3 is a rear view thereof; FIG. 4 is a side view thereof; FIG. 5 is a second side view thereof; FIG. 6 is a top view thereof; and, FIG. 7 is a bottom view thereof.

The broken lines immediately adjacent to the shaded area represent unclaimed boundaries of the design. The unshaded regions, demarcated by broken lines, represent unclaimed portions of the garment and form no part of the claimed design. The broken lines showing the remainder of the garment are for environmental purposes only and form no part of the claimed design. The contrast shading represents a contrast in appearance only.

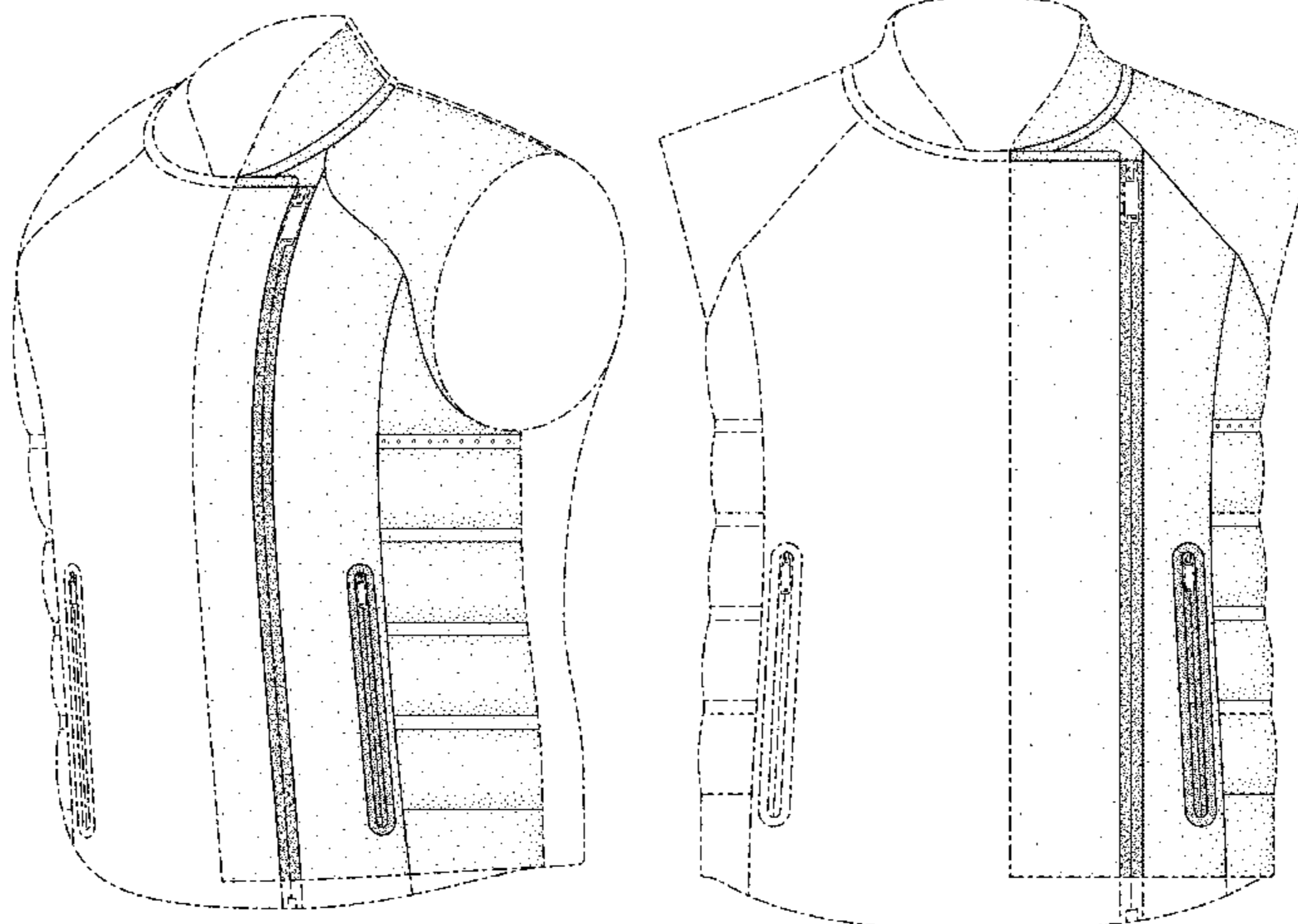
(56) **References Cited**

U.S. PATENT DOCUMENTS

339,920 A	4/1886	Patjme
1,657,866 A	1/1928	Mooney
D113,203 S	1/1939	Feigenbaum
D113,204 S	1/1939	Zucker et al.
D115,592 S	7/1939	Shapiro et al.
D118,524 S	1/1940	Zelinka
D139,535 S	11/1944	Bauer
D157,696 S	3/1950	Paque
2,669,721 A	2/1954	Max
D194,967 S	4/1963	Bauer
3,116,489 A	1/1964	Weiss
3,398,406 A	8/1968	Du Pont
3,883,914 A	5/1975	Blair
3,988,780 A	11/1976	Armellino
4,084,264 A	4/1978	Marion
4,149,272 A	4/1979	Maeshima

(Continued)

1 Claim, 7 Drawing Sheets



(56)

References Cited

U.S. PATENT DOCUMENTS

D255,056 S 5/1980 Parsons
 4,602,387 A 7/1986 Zakrzewski
 4,619,622 A 10/1986 McDonald et al.
 D298,474 S 11/1988 Twede
 5,465,424 A 11/1995 Cudney et al.
 D367,551 S 3/1996 Chalbeck et al.
 D374,329 S 10/1996 Wilde
 D385,088 S 10/1997 Handysides
 D414,913 S 10/1999 Katz et al.
 D478,708 S 8/2003 Miros et al.
 D479,902 S 9/2003 Brown
 6,654,963 B2 12/2003 Fayle et al.
 D516,777 S 3/2006 Beck
 D541,010 S 4/2007 Boucher
 D580,632 S 11/2008 Adams et al.
 D588,783 S 3/2009 Olstorn
 D618,440 S 6/2010 Parker
 D620,231 S 7/2010 Parker
 D621,132 S 8/2010 Crisp
 D622,032 S 8/2010 Lambertz
 D622,033 S 8/2010 Lambertz
 D622,034 S 8/2010 Lambertz
 D622,035 S 8/2010 Lambertz
 D625,078 S 10/2010 Scott-Curran
 D626,725 S 11/2010 Snyder et al.
 D631,230 S 1/2011 Ruffini
 D633,690 S 3/2011 Tronvold
 D633,691 S 3/2011 Tronvold
 D636,973 S 5/2011 Smith et al.
 D637,794 S 5/2011 Gosse
 D638,200 S 5/2011 Gorson
 D638,201 S 5/2011 Gosse
 D638,202 S 5/2011 Gosse
 D639,023 S 6/2011 Iamartino et al.
 D641,137 S 7/2011 Evans et al.
 D642,770 S 8/2011 Bengyak
 D643,577 S 8/2011 Bulan et al.
 D653,430 S 2/2012 Pouches
 D654,659 S 2/2012 Scott-Curran
 D654,664 S 2/2012 Evans et al.
 D656,301 S 3/2012 Randall
 D662,282 S 6/2012 Meunier-Bouchard
 D662,285 S 6/2012 Rushworth
 D675,400 S 2/2013 Mertes
 D679,072 S 4/2013 Abbevik et al.
 D685,158 S 7/2013 Lambertz
 D685,159 S 7/2013 Lambertz
 D685,160 S 7/2013 Savage
 D687,619 S 8/2013 Savage
 D689,262 S 9/2013 Passman
 D689,263 S 9/2013 Passman
 D693,095 S 11/2013 Grant
 D695,491 S 12/2013 Hawkins et al.
 D698,123 S 1/2014 Yu et al.
 D698,523 S * 2/2014 Roberts D2/829
 D698,525 S 2/2014 Roberts et al.
 D698,526 S 2/2014 Roberts et al.
 D698,528 S 2/2014 Roberts et al.
 D701,368 S * 3/2014 Borovicka D2/831
 D701,369 S * 3/2014 Borovicka D2/831
 D702,419 S 4/2014 Mertes
 D702,920 S 4/2014 Chaney
 D703,922 S 5/2014 Roberts et al.
 D704,418 S 5/2014 Holmes
 D704,419 S 5/2014 Holmes
 D704,924 S 5/2014 Roberts et al.
 D707,423 S 6/2014 Pezzimenti
 D707,424 S 6/2014 Pezzimenti
 D710,573 S 8/2014 Pezzimenti
 D713,128 S 9/2014 Pezzimenti et al.
 D713,620 S 9/2014 Pezzimenti et al.
 D713,621 S 9/2014 Pezzimenti et al.
 D714,022 S 9/2014 Mong et al.
 D714,526 S 10/2014 Ingram
 D714,527 S 10/2014 Borovicka

D716,022 S 10/2014 Judge et al.
 D719,722 S 12/2014 Bublak
 D736,497 S 8/2015 Harris
 D745,769 S * 12/2015 Borovicka D2/750
 D746,548 S 1/2016 Ingram
 D746,551 S 1/2016 Ingram
 D747,849 S * 1/2016 Ingram D2/829
 D747,850 S * 1/2016 Borovicka D2/839
 D752,846 S * 4/2016 Pezzimenti D2/829
 D753,900 S * 4/2016 Borovicka D2/829
 D754,947 S * 5/2016 Borovicka D2/750
 D770,138 S * 11/2016 Borovicka D2/828
 D770,730 S * 11/2016 Borovicka D2/828
 D771,906 S * 11/2016 Borovicka D2/731
 D772,533 S * 11/2016 Borovicka D2/731
 D772,534 S * 11/2016 Borovicka D2/731
 D780,408 S * 3/2017 Pezzimenti D2/829
 D783,934 S * 4/2017 Borovicka D2/731
 2004/0153012 A1 8/2004 Schroeder
 2013/0276201 A1 10/2013 Pezzimenti
 2017/0099899 A1 * 4/2017 Pezzimenti A41D 27/28
 2017/0105467 A1 * 4/2017 Pezzimenti A41D 27/28

OTHER PUBLICATIONS

Nike Apparel Catalog, 2010 Fall ACG, p. 16, published date unknown, but prior to the filing date of the present application, NIKE, Inc., USA.
 Nike Apparel Catalog, 2010 Fall Apparel, p. 17, published 2010, NIKE, Inc., USA.
 Nike Apparel Catalog, 2010 Fall Apparel, p. 20, published date unknown, but prior to the filing date of the present application, NIKE, Inc., USA.
 Nike Apparel Catalog, 2010 Holiday Women's Athletic Department Classics, p. 9, published 2010, NIKE, Inc., USA.
 Nike Apparel Catalog, 2010 Holiday Young Athletes, p. 47, published date unknown, but prior to the filing date of the present application, NIKE, Inc., USA.
 Nike Apparel Catalog, 2010 Holiday Young Athletes, p. 62, published date unknown, but prior to the filing date of the present application, NIKE, Inc., USA.
 Nike Apparel Catalog, 2011 Fall Boys' Apparel, p. 22, published 2011, NIKE, Inc., USA.
 Nike Apparel Catalog, 2011 Fall Girls' Apparel, p. 8, published 2011, NIKE, Inc., USA.
 Nike Apparel Catalog, 2011 Fall Men's Athletic Department Classics, p. 57, published 2011, NIKE, Inc., USA.
 Nike Apparel Catalog, 2011 Holiday Boys, p. 25, published date unknown, but prior to the filing date of the present application, NIKE, Inc., USA.
 Nike Apparel Catalog, 2011 Holiday Girls, p. 12, published date unknown, but prior to the filing date of the present application, NIKE, Inc., USA.
 Nike Apparel Catalog, 2011 Holiday Men's Athletic Dept Classic, p. 1, published date unknown, but prior to the filing date of the present application, NIKE, Inc., USA.
 Nike Apparel Catalog, 2011 Holiday Women's Performance, p. 51, published date unknown, but prior to the filing date of the present application, NIKE, Inc., USA.
 London Cyclist, "Waterproof cycling jacket guide," <http://www.londoncyclist.co.uk/waterproof-cycling-jacket/>, retrieved from internet Jan. 22, 2016, published Oct. 21, 2010, pp. 3-4.
 Bike Lights Review, "Altura Night Vision Evo Jacket Review," <http://www.bikelightsreview.com/jackets/altura-night-vision-evo/>, retrieved from internet Jan. 22, 2016, published Sep. 11, 2011, p. 2.
 The Greatcaster, "Columbia Sportswear TurboDown Insulation," <http://www.thegearcaster.com/2013/11/columbia-sportswear-turbodown-insulation.html>, retrieved from internet Jan. 22, 2016, published Nov. 13, 2013, p. 2.
 Blurgh the Thinkgeek Blog, "Top Ten List: Top 10 Fictional Uniforms We Want to Wear to Work," <http://www.thinkgeek.com/blog/2015/03/tldr-top-ten-list-top-10-ficti-2.html>, retrieved from internet Jan. 22, 2016, published date unknown, but prior to the filing date of the present application, pp. 1-4.

(56)

References Cited

OTHER PUBLICATIONS

Nike Apparel Catalog, 2010 Fall ACG, p. 4, published date unknown, but prior to the filing date of the present application, NIKE, Inc., USA.

* cited by examiner

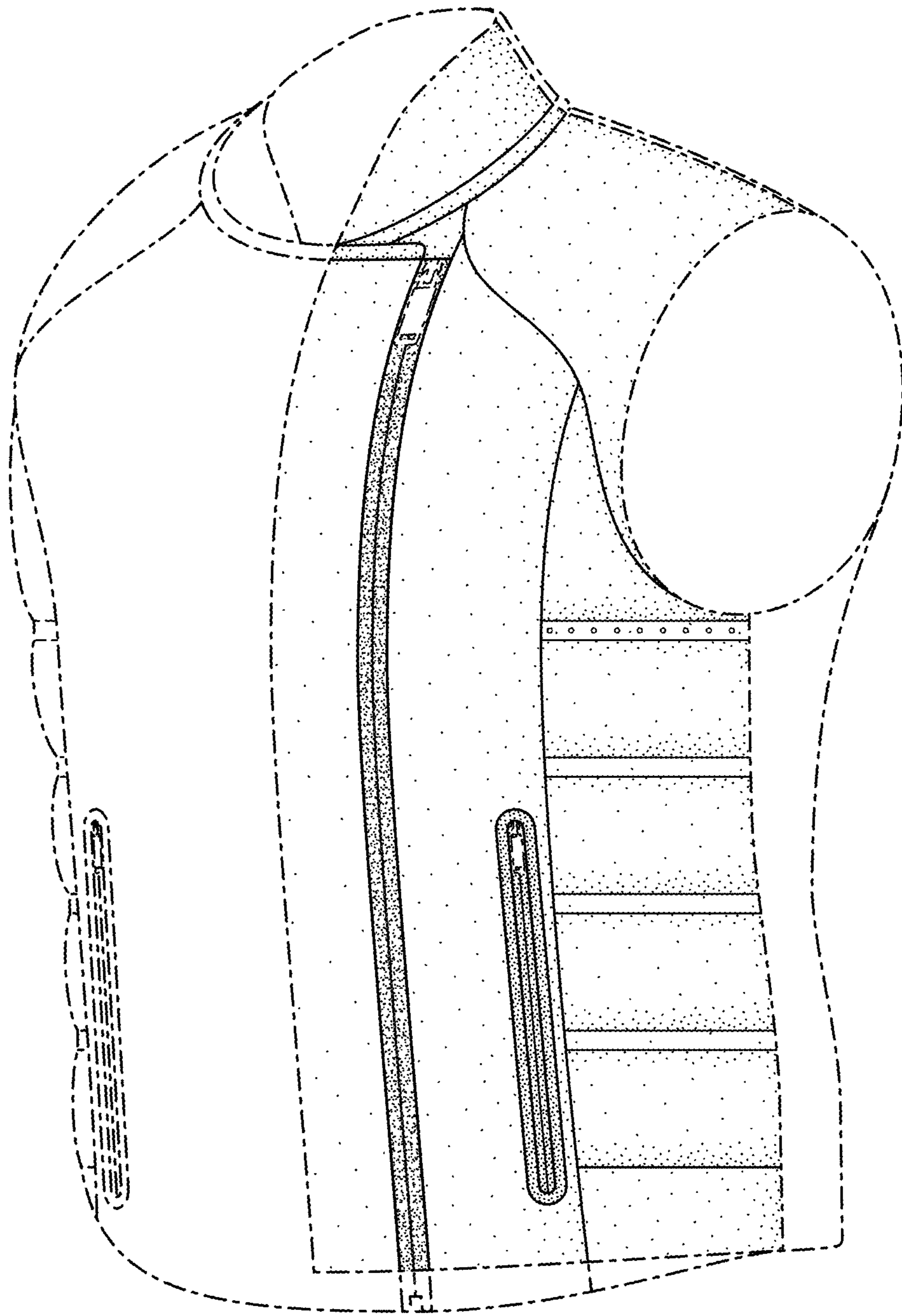


FIG. 1

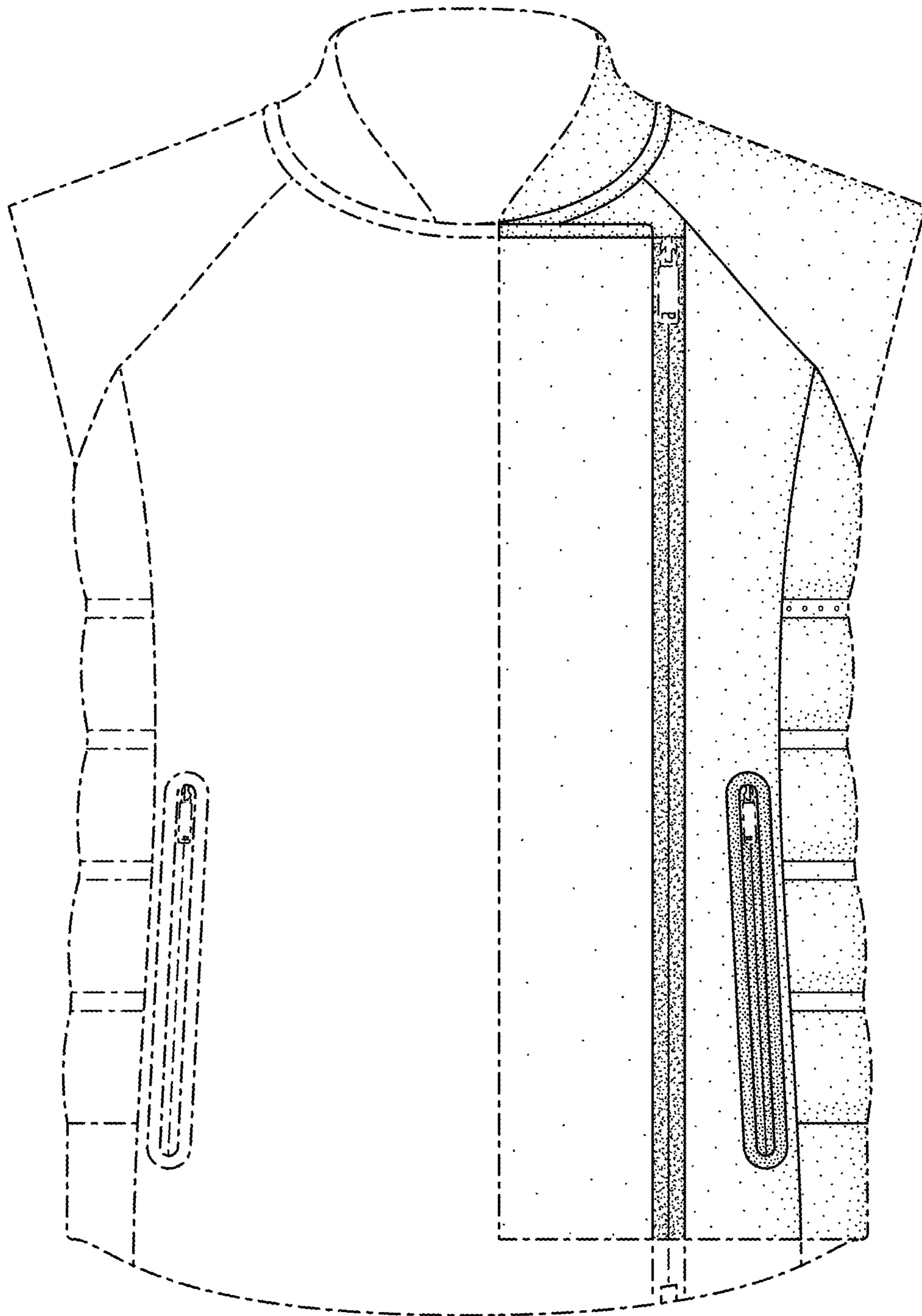


FIG. 2

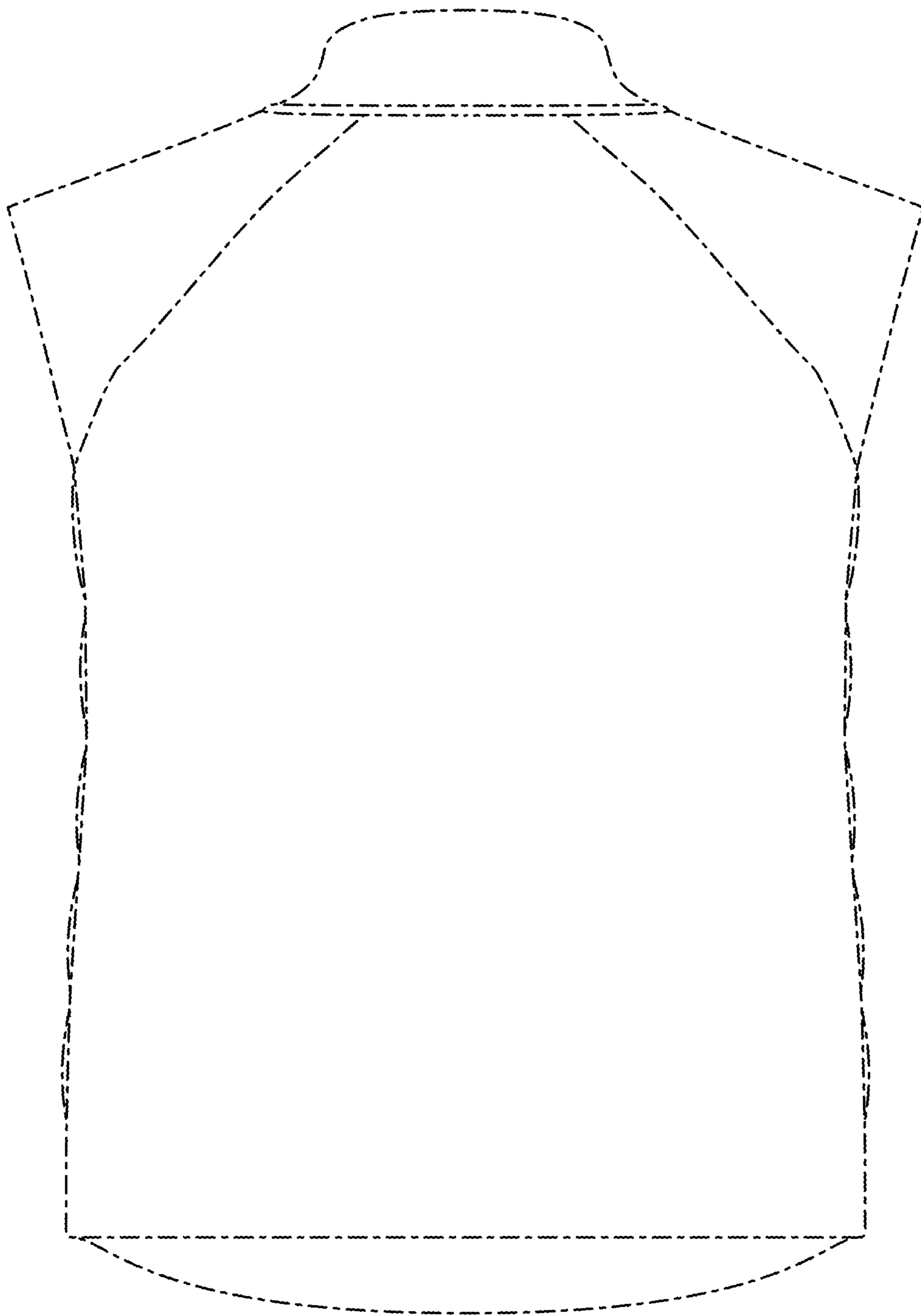


FIG. 3

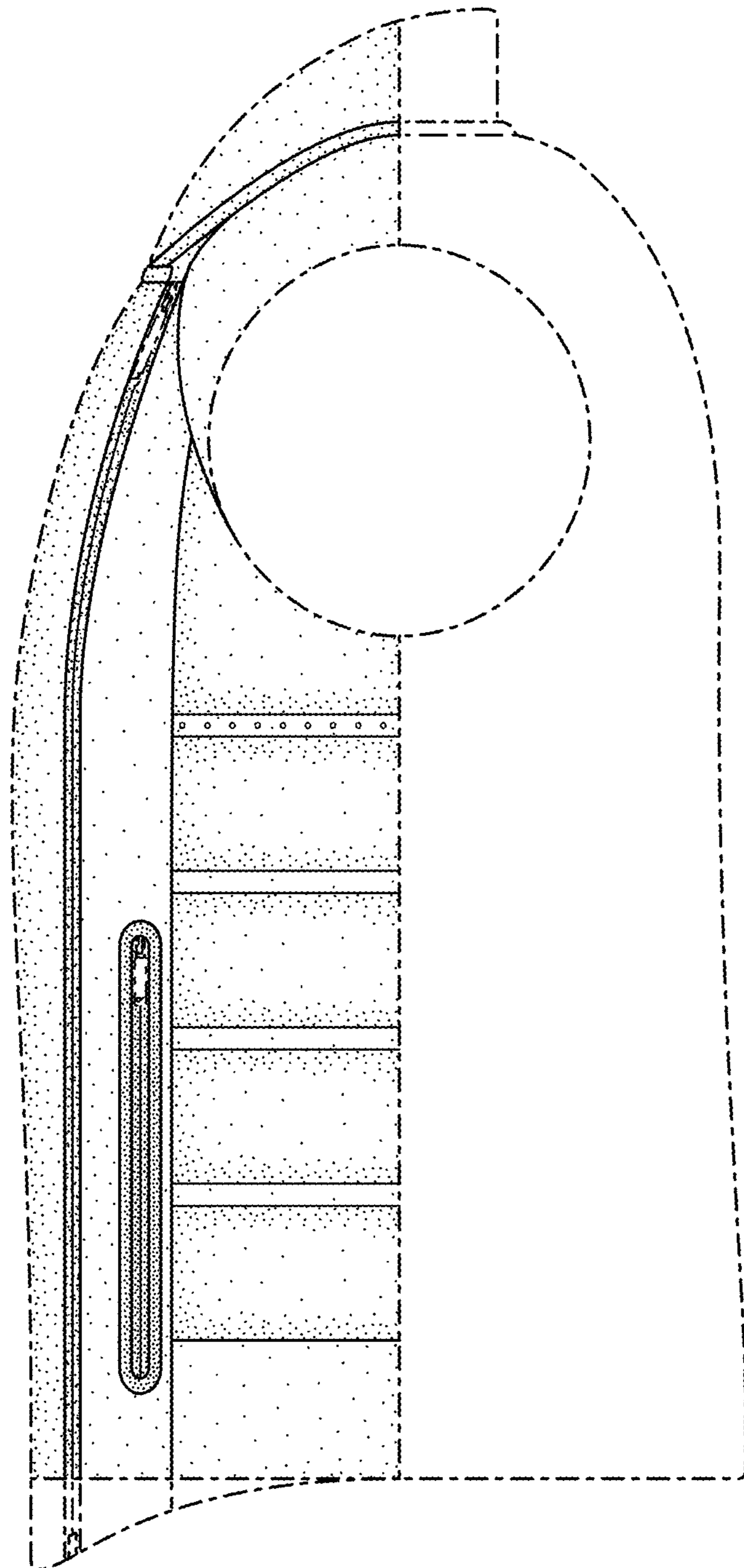


FIG.4

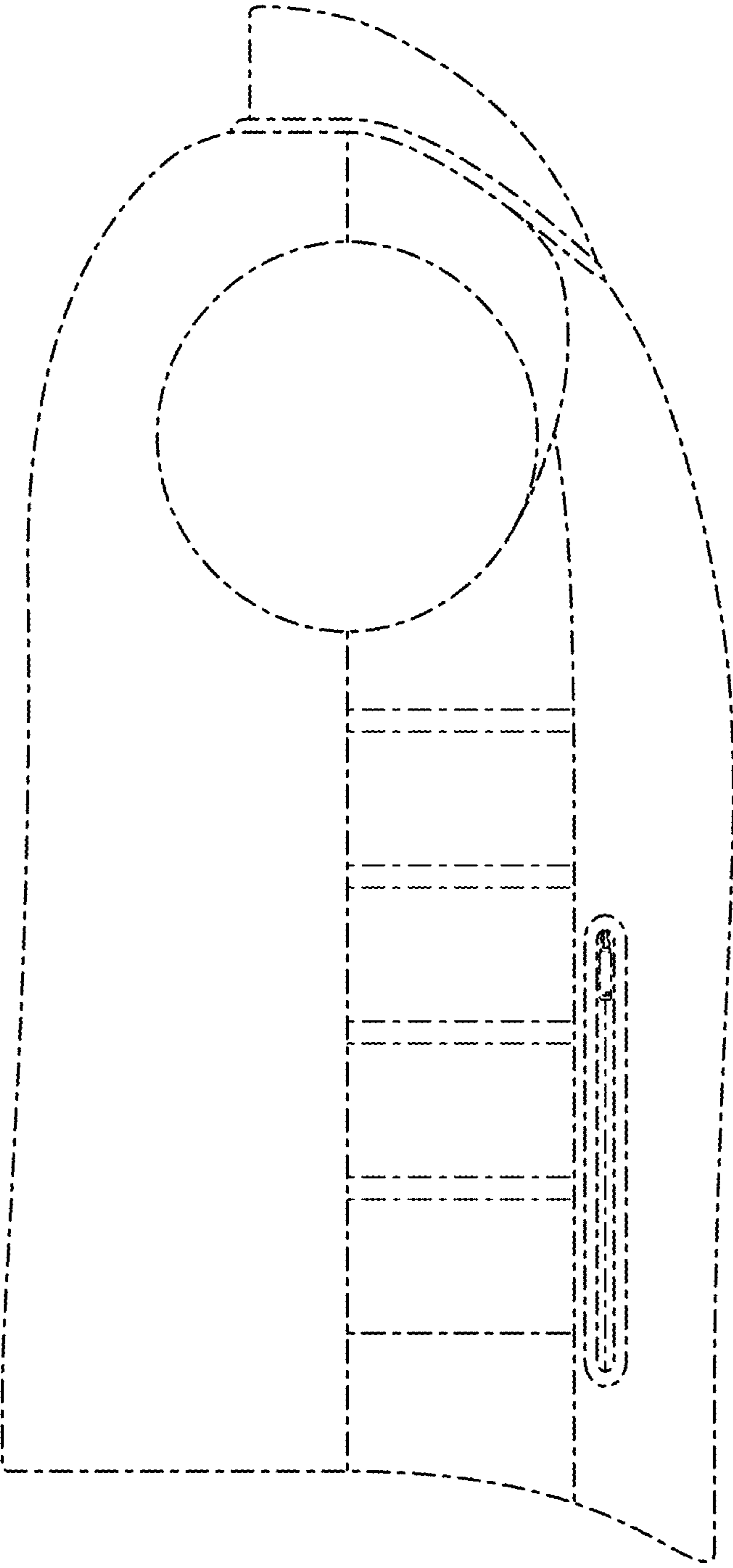


FIG. 5

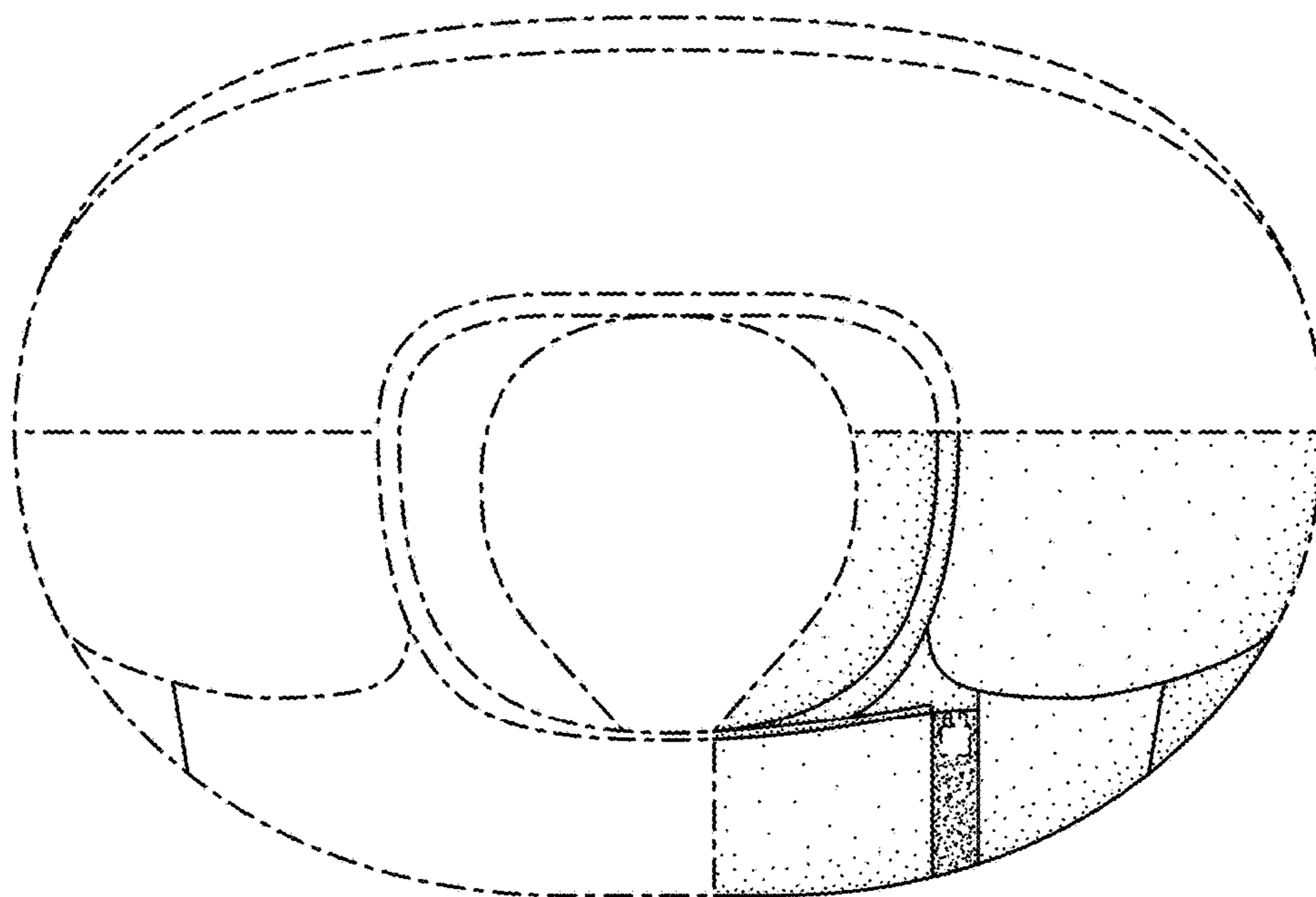


FIG. 6

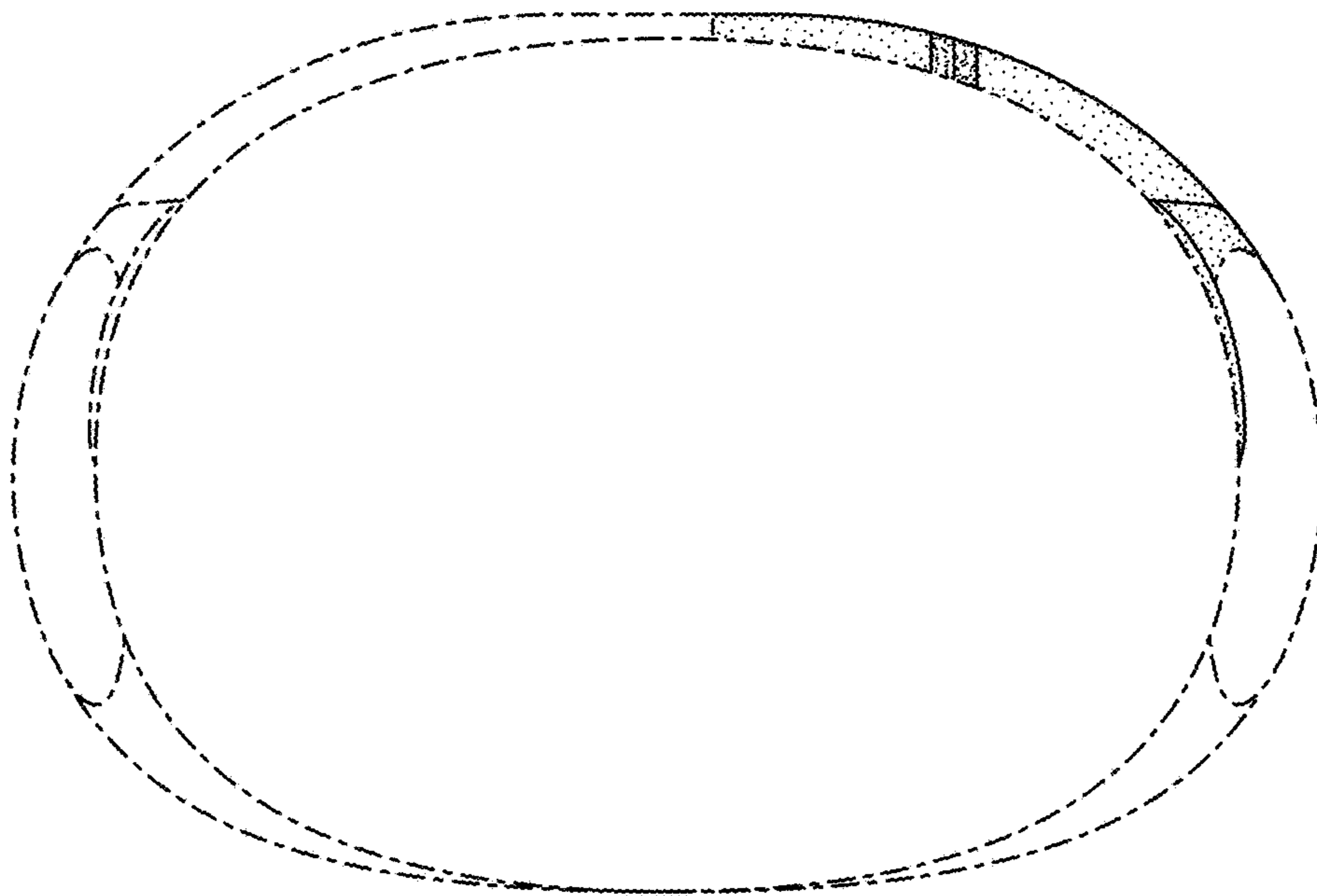


FIG. 7