



US00D799786S

(12) **United States Design Patent**
Hoth

(10) **Patent No.:** **US D799,786 S**

(45) **Date of Patent:** **** Oct. 17, 2017**

(54) **NURSING GARMENT**

(71) Applicant: **BRAVADO HOLDING AG**, Zug (CH)

(72) Inventor: **Tara Hoth**, Toronto (CA)

(73) Assignee: **BRAVADO HOLDING AG**, Zug (CH)

(**) Term: **15 Years**

(21) Appl. No.: **29/585,000**

(22) Filed: **Nov. 18, 2016**

(51) **LOC (10) Cl.** **02-01**

(52) **U.S. Cl.**
USPC **D2/706**

(58) **Field of Classification Search**
USPC D2/700, 705-710, 720-721, 723, 728,
D2/731, 733-734, 736-737, 750, 753,
D2/793-794, 796-797, 829, 840-841,
D2/844-845, 847, 853; D24/189; 2/67,
2/69, 74, 104, 105, 109, 113, 118, 119;
450/1, 2, 3, 28, 36, 39, 48, 58, 86, 88
CPC A41D 13/0017; A41D 1/205; A41D 1/22;
A41F 1/006
See application file for complete search history.

(56) **References Cited**

U.S. PATENT DOCUMENTS

2,679,048	A *	5/1954	Alberts	A41C 3/0021
					2/104
D206,854	S *	2/1967	Sachs	D2/707
D207,390	S *	4/1967	Sachs	D2/707
D321,273	S *	11/1991	Hull	D2/706
6,004,186	A	12/1999	Penny		
6,213,840	B1	4/2001	Han		
6,227,936	B1	5/2001	Mendoza		
6,440,100	B1	8/2002	Prentiss		
6,645,041	B2	11/2003	Sarensen		
6,866,558	B2	3/2005	Luciano et al.		
D505,243	S *	5/2005	Thunstedt	450/36
6,887,217	B1	5/2005	Logan		
6,974,361	B2	12/2005	Cravaack et al.		

D523,212	S *	6/2006	Iourina	D2/706
D571,529	S *	6/2008	Cook	D2/706
7,430,883	B2	10/2008	Sorensen		
D625,487	S *	10/2010	Hendrickson	D2/706
D641,132	S *	7/2011	Sharard	D2/708
8,137,153	B2	3/2012	Bell		

(Continued)

FOREIGN PATENT DOCUMENTS

EP		2810573	A1	12/2014
WO		WO-96/22116	A1	7/1996
WO		WO-2008/051484	A2	5/2008

OTHER PUBLICATIONS

U.S. Appl. No. 15/465,161, Hands Free Pumping Garment, filed Mar. 21, 2017.

(Continued)

Primary Examiner — Eric L Goodman
Assistant Examiner — Amy C Wierenga
(74) *Attorney, Agent, or Firm* — Marshall, Gerstein & Borun LLP

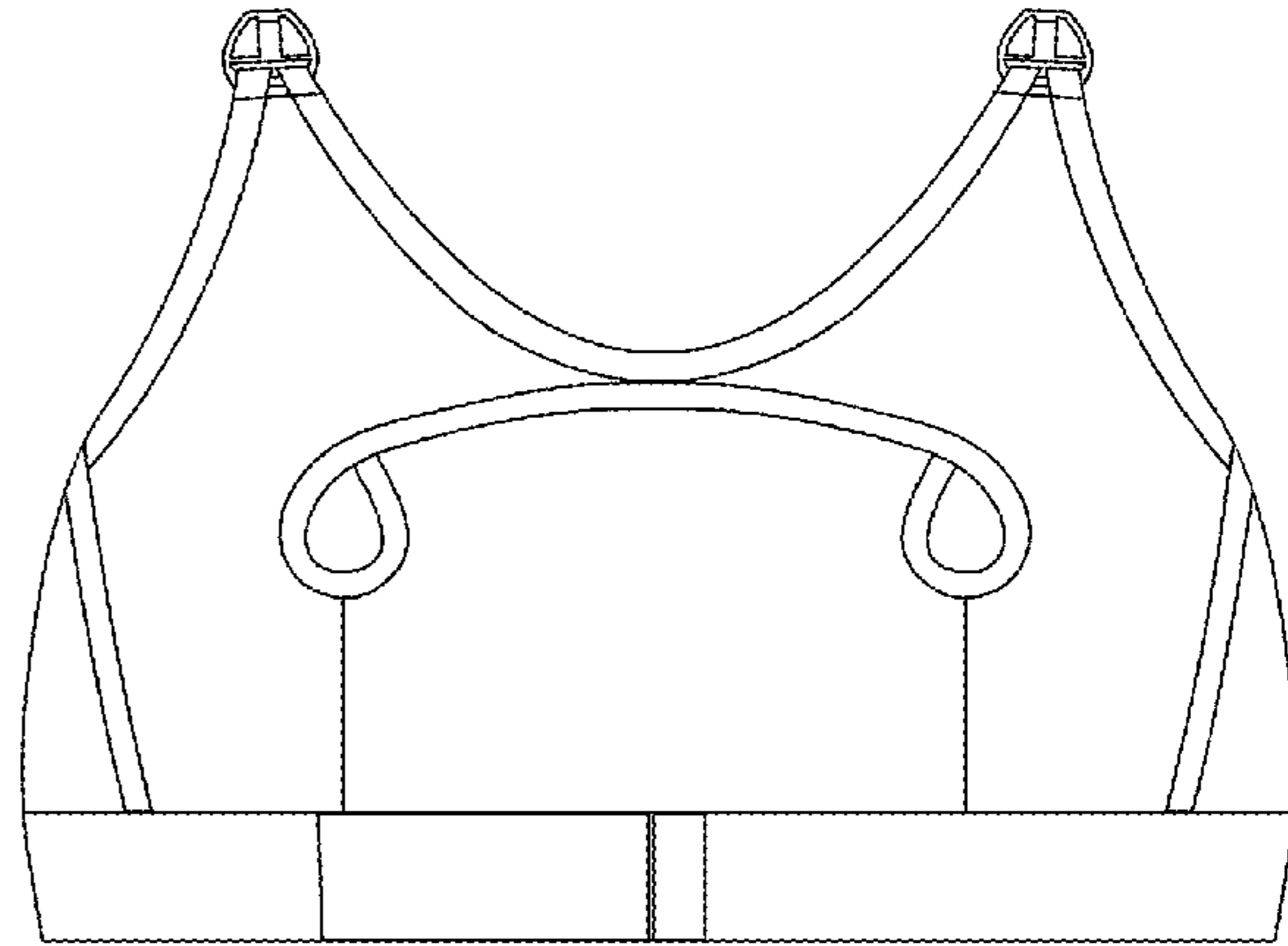
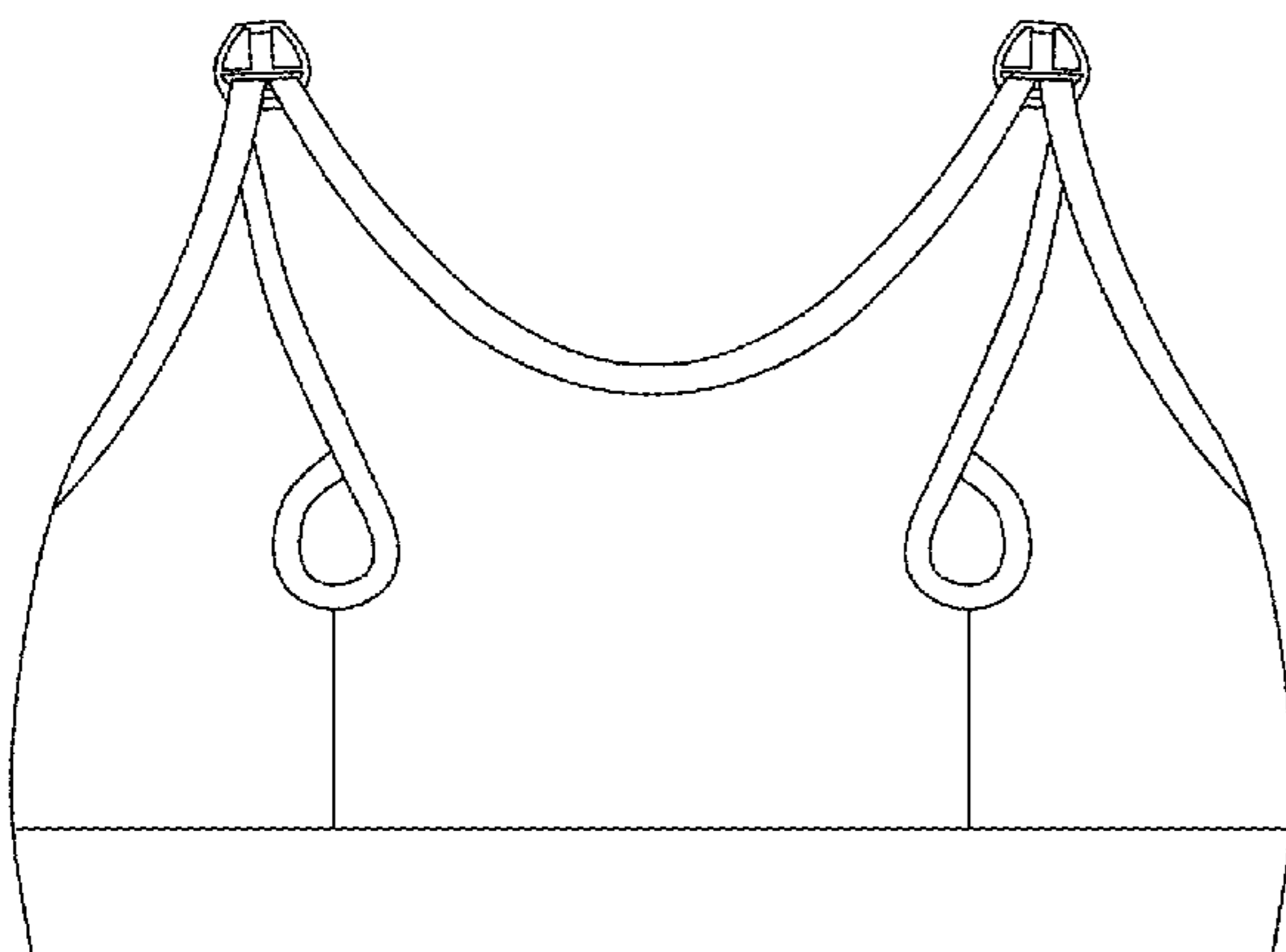
(57) **CLAIM**

The ornamental design for a nursing garment, as shown and described.

DESCRIPTION

FIG. 1 is a front perspective view of a nursing garment of the present invention;
FIG. 2 is a front view thereof;
FIG. 3 is a rear view thereof;
FIG. 4 is a right side view thereof;
FIG. 5 is a left side view thereof;
FIG. 6 is a top view thereof; and,
FIG. 7 is a bottom view thereof.
The broken lines in the drawings illustrate environmental subject matter only and form no part of the claim.

1 Claim, 4 Drawing Sheets



(56)

References Cited

U.S. PATENT DOCUMENTS

8,192,247	B2	6/2012	Abbaszadeh	
8,323,070	B2	12/2012	Abbaszadeh	
8,414,353	B1	4/2013	Leavell	
8,469,770	B2	6/2013	Alva	
8,523,629	B2	9/2013	Pundyk	
9,402,425	B2	8/2016	Cortese et al.	
D769,576	S *	10/2016	Kawasaki	D2/706
2007/0161330	A1	7/2007	Whitehead et al.	
2010/0159802	A1 *	6/2010	Abbaszadeh	A41C 3/04 450/36
2011/0314587	A1	12/2011	Ritchie	
2013/0122780	A1	5/2013	McCall	
2014/0273737	A1 *	9/2014	Cortese	A41C 3/04 450/31
2015/0133028	A1	5/2015	Applewhite	
2016/0331045	A1	11/2016	Cortese et al.	
2017/0042256	A1 *	2/2017	Kawasaki	A41C 3/04

OTHER PUBLICATIONS

U.S. Appl. No. 62/312,454, Nursing Garment System, filed Mar. 23, 2016.

International Search Report and Written Opinion for Application No. PCT/EP2017/056641, dated Jun. 30, 2017.

* cited by examiner

Fig. 1

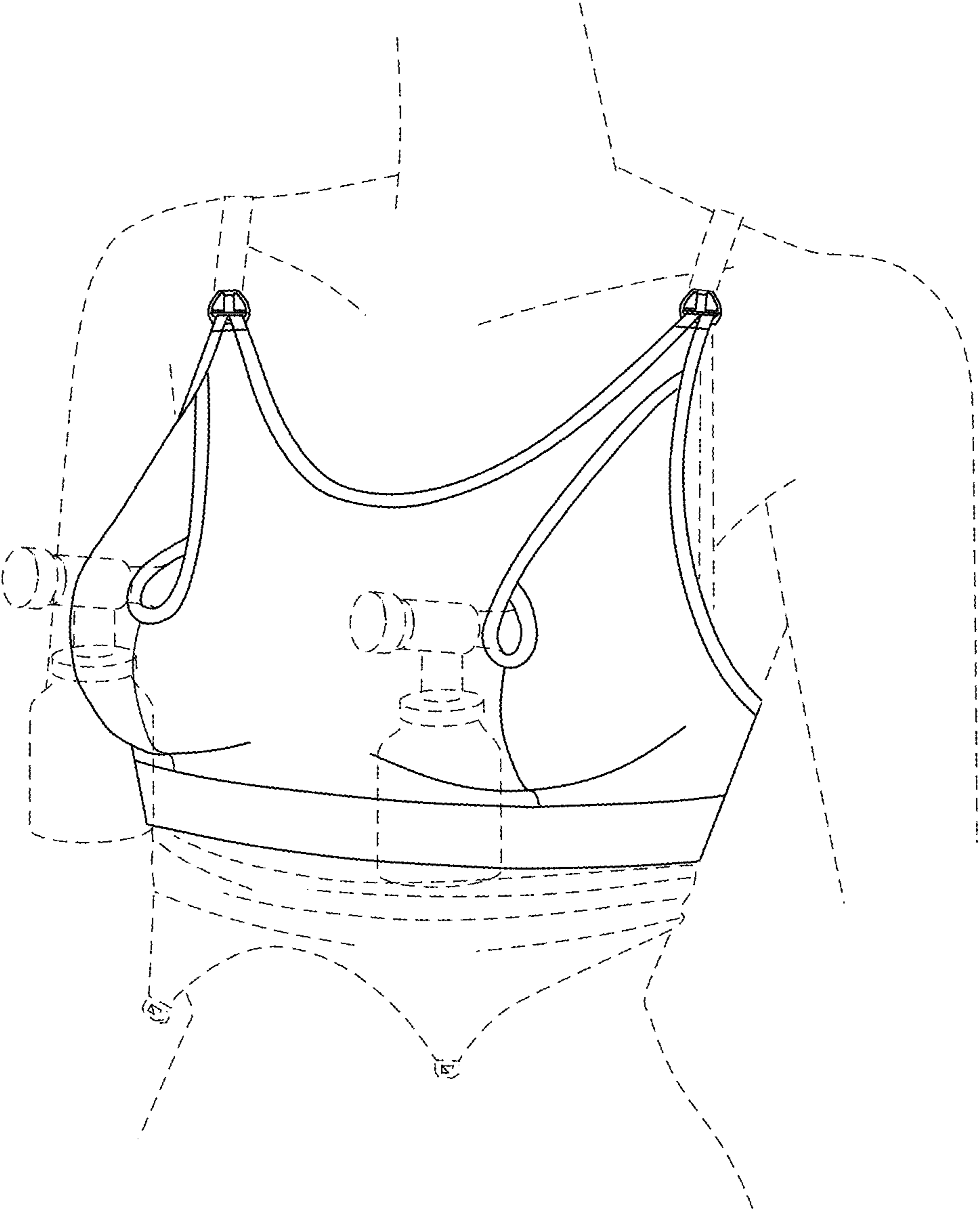


Fig. 2

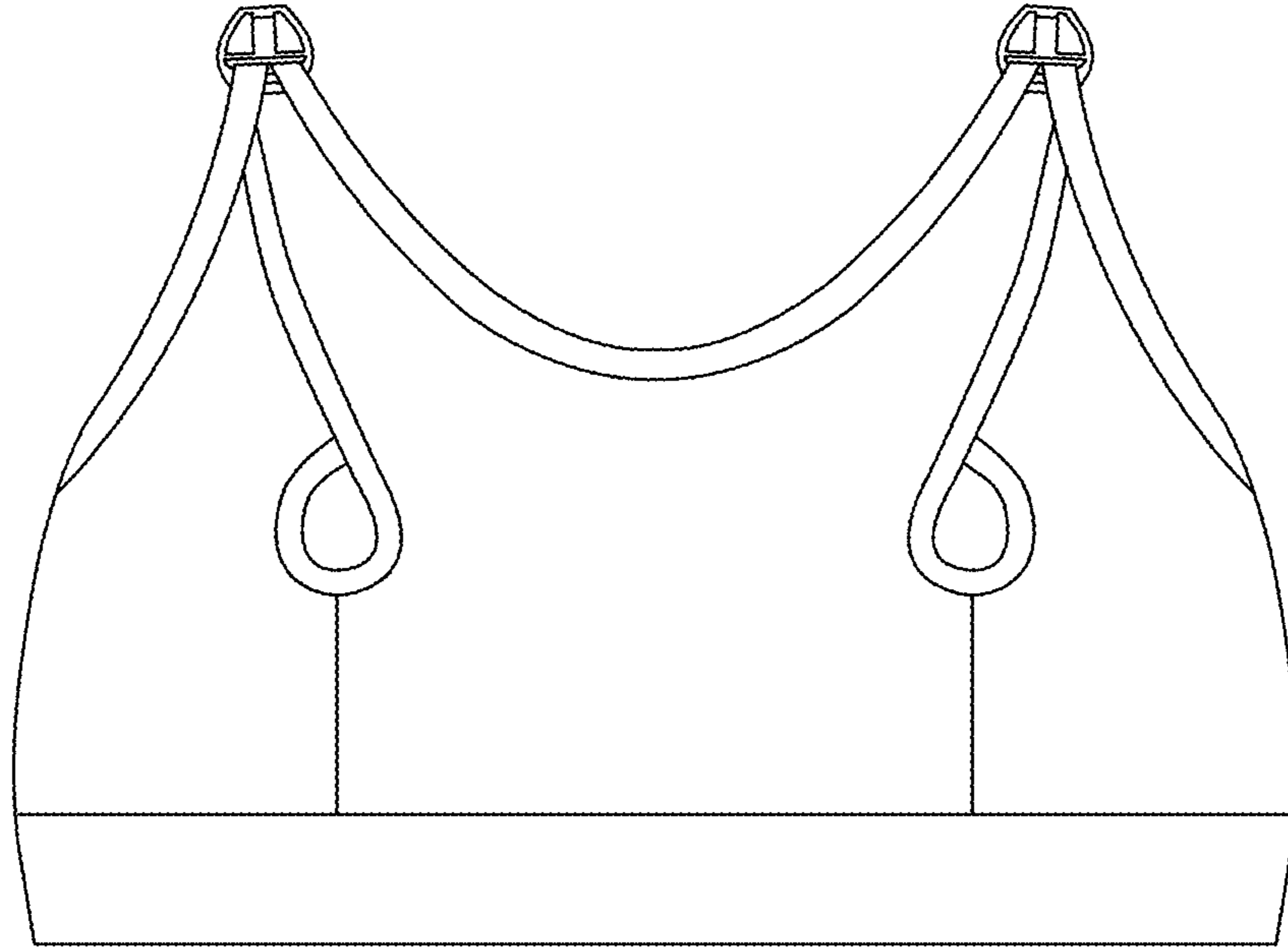


Fig. 3

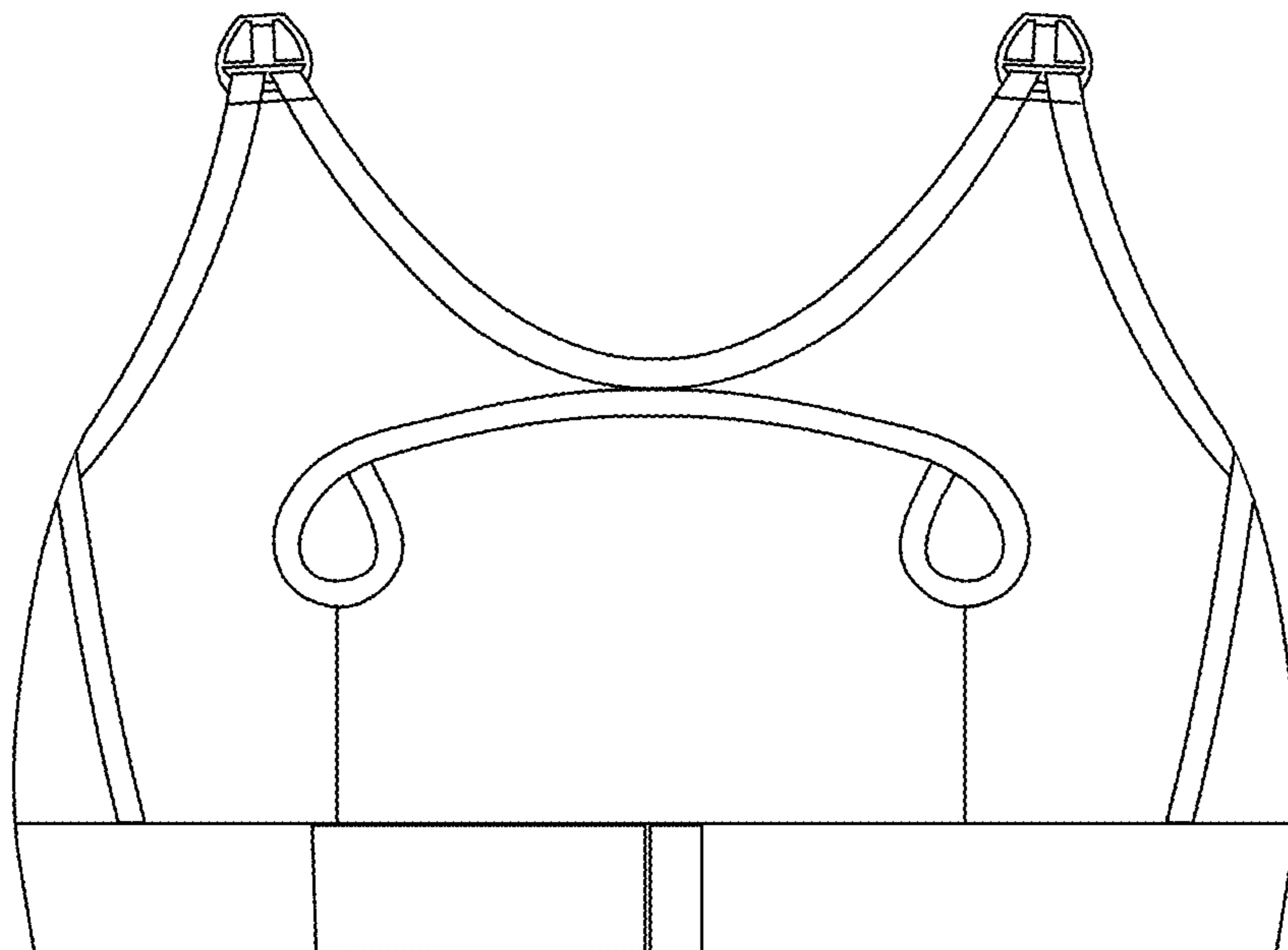


Fig. 4

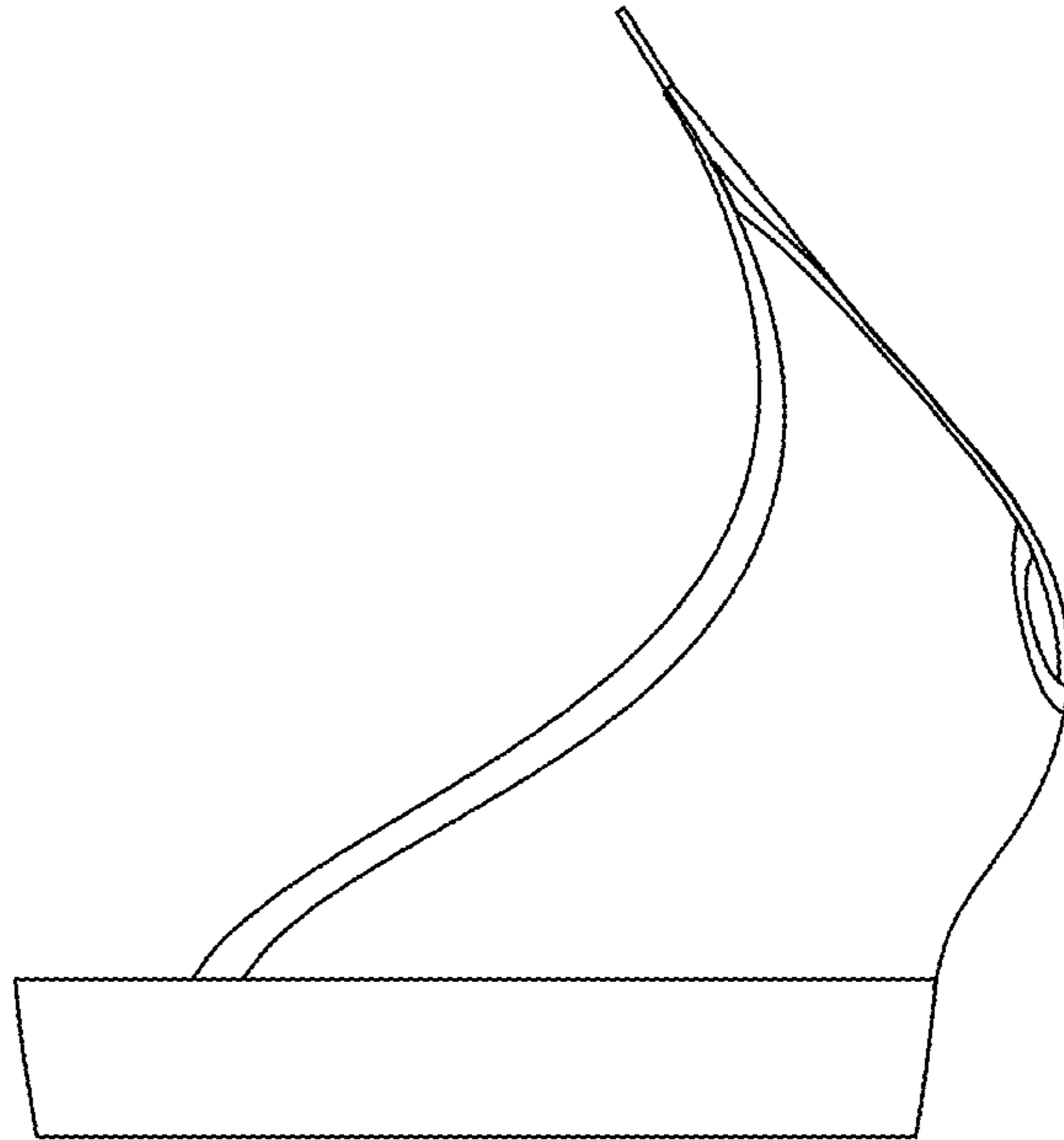


Fig. 5

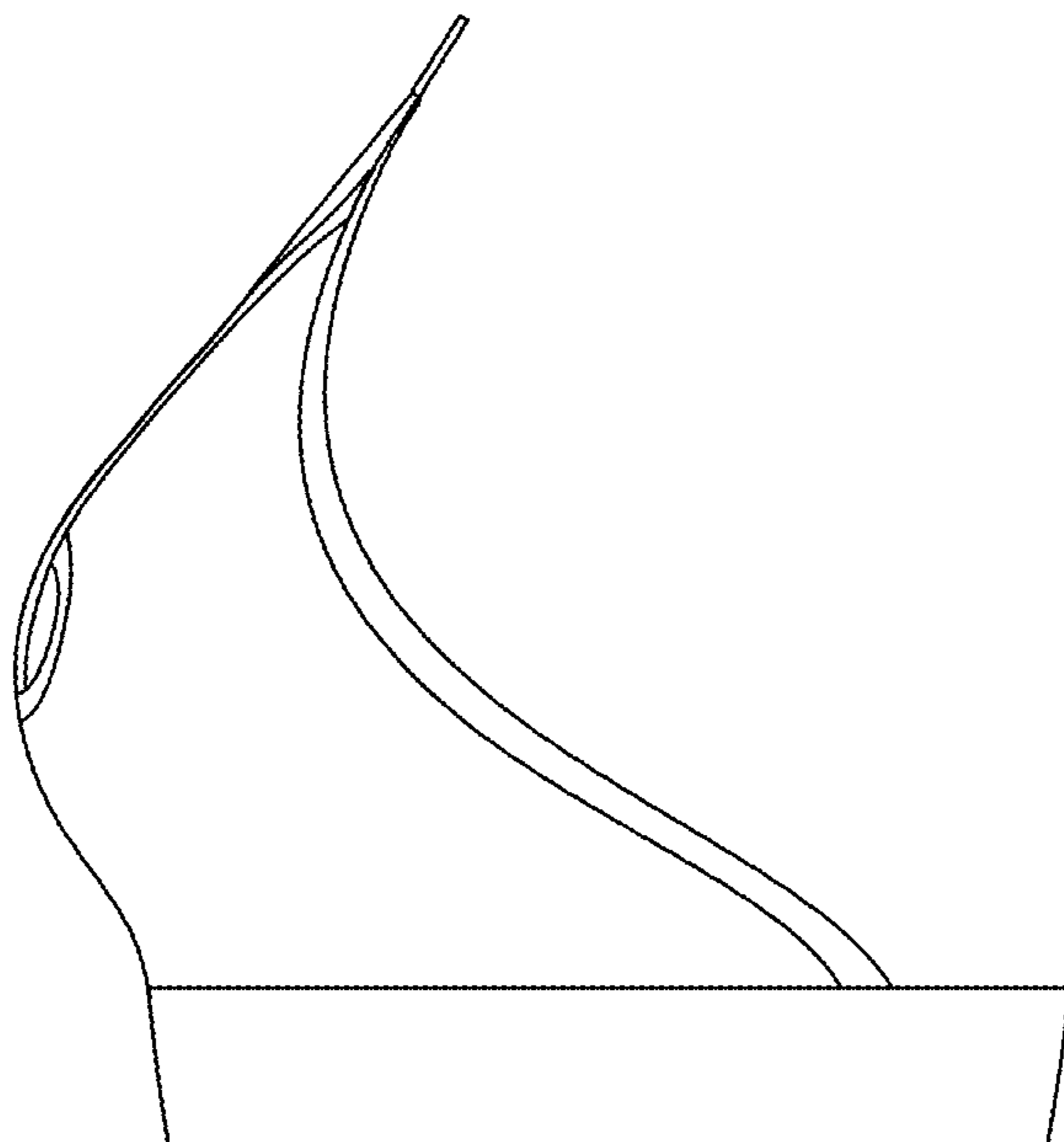


Fig. 6

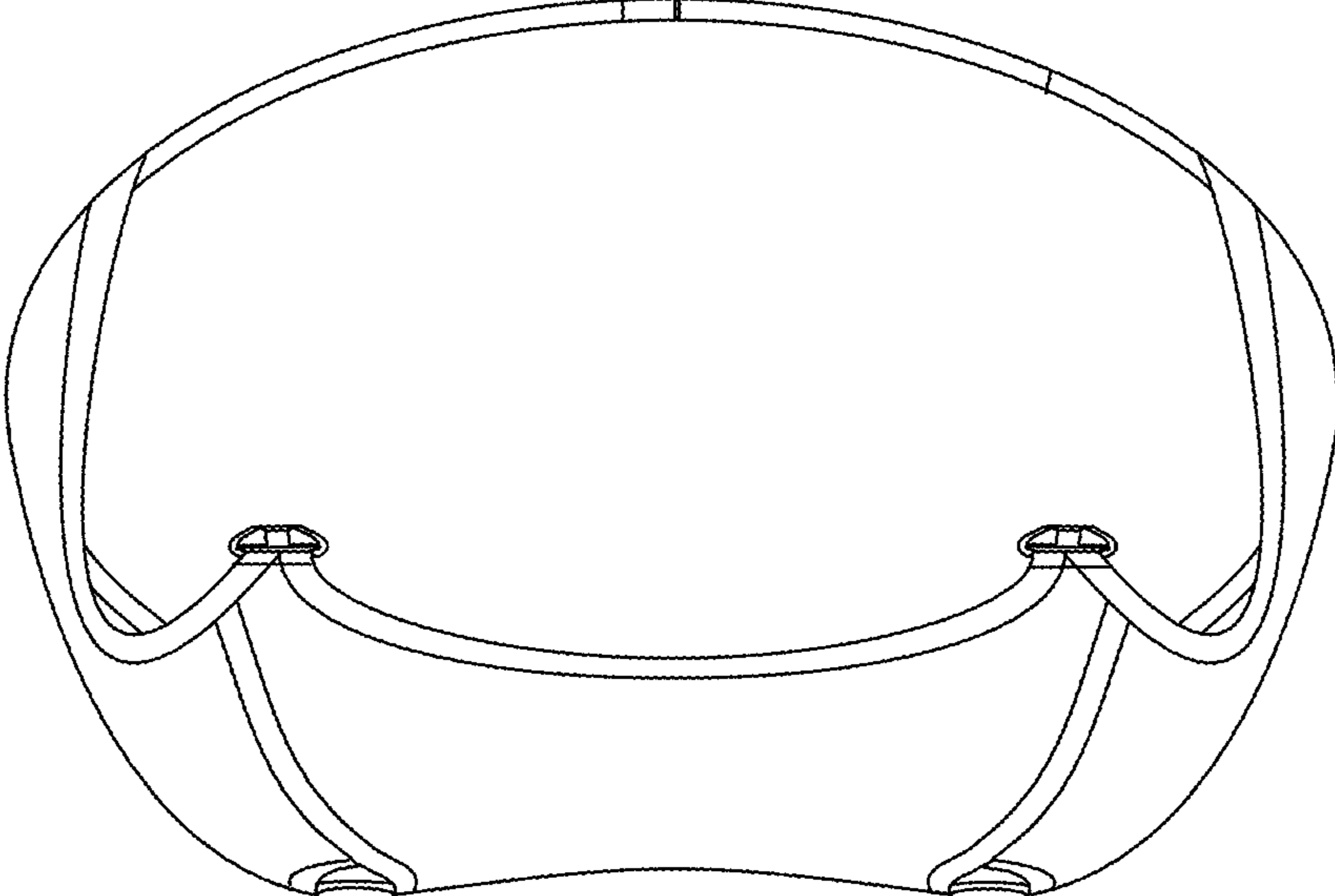


Fig. 7

